



US00D437414S

(12) **United States Design Patent**
Kern et al.

(10) **Patent No.:** **US D437,414 S**

(45) **Date of Patent:** **** Feb. 6, 2001**

(54) **BLOOD PRESSURE MEASURING DEVICE**

(75) Inventors: **Alfred Kern**, Inning a.A.; **Roland Schirmacher**, Graefelfing, both of (DE)

(73) Assignee: **Microlife Investments Corporation** (TW)

(**) Term: **14 Years**

(21) Appl. No.: **29/122,262**

(22) Filed: **Apr. 25, 2000**

Related U.S. Application Data

(63) Continuation of application No. 09/369,198, filed on Aug. 6, 1999.

(51) **LOC (7) Cl.** **24-01**

(52) **U.S. Cl.** **D24/165**

(58) **Field of Search** D24/165, 167, D24/169; 600/485, 490, 493, 494, 495, 496

(56) **References Cited**

U.S. PATENT DOCUMENTS

- D. 283,915 * 5/1986 Kosako et al. D24/165
- D. 285,965 * 9/1986 Nishibori et al. D24/165

- D. 286,437 * 10/1986 Nishibori D24/165
- D. 297,081 * 8/1988 Baldree et al. D6/462
- D. 338,271 * 8/1993 Yoshikawa et al. D24/165
- D. 344,338 * 2/1994 Yoshikawa et al. D24/165
- D. 403,770 * 1/1999 Ozaki et al. D24/165
- 4,458,690 * 7/1984 O'Connor et al. 600/494
- 4,558,707 * 12/1985 Miyamae et al. 128/683

* cited by examiner

Primary Examiner—Stella Reid

(74) *Attorney, Agent, or Firm*—Shoemaker and Mattare, Ltd

(57) **CLAIM**

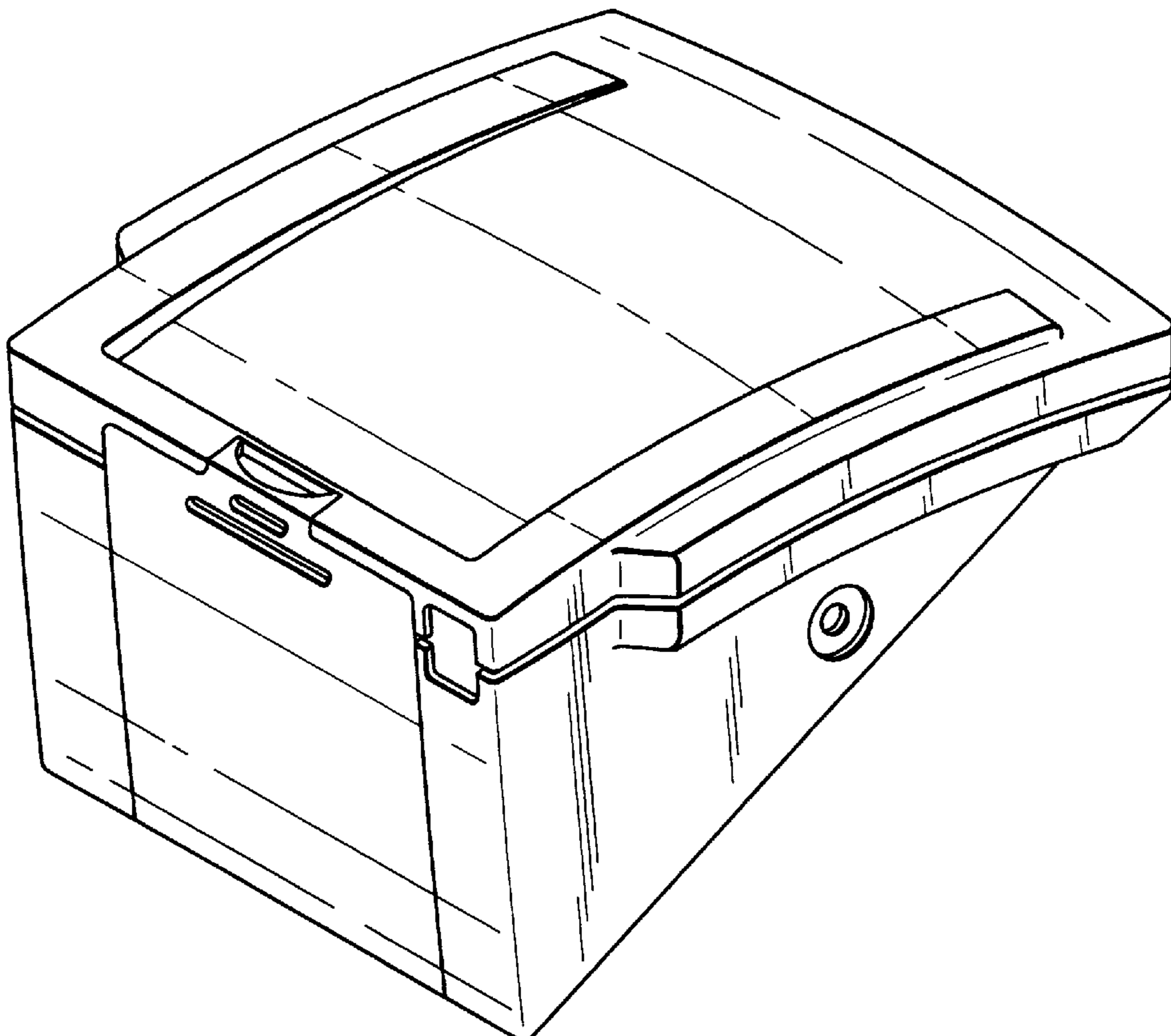
The ornamental design for a blood pressure measuring device, as shown and described.

DESCRIPTION

FIG. 1 is perspective view, from the front and above, of a blood pressure measuring device, showing our new design; FIG. 2 is a right side elevation thereof, the left side being a mirror image of FIG. 2; and, FIG. 3 is a perspective view of the device, from the right and above.

The surfaces not shown or portions of the article not shown in the drawing or described in the specification form no part of the claimed design.

1 Claim, 2 Drawing Sheets



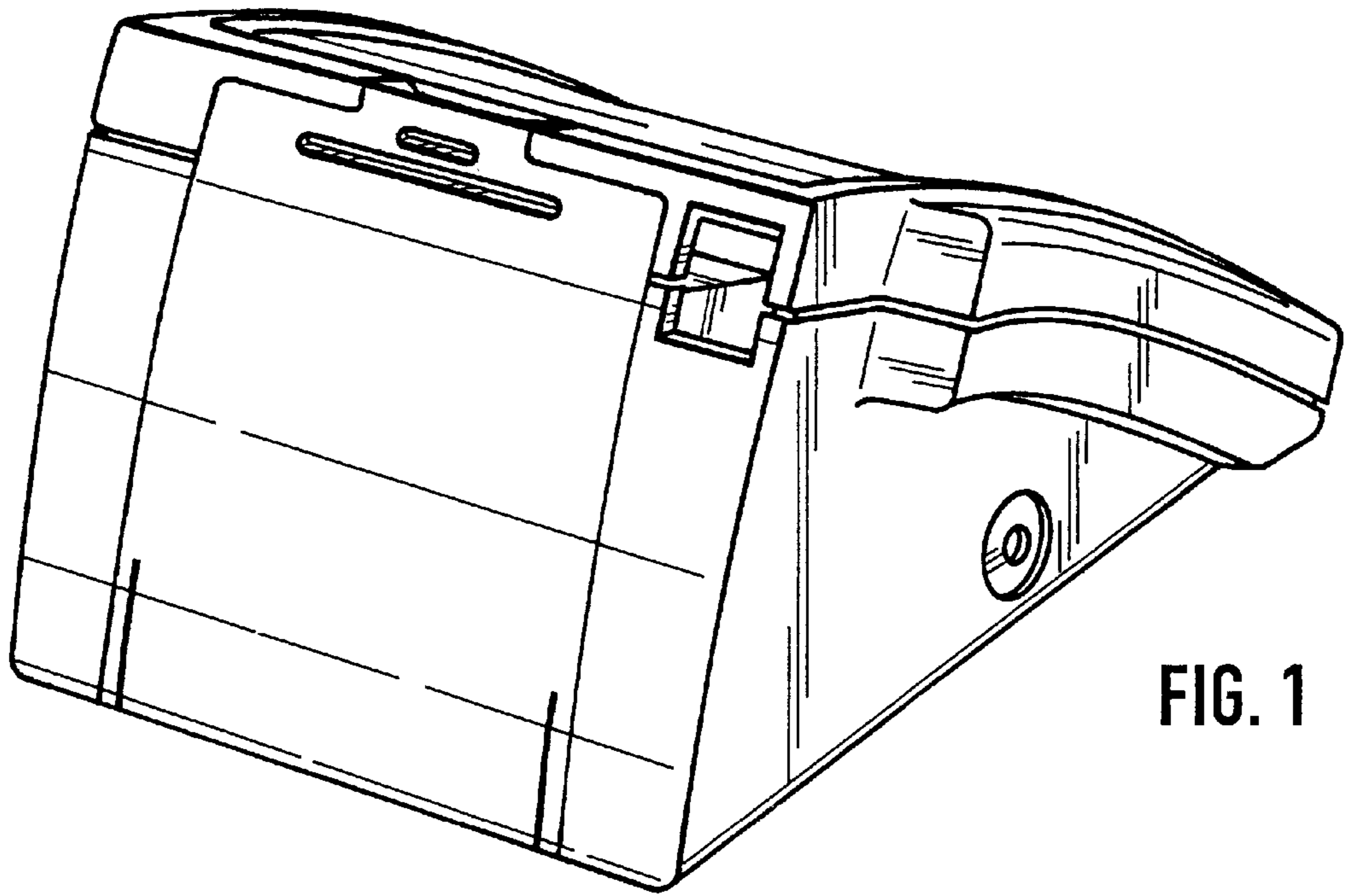


FIG. 1

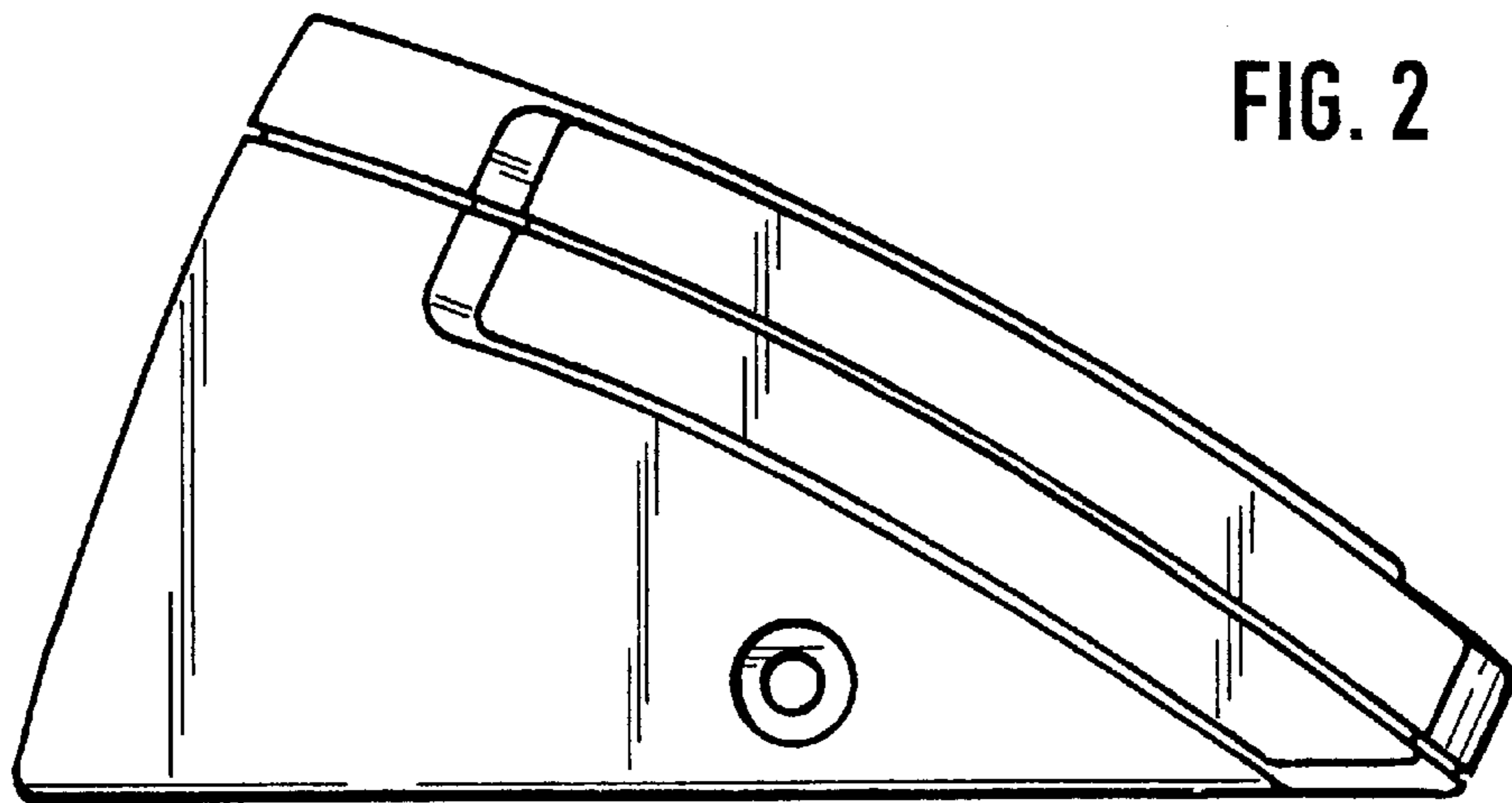


FIG. 2

Fig. 3

