



US00D437403S

(12) **United States Design Patent**
Liou

(10) **Patent No.:** **US D437,403 S**

(45) **Date of Patent:** **** Feb. 6, 2001**

(54) **OZONE GENERATOR**

(75) Inventor: **Huei Tarng Liou, Taipei Hsien (TW)**

(73) Assignee: **Airtree Ozone Technology Co., Taipei Hsien (TW)**

(**) Term: **14 Years**

(21) Appl. No.: **29/125,605**

(22) Filed: **Jun. 27, 2000**

(51) **LOC (7) Cl.** **23-04**

(52) **U.S. Cl.** **D23/366**

(58) **Field of Search** **D23/355, 366-369;**
96/15

(56) **References Cited**

U.S. PATENT DOCUMENTS

D. 426,627 * 6/2000 Cho D23/355

* cited by examiner

Primary Examiner—Lisa Lichtenstein

(74) *Attorney, Agent, or Firm*—Rosenberg, Klein & Lee

(57) **CLAIM**

The ornamental design for an ozone generator, as shown and described.

DESCRIPTION

FIG. 1 is a front side elevation view thereof;

FIG. 2 is a left side elevation view thereof;

FIG. 3 is a right side elevation view thereof;

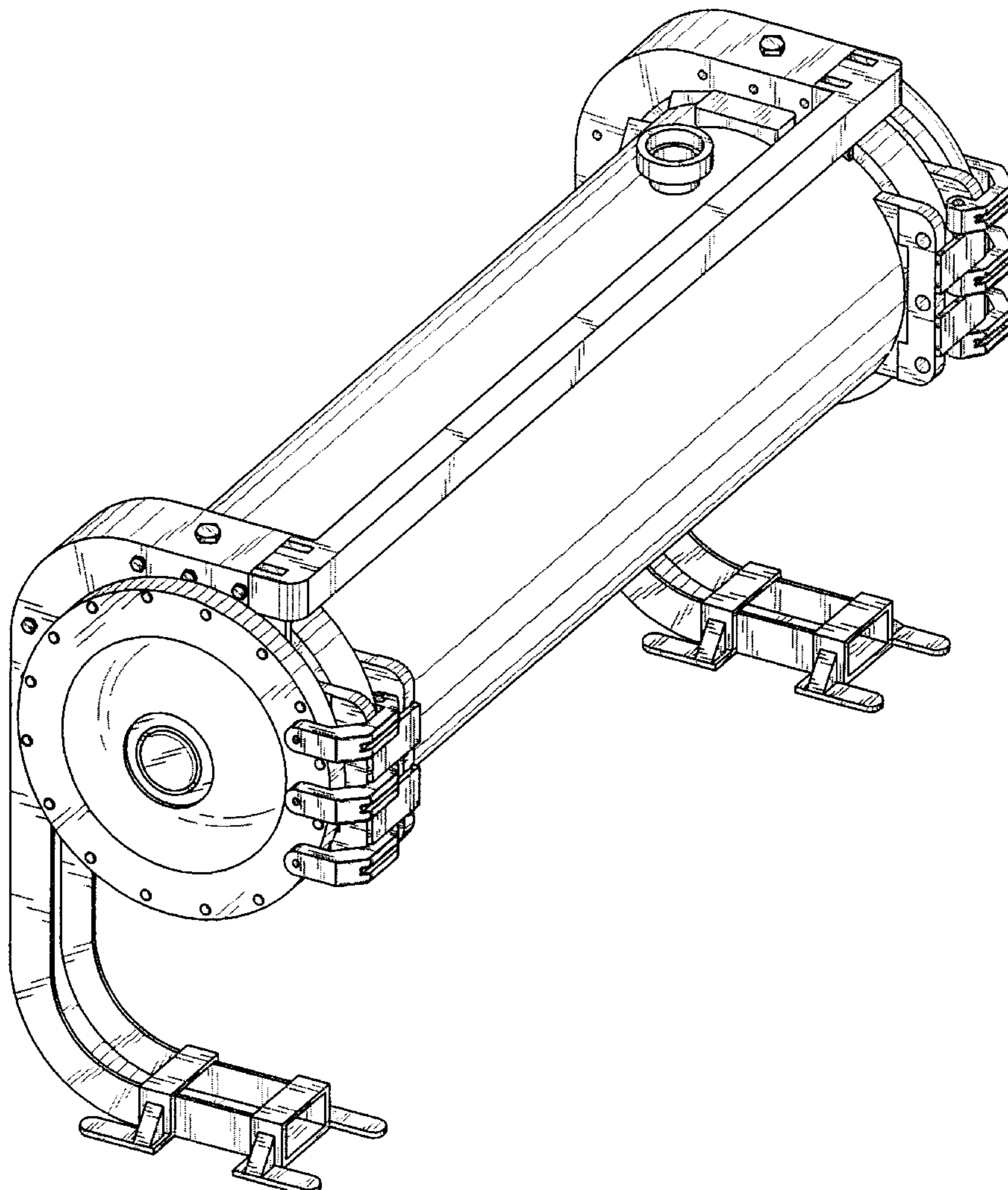
FIG. 4 is a rear side elevation view thereof;

FIG. 5 is a top plan view thereof; and

FIG. 6 is a bottom plan view thereof; and,

FIG. 7 is a perspective view of an ozone generator showing my new design.

1 Claim, 6 Drawing Sheets



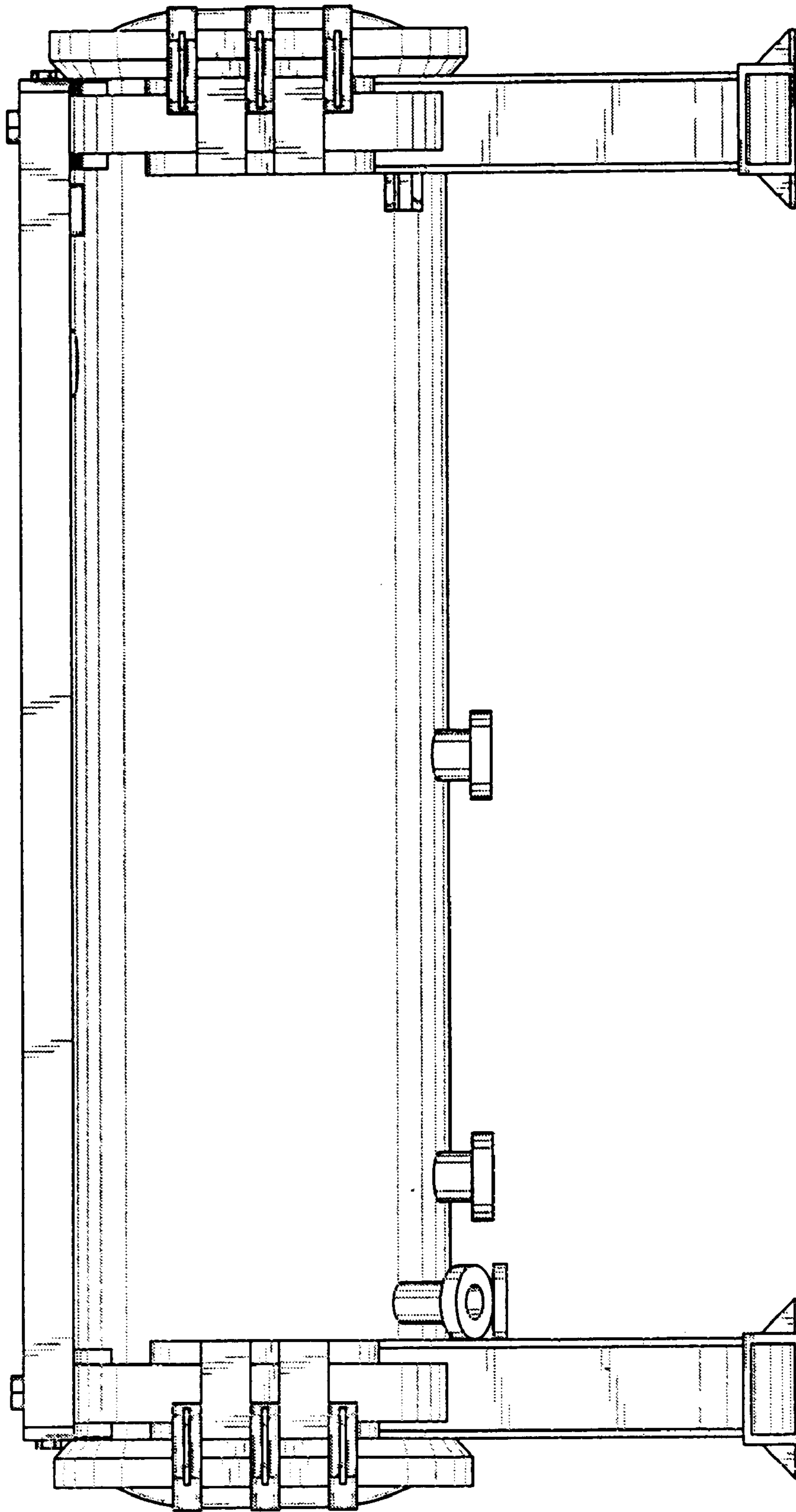


FIG. 1

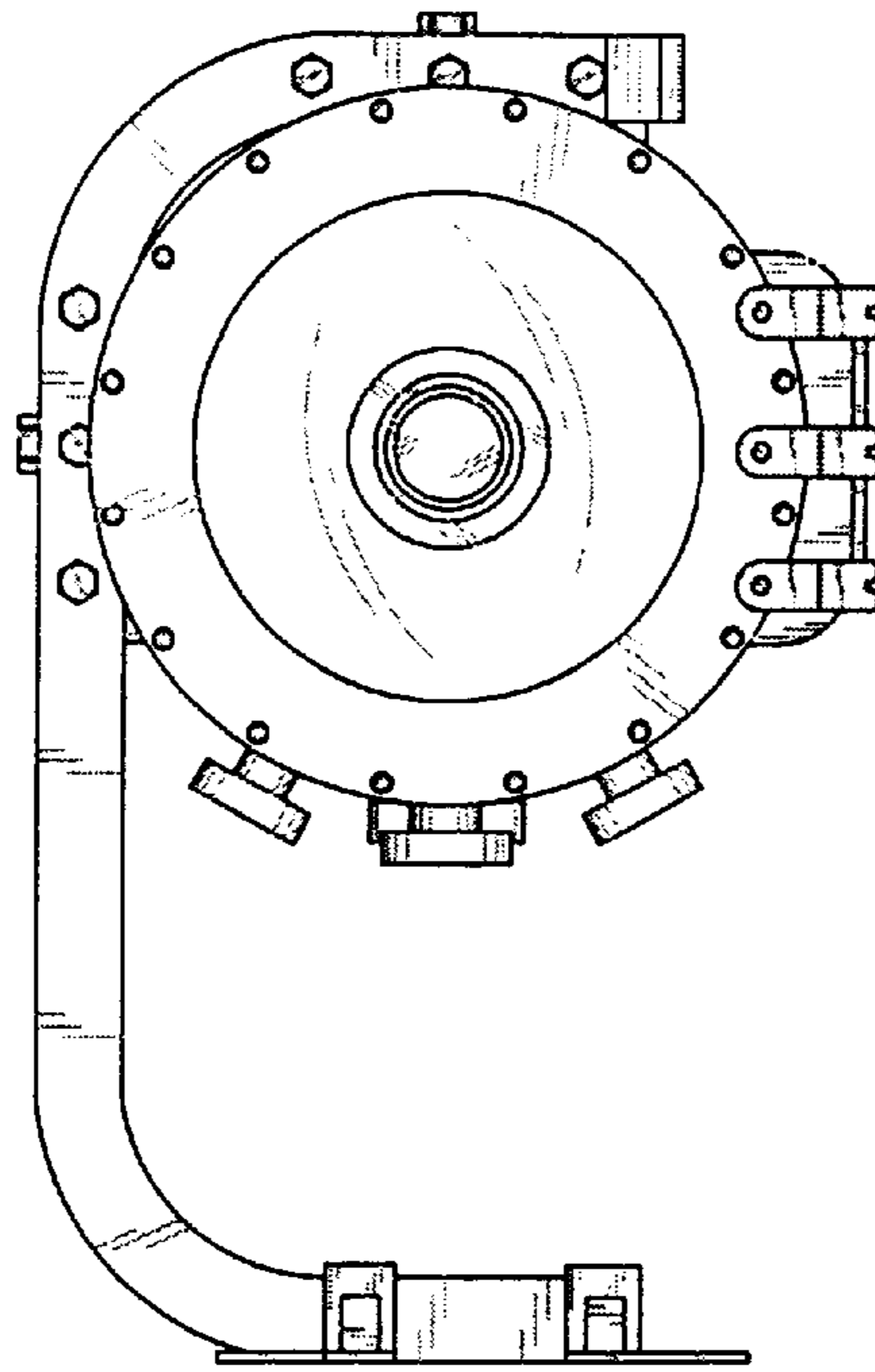


FIG. 2

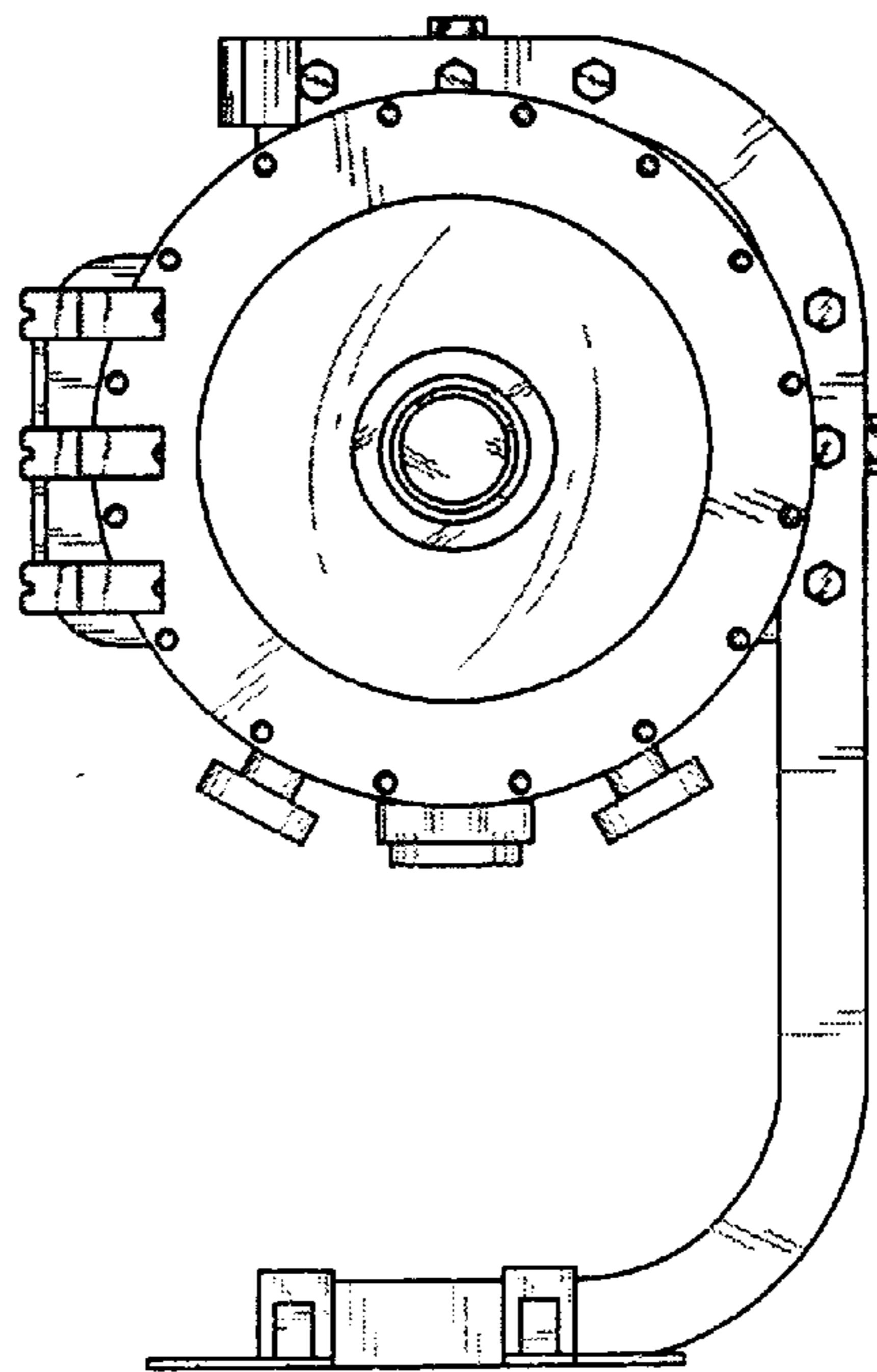


FIG. 3

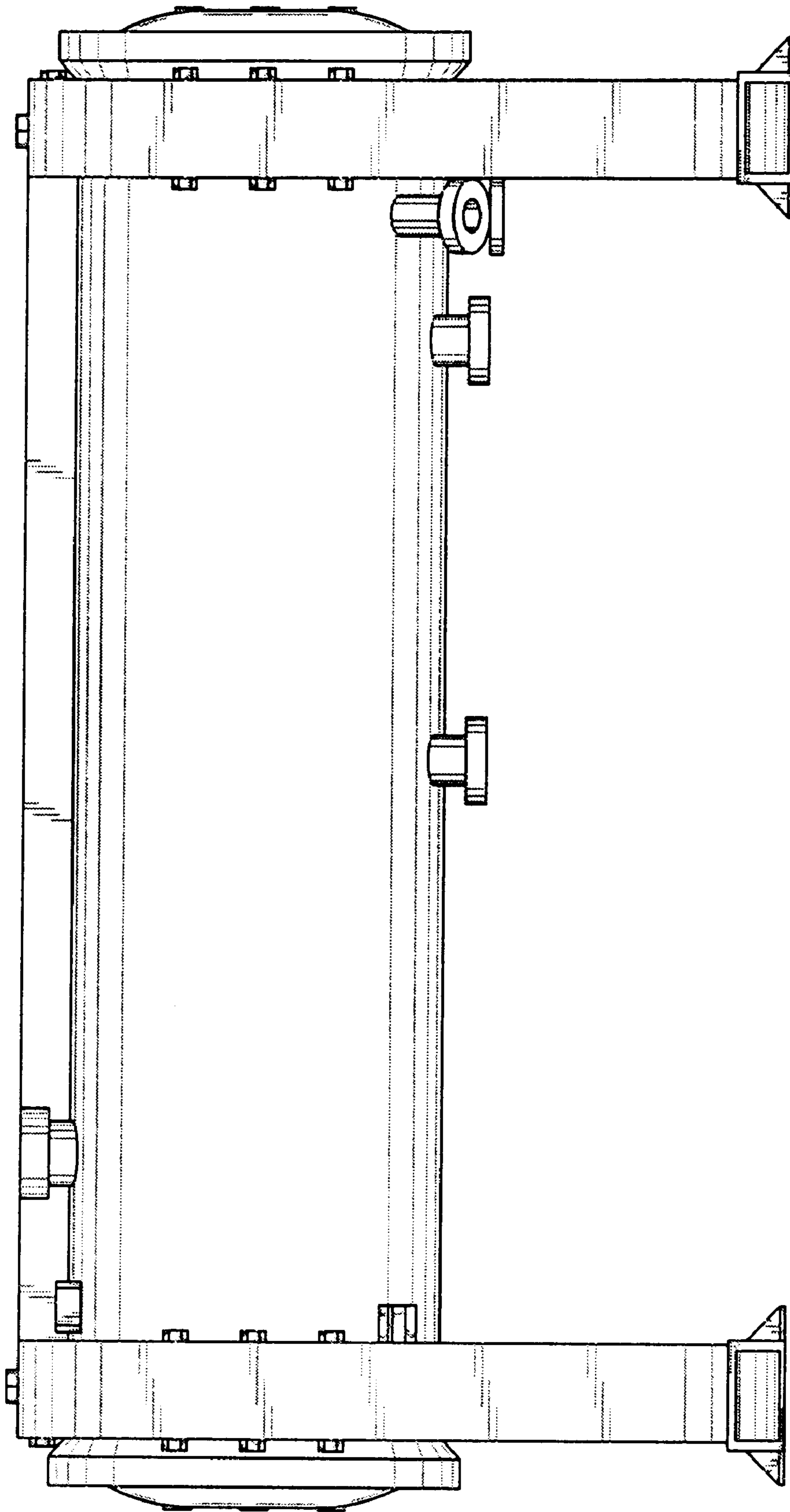


FIG. 4

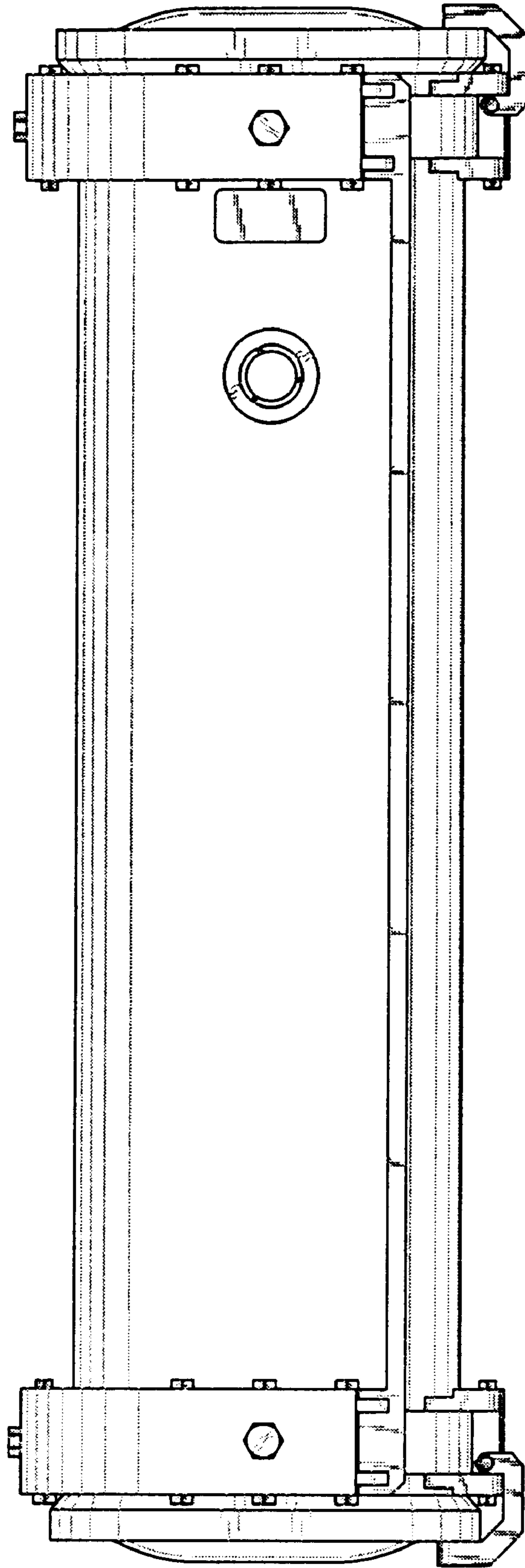


FIG. 5

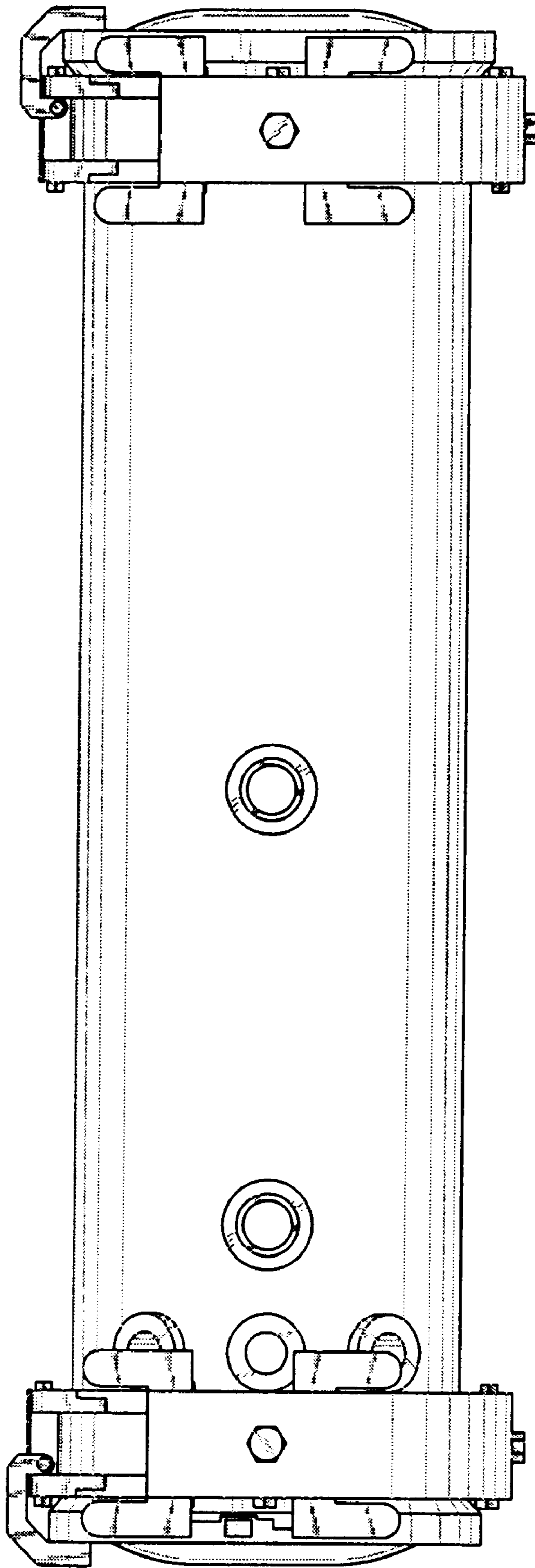


FIG. 6

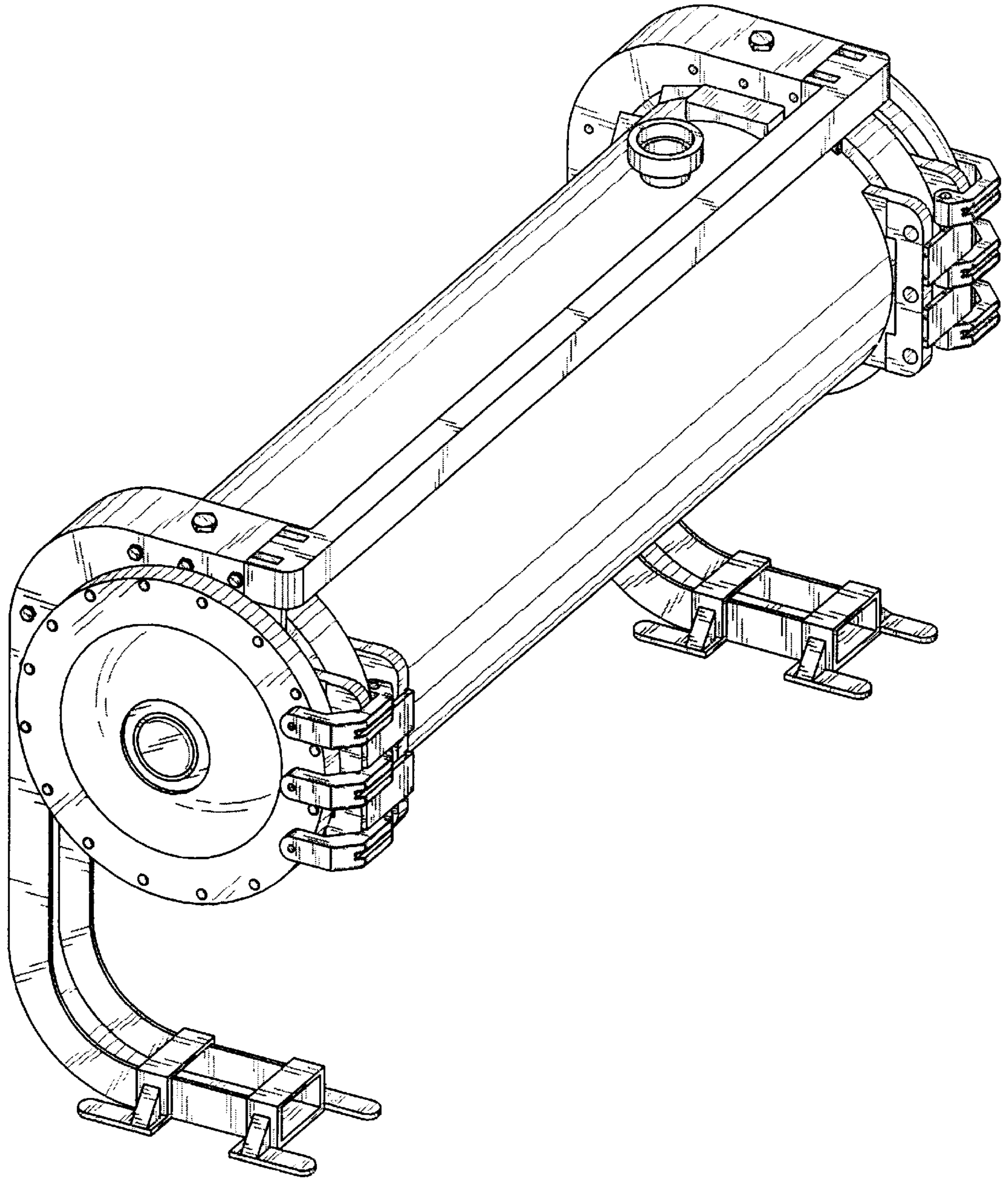


FIG. 7