



US00D437396S

(12) **United States Design Patent**
Flanagan

(10) **Patent No.:** **US D437,396 S**

(45) **Date of Patent:** **** Feb. 6, 2001**

(54) **COVER FOR A TRANSPORT TEMPERATURE CONTROL UNIT**

(75) **Inventor:** **Thomas A. Flanagan**, St. Louis Park, MN (US)

(73) **Assignee:** **Thermo King Corporation**, Minneapolis, MN (US)

(**) **Term:** **14 Years**

(21) **Appl. No.:** **29/118,992**

(22) **Filed:** **Feb. 22, 2000**

Related U.S. Application Data

(62) Division of application No. 29/101,689, filed on Mar. 9, 1999, now Pat. No. Des. 428,480.

(51) **LOC (7) Cl.** **12-16**

(52) **U.S. Cl.** **D23/325**

(58) **Field of Search** D23/324, 325; D12/181; 62/239, 259.1, 263; 296/180.4

(56) **References Cited**

U.S. PATENT DOCUMENTS

D. 258,234 * 2/1981 Anderson et al. .

D. 287,619 * 1/1987 Allard et al. .
D. 343,894 * 2/1994 Anderson et al. D23/325
5,678,572 * 10/1997 Colton 62/239
5,916,253 * 6/1999 Amr et al. 62/259.1
5,927,090 * 7/1999 Lodendorf 62/239

* cited by examiner

Primary Examiner—B. J. Bullock

(74) *Attorney, Agent, or Firm*—Michael M. Gnibus

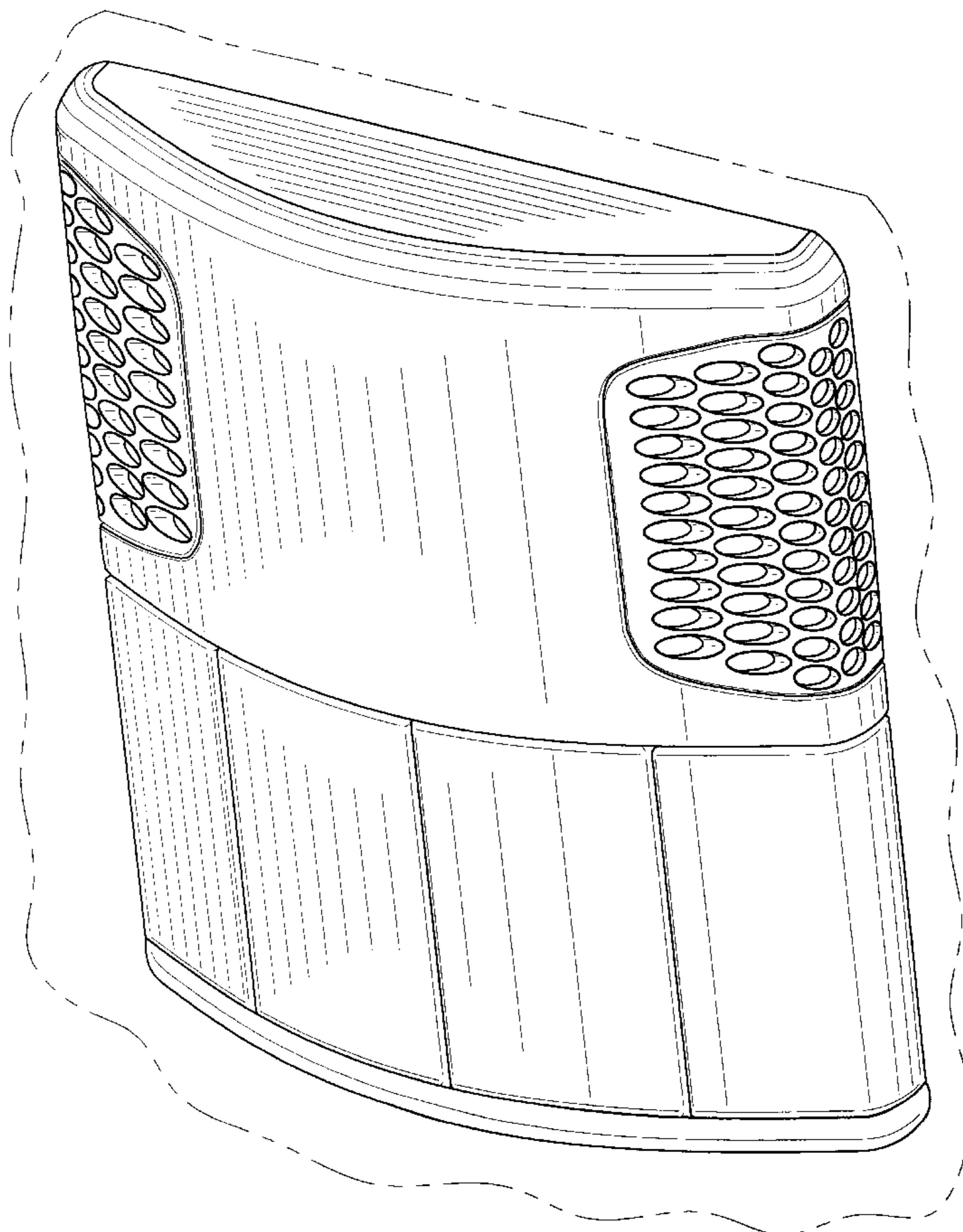
(57) **CLAIM**

The ornamental design for a cover for a transport temperature control unit, as shown and described.

DESCRIPTION

FIG. 1 is a perspective view of a cover for a transport temperature control unit showing my new design; FIG. 2 is a front elevational view thereof; FIG. 3 is a top plan view thereof; FIG. 4 is a bottom plan view thereof; FIG. 5 is a left side elevational view thereof; and, FIG. 6 is a right side elevational view thereof. The fragmentary broken line representations of the front of a trailer in FIG. 1 are for illustrative purposes only, and form no part of the claimed design.

1 Claim, 4 Drawing Sheets



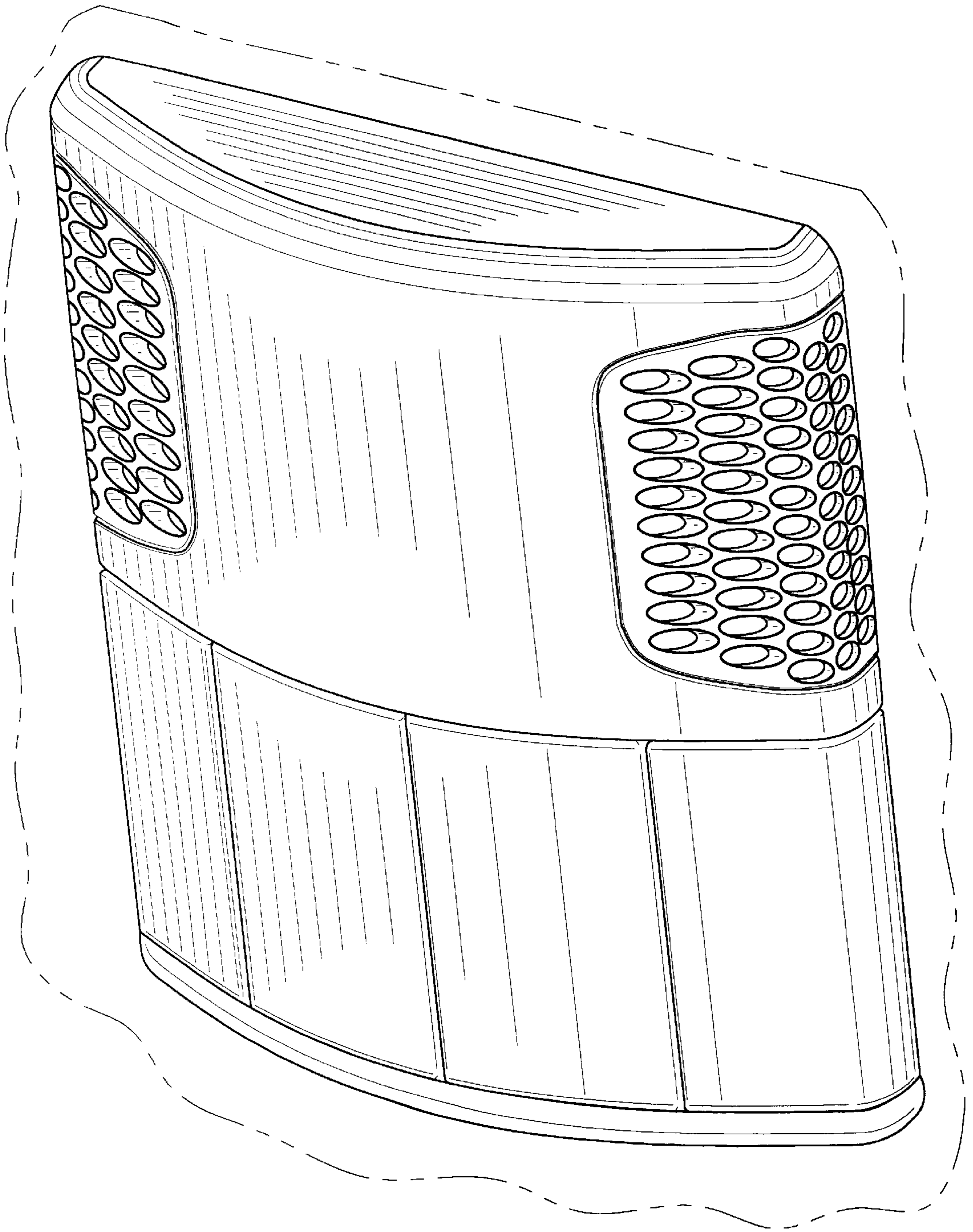


Fig. 1

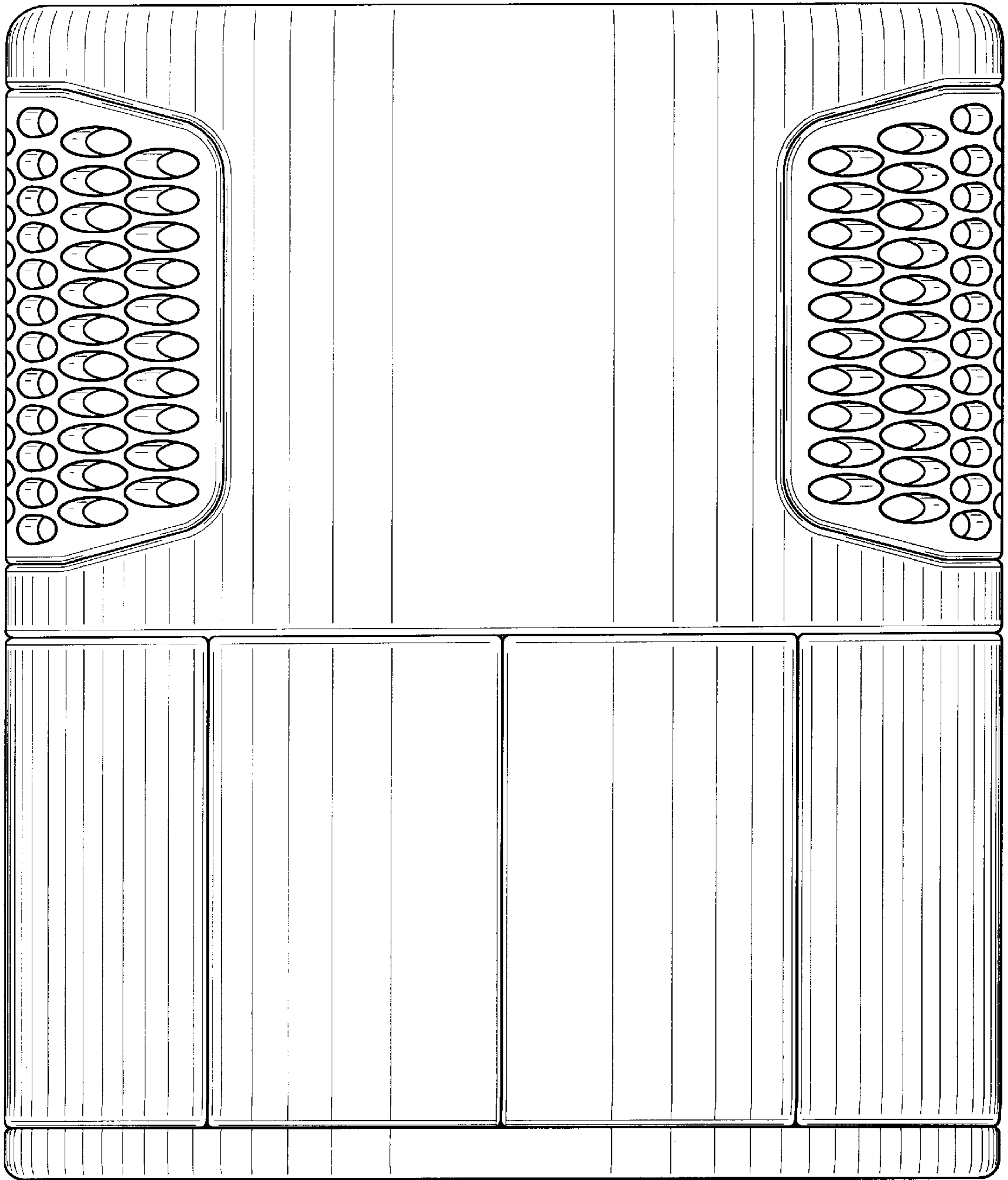


Fig. 2

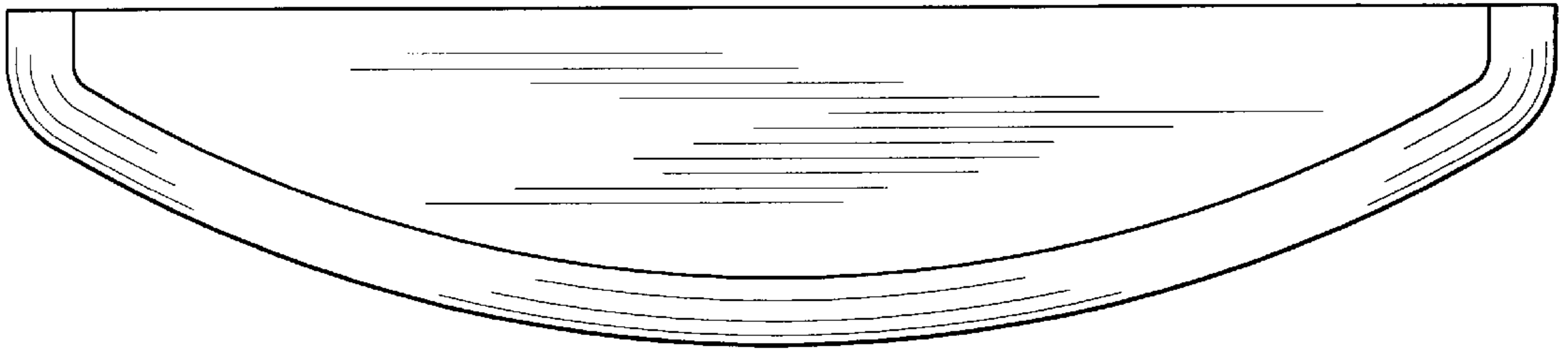


Fig. 3

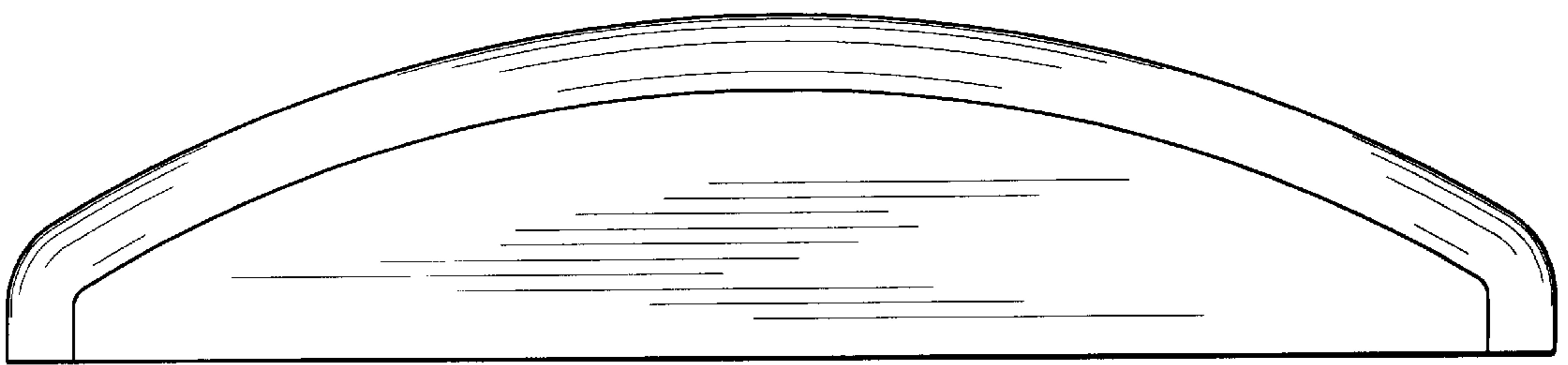


Fig. 4

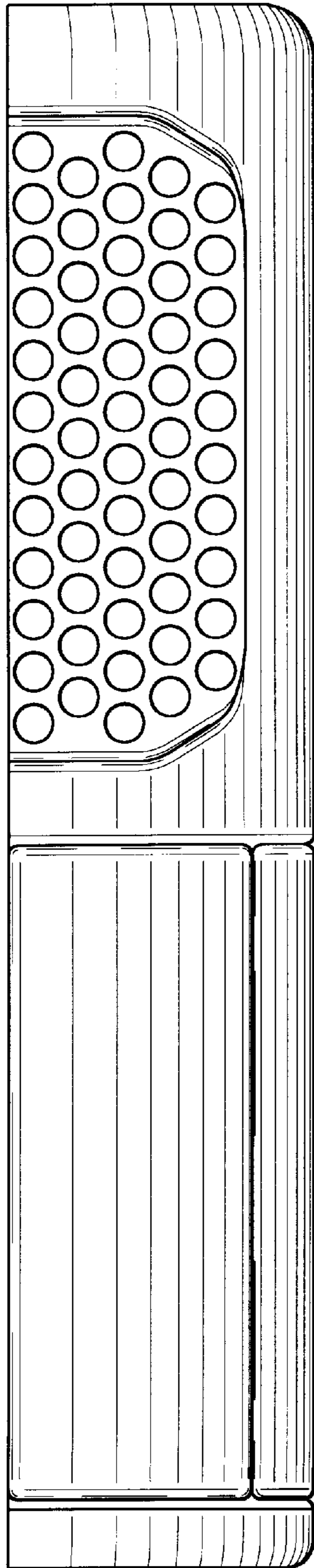


Fig. 5

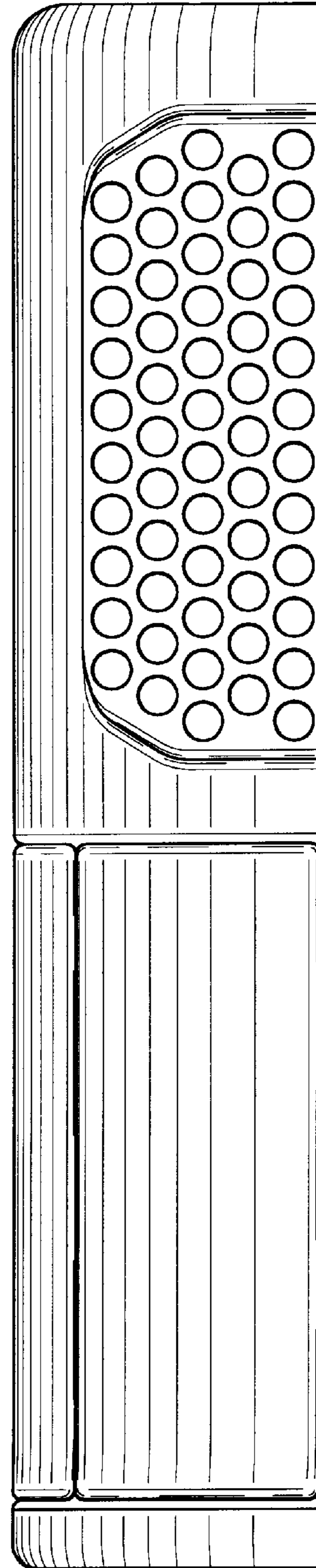


Fig. 6