



US00D437394S

(12) **United States Design Patent**
Mark et al.

(10) **Patent No.:** **US D437,394 S**

(45) **Date of Patent:** **** Feb. 6, 2001**

(54) **FAUCET**

(75) **Inventors:** **Darren M. Mark**, Valencia; **Alvin Tolosa**, Ventura City, both of CA (US)

(73) **Assignee:** **Emhart Inc.**, Newark, DE (US)

(**) **Term:** **14 Years**

(21) **Appl. No.:** **29/092,124**

(22) **Filed:** **Aug. 12, 1998**

(51) **LOC (7) Cl.** **23-01**

(52) **U.S. Cl.** **D23/238**

(58) **Field of Search** D23/238-243,
D23/250-257; 4/675-678; 137/801

(56) **References Cited**

U.S. PATENT DOCUMENTS

D. 281,096	10/1985	Arnold et al. .	
D. 285,106	8/1986	Yost .	
D. 314,040	1/1991	Heieck .	
D. 318,906	8/1991	Spangler .	
D. 326,897	* 6/1992	Williams	D23/238
D. 331,276	11/1992	Knapp .	
D. 337,812	* 7/1993	Bray	D23/238
D. 366,098	1/1996	Gottwald .	
D. 373,177	8/1996	Jans .	
D. 376,413	* 12/1996	Kergoet	D23/238

D. 377,517	1/1997	Doughty et al. .	
D. 391,351	2/1998	Ko .	
D. 412,025	* 7/1999	Mark et al.	D23/238
D. 424,663	* 5/2000	Mark et al.	D23/238

* cited by examiner

Primary Examiner—Louis S. Zarfes

Assistant Examiner—Gregory Andoll

(74) *Attorney, Agent, or Firm*—Harold Weinstein; John D. Del Ponti

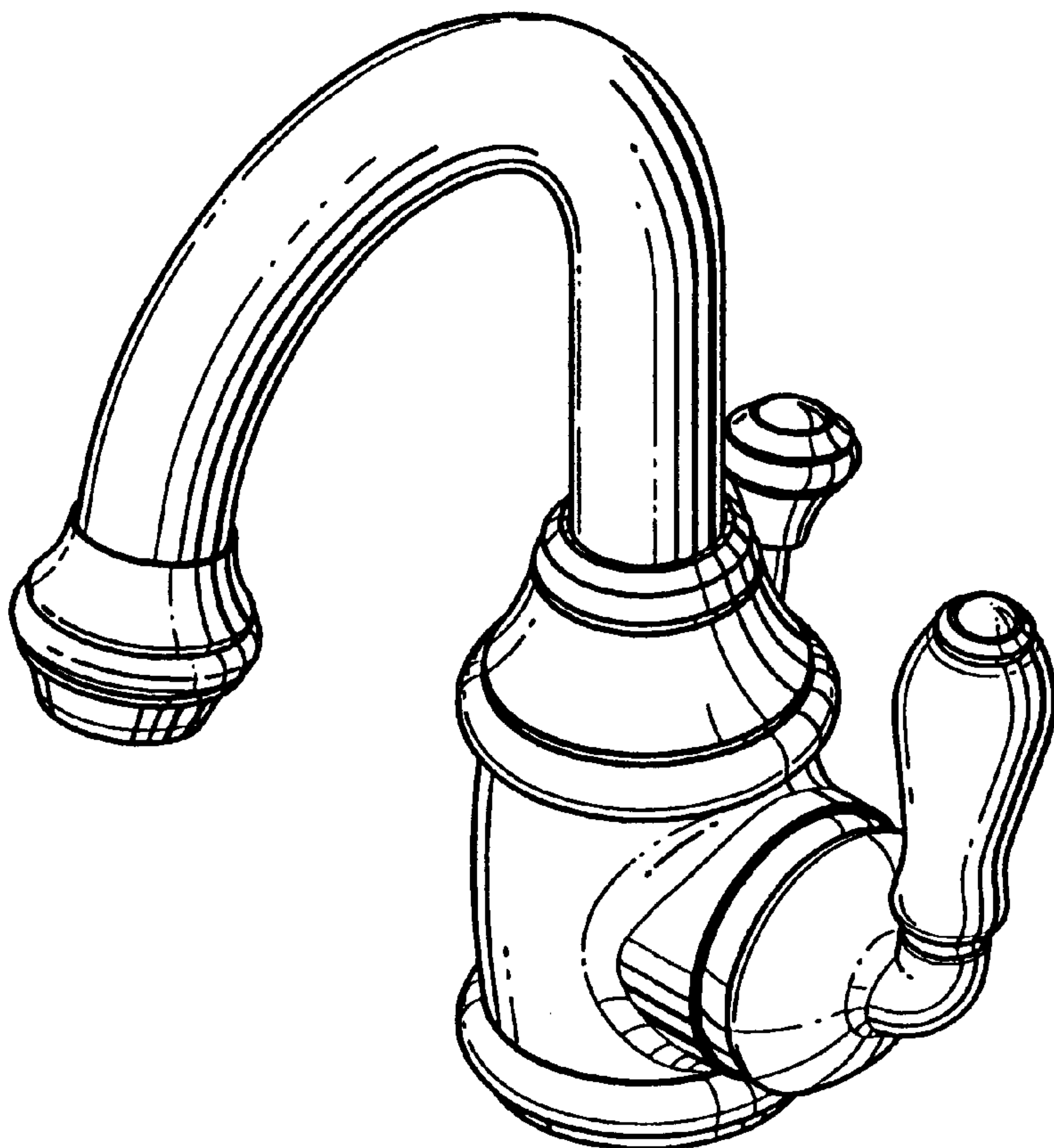
(57) **CLAIM**

The ornamental design for a faucet, as shown and described.

DESCRIPTION

FIG. 1 is a perspective view of our new design of a faucet;
 FIG. 2 is a left elevational view of our new design of the faucet;
 FIG. 3 is a right elevational view of our new design of the faucet;
 FIG. 4 is a front elevational view of our new design of the faucet;
 FIG. 5 is a rear elevational view of our new design of the faucet;
 FIG. 6 is a top plan view of our new design of the faucet;
 and,
 FIG. 7 is a bottom plan view of our new design of the faucet.

1 Claim, 4 Drawing Sheets



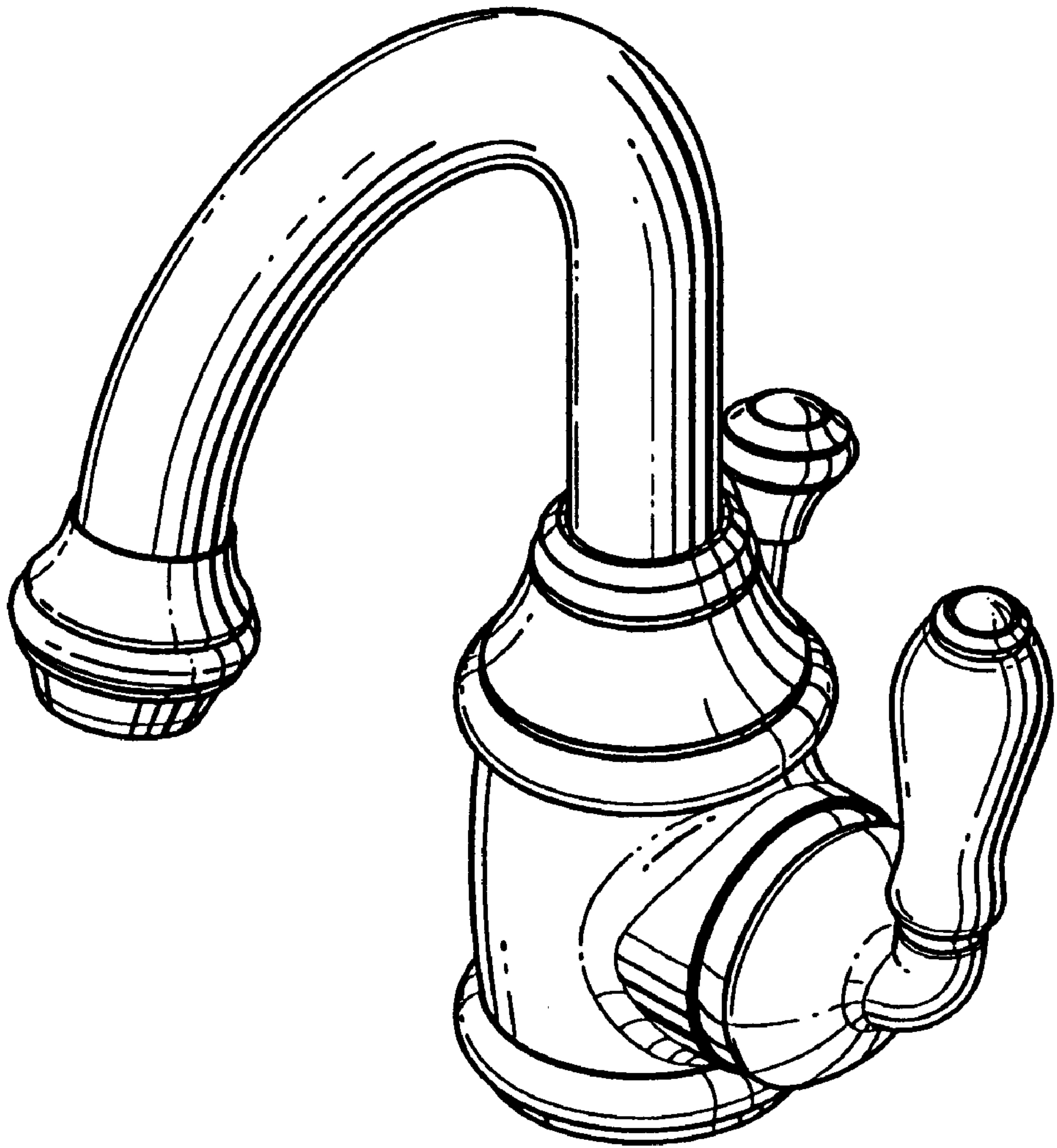


FIG. 1

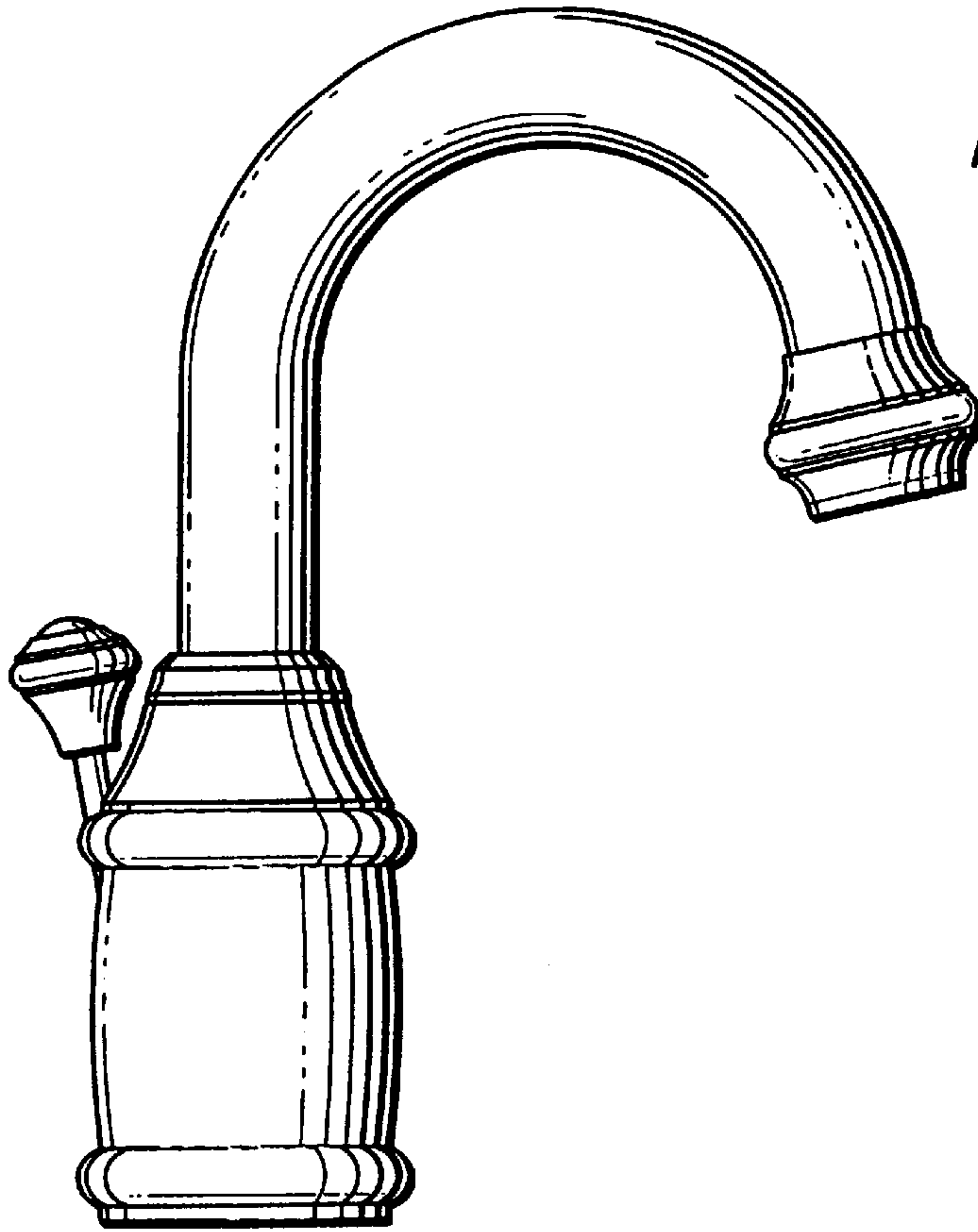


FIG. 2

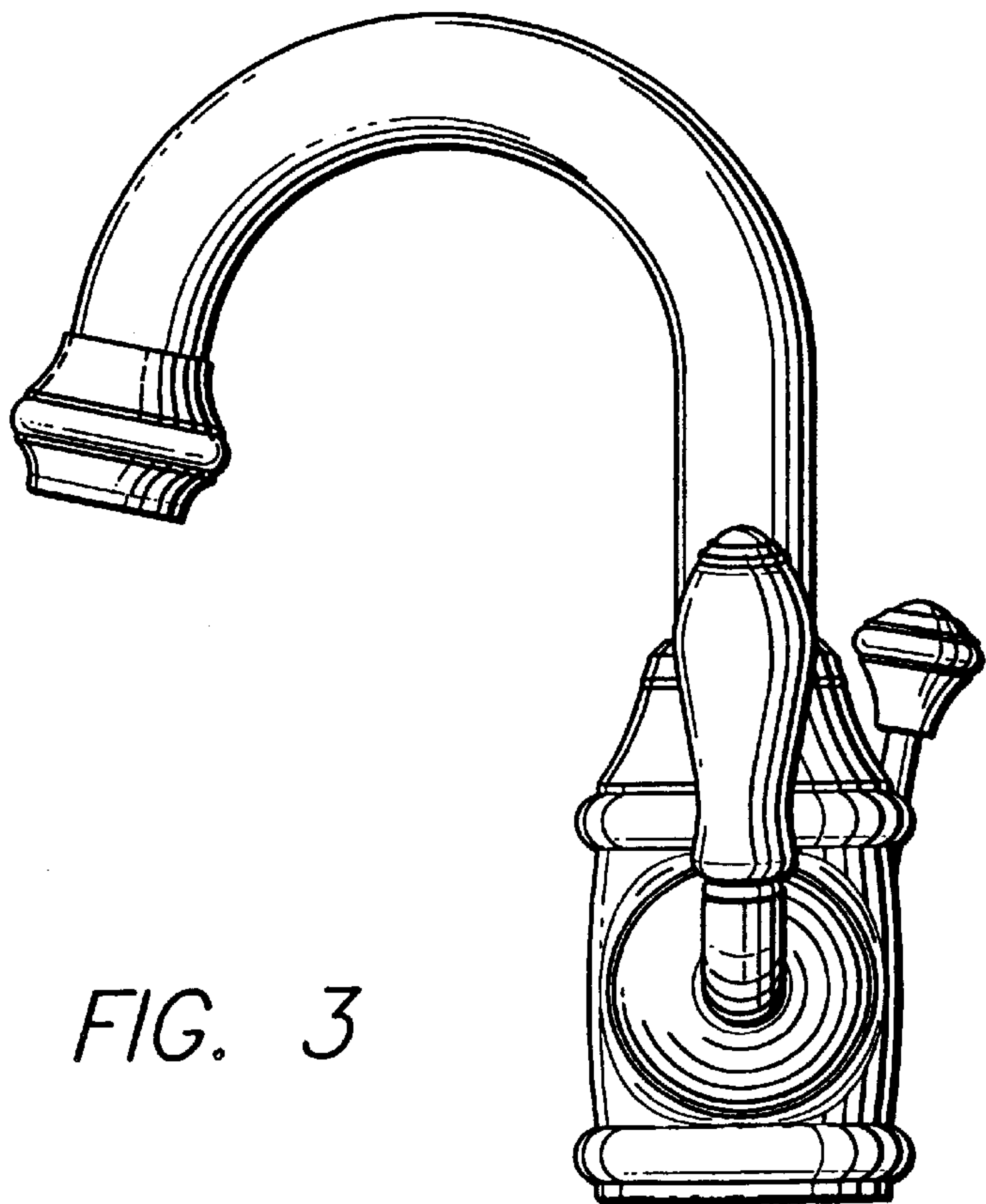


FIG. 3

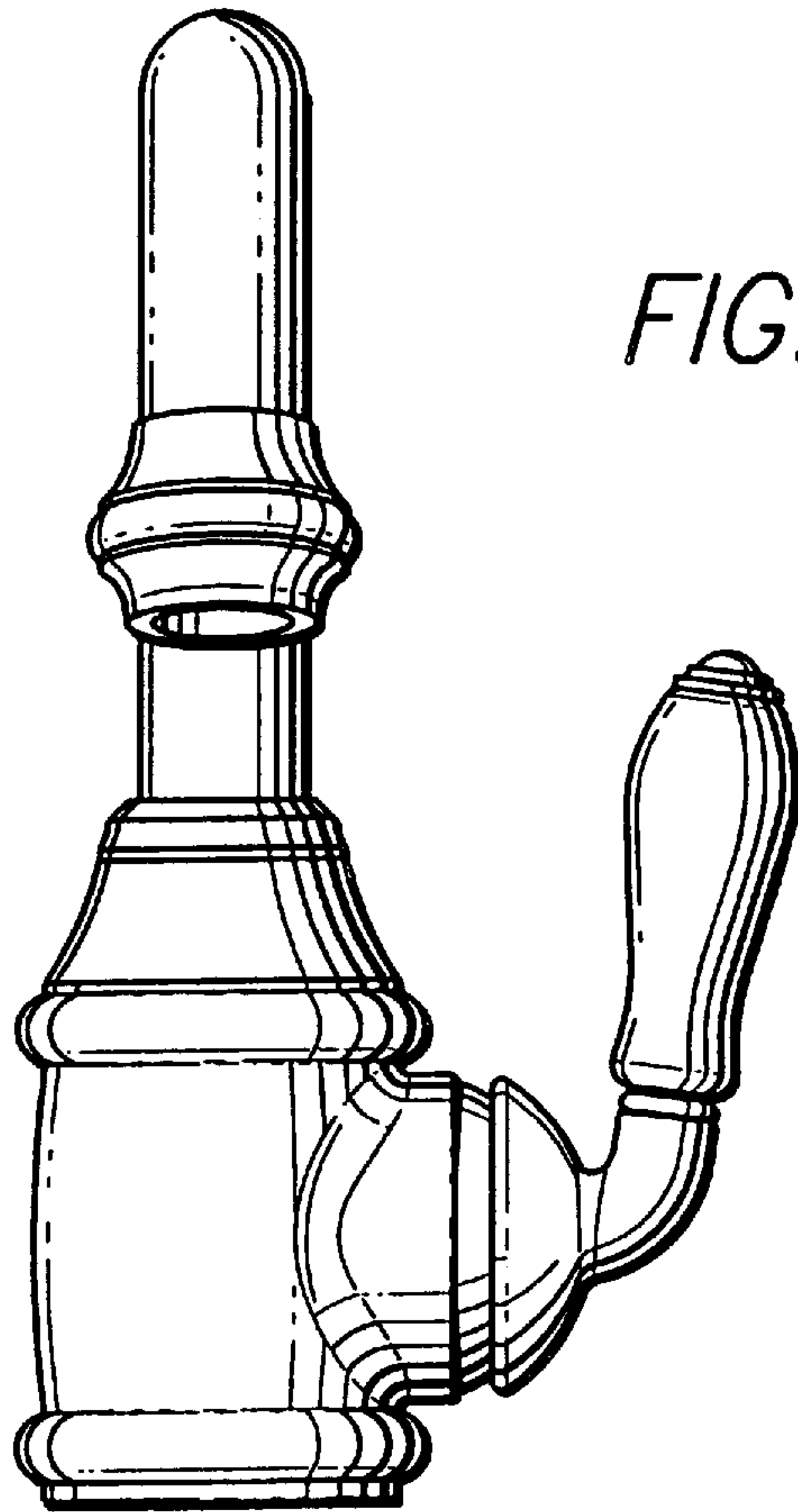


FIG. 4

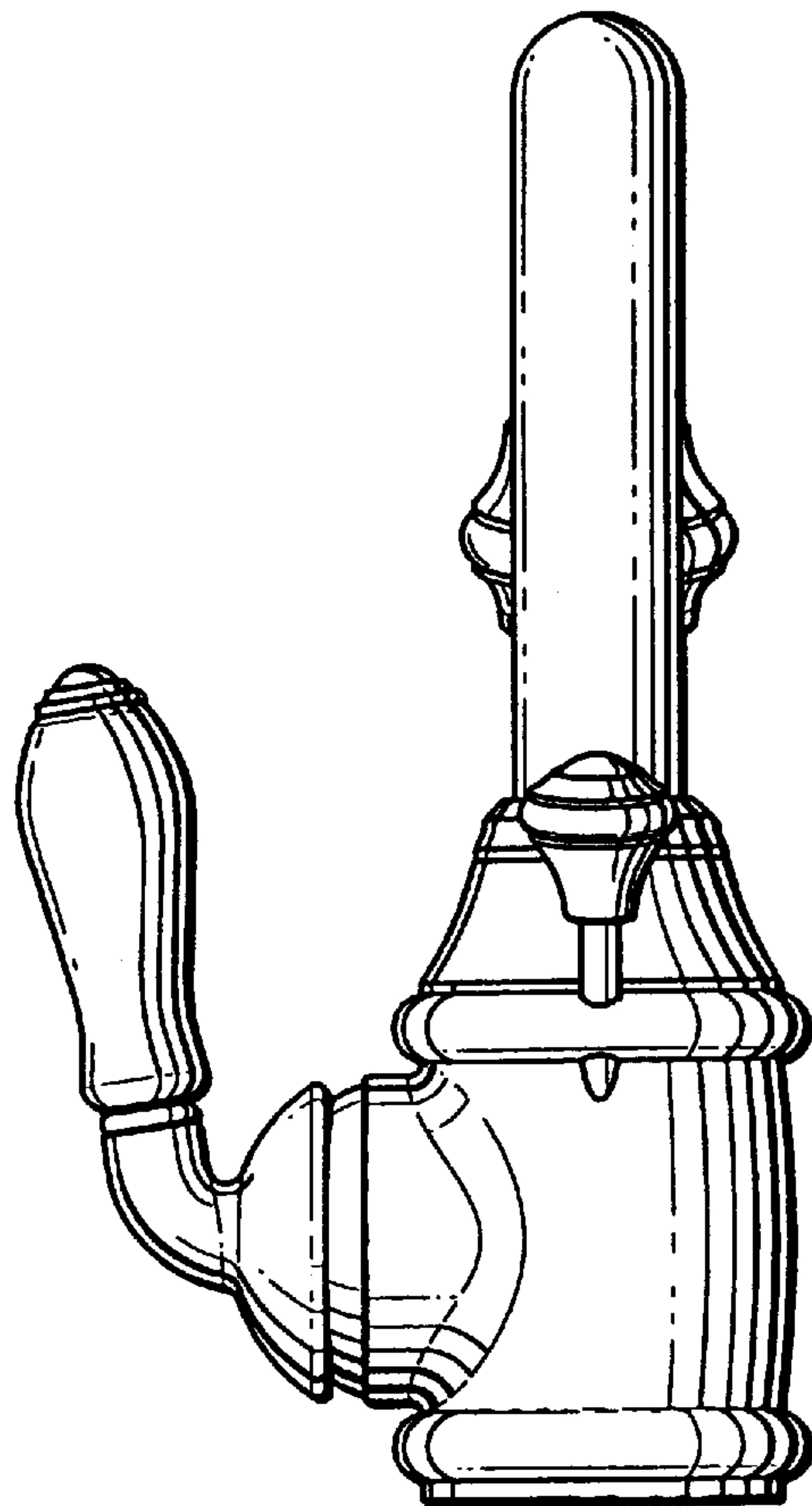


FIG. 5

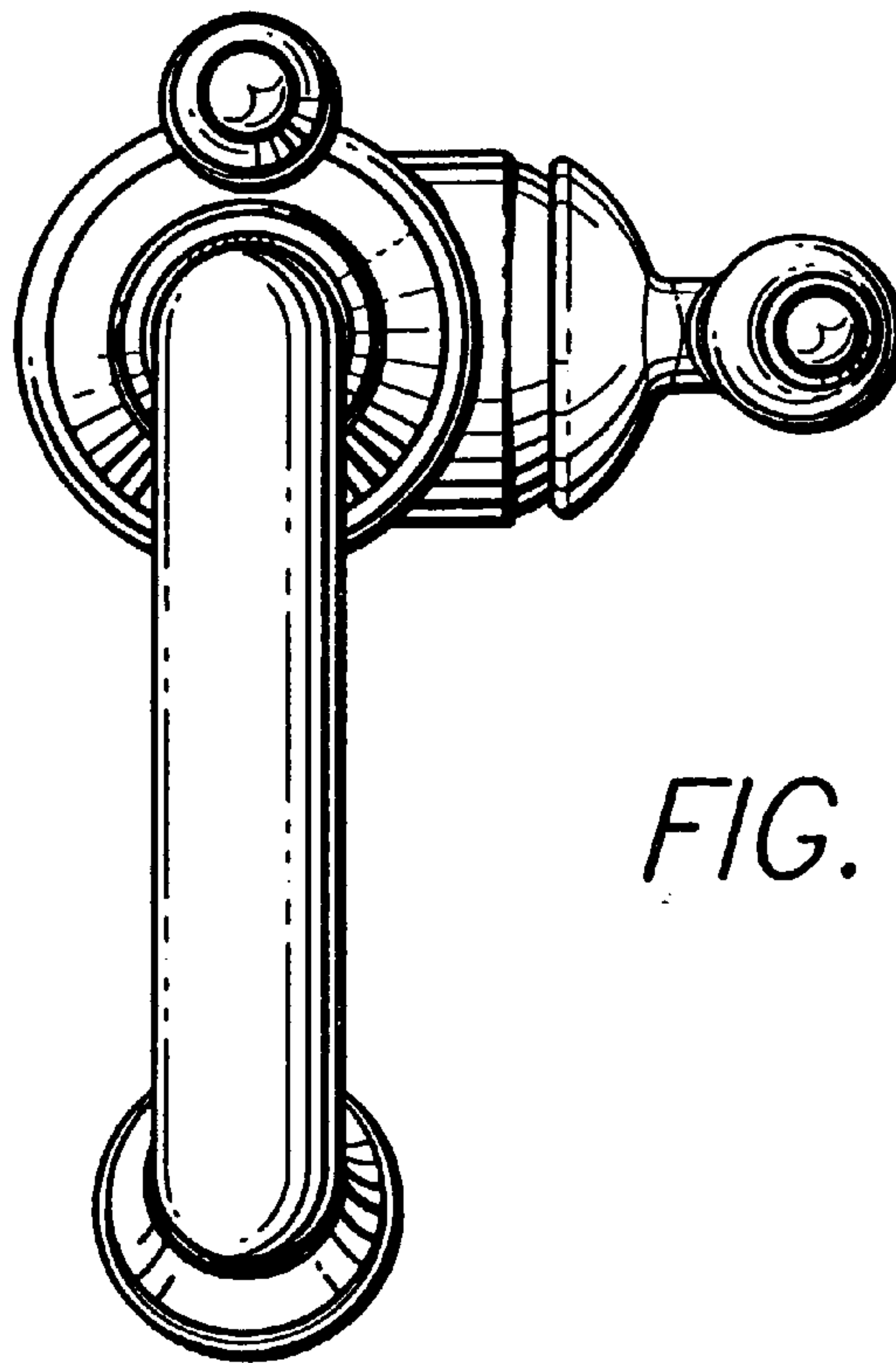


FIG. 6

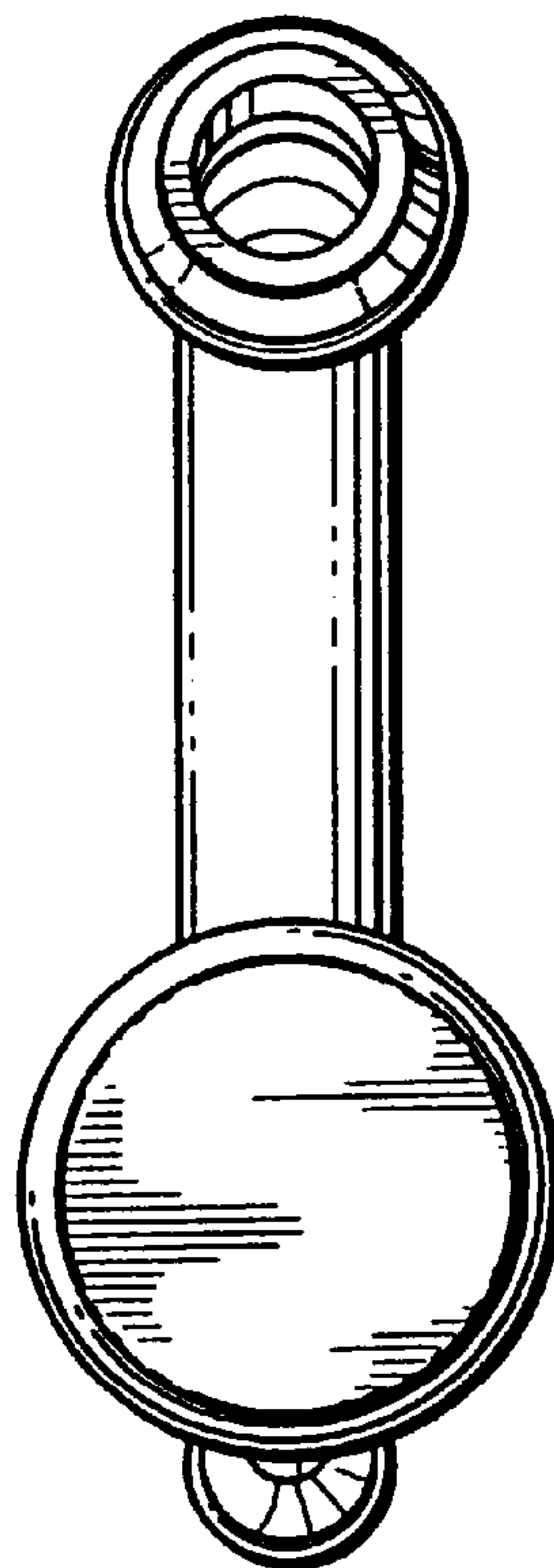


FIG. 7