



US00D437389S

(12) **United States Design Patent**
Hsin-Fa

(10) **Patent No.:** **US D437,389 S**

(45) **Date of Patent:** **** Feb. 6, 2001**

(54) **GARDENING SPRAYER BASE**

(76) Inventor: **Wang Hsin-Fa**, No. 68, Mou Tan Lane,
Shao An Li, Lu Kang Town, Chang
Hua Hsien (TW)

(**) Term: **14 Years**

(21) Appl. No.: **29/124,728**

(22) Filed: **Jun. 9, 2000**

(51) **LOC (7) Cl.** **23-01**

(52) **U.S. Cl.** **D23/221**

(58) **Field of Search** D23/213, 214,
D23/221; 239/273, 276, 275

(56) **References Cited**

U.S. PATENT DOCUMENTS

- D. 285,240 * 8/1986 Chow et al. D23/221
- D. 397,203 * 8/1998 Wang D23/214
- D. 427,280 * 6/2000 Chang D23/214

OTHER PUBLICATIONS

Nelson catalog; p. 8 #1950 Rainswirl circle sprinkler, 1986.*

* cited by examiner

Primary Examiner—Robin V. Taylor

(74) *Attorney, Agent, or Firm*—Harrison & Egbert

(57) **CLAIM**

I claim the ornamental design for a gardening sprayer base,
as shown and described.

DESCRIPTION

FIG. 1 is an upper perspective view of the gardening sprayer
base showing my design.

FIG. 2 is a front view thereof;

FIG. 3 is a back view thereof;

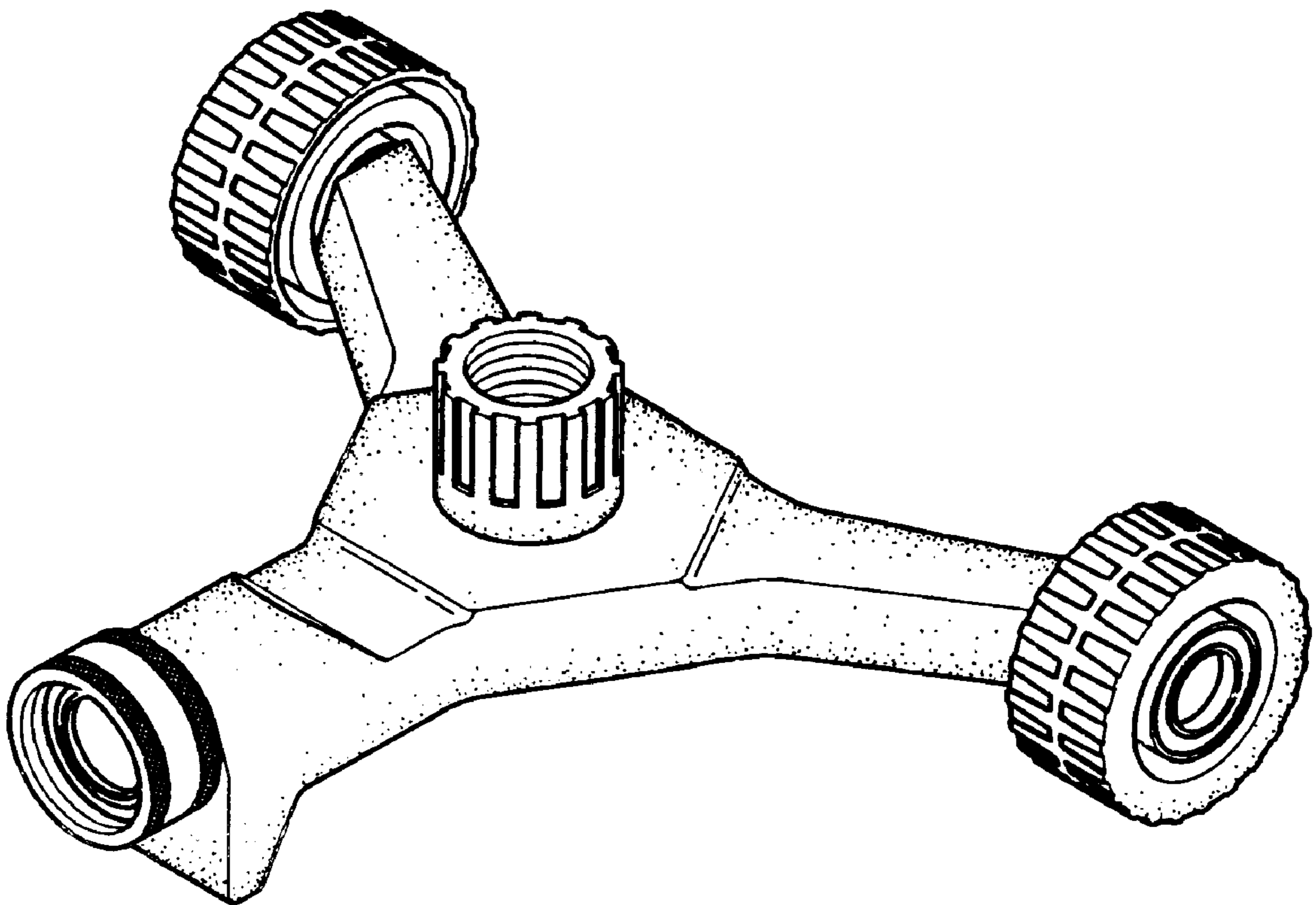
FIG. 4 is a side view thereof;

FIG. 5 is an opposite side view thereof;

FIG. 6 is a top view thereof; and,

FIG. 7 is a bottom view thereof.

1 Claim, 4 Drawing Sheets



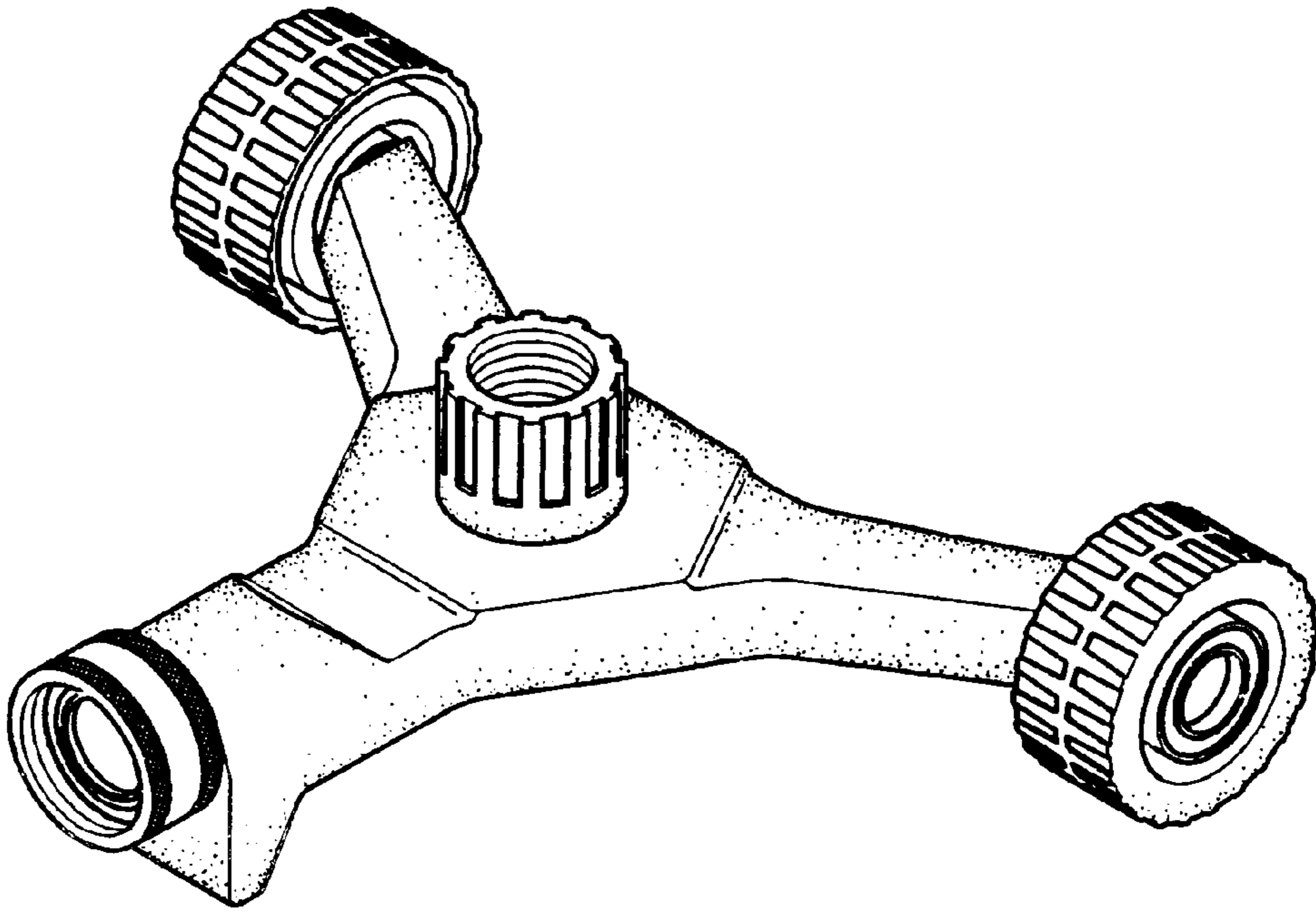


FIG. 1

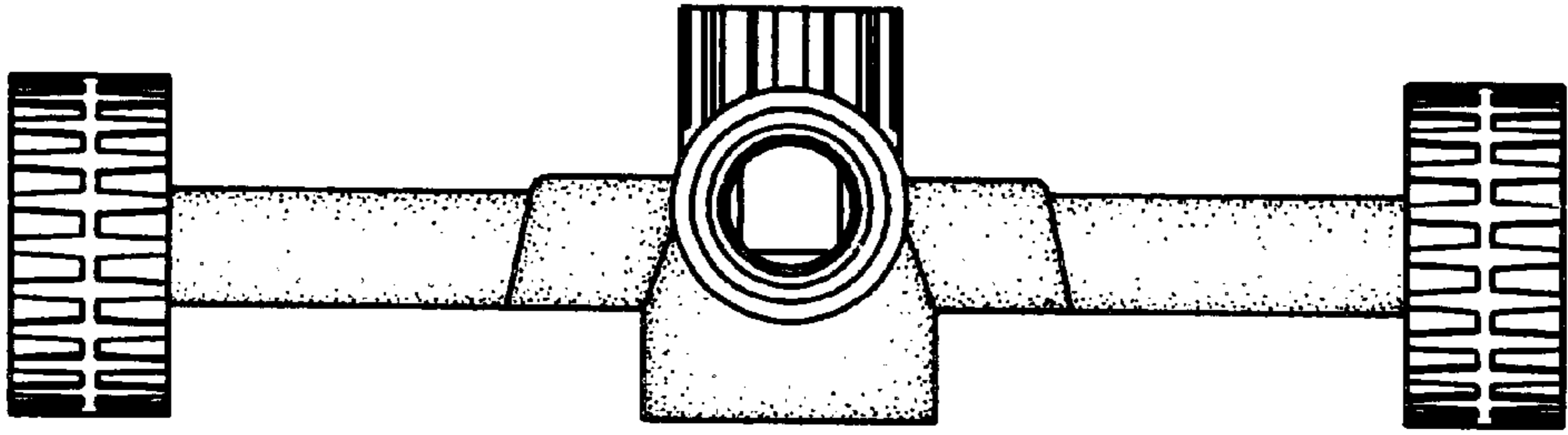


FIG. 2

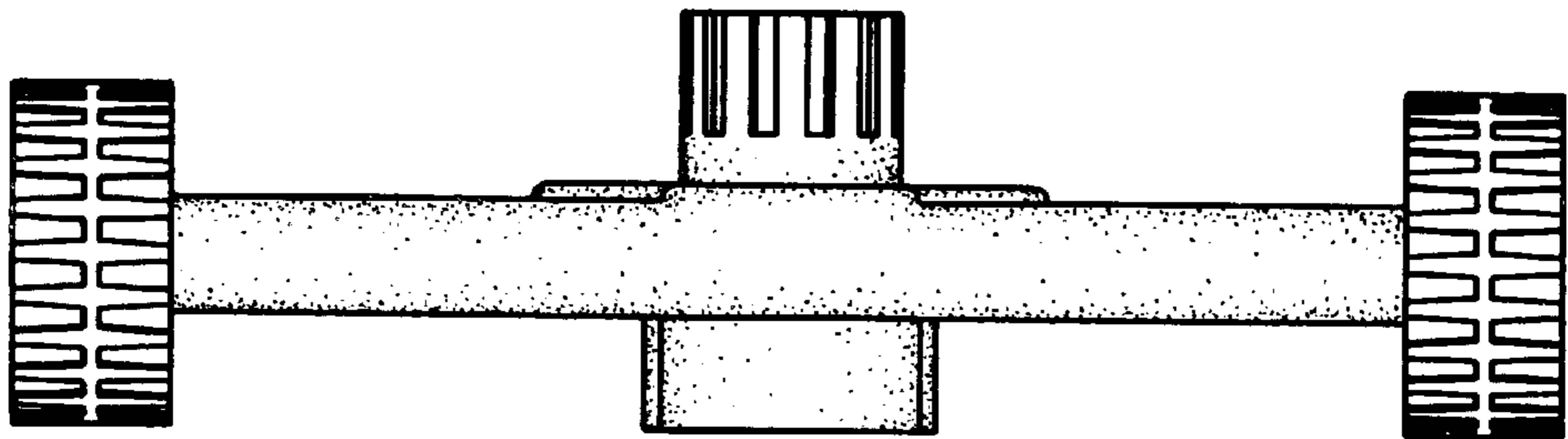


FIG. 3

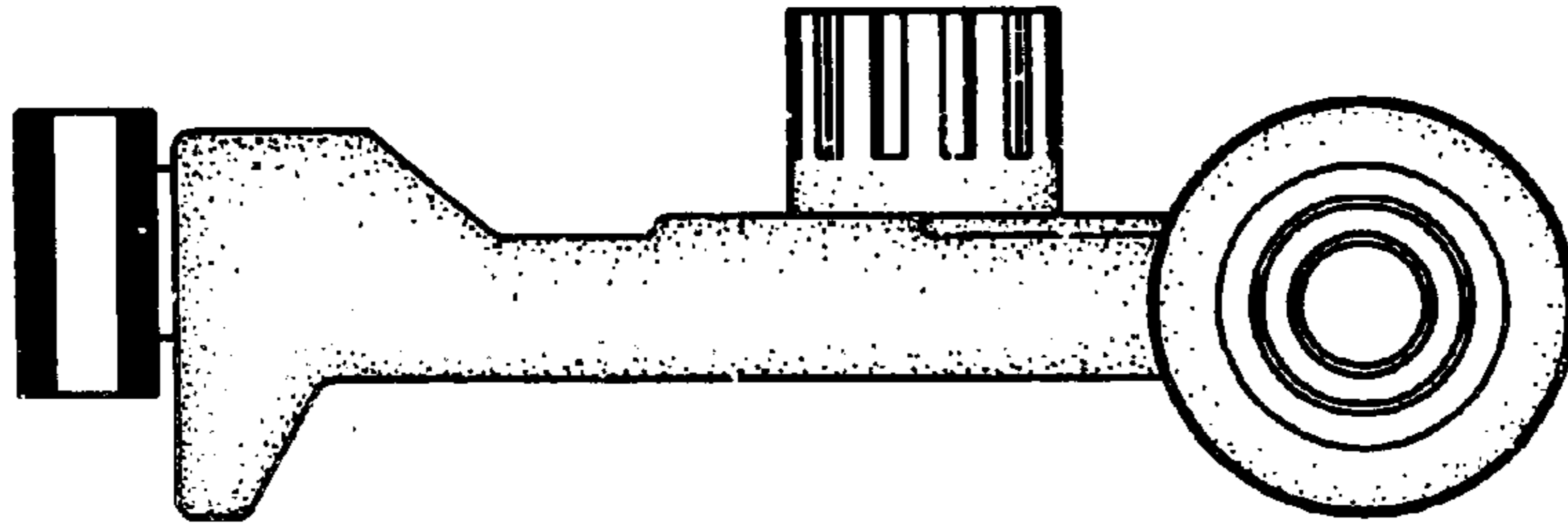


FIG. 4

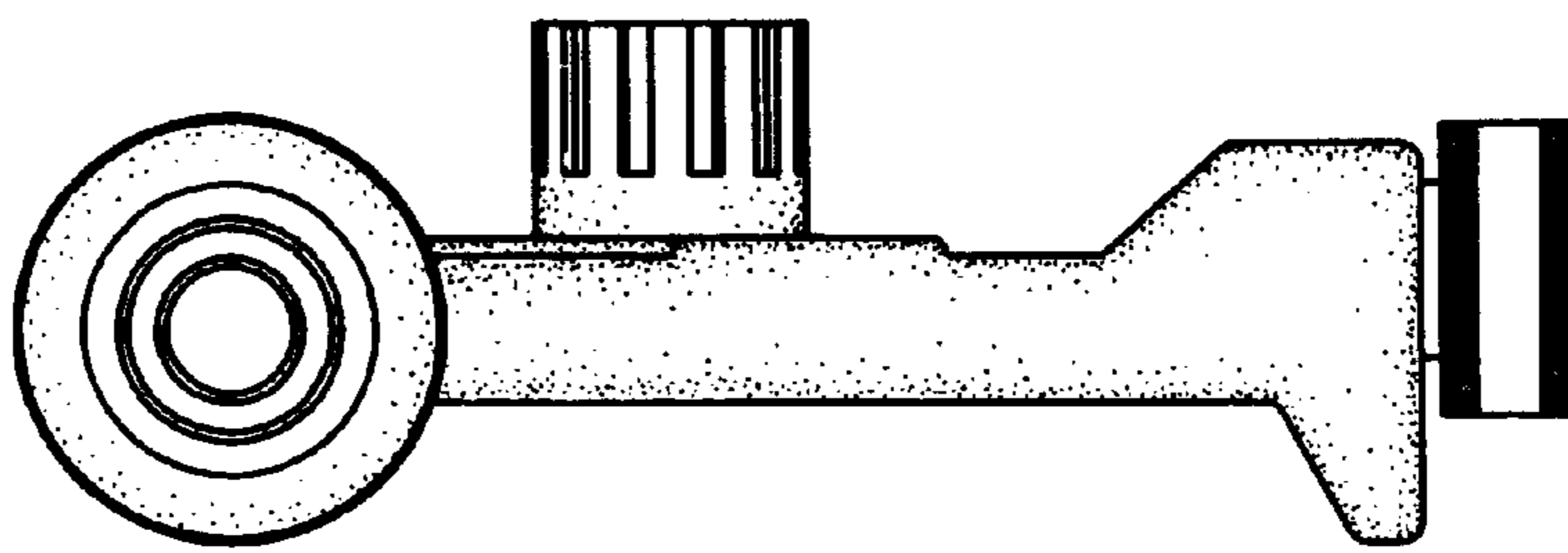


FIG. 5

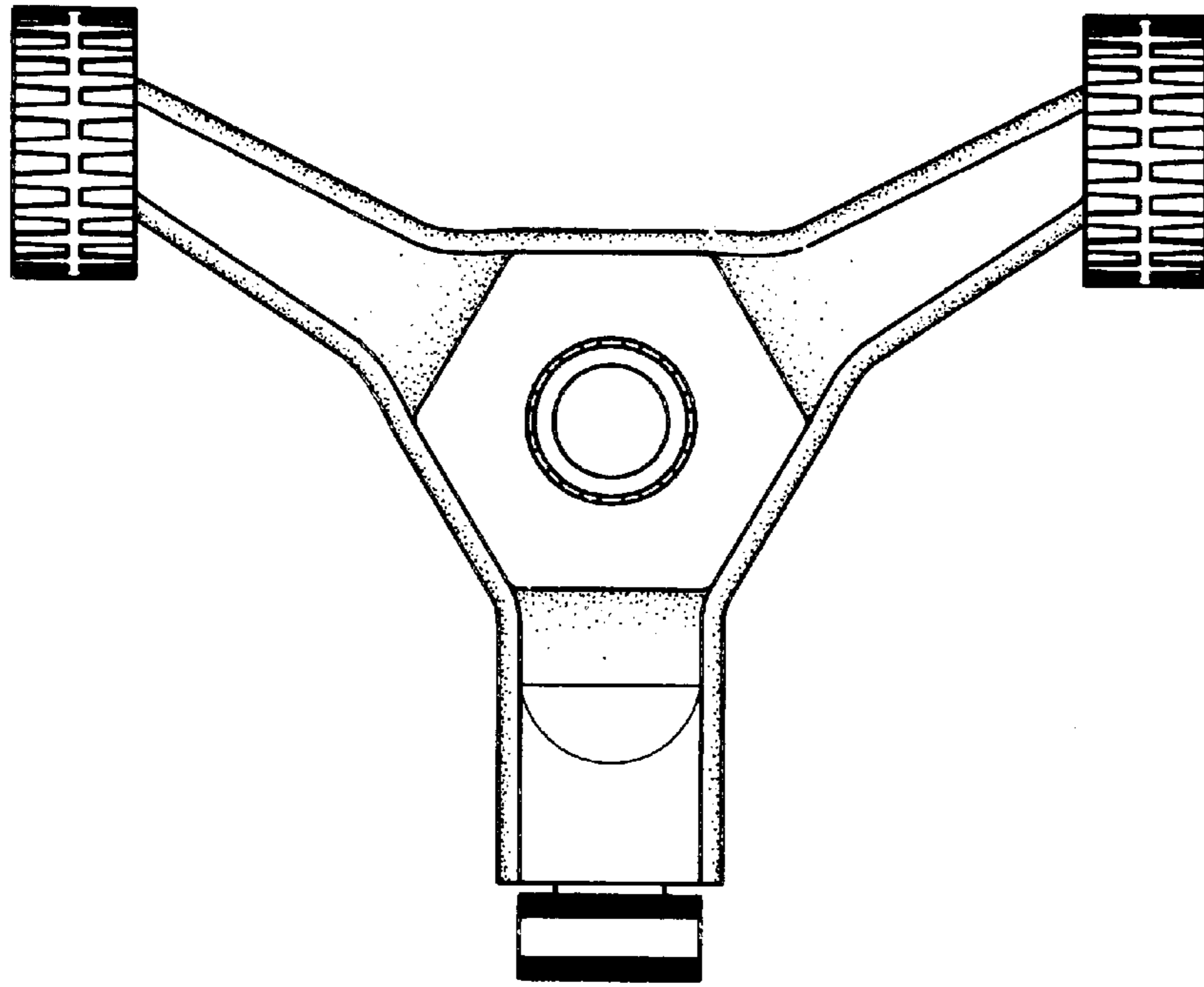


FIG. 6

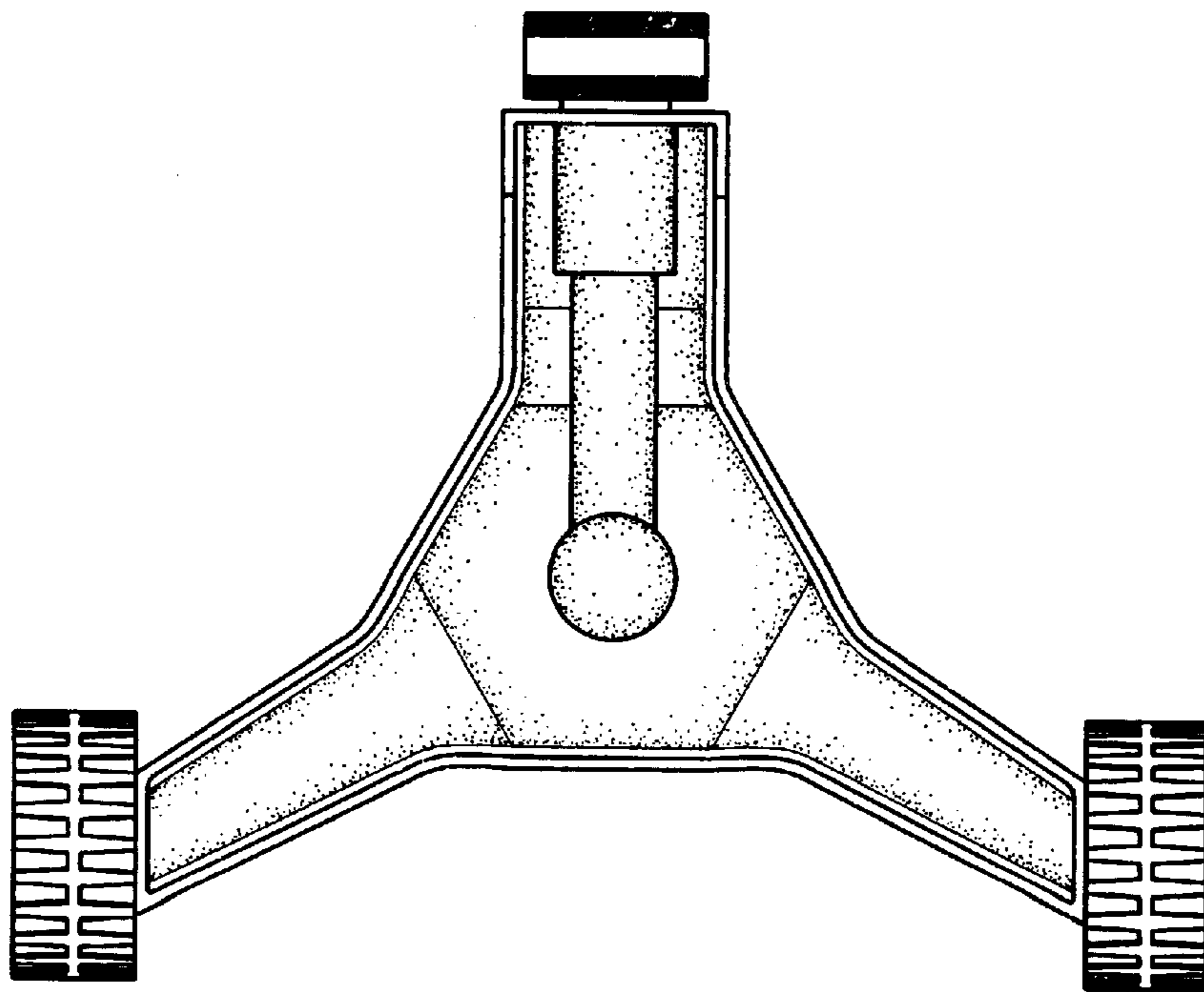


FIG. 7