



US00D437378S

(12) **United States Design Patent**
George et al.

(10) **Patent No.:** **US D437,378 S**

(45) **Date of Patent:** **** Feb. 6, 2001**

(54) **WATER SKI TRAVERSING MONITOR**

(76) Inventors: **David George; Nigel Loller**, both of
"Crossways", Route Militaire Vale,
Guernsey (GB), GY3 5RW

(**) Term: **14 Years**

(21) Appl. No.: **29/088,726**

(22) Filed: **May 29, 1998**

(51) **LOC (7) Cl.** **21-02**

(52) **U.S. Cl.** **D21/771**

(58) **Field of Search** D21/801, 760,
D21/769, 770, 771, 772; 114/252, 253,
254; 242/86.5 A

(56) **References Cited**

U.S. PATENT DOCUMENTS

4,407,460	*	10/1983	Khudaverdian	242/86.5 A
4,416,429	*	11/1983	Jessamine	242/86.5 A
4,429,839	*	2/1984	Jessamine	246/96
4,960,065	*	10/1990	Junkeris	114/254

* cited by examiner

Primary Examiner—Kay H. Chin

(74) *Attorney, Agent, or Firm*—Rader, Fishman & Grauer
PLLC

(57) **CLAIM**

The ornamental design for a water ski traversing monitor, as shown and described.

DESCRIPTION

FIG. 1 is a view of the front face of the water ski traversing monitor

FIG. 2 is a view of the reverse face of the water ski traversing monitor

FIG. 3 is a view of the right face of the water ski traversing monitor

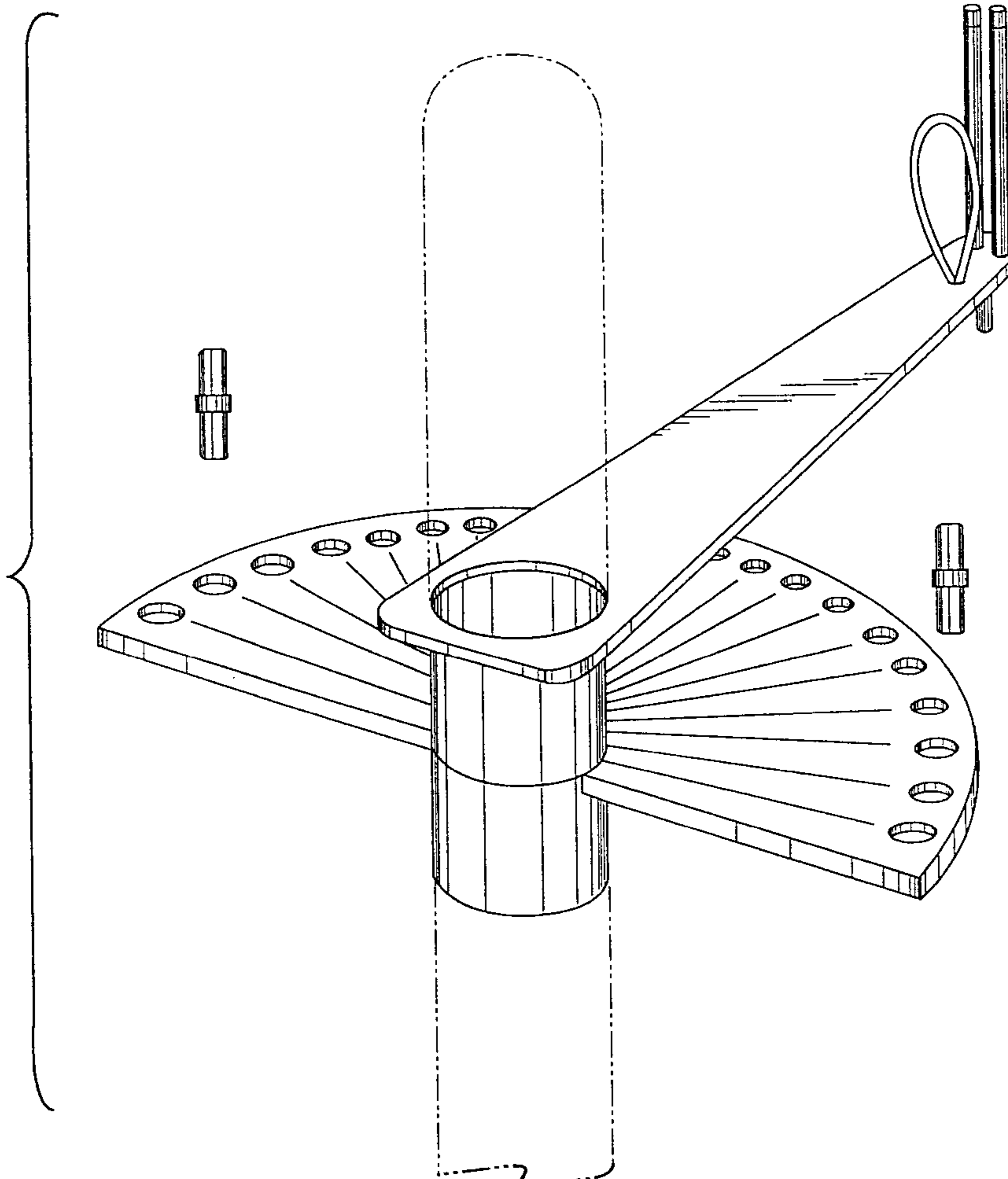
FIG. 4 is a view of the left face of the water ski traversing monitor

FIG. 5 is a view of the top face of the water ski traversing monitor

FIG. 6 is a view of the bottom face of the water ski traversing monitor; and,

FIG. 7 is an isometric view of the water ski traversing monitor.

1 Claim, 7 Drawing Sheets



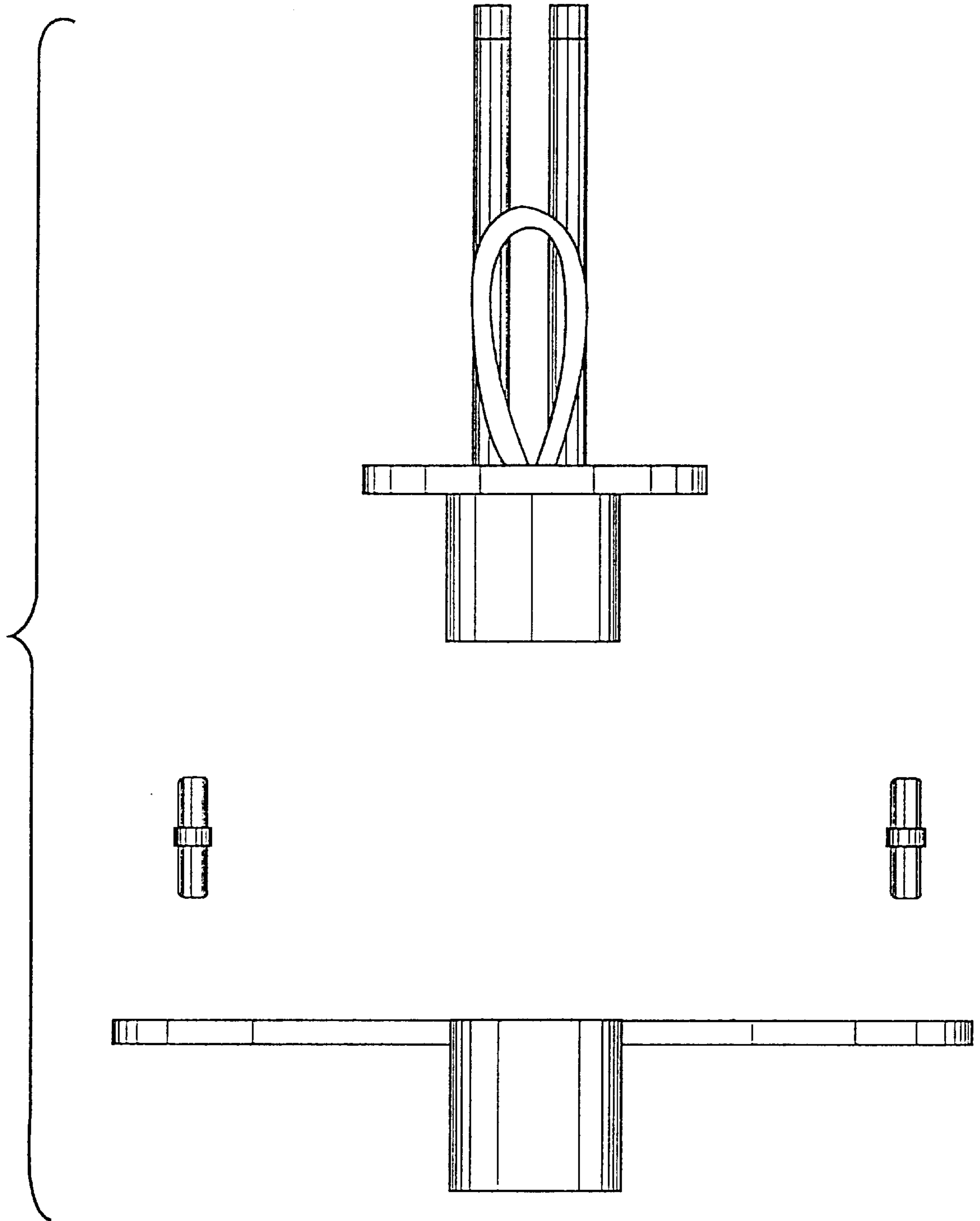


Fig. 1

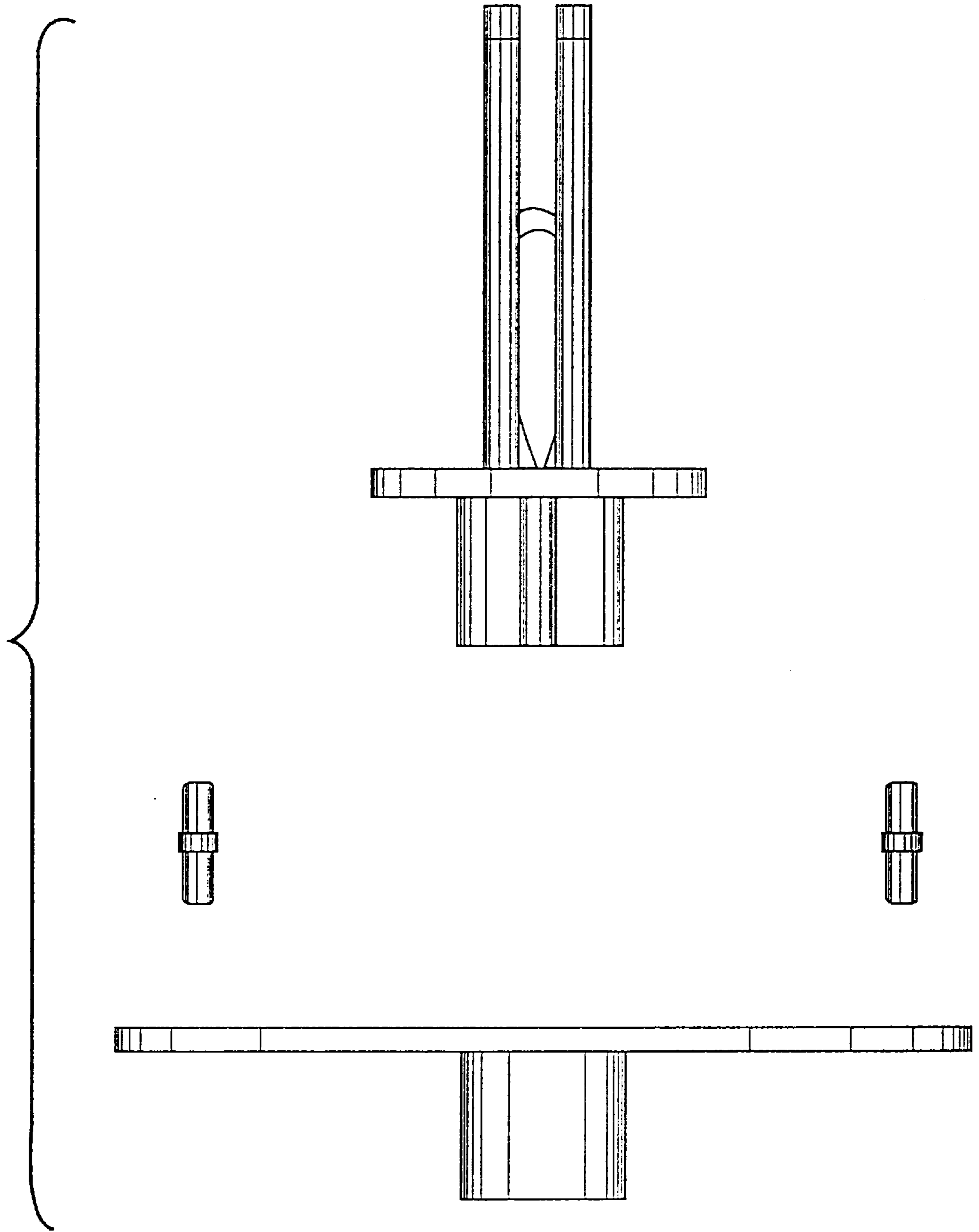


Fig. 2

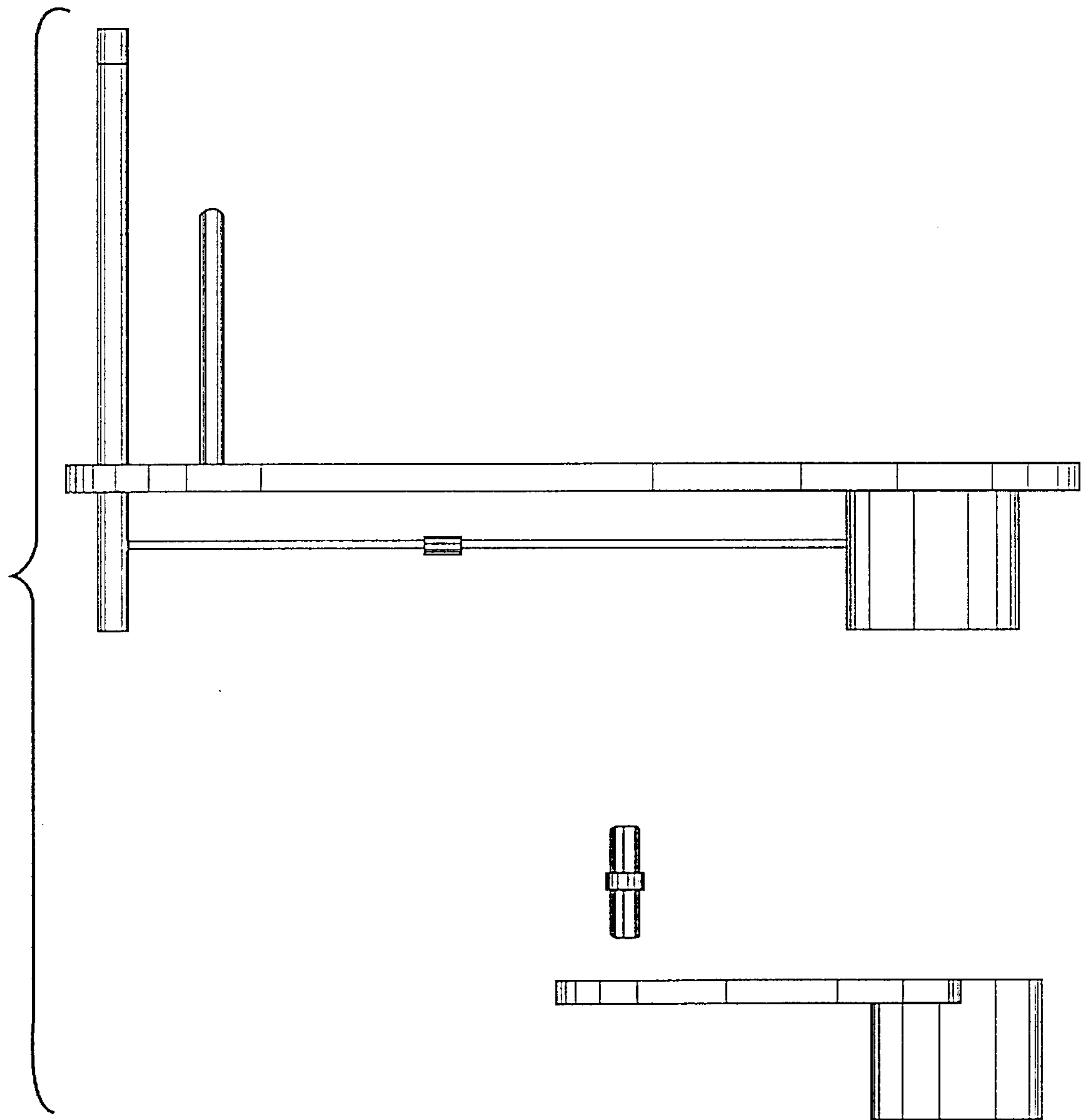


Fig. 3

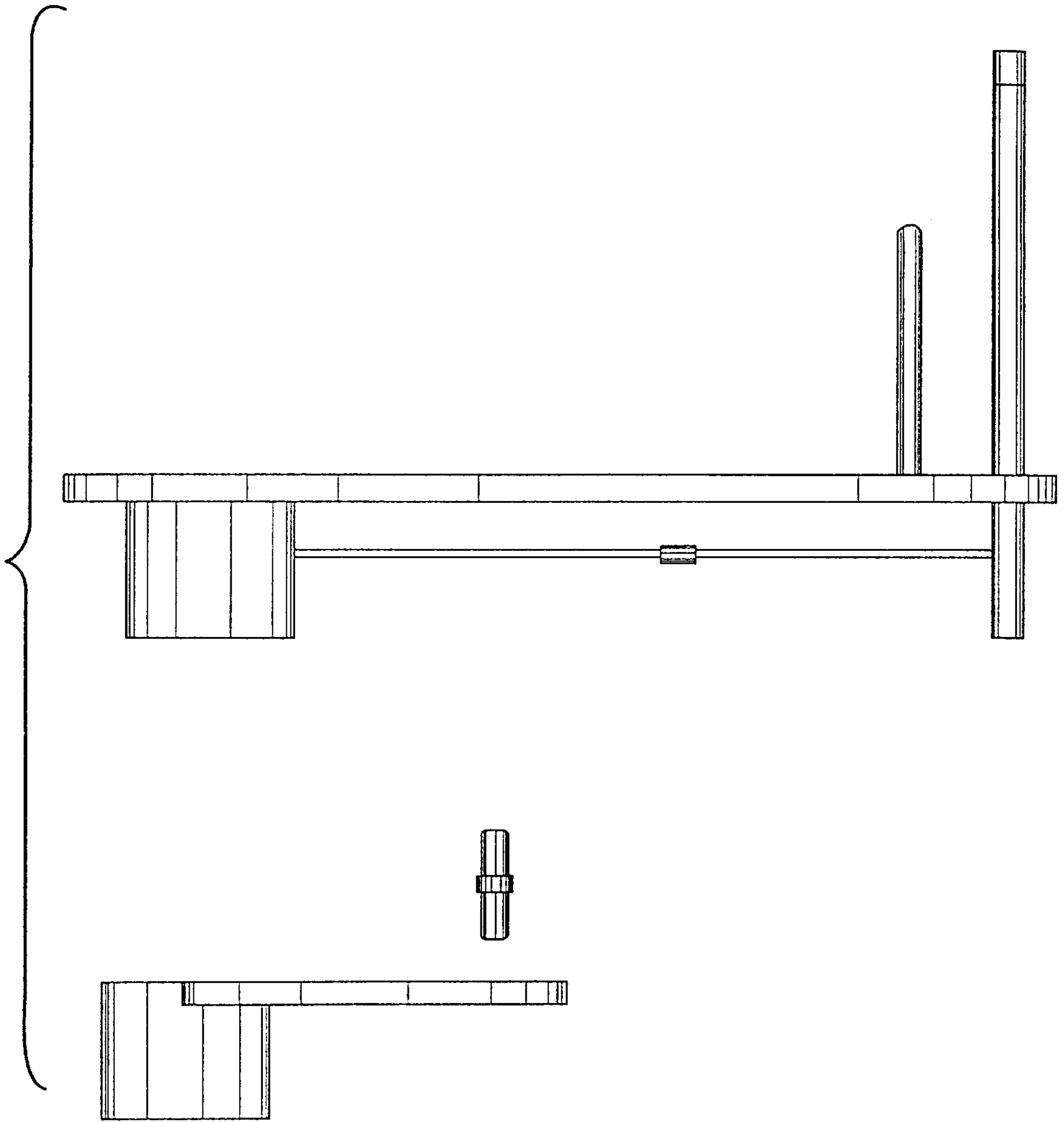


Fig. 4

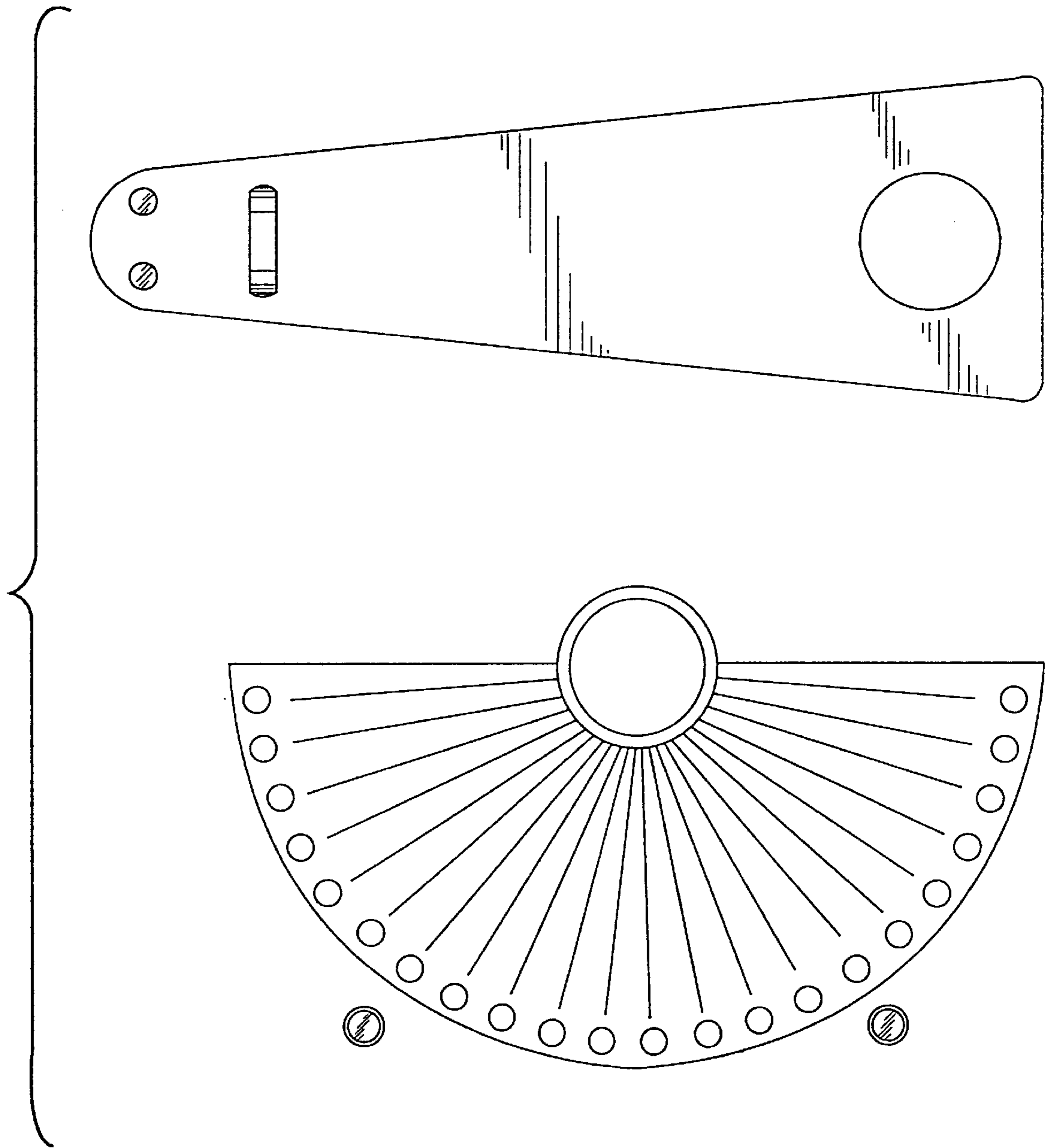


Fig. 5

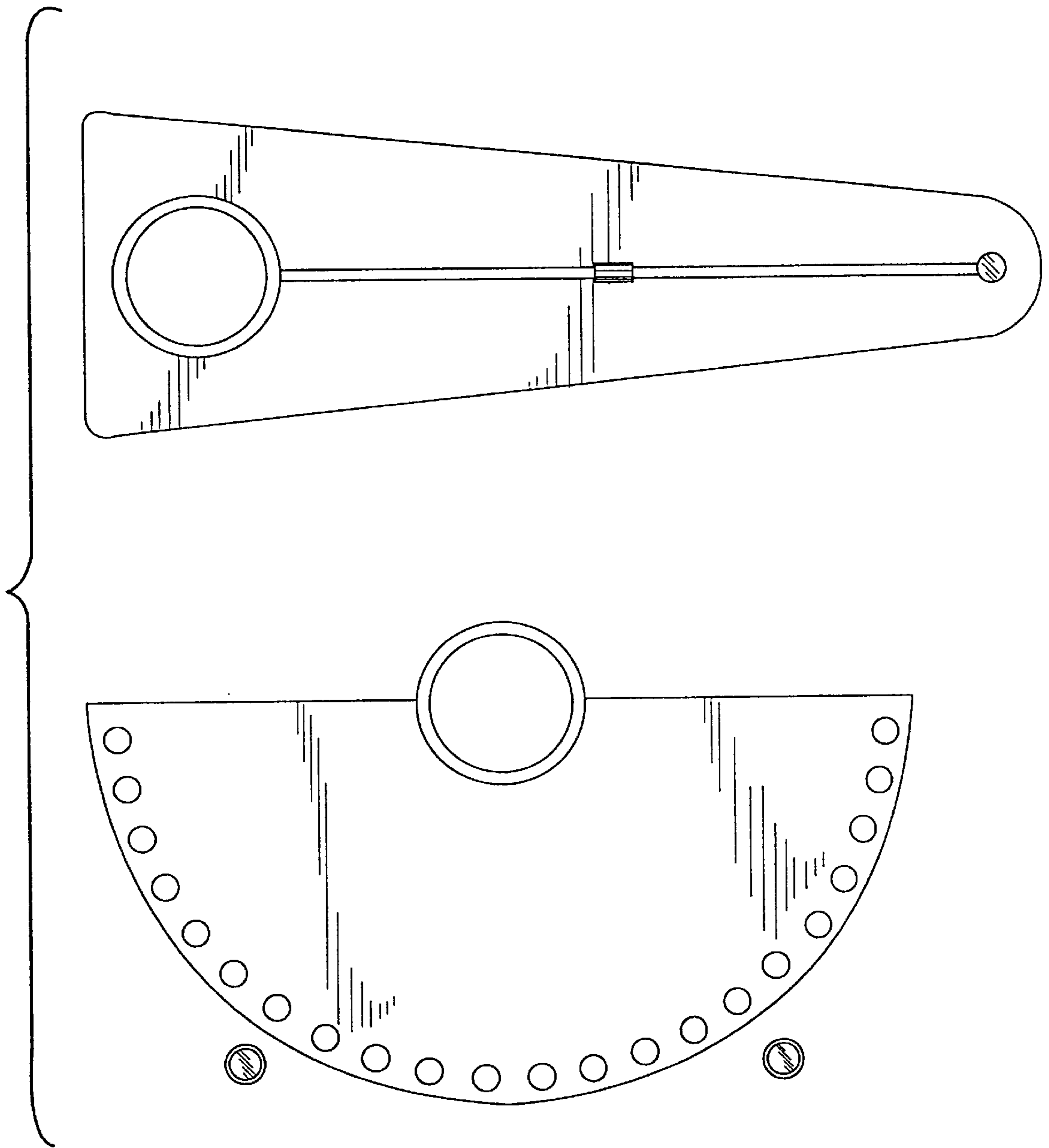


Fig. 6

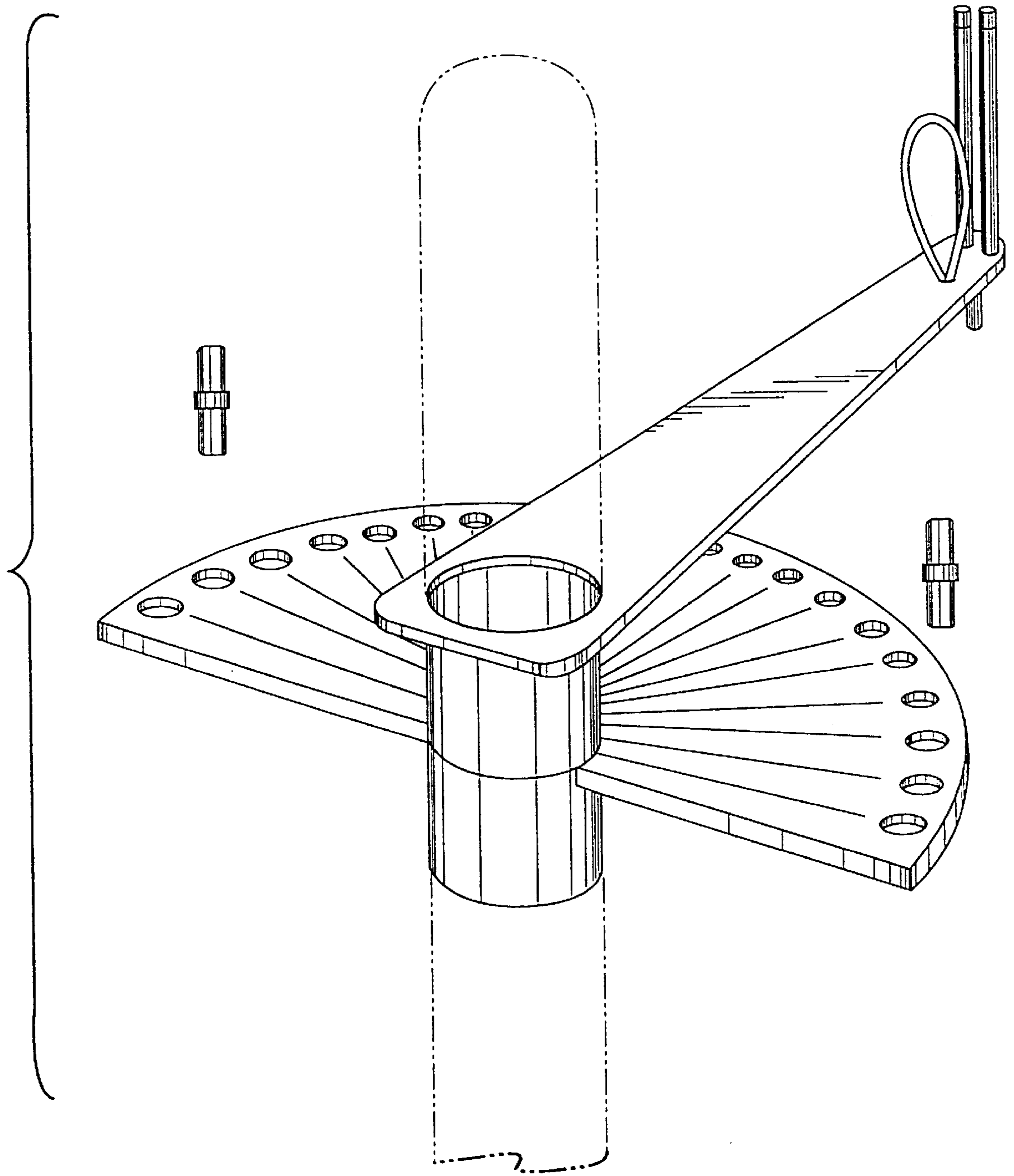


Fig. 7