



US00D437365S

(12) **United States Design Patent**  
**Flicek**

(10) **Patent No.:** **US D437,365 S**

(45) **Date of Patent:** **\*\* Feb. 6, 2001**

(54) **TOY**

(76) **Inventor:** **David Flicek, 517 Morning Glory Ct.,  
San Ramon, CA (US) 94583**

(\*\*) **Term:** **14 Years**

(21) **Appl. No.:** **29/118,297**

(22) **Filed:** **Feb. 7, 2000**

(51) **LOC (7) Cl.** ..... **21-01**

(52) **U.S. Cl.** ..... **D21/456**

(58) **Field of Search** ..... **D21/398, 456,  
D21/564; 446/168, 274; 273/120 R**

(56) **References Cited**

**U.S. PATENT DOCUMENTS**

326,078	*	9/1885	Wood	.....	273/120 R
409,806		8/1889	Schureman	.	
D. 422,652	*	4/2000	Watanabe	.....	D21/564
1,402,563		1/1922	Bodine	.	
1,573,990		2/1926	Mueller	.	
1,615,342	*	1/1927	Nelson	.....	446/172

1,769,327	*	7/1930	Wood	.....	446/168
2,408,028	*	10/1946	Filbrun	.....	446/168
2,752,727	*	7/1956	Cotton	.....	446/168
2,838,870	*	6/1958	Morse	.....	446/168
5,312,285	*	5/1994	Bieber et al.	.....	446/168

\* cited by examiner

*Primary Examiner*—Dominic Simone

(74) *Attorney, Agent, or Firm*—Goldstein & Canino

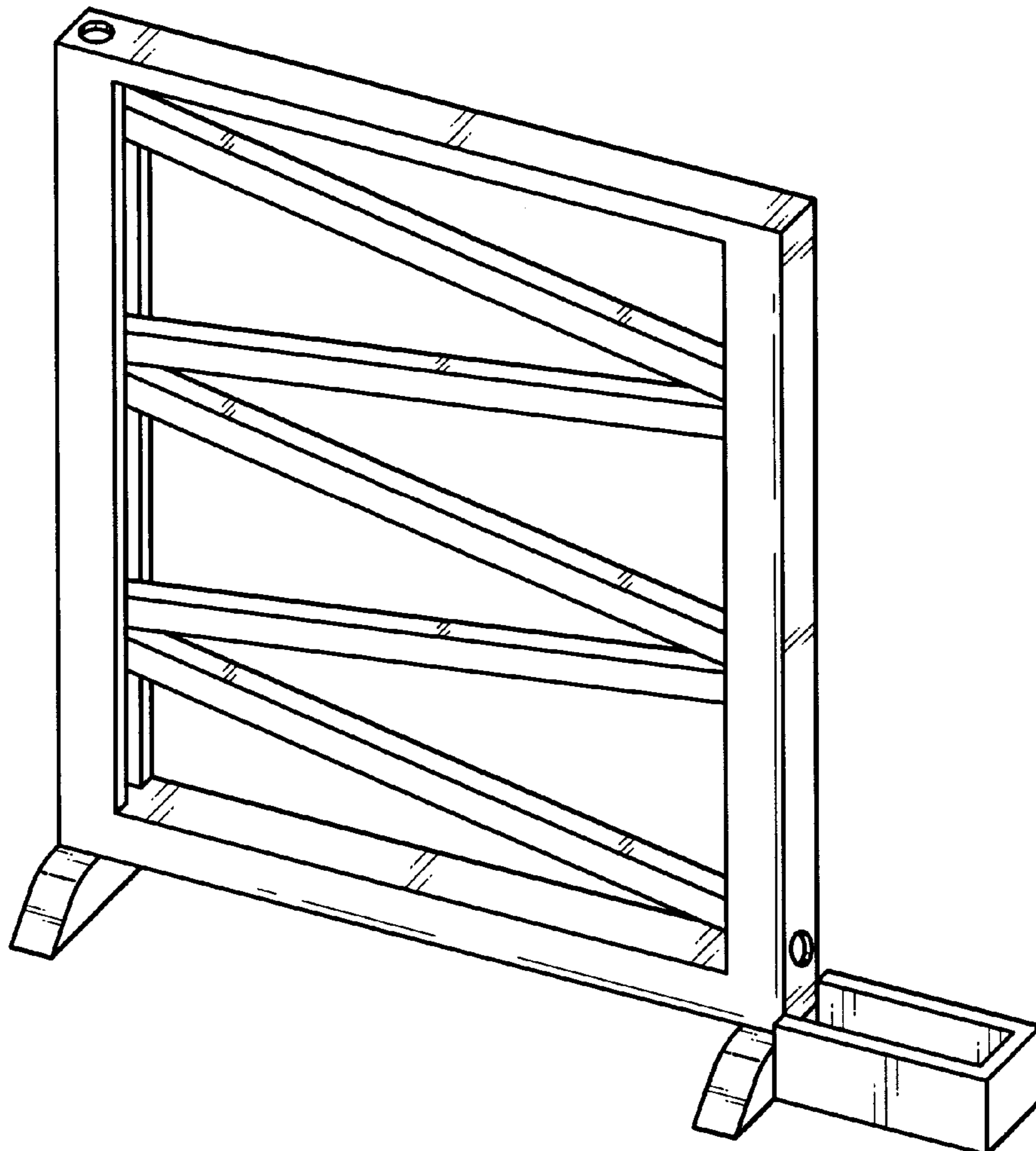
(57) **CLAIM**

The ornamental design for a toy, as shown and described.

**DESCRIPTION**

FIG. 1 is a perspective view of a toy.  
FIG. 2 is a front elevational view thereof, the rear elevational view being a mirror image of the front view.  
FIG. 3 is a left side elevational view thereof.  
FIG. 4 is a right side elevational view thereof.  
FIG. 5 is a top plan view of the toy; and,  
FIG. 6 is a bottom plan view thereof.

**1 Claim, 2 Drawing Sheets**



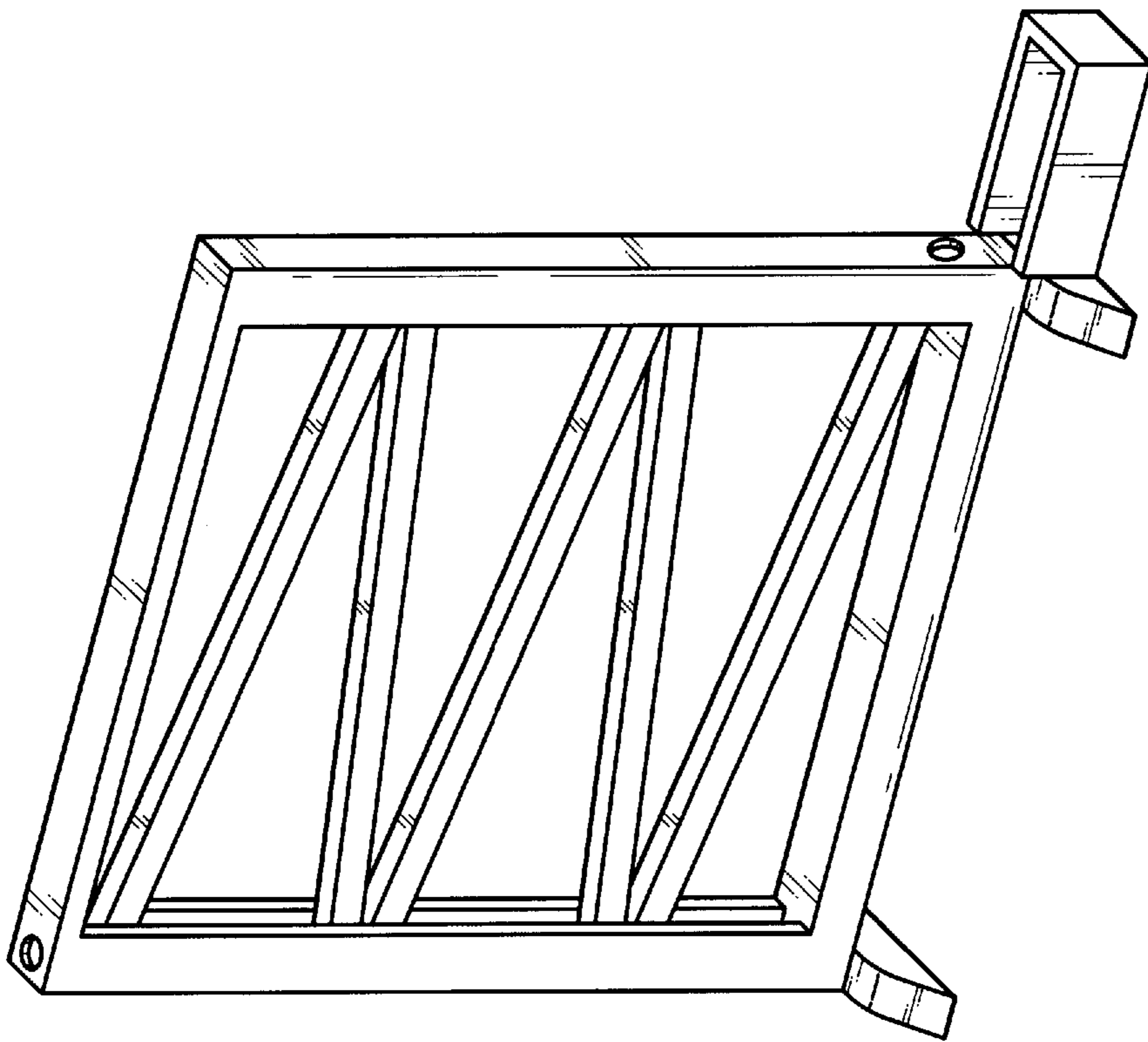


FIG. 1

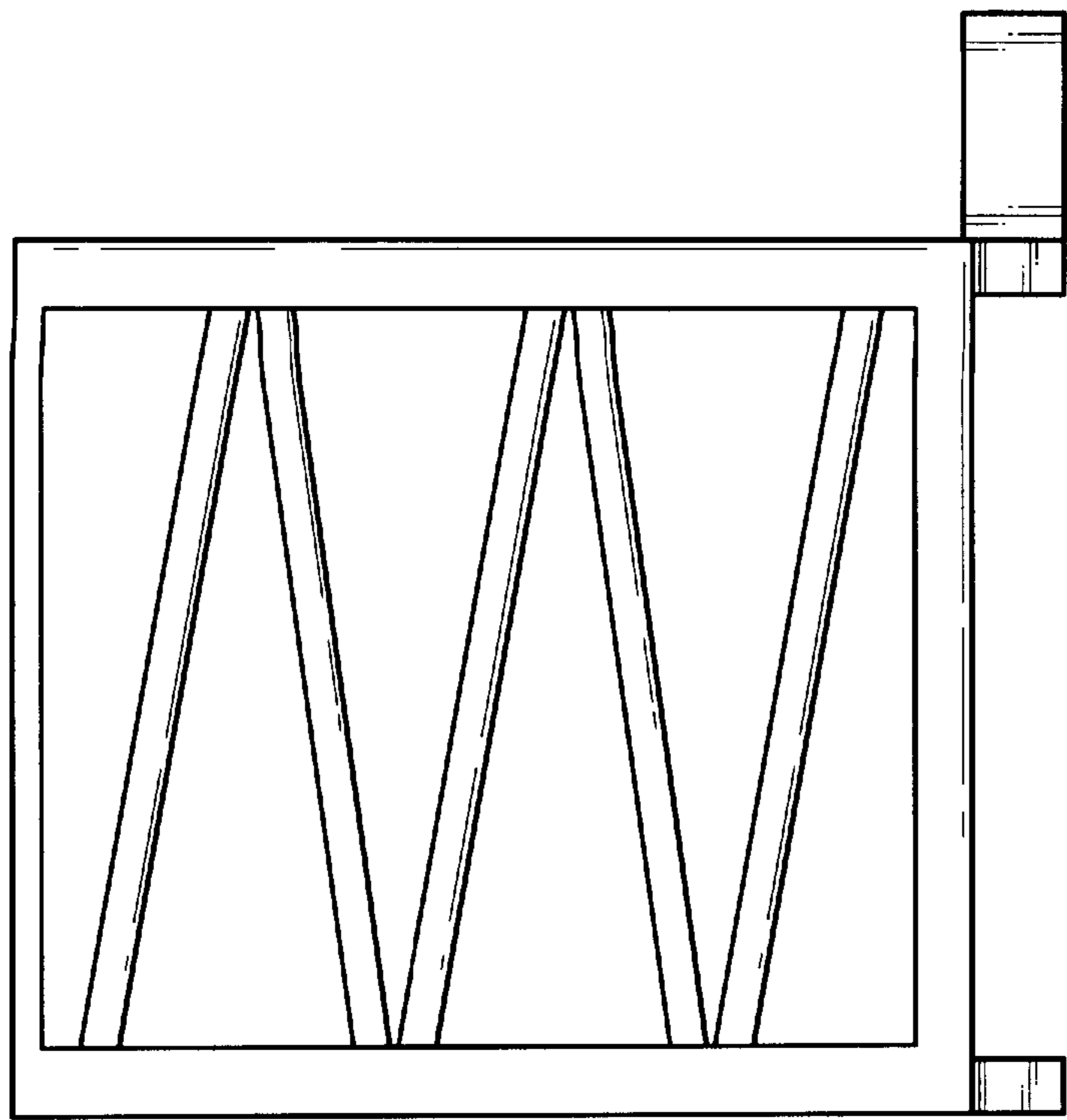


FIG. 2

