



US00D437364S

(12) **United States Design Patent**  
**Jang**

(10) **Patent No.:** **US D437,364 S**

(45) **Date of Patent:** **\*\* Feb. 6, 2001**

(54) **TOY VEHICLE**

(76) **Inventor:** **Jiann Lian Jang**, No. 6-3, Sheng Lih Road, Jen Teh Hsiang, Tainan Hsien (TW), 717

(\*\*) **Term:** **14 Years**

(21) **Appl. No.:** **29/111,954**

(22) **Filed:** **Oct. 7, 1999**

(51) **LOC (7) Cl.** ..... **21-01**

(52) **U.S. Cl.** ..... **D21/433; D21/426; D21/424; D21/563**

(58) **Field of Search** ..... D21/419-435, D21/533, 534, 548-551, 561-563; D12/87, 88; 446/160, 447, 428, 456, 465, 470; 280/1.13, 87.01, 87.021, 828, 87.041

(56) **References Cited**

**U.S. PATENT DOCUMENTS**

D. 188,204 \* 6/1960 Nash ..... D21/433  
D. 243,627 \* 3/1977 Clower ..... D12/88  
D. 338,244 \* 8/1993 Gault ..... D21/433

D. 378,226 \* 2/1997 Sundqvist ..... D21/433  
3,799,283 \* 3/1974 Preber ..... D12/88  
4,281,844 \* 8/1981 Jackman ..... 280/87.01  
4,629,023 \* 12/1986 Carpanelli et al. .... D12/87

\* cited by examiner

*Primary Examiner*—Raphael Barkai

(74) *Attorney, Agent, or Firm*—Charles E. Baxley

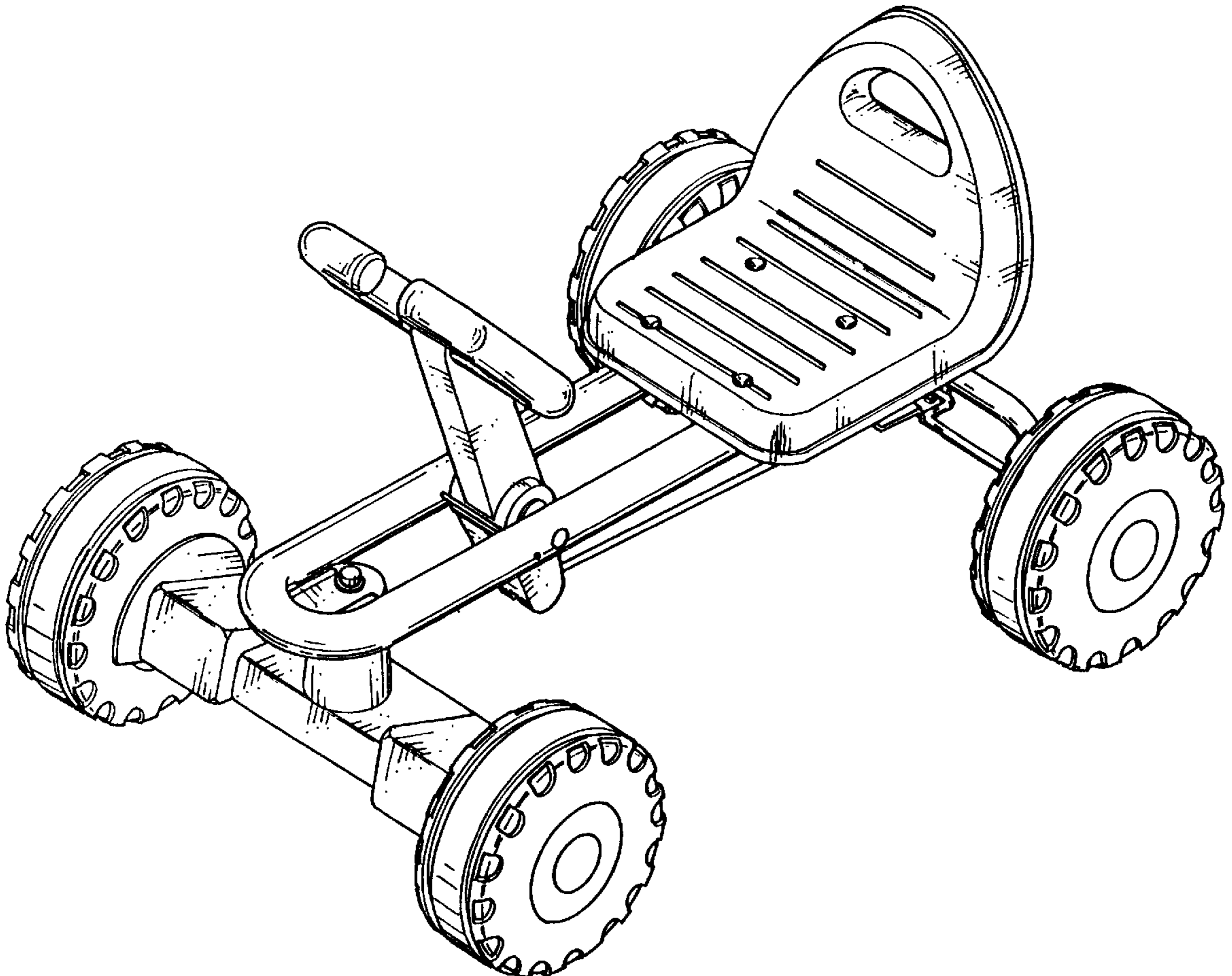
(57) **CLAIM**

The ornamental design for a toy vehicle, as shown and described.

**DESCRIPTION**

FIG. 1 is a perspective view of a toy vehicle showing my new design;  
FIG. 2 is a front elevational view thereof;  
FIG. 3 is a rear elevational view thereof;  
FIG. 4 is a top plan view thereof;  
FIG. 5 is a bottom plan view thereof;  
FIG. 6 is a left side elevational view thereof; and,  
FIG. 7 is a right side elevational view thereof.

**1 Claim, 4 Drawing Sheets**



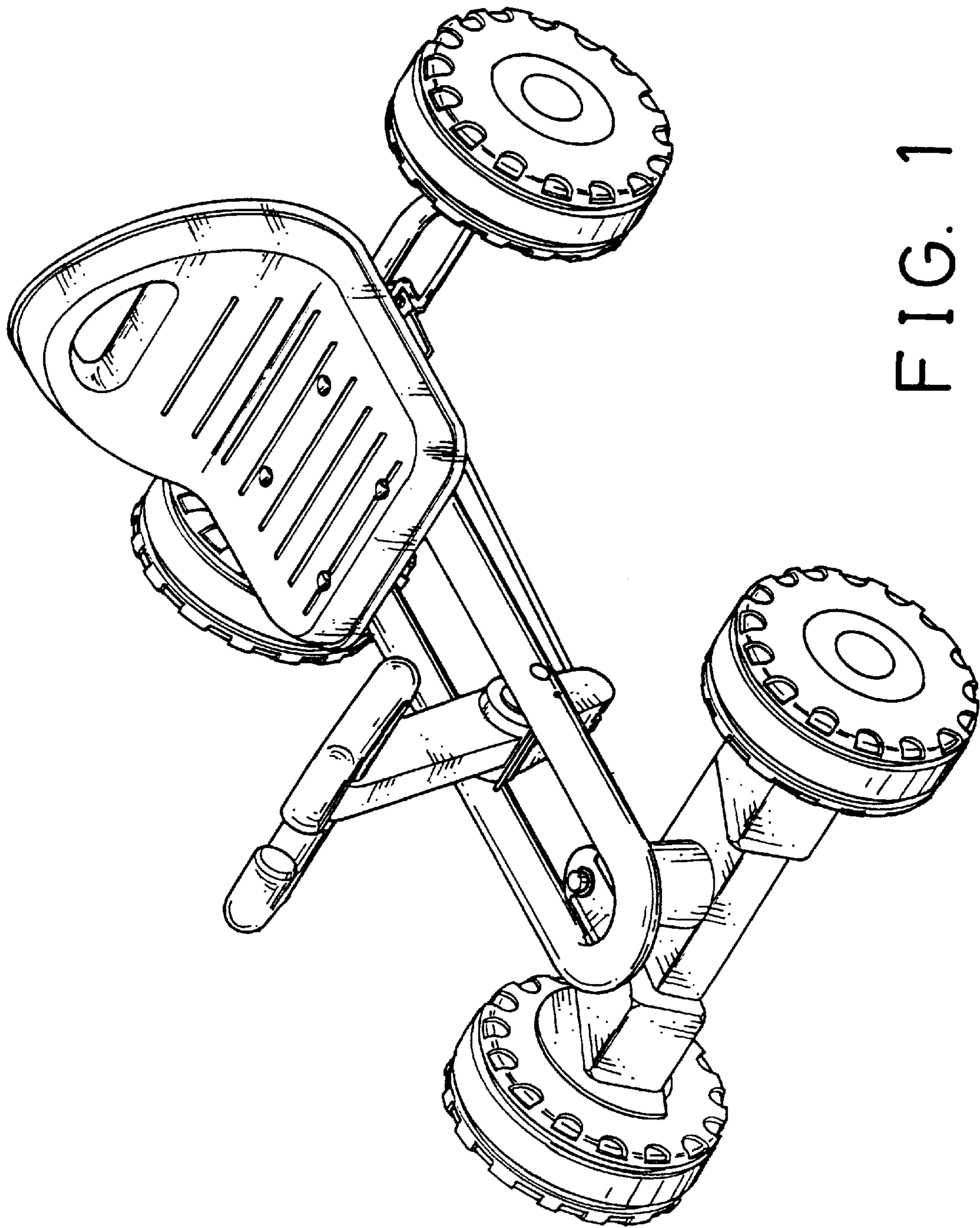


FIG. 1

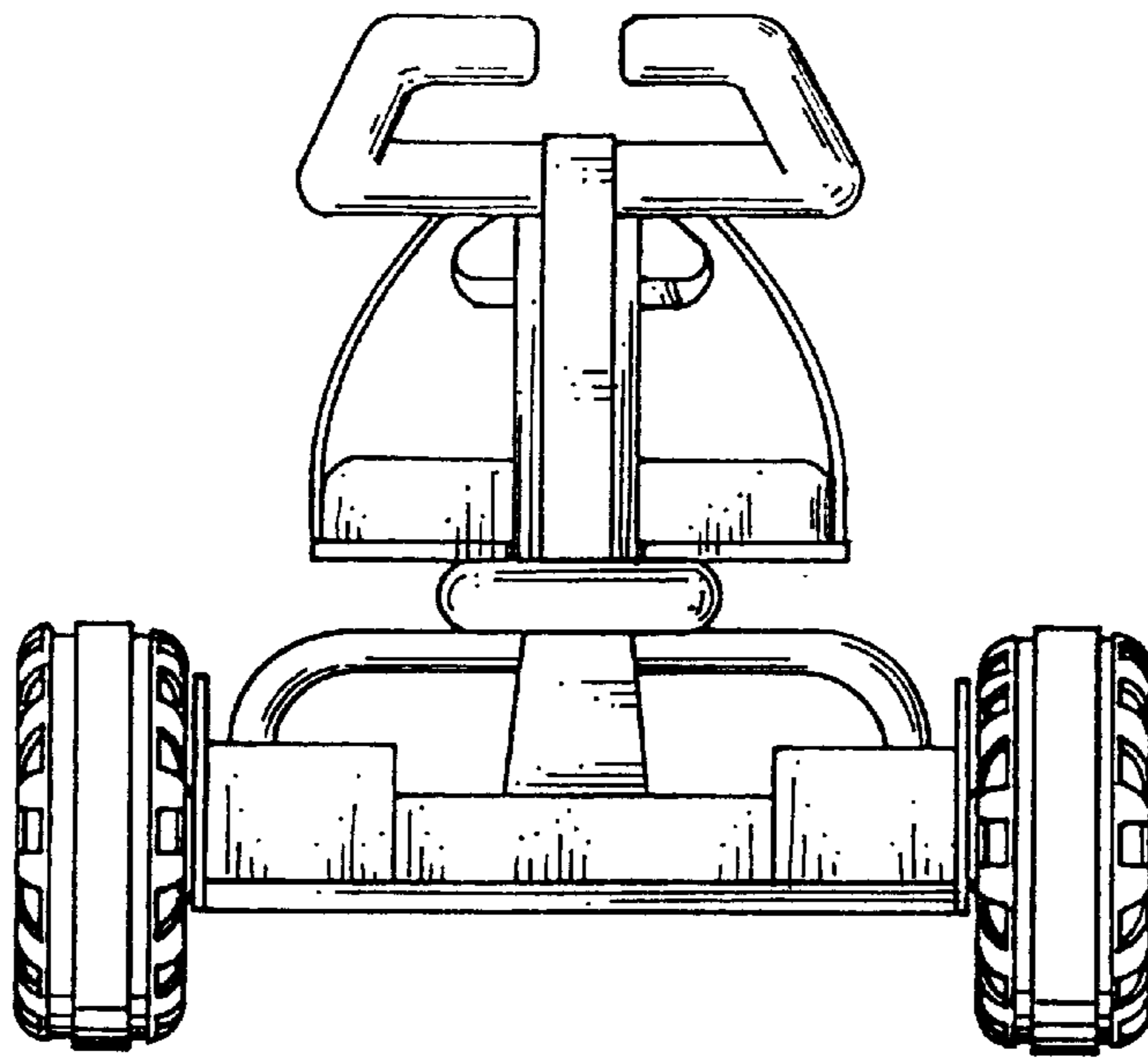


FIG. 2

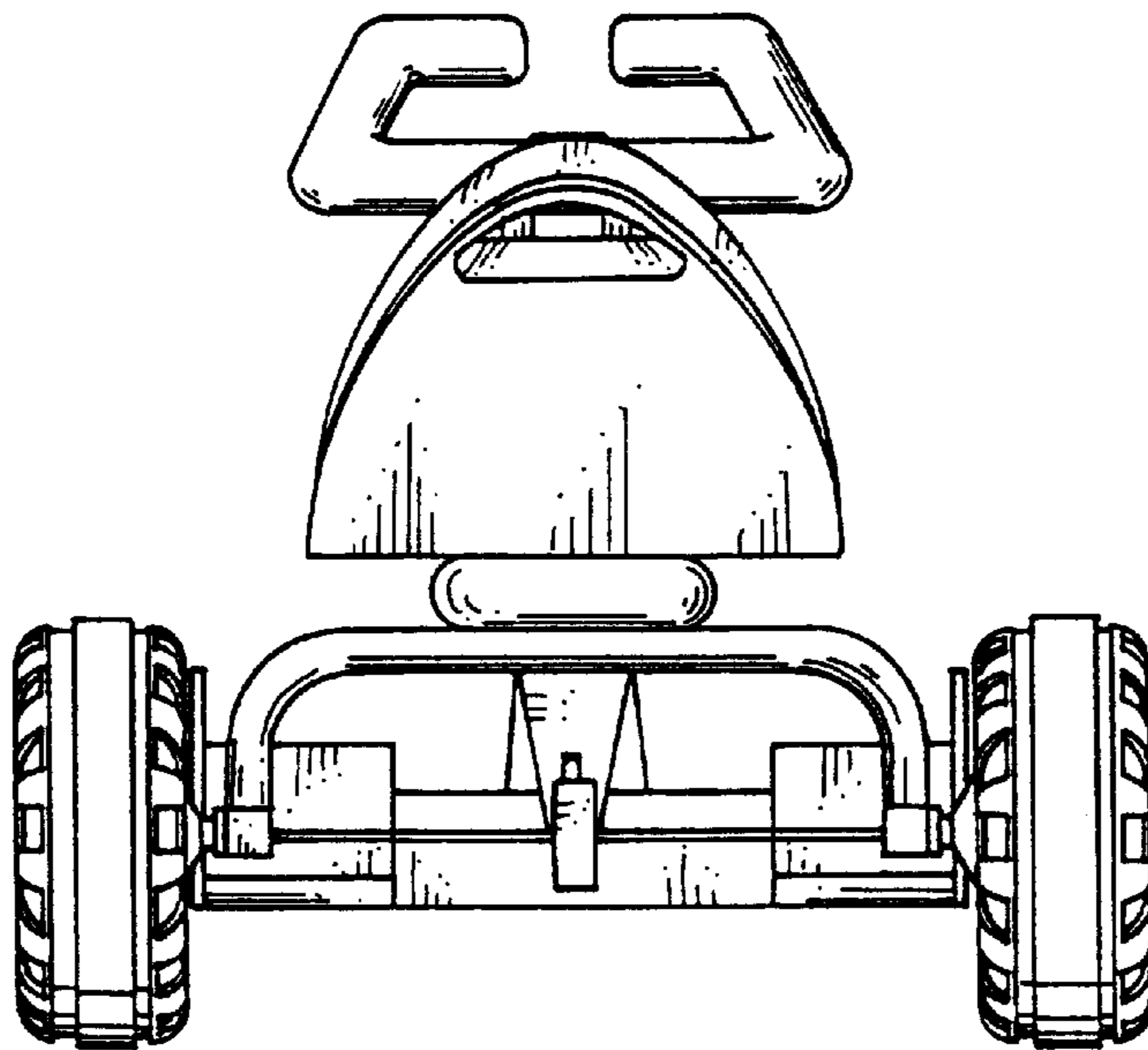


FIG. 3



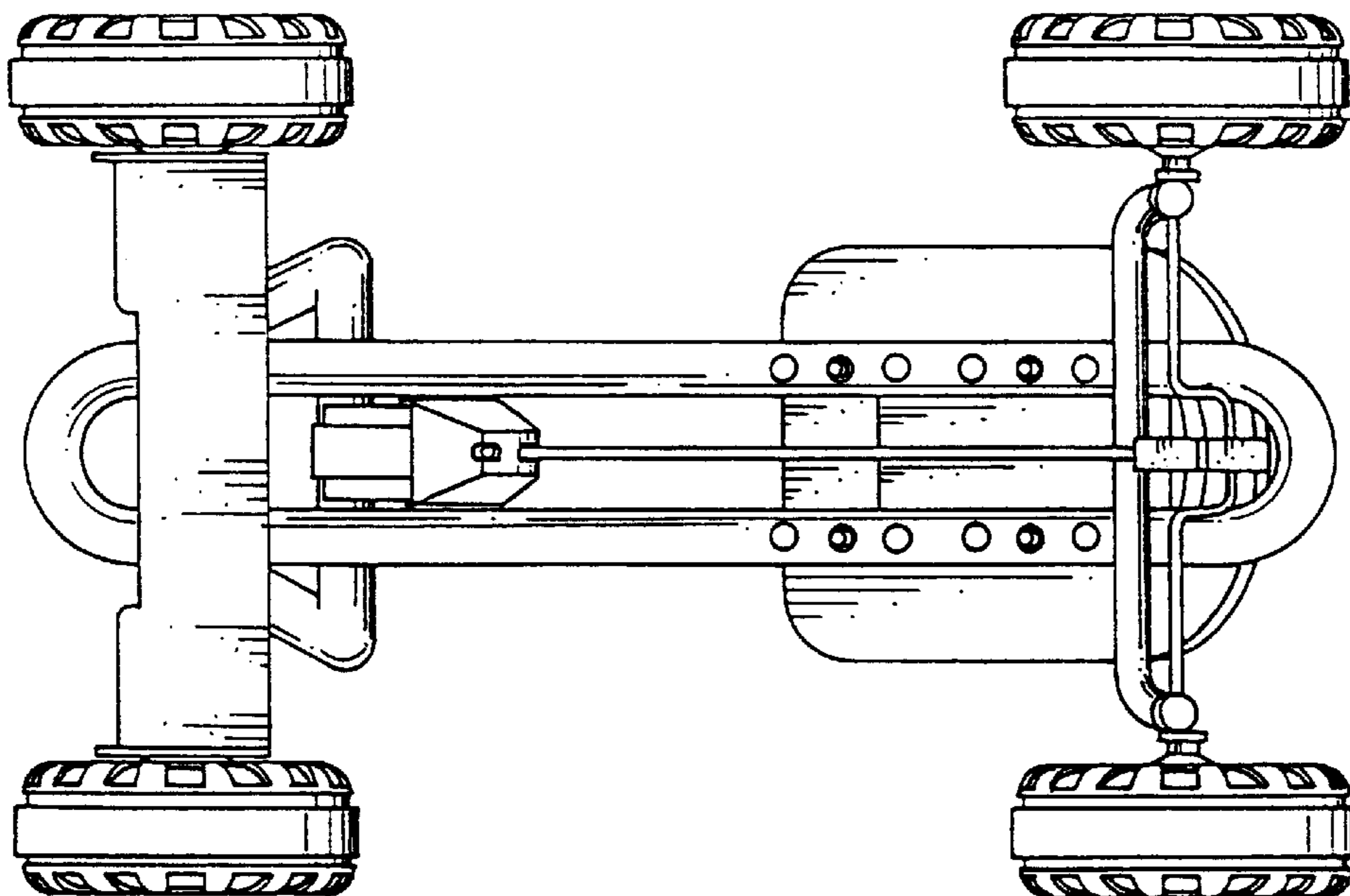


FIG. 4

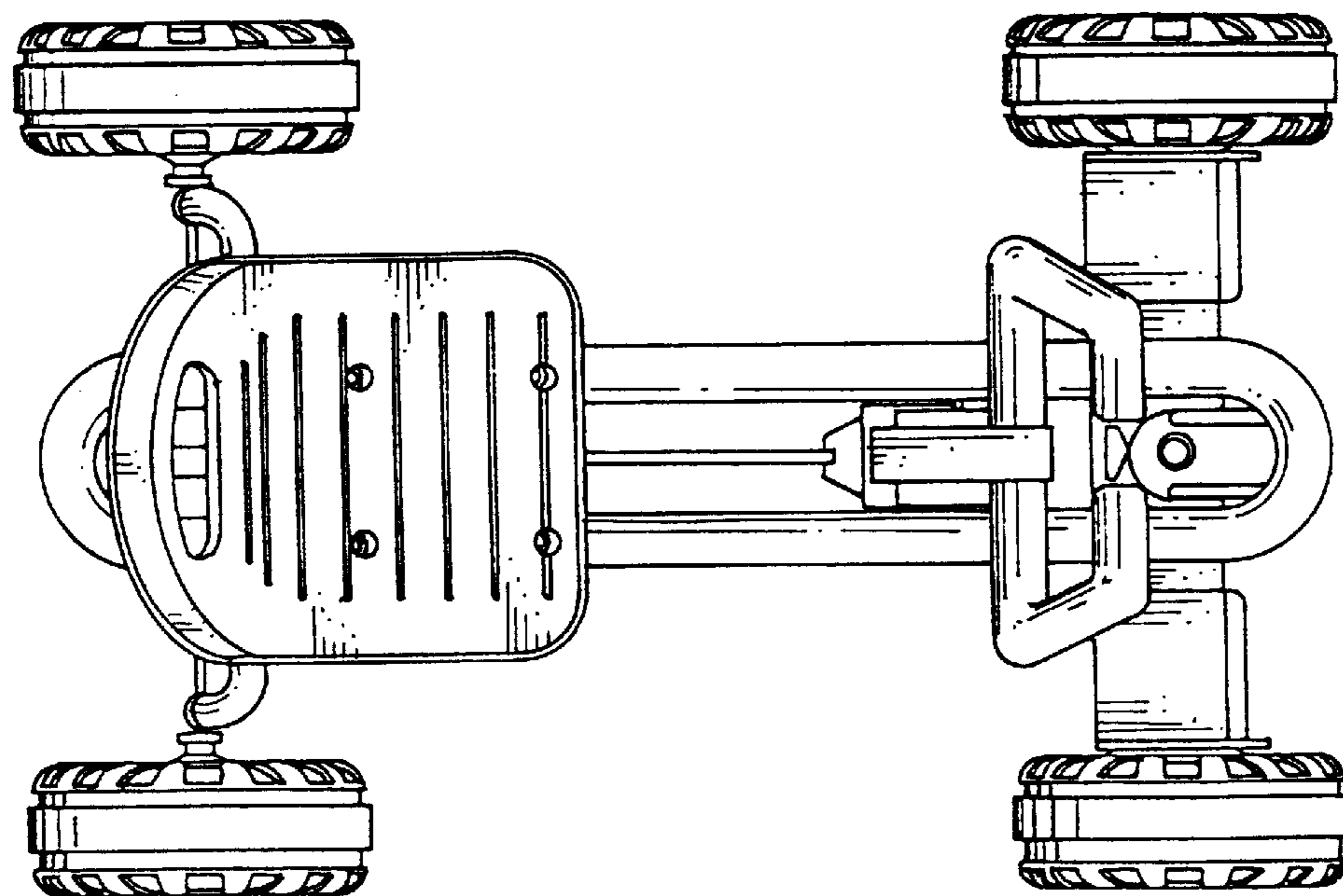


FIG. 5

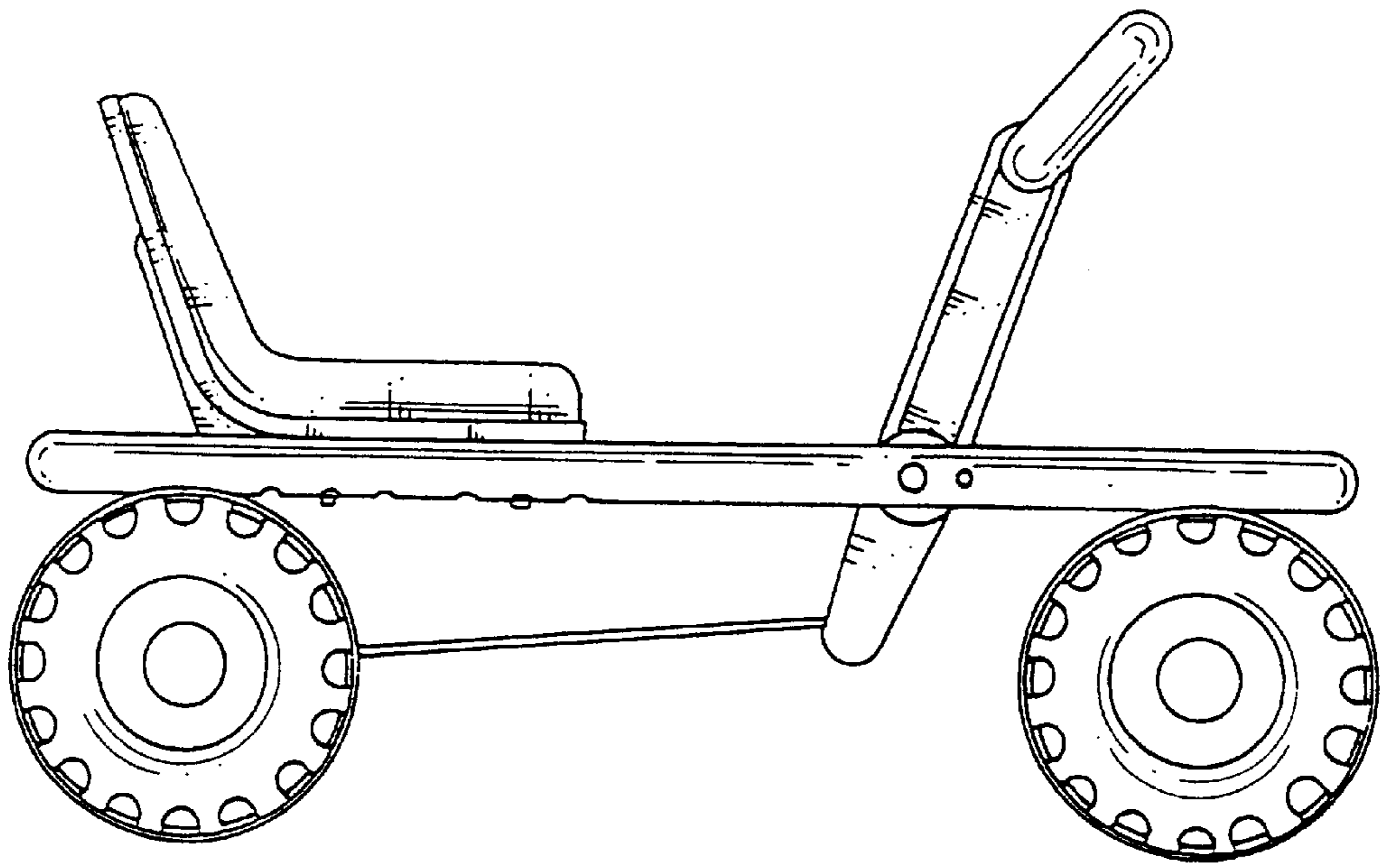


FIG. 6

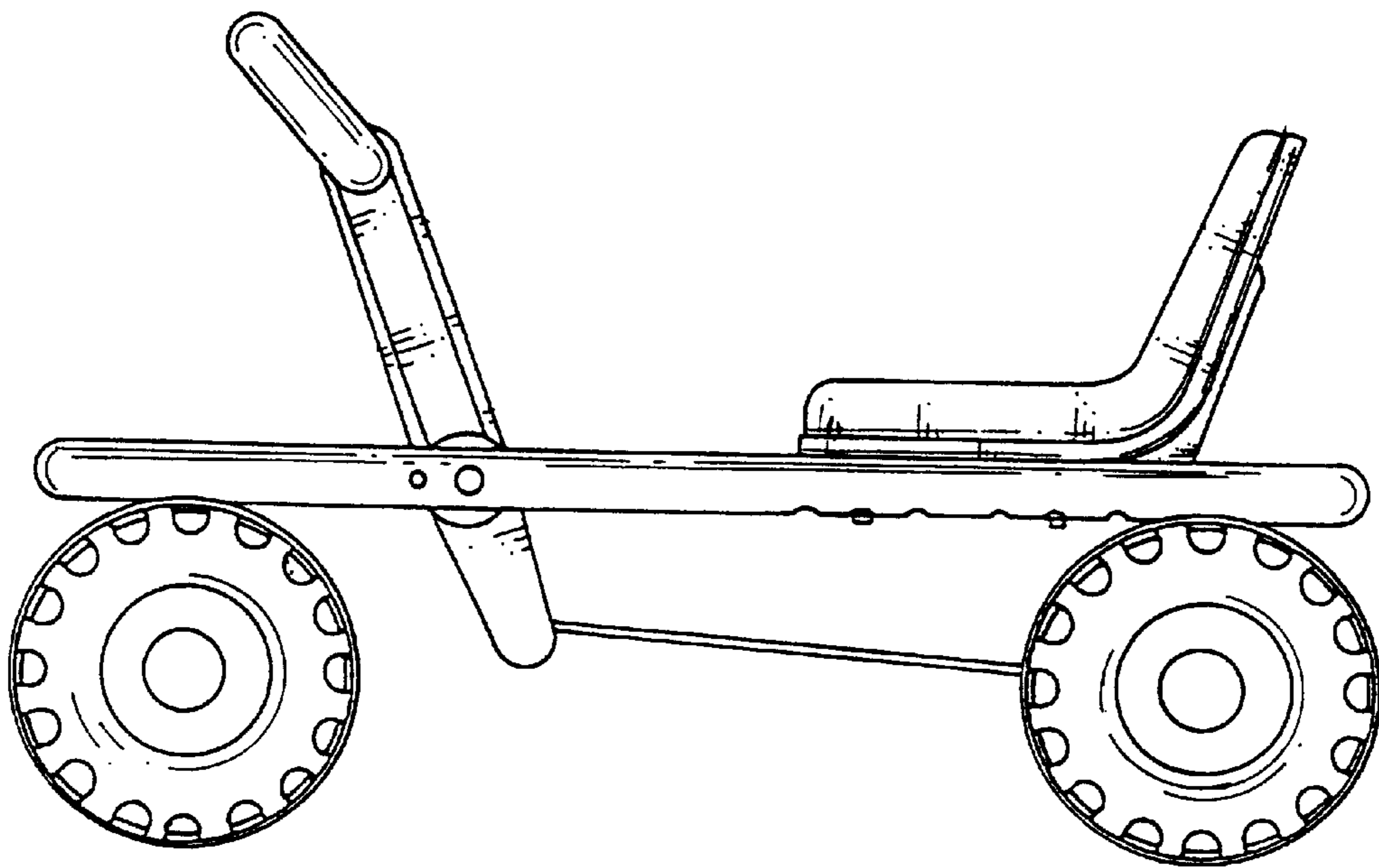


FIG. 7