



US00D437363S

(12) **United States Design Patent**
Chen

(10) **Patent No.:** **US D437,363 S**

(45) **Date of Patent:** **** Feb. 6, 2001**

(54) **SCOOTER FRAME**

(75) **Inventor:** **Ting-Hsing Chen, Tainan Hsien (TW)**

(73) **Assignee:** **Far Great Plastics Industrial Co., Ltd., Tainan Hsien (TW)**

(**) **Term:** **14 Years**

(21) **Appl. No.:** **29/125,730**

(22) **Filed:** **Jun. 29, 2000**

(51) **LOC (7) Cl.** **21-01**

(52) **U.S. Cl.** **D21/423**

(58) **Field of Search** D21/419, 421,
D21/423, 424, 426, 435, 533, 760, 765,
771; D12/107, 110-112, 114, 115, 117,
118; 280/62, 271, 282, 87.021, 87.041,
87.042; 180/181, 216

(56) **References Cited**

U.S. PATENT DOCUMENTS

- D. 30,734 * 5/1899 Fechtel D12/117
- D. 149,730 * 5/1948 Bancroft D21/423
- D. 224,254 * 7/1972 Hill D12/112

- D. 345,948 * 4/1994 Chen D12/112
- D. 392,001 * 3/1998 Chen D21/423
- D. 414,220 * 9/1999 Catto D21/423
- D. 430,071 * 8/2000 Hudnall D12/112
- 4,394,029 * 7/1983 Holmgren 280/271
- 4,799,701 * 1/1989 Lindau 280/87.041
- 5,954,349 * 9/1999 Rutzel 280/87.041

* cited by examiner

Primary Examiner—Raphael Barkai

(74) *Attorney, Agent, or Firm*—Rosenberg, Klein & Lee

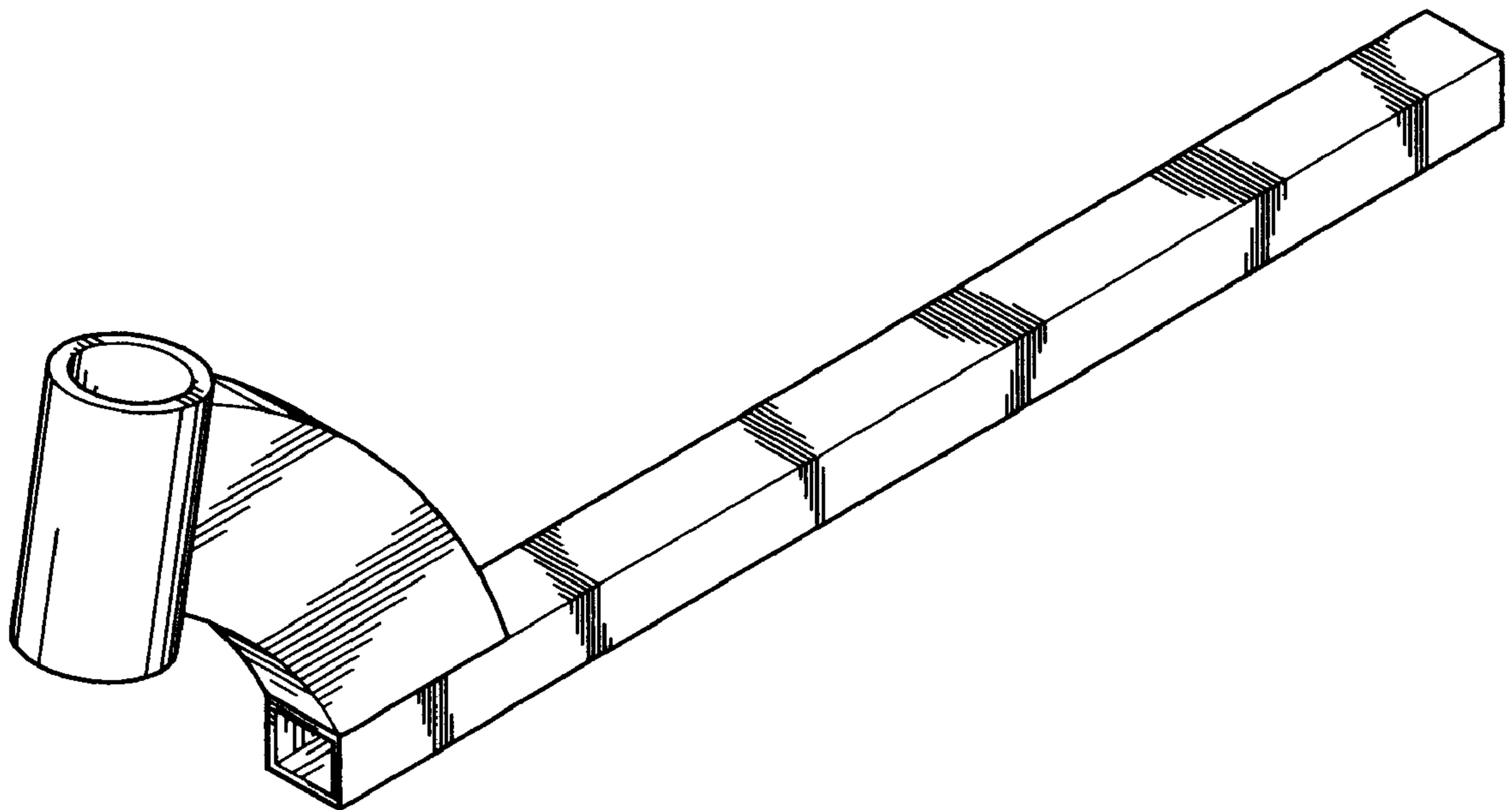
(57) **CLAIM**

The ornamental design for a scooter frame, as shown and described.

DESCRIPTION

FIG. 1 is a perspective view of the scooter frame;
 FIG. 2 is a front elevational view thereof;
 FIG. 3 is a rear elevational view thereof;
 FIG. 4 is a left side elevational view thereof;
 FIG. 5 is a right side elevational view thereof;
 FIG. 6 is a bottom view thereof; and,
 FIG. 7 is a top view thereof.

1 Claim, 4 Drawing Sheets



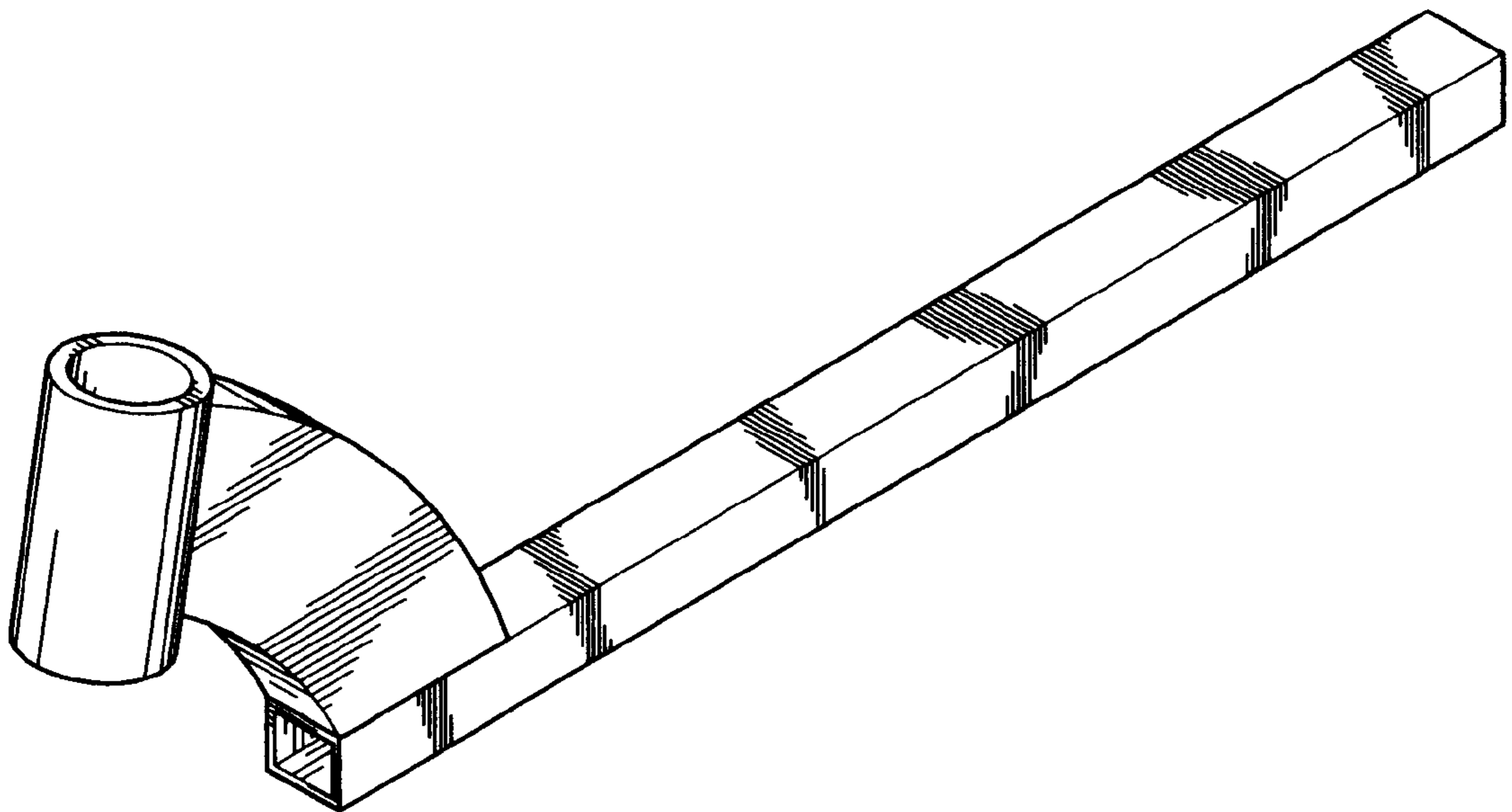


FIG. 1

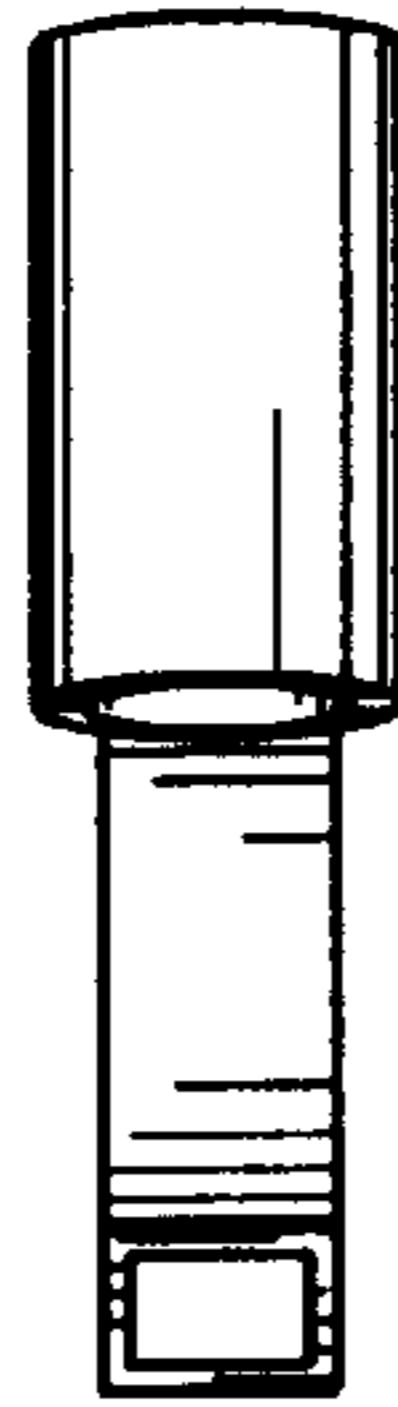


FIG. 2

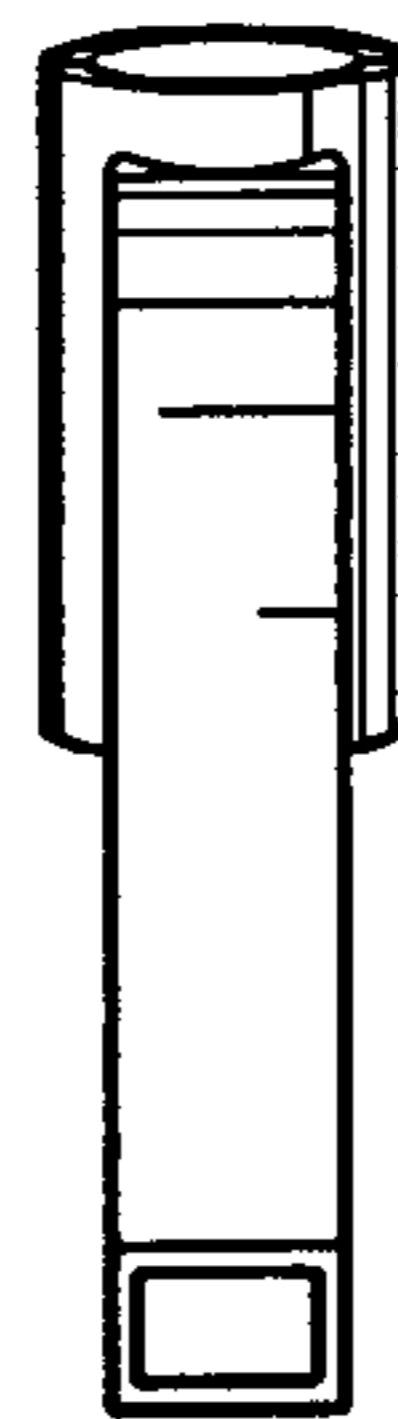


FIG. 3

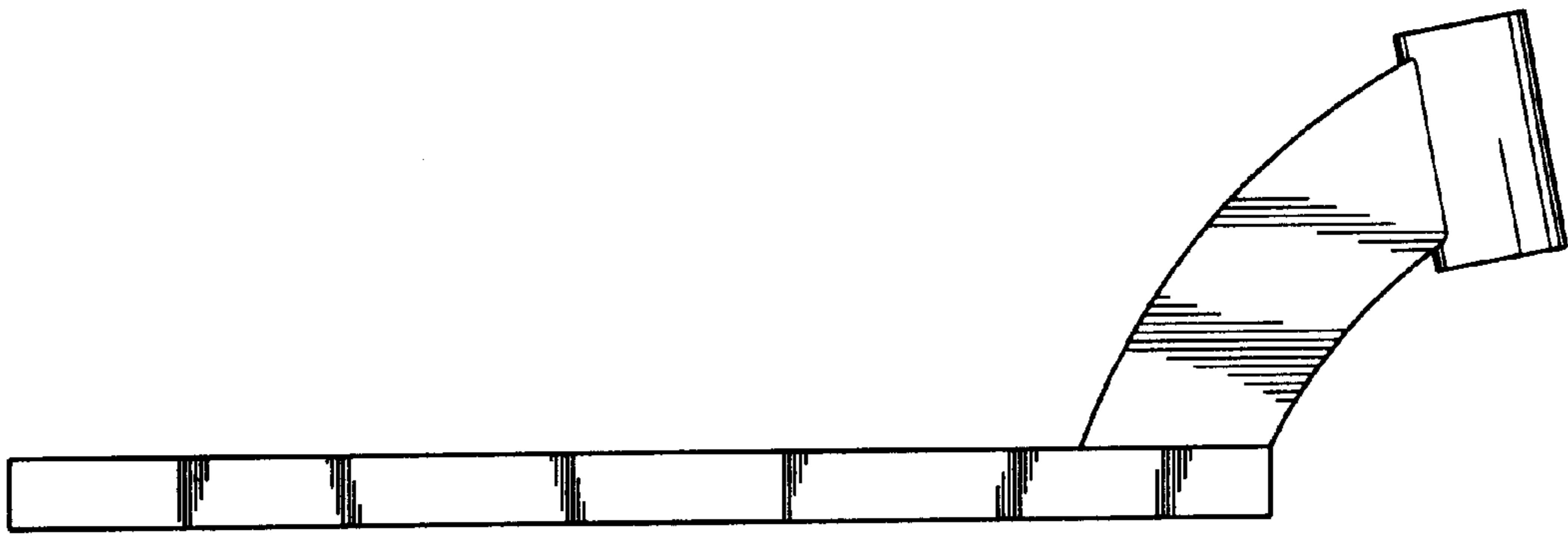


FIG. 4

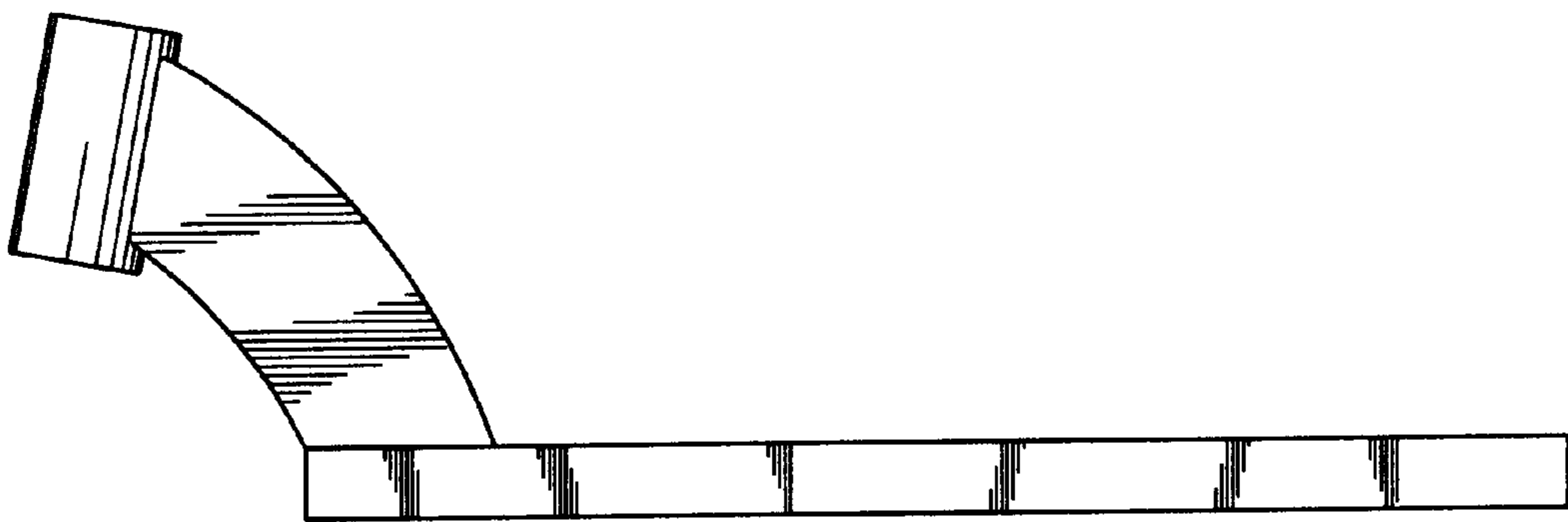


FIG. 5

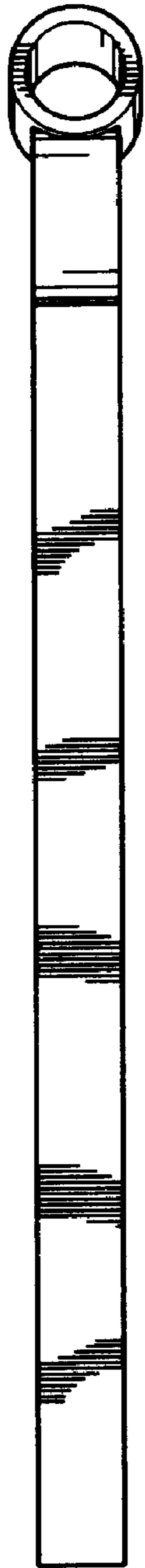


FIG. 7

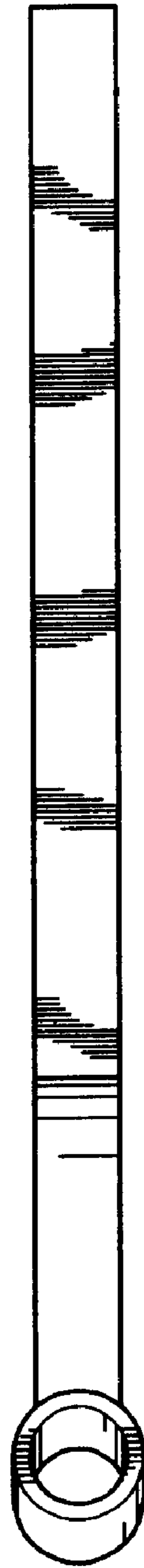


FIG. 6