



US00D437359S

(12) **United States Design Patent**
Discoe

(10) **Patent No.:** **US D437,359 S**

(45) **Date of Patent:** **** Feb. 6, 2001**

- (54) **HAND HELD ELECTRONIC GAME**
- (75) Inventor: **Justin M. Discoe**, The Colony, TX
(US)
- (73) Assignee: **Radica China Limited** (VG)
- (**) Term: **14 Years**
- (21) Appl. No.: **29/118,312**
- (22) Filed: **Feb. 8, 2000**
- (51) **LOC (7) Cl.** **21-01**
- (52) **U.S. Cl.** **D21/329**
- (58) **Field of Search** D21/324, 329,
D21/330, 333; D14/496, 426, 400, 401;
273/148 B, 457; 463/1, 29-35, 46, 47;
345/156, 903, 905; 43/1, 4, 17, 18.1; D22/134,
138, 139, 148

- 5,232,223 * 8/1993 Dornbusch 273/148 B
- 5,542,672 * 8/1996 Meredith 463/46 X
- 5,730,655 * 3/1998 Meredith 463/37

* cited by examiner

Primary Examiner—Prabhakar Deshmukh
(74) *Attorney, Agent, or Firm*—Roylance, Abrams, Berdo & Goodman, L.L.P.

(57) **CLAIM**

The ornamental design for a hand held electronic game, as shown and described.

DESCRIPTION

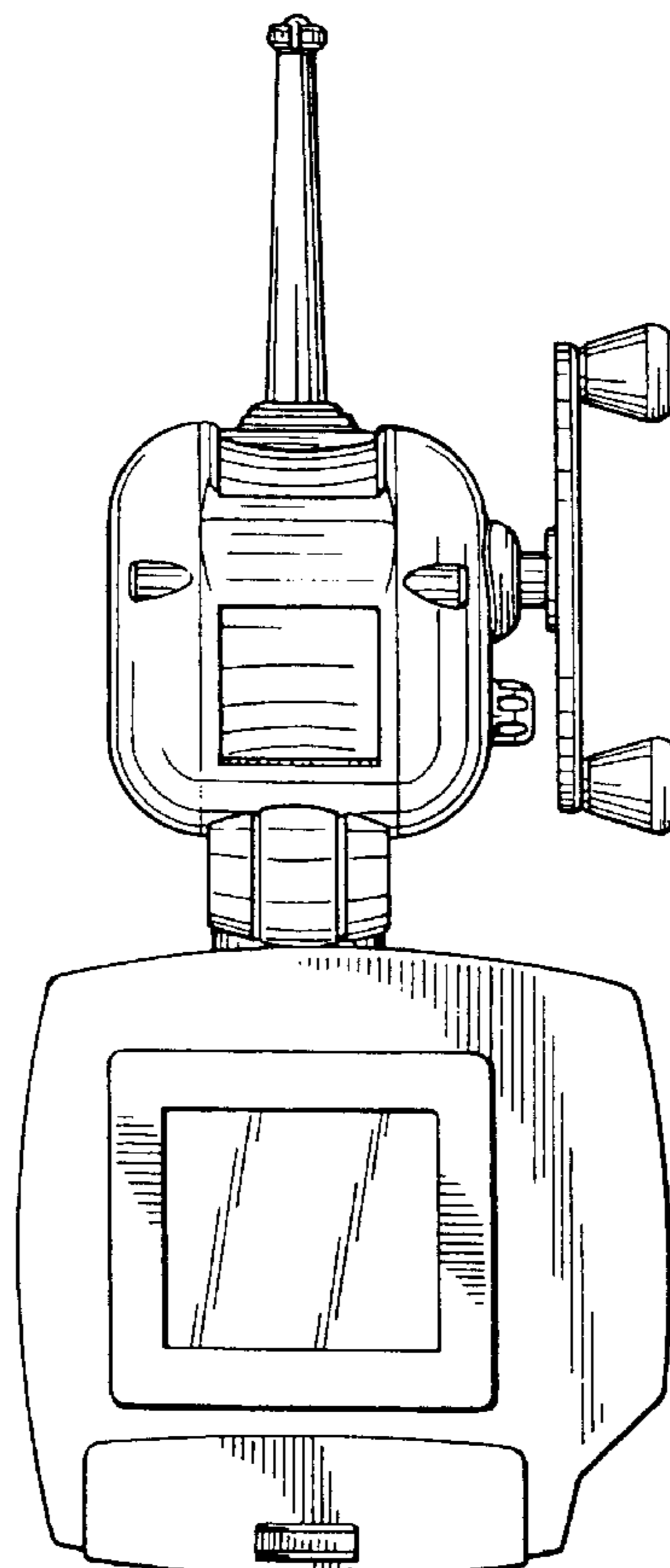
FIG. 1 is a front elevational view of a hand held electronic game in accordance with the new design;
 FIG. 2 is a rear elevational view of the hand held electronic game illustrated in FIG. 1;
 FIG. 3 is a right side elevational view of the hand held electronic game illustrated in FIGS. 1 and 2;
 FIG. 4 is a left side elevational view of the hand held electronic game illustrated in FIGS. 1-3;
 FIG. 5 is a top plan view of the hand held electronic game illustrated in FIGS. 1-4; and,
 FIG. 6 is a bottom plan view of the hand held electronic game illustrated in FIGS. 1-5.

(56) **References Cited**

U.S. PATENT DOCUMENTS

- D. 397,371 * 8/1998 Bagley D21/329
- D. 397,372 * 8/1998 Riggs D21/329
- D. 404,433 * 1/1999 Au Yeung D21/329
- D. 412,016 * 7/1999 Meredith D21/329
- D. 420,398 * 2/2000 Fai D21/329
- 3,924,350 * 12/1975 Hsu 273/457 X

1 Claim, 3 Drawing Sheets



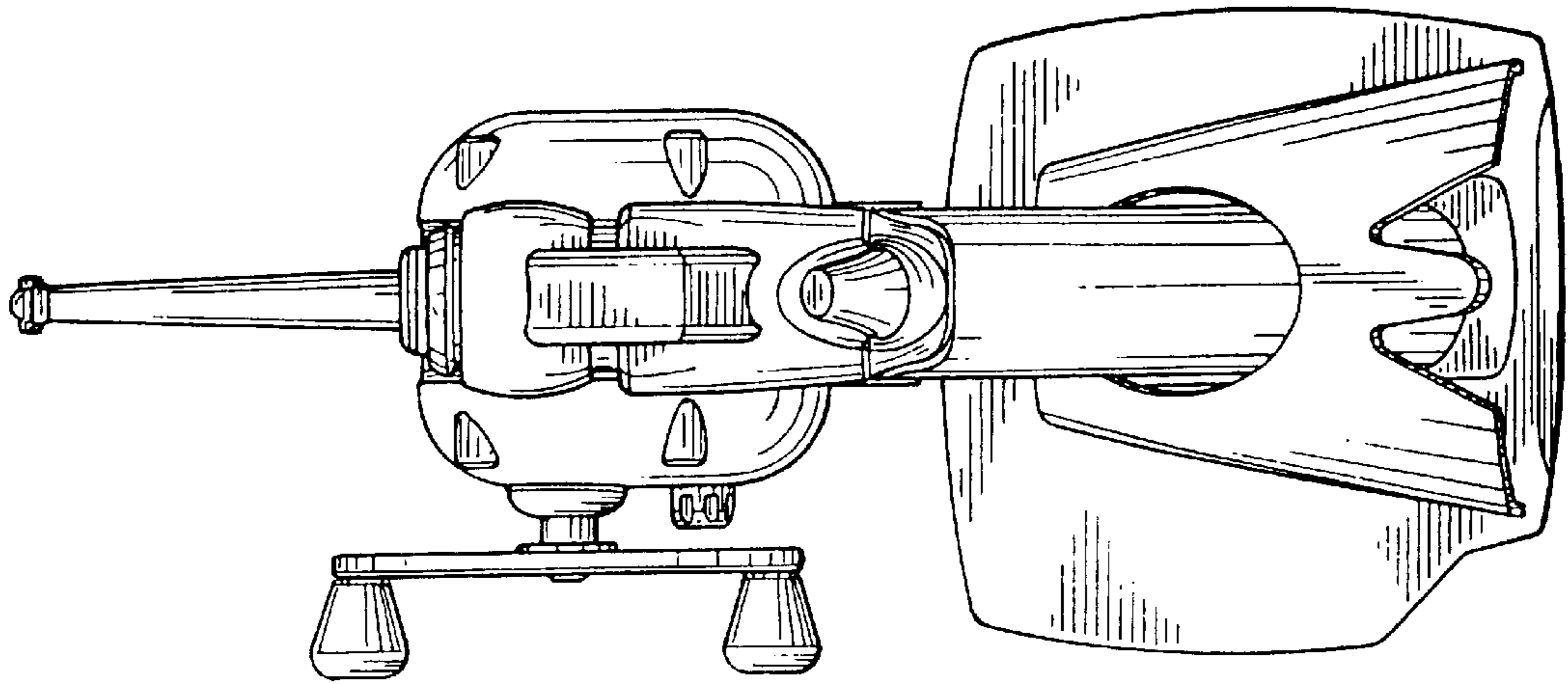


FIG. 2

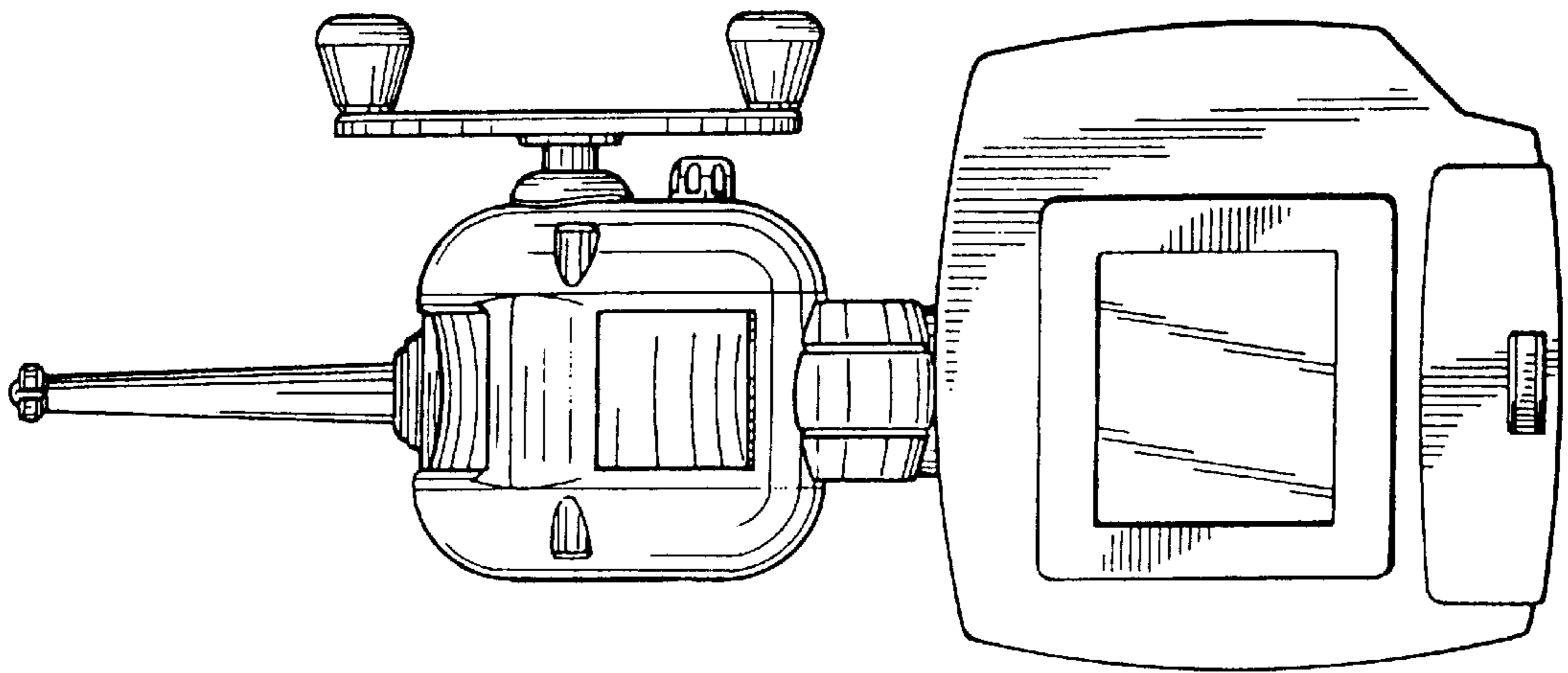


FIG. 1

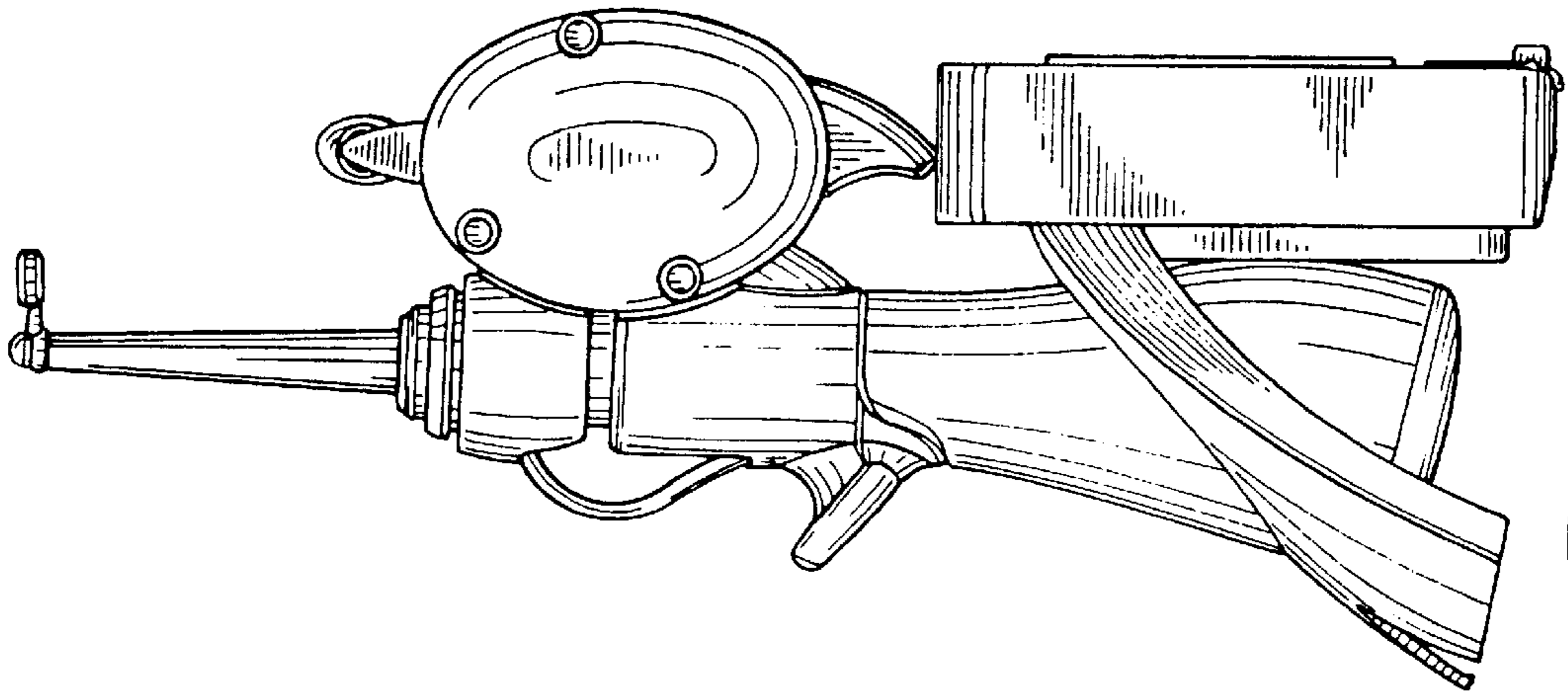


FIG. 4

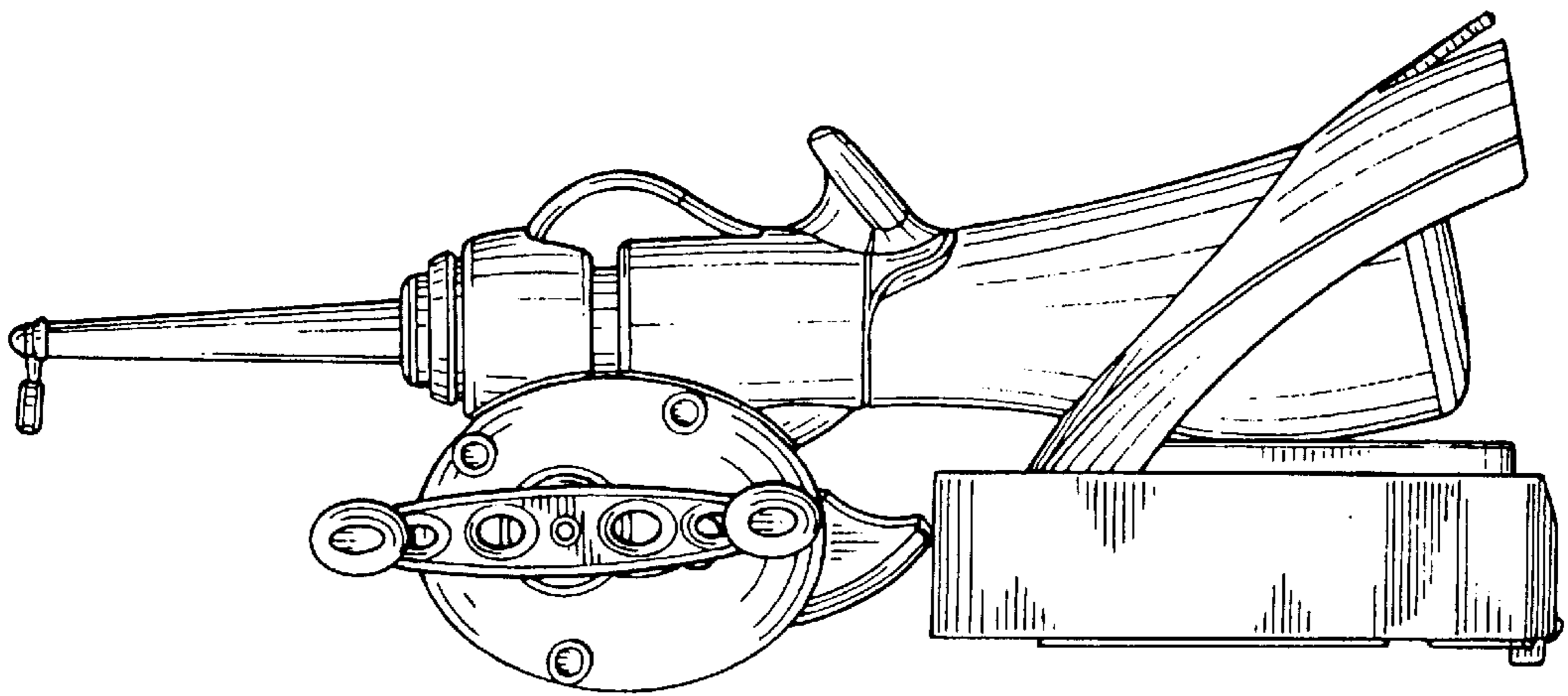


FIG. 3

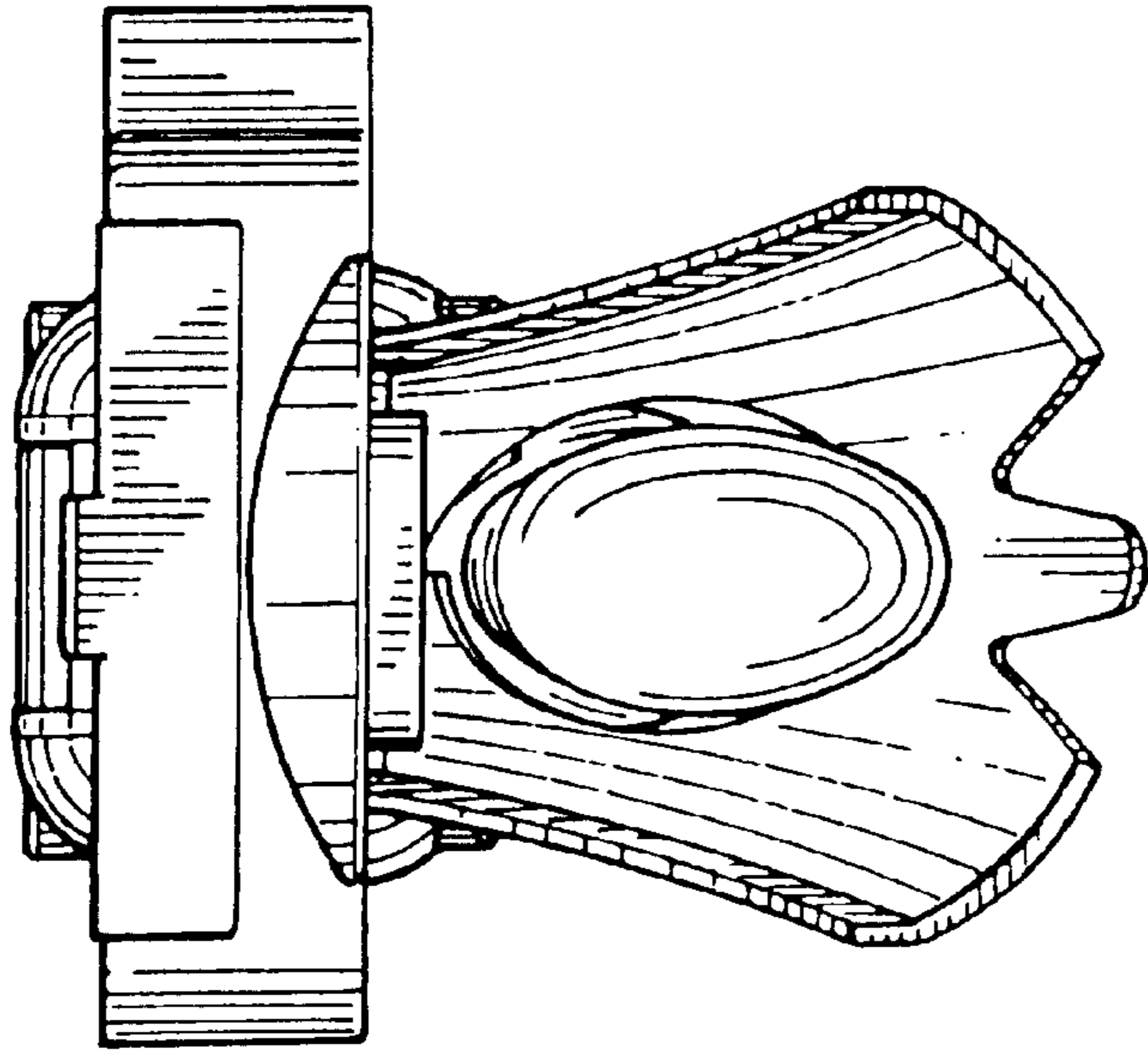


FIG. 6

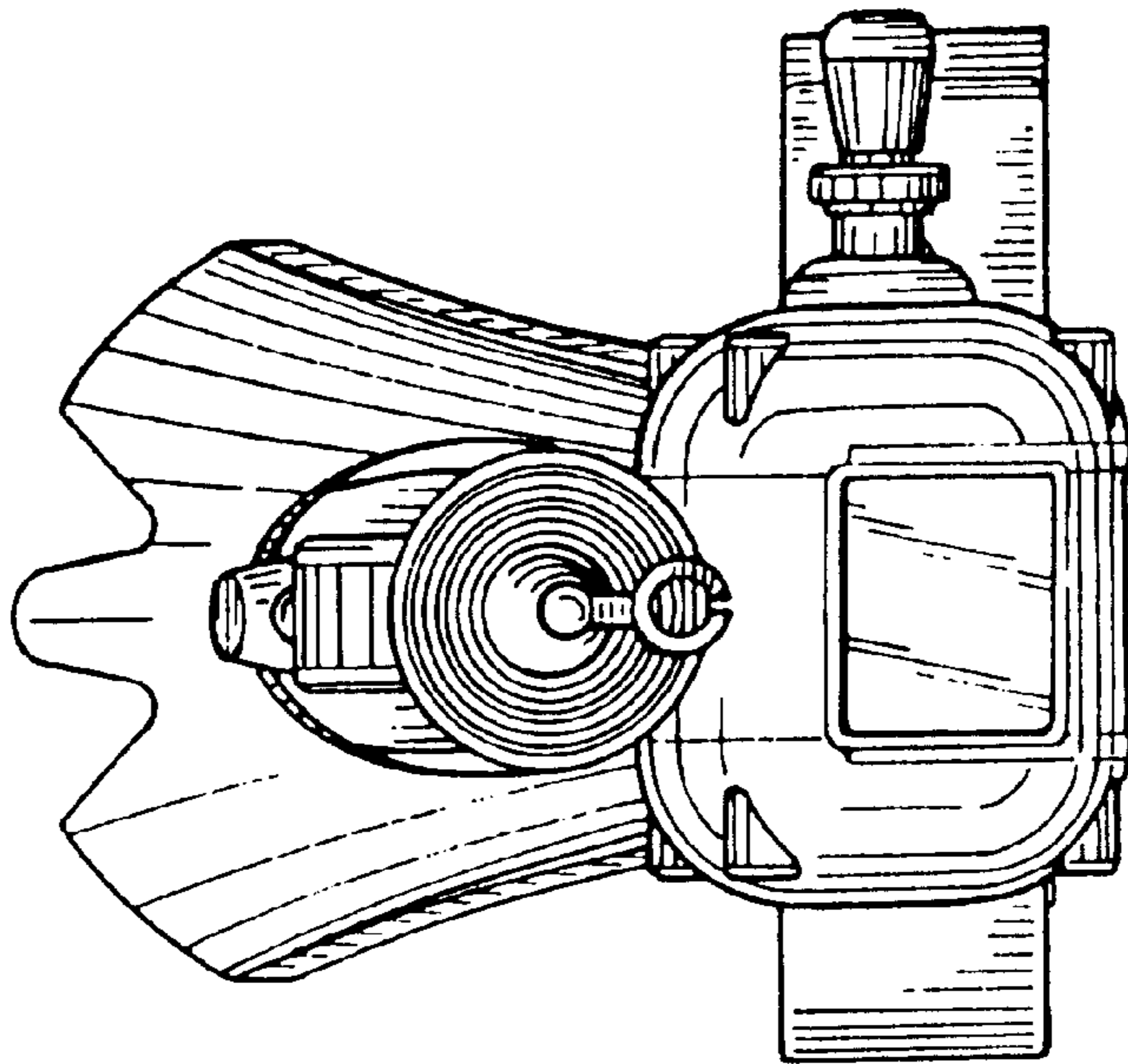


FIG. 5