



US00D437355S

(12) **United States Design Patent**
Kovens et al.

(10) **Patent No.:** **US D437,355 S**

(45) **Date of Patent:** **** Feb. 6, 2001**

(54) **VENDING MACHINE ASSEMBLY**

(75) Inventors: **Steven A. Kovens**, Owings Mills;
Michael T. Gootee, Baltimore; **Robert H. Tegtmeier**, Phoenix, all of MD (US); **Ronald F. Deuel**, Shrewsbury, PA (US)

(73) Assignee: **Parkway Machine Corporation**, Timonium, MD (US)

(**) Term: **14 Years**

(21) Appl. No.: **29/103,978**

(22) Filed: **Apr. 26, 1999**

Related U.S. Application Data

(62) Division of application No. 29/069,632, filed on Mar. 26, 1997, now Pat. No. Des. 416,048.

(51) **LOC (7) Cl.** **20-01**

(52) **U.S. Cl.** **D20/7; D20/1**

(58) **Field of Search** **D7/589; D20/1-9;**
194/205, 350; 221/92, 96, 97, 128, 133,
155, 196, 281, 282, 283, 284

(56) **References Cited**

U.S. PATENT DOCUMENTS

D. 347,448 5/1994 Hinton D20/7

D. 372,500	8/1996	Hinton	D20/7
D. 373,386	9/1996	Beene	D20/7
1,632,838	6/1927	Higgins	.	
2,273,814	2/1942	Bartel et al.	.	
3,390,753	7/1968	Bolen et al.	221/284
4,257,531	3/1981	Kimura et al.	221/227
4,311,227	1/1982	Watkins	194/4 C
4,927,051	5/1990	Falk et al.	221/12
4,967,896	11/1990	Hara	194/217
5,360,093	11/1994	Baer	194/206

OTHER PUBLICATIONS

Vend, Apr. 1, 1965, p. 48. Victor 77 Merchandiser, bottom left.

Primary Examiner—Sandra L. Morris

(74) *Attorney, Agent, or Firm*—Cahn & Samuels, LLP.

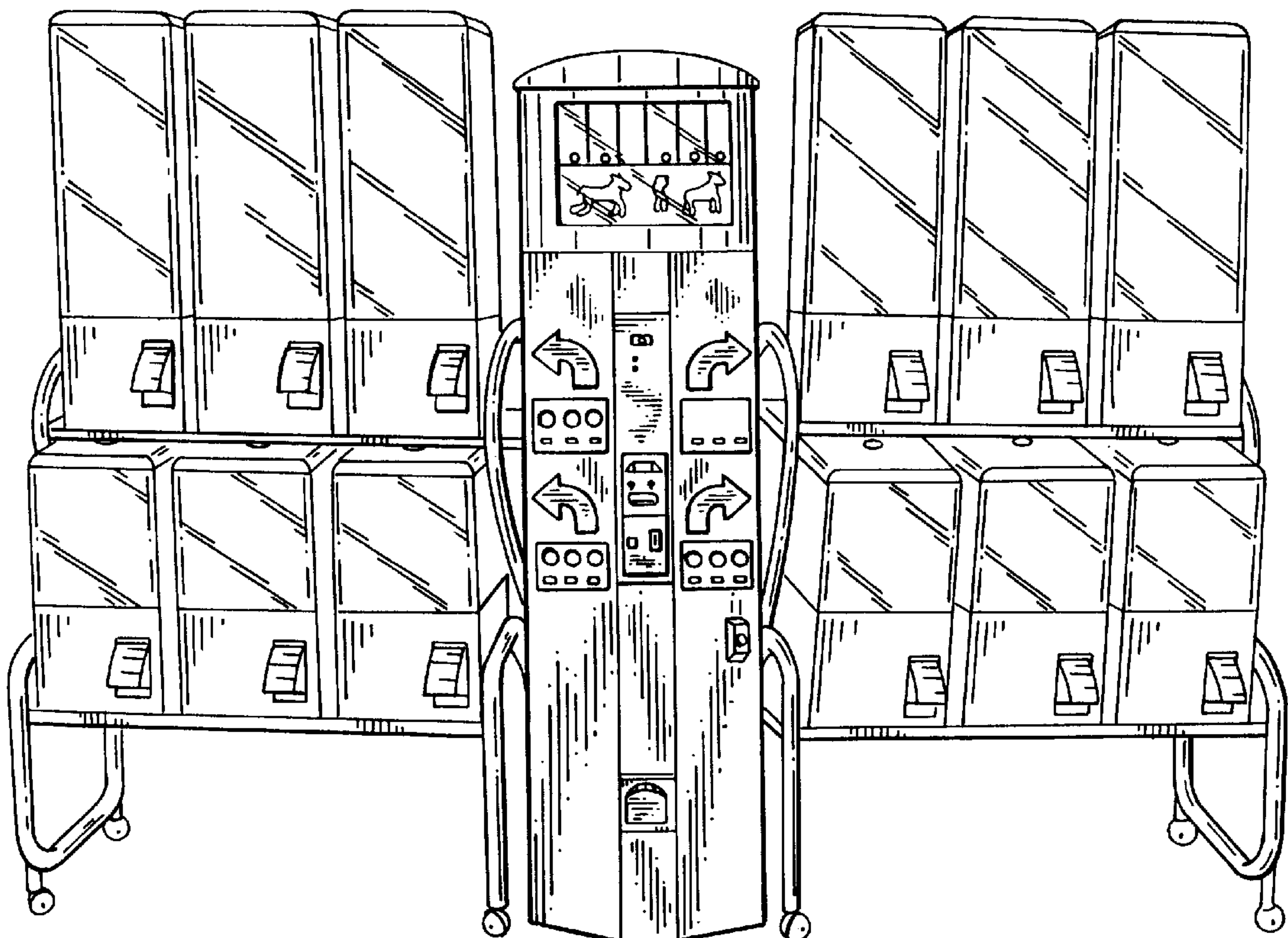
(57) **CLAIM**

The ornamental design for a vending machine assembly, as shown and described.

DESCRIPTION

FIG. 1 is a front perspective view of the vending machine assembly, showing our new design;
FIG. 2 is a rear perspective view thereof;
FIG. 3 is a left side elevational view thereof;
FIG. 4 is a top plan view thereof; and,
FIG. 5 is a bottom perspective view thereof.

1 Claim, 3 Drawing Sheets



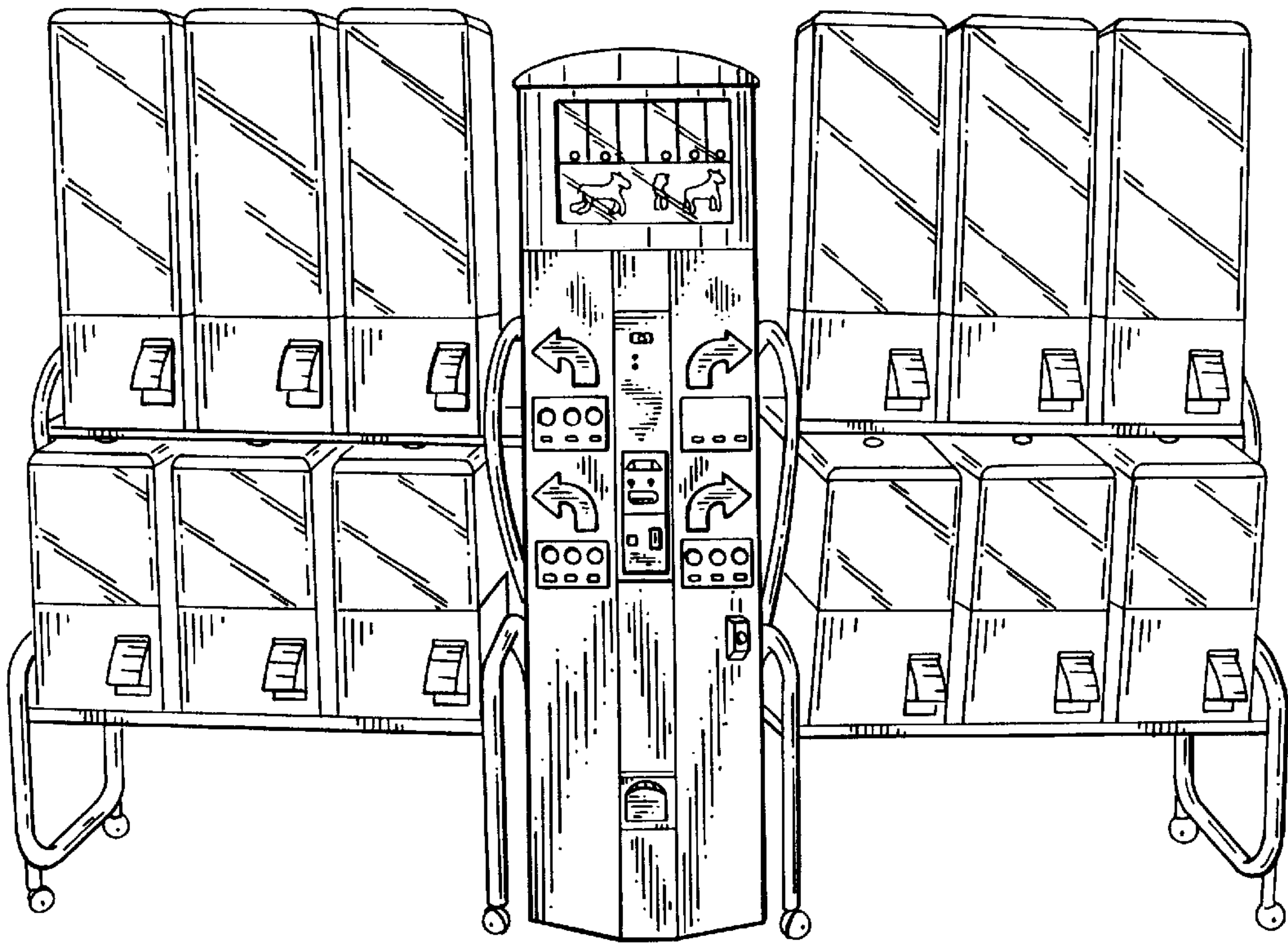
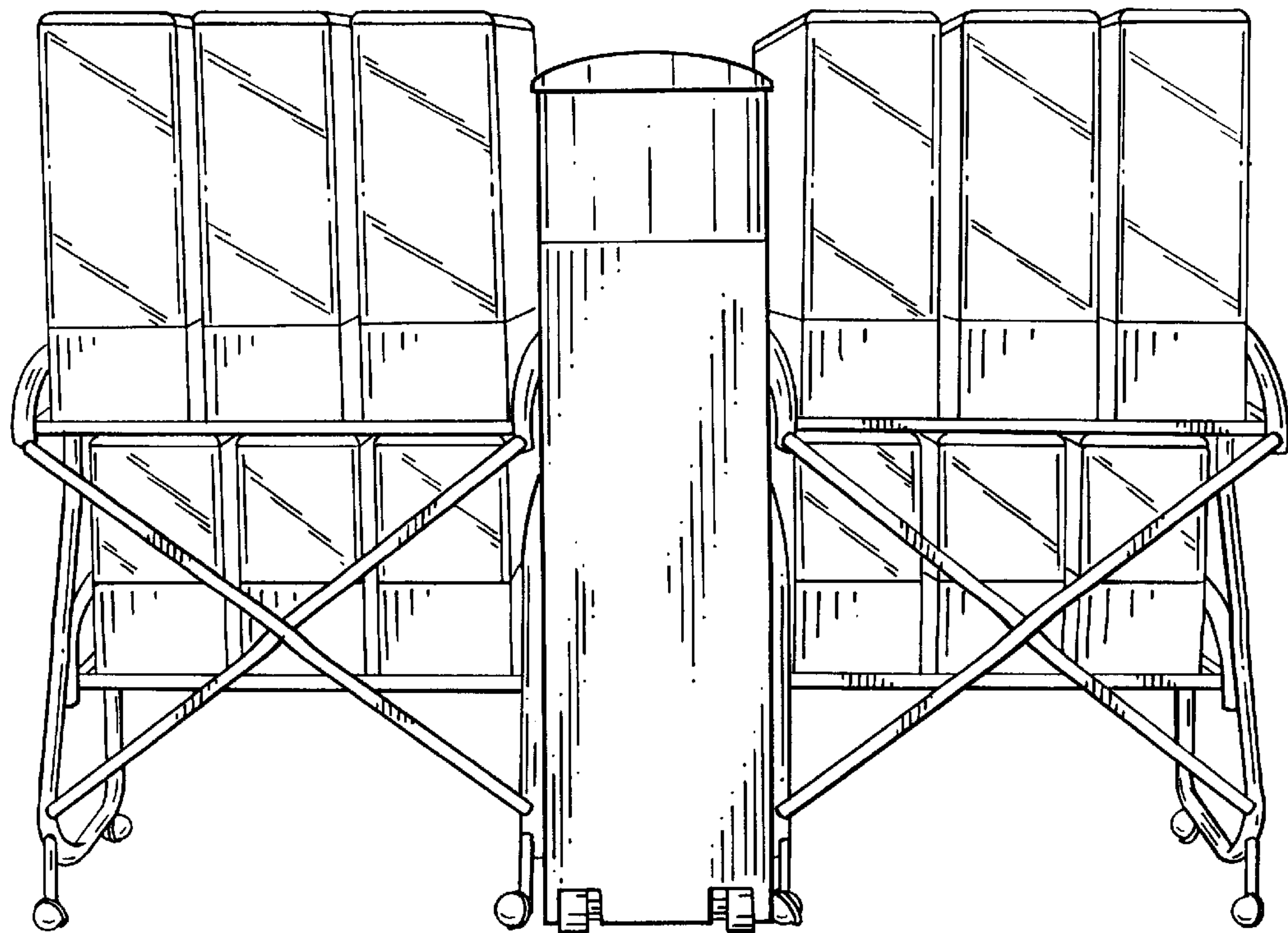


FIG. 1

FIG. 2



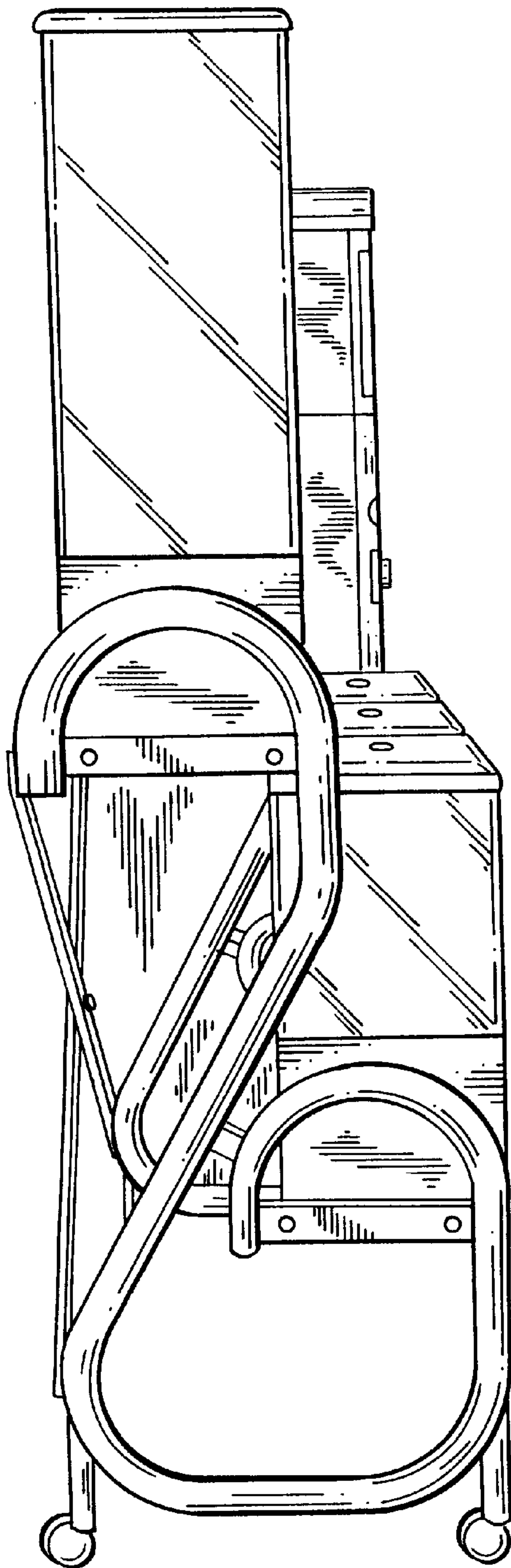


FIG. 3

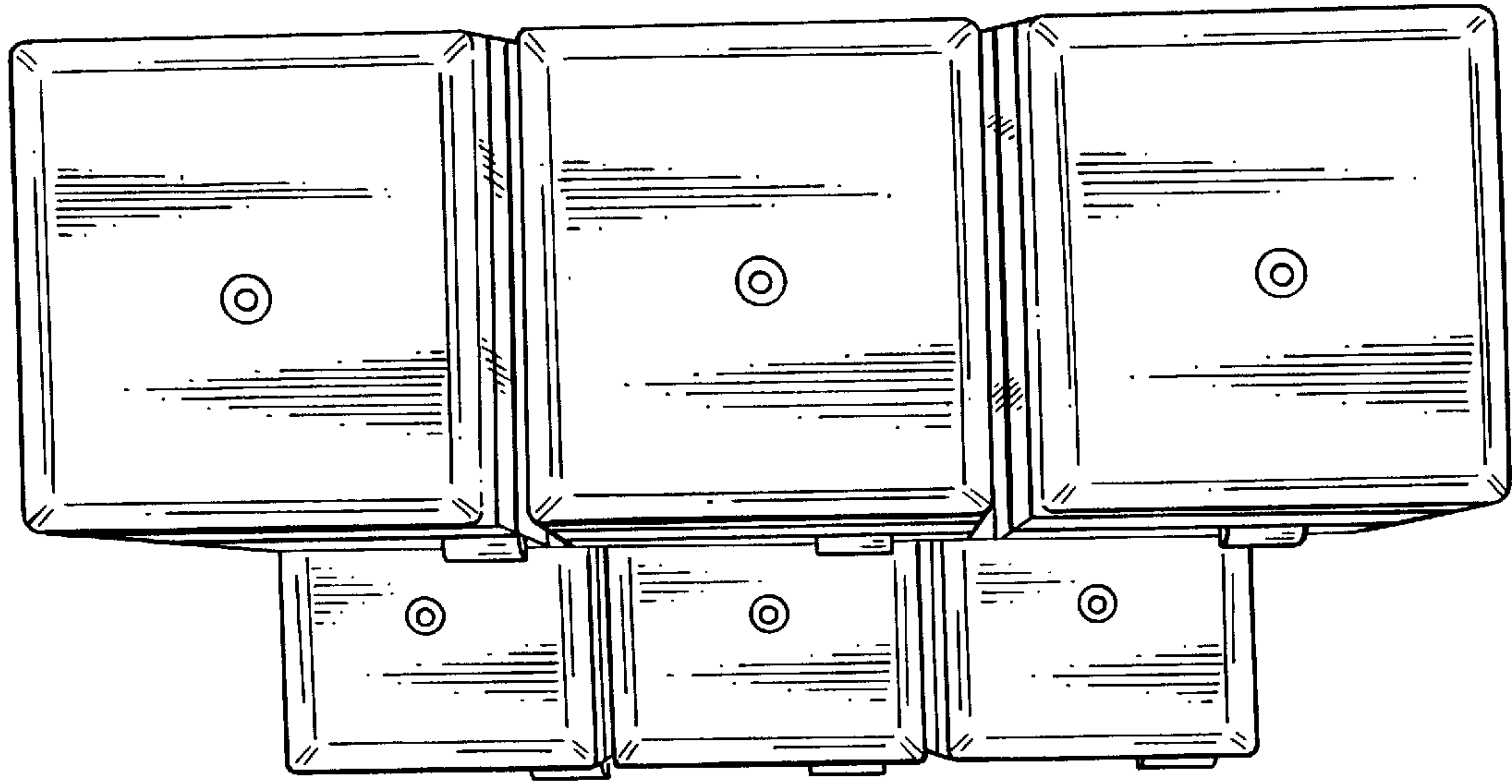


FIG. 4

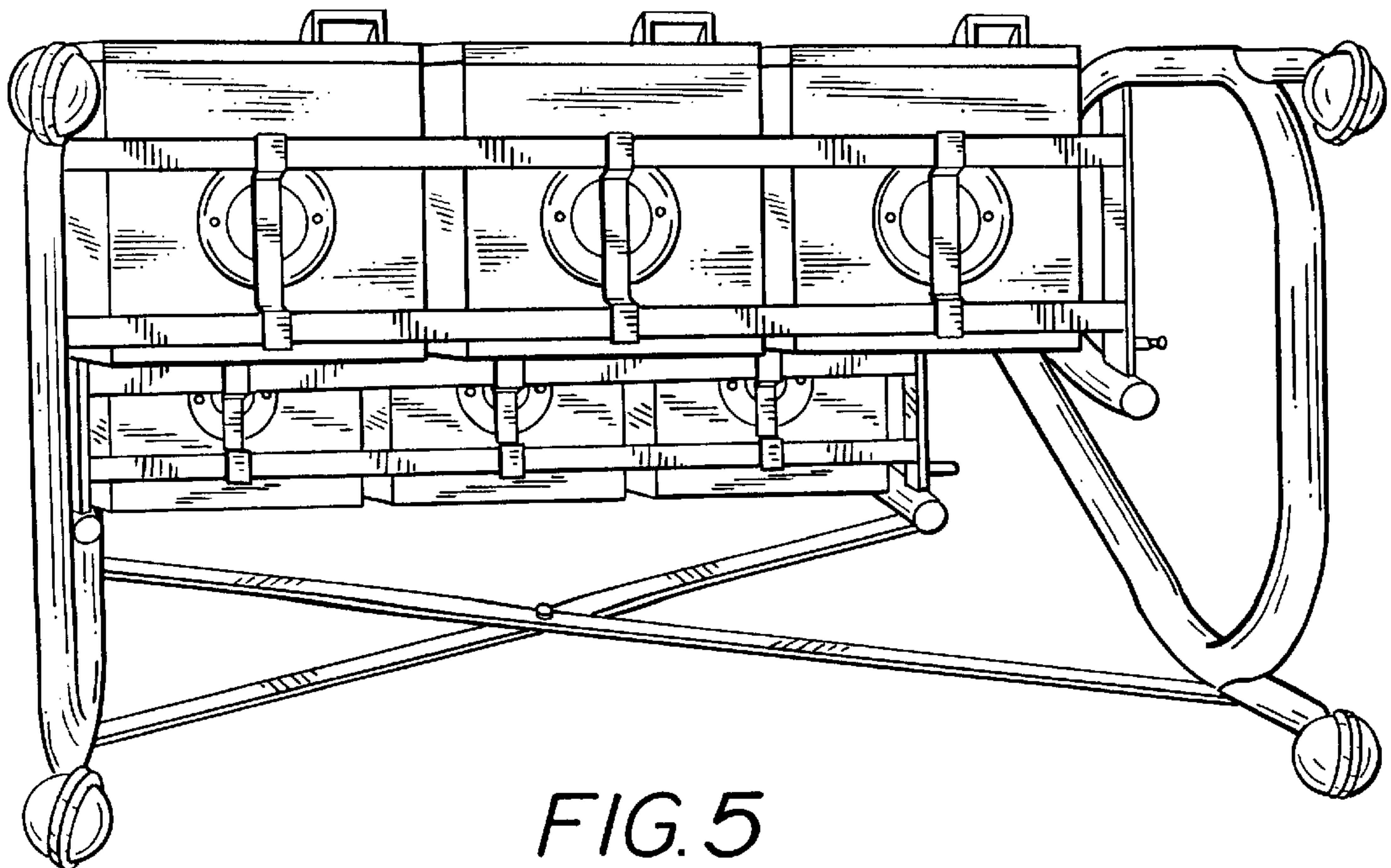


FIG. 5