



US00D437349S

(12) **United States Design Patent**  
**Saito et al.**

(10) **Patent No.:** **US D437,349 S**

(45) **Date of Patent:** **\*\* Feb. 6, 2001**

(54) **PRINTER**

(75) Inventors: **Hiroko Saito; Takeshi Matsubara,**  
both of Yokohama (JP); **Alix Holmes,**  
El Segundo, CA (US)

(73) Assignee: **Fuji Xerox Co., Ltd., Tokyo (JP)**

(\*\*) Term: **14 Years**

(21) Appl. No.: **29/115,589**

(22) Filed: **Dec. 20, 1999**

(30) **Foreign Application Priority Data**

Jun. 23, 1999 (JP) ..... 11-16251

(51) **LOC (7) Cl.** ..... **14-02**

(52) **U.S. Cl.** ..... **D18/55**

(58) **Field of Search** ..... D18/36-39, 50,  
D18/53-56; 400/613, 613.1, 691-694, 690.1-690.4;  
D14/462

(56) **References Cited**

**U.S. PATENT DOCUMENTS**

- D. 324,539 \* 3/1992 Sawa ..... D18/54
- D. 348,078 \* 6/1994 Stewart et al. .... D18/55

- D. 374,889 \* 10/1996 Barbera et al. .... D18/54
- D. 378,300 \* 3/1997 Ito ..... D18/55
- D. 384,694 \* 10/1997 Kobayashi et al. .... D18/55
- D. 386,202 \* 11/1997 Takada ..... D18/55
- D. 402,688 \* 12/1998 Laidlaw ..... D18/53
- D. 423,562 \* 4/2000 Kobayashi ..... D18/55

\* cited by examiner

*Primary Examiner*—Cathy Anne MacCormac

(74) *Attorney, Agent, or Firm*—Oliff & Berridge PLC

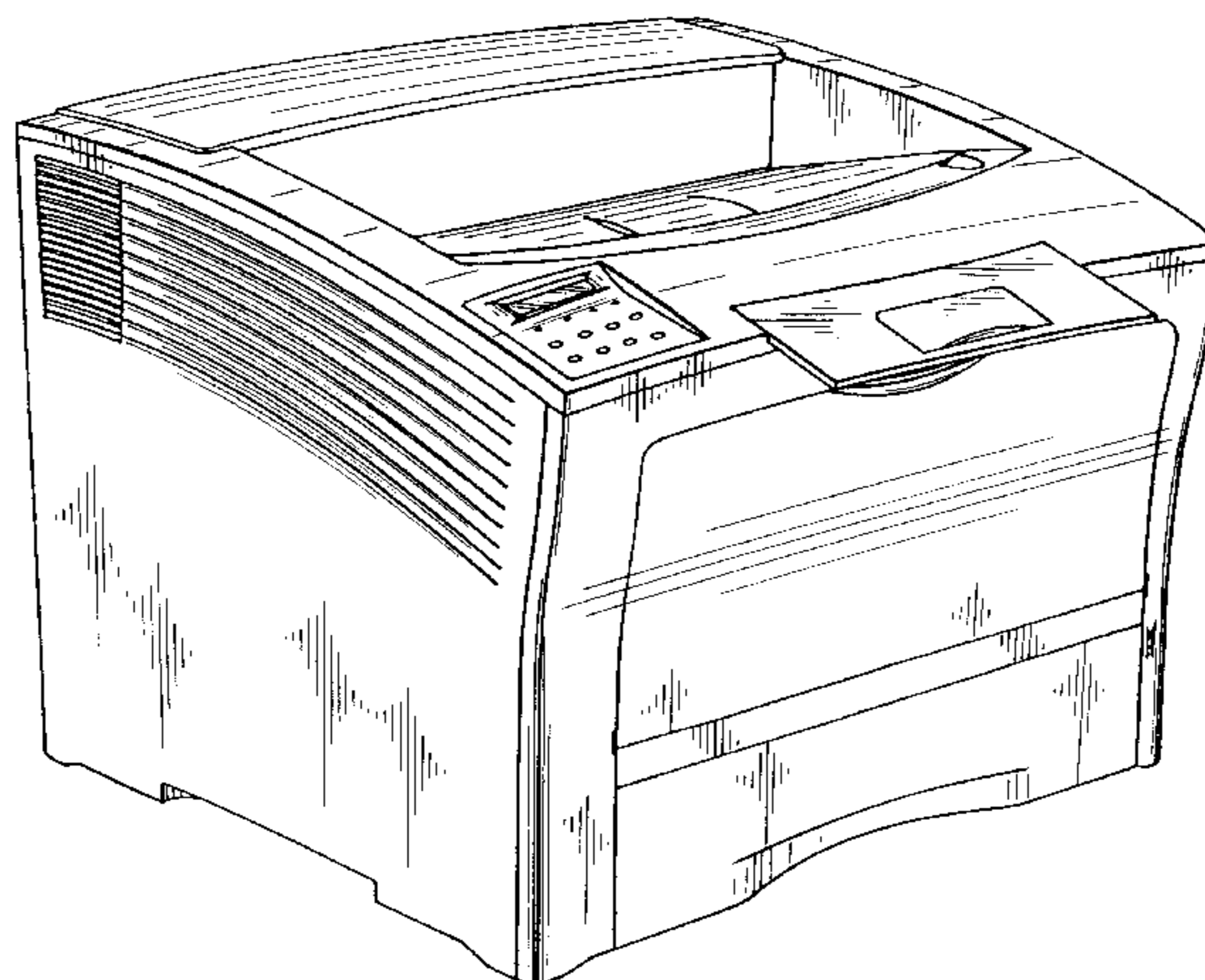
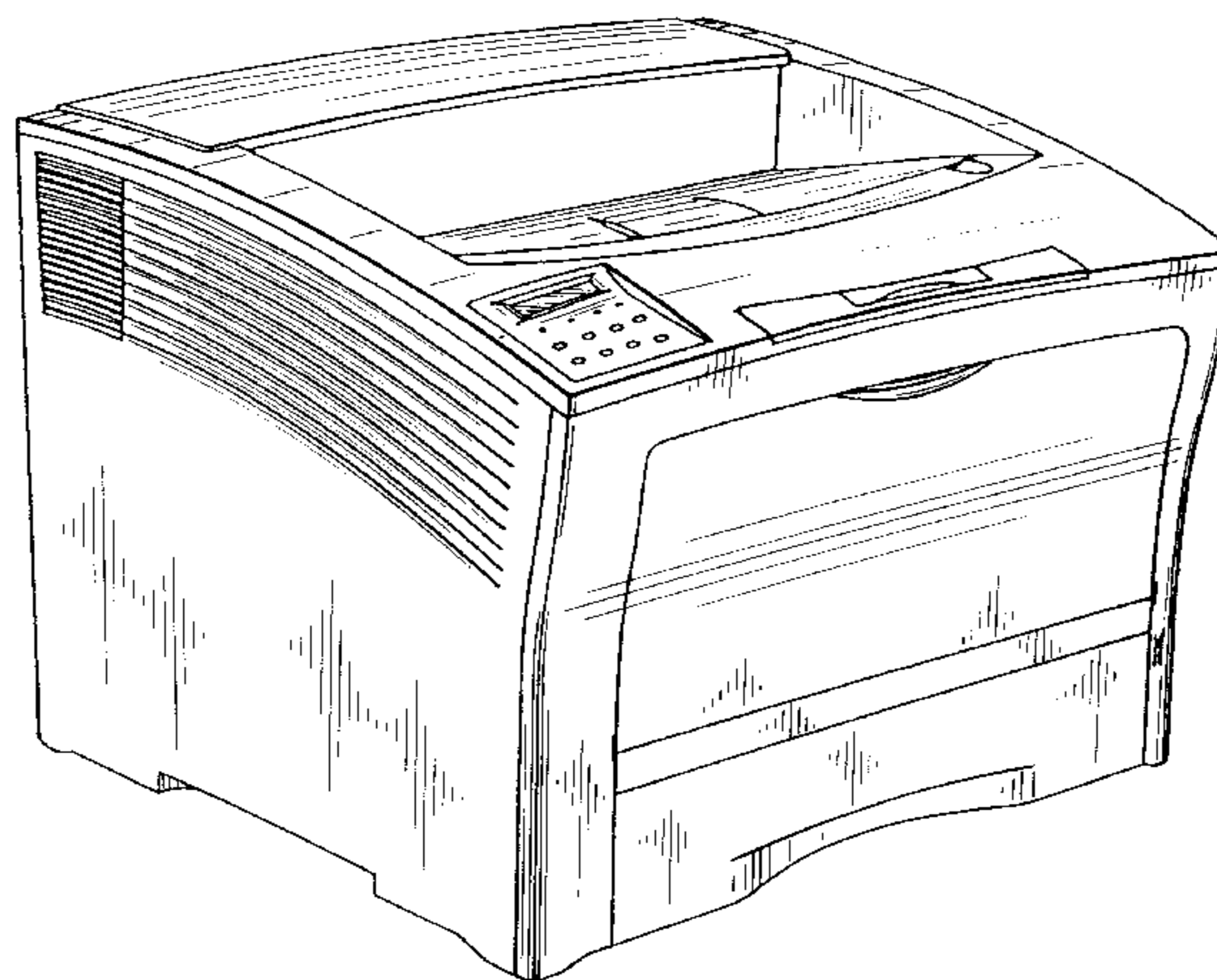
(57) **CLAIM**

The ornamental design for a printer, as shown and described.

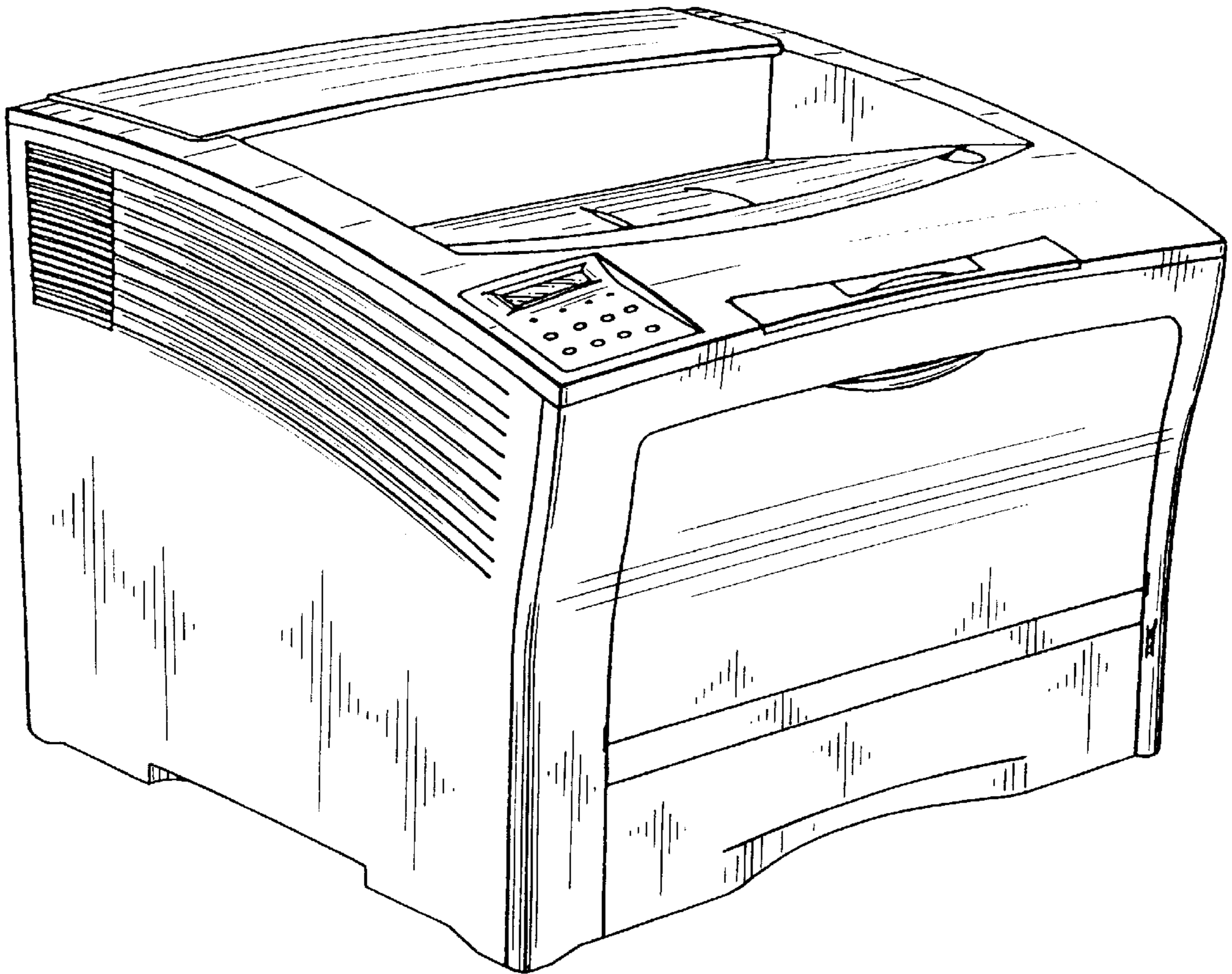
**DESCRIPTION**

FIG. 1 is a perspective view of the top, front and left side of a printer showing our new design;  
 FIG. 2 is a front view thereof;  
 FIG. 3 is a top plan view thereof;  
 FIG. 4 is a right side view thereof;  
 FIG. 5 is a left side view thereof;  
 FIG. 6 is a bottom view thereof;  
 FIG. 7 is a rear view thereof; and,  
 FIG. 8 is a perspective view with the extension tray in extended position.

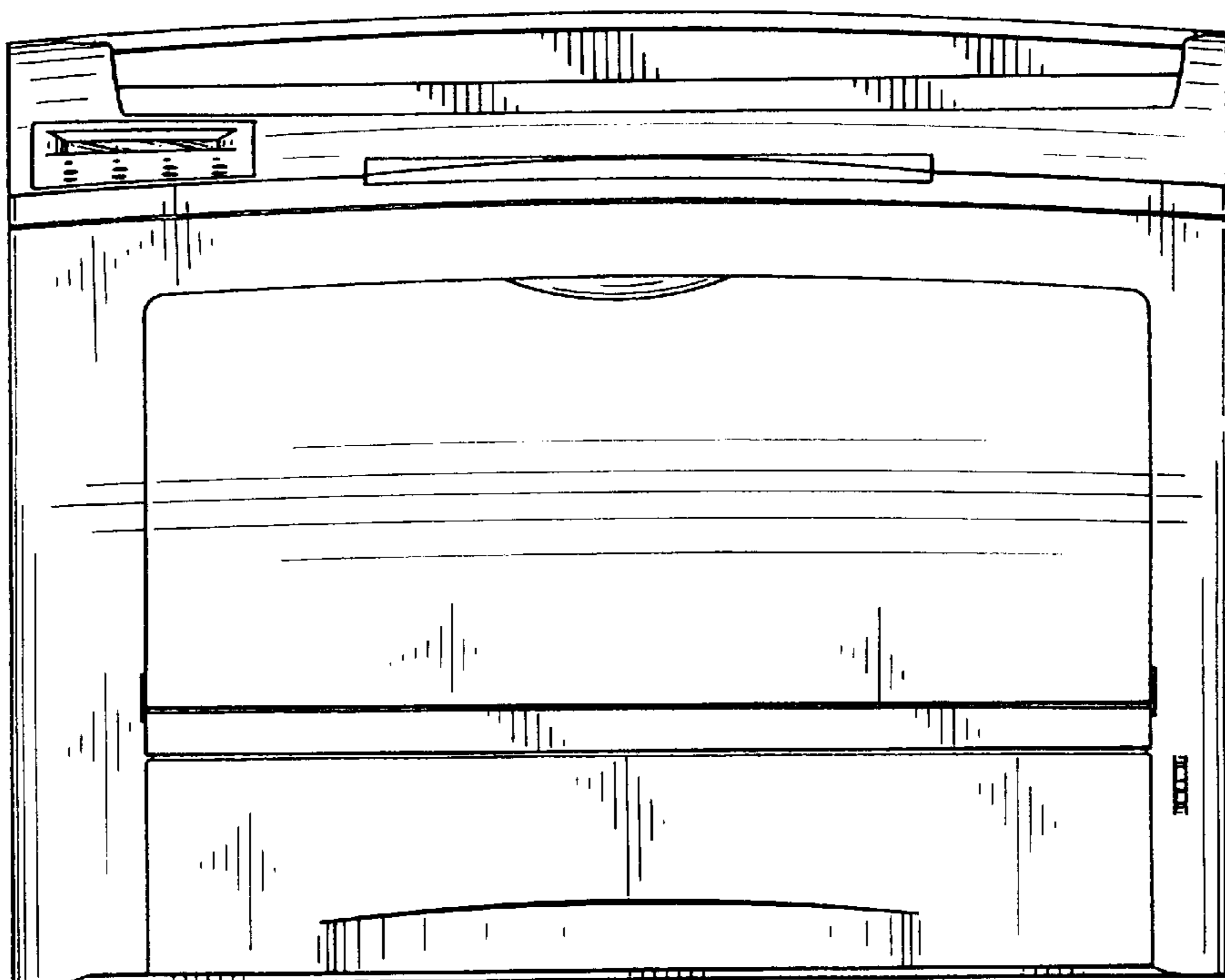
**1 Claim, 4 Drawing Sheets**



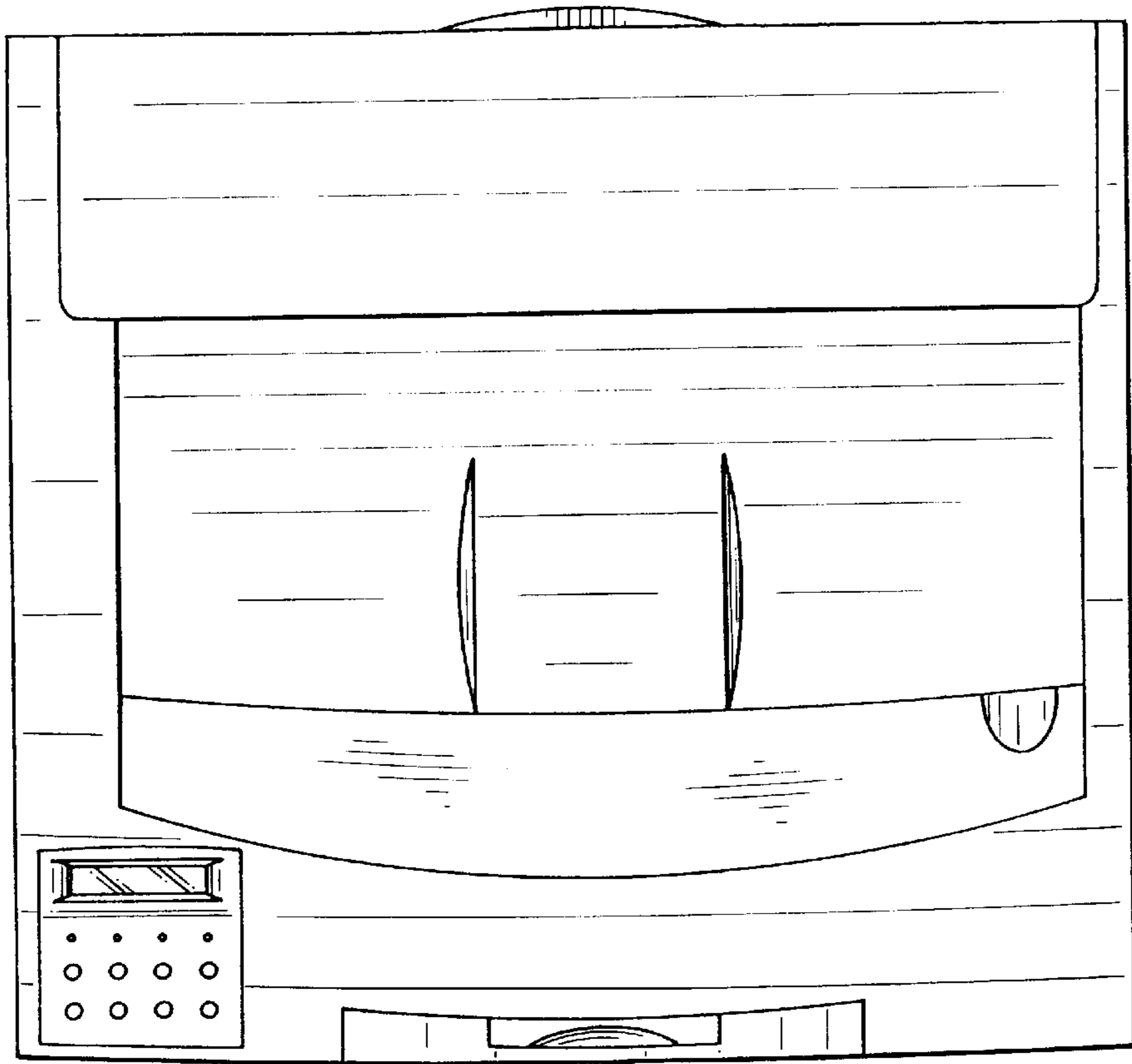
*FIG. 1*



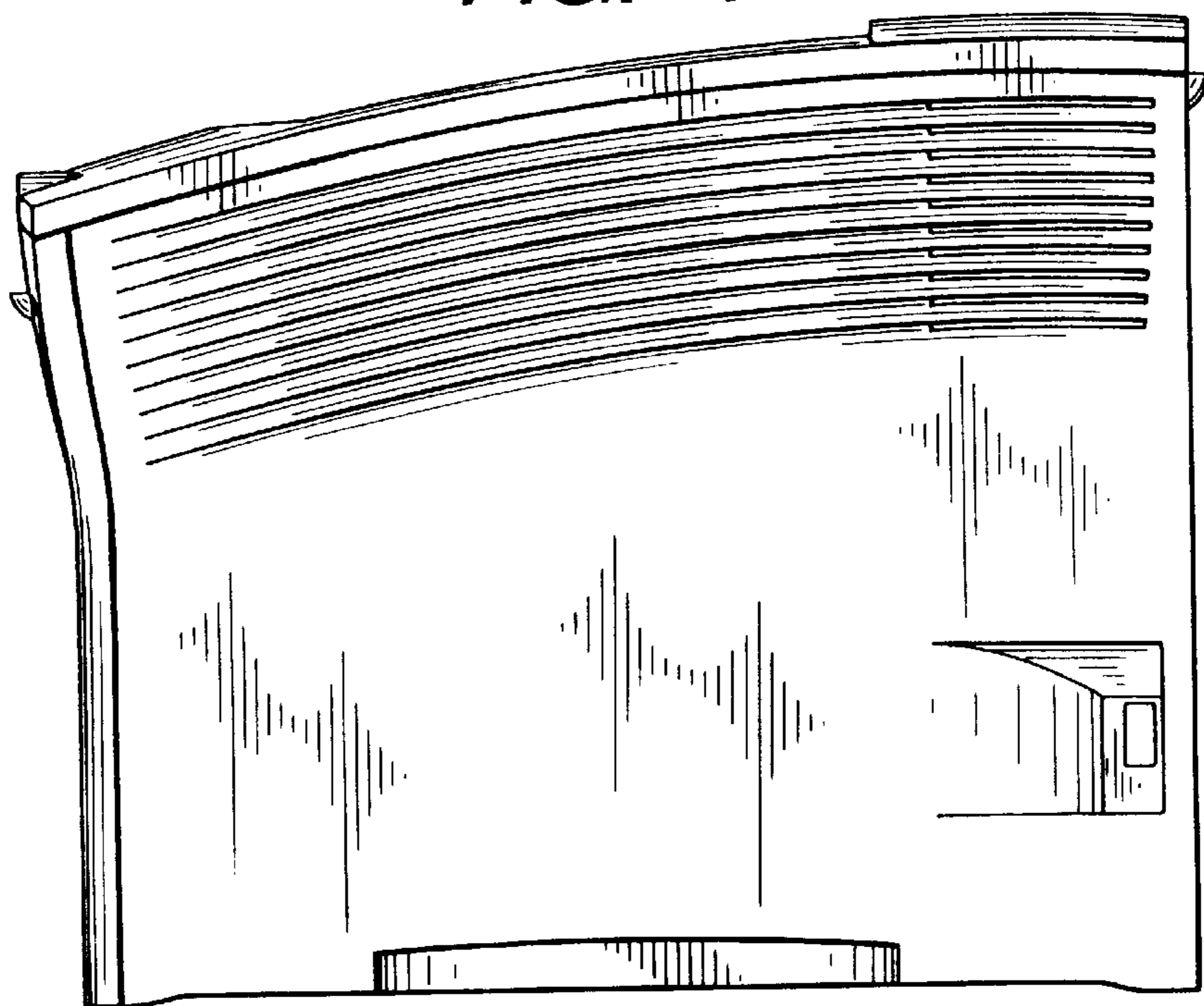
*FIG. 2*



*FIG. 3*

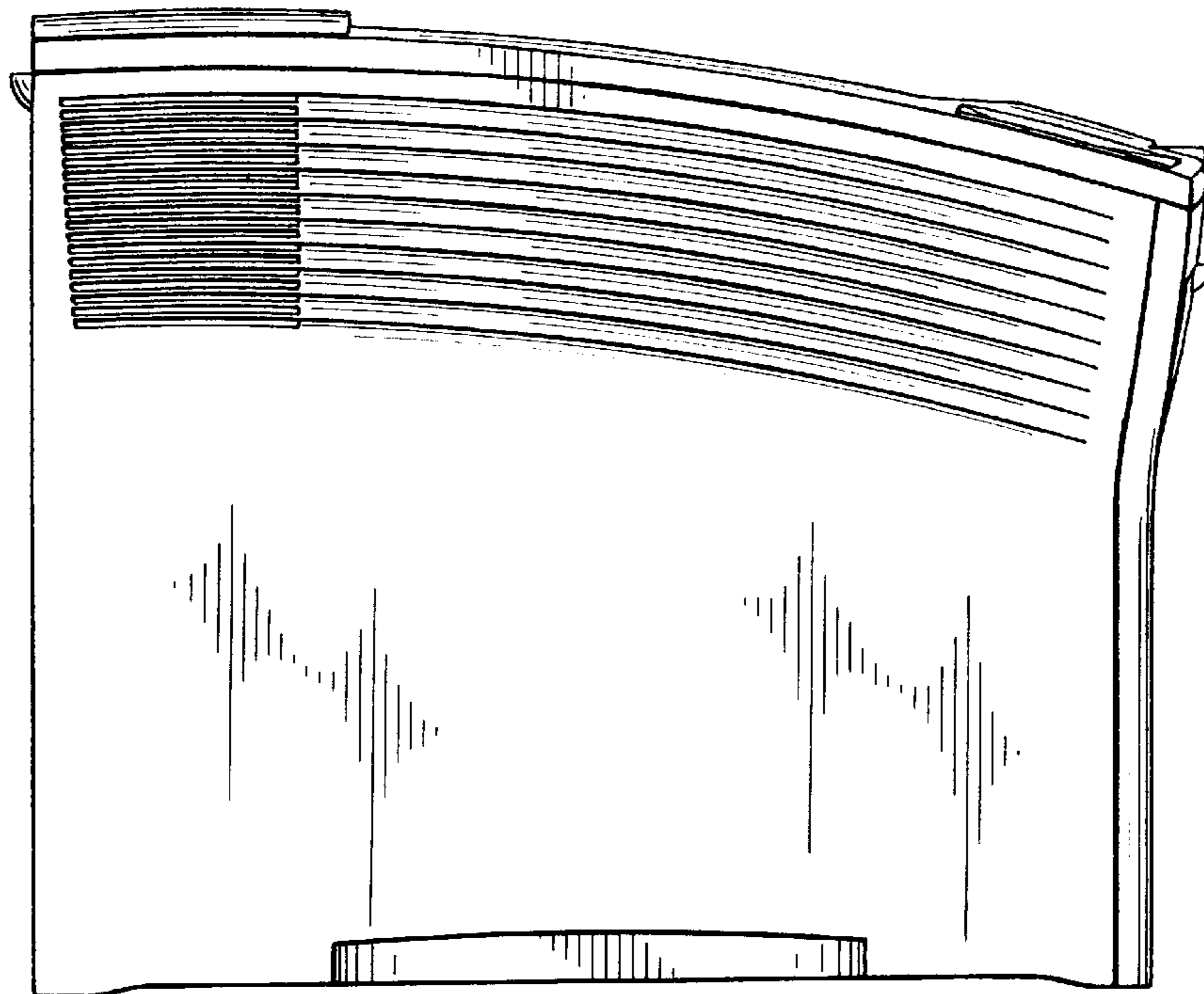


*FIG. 4*

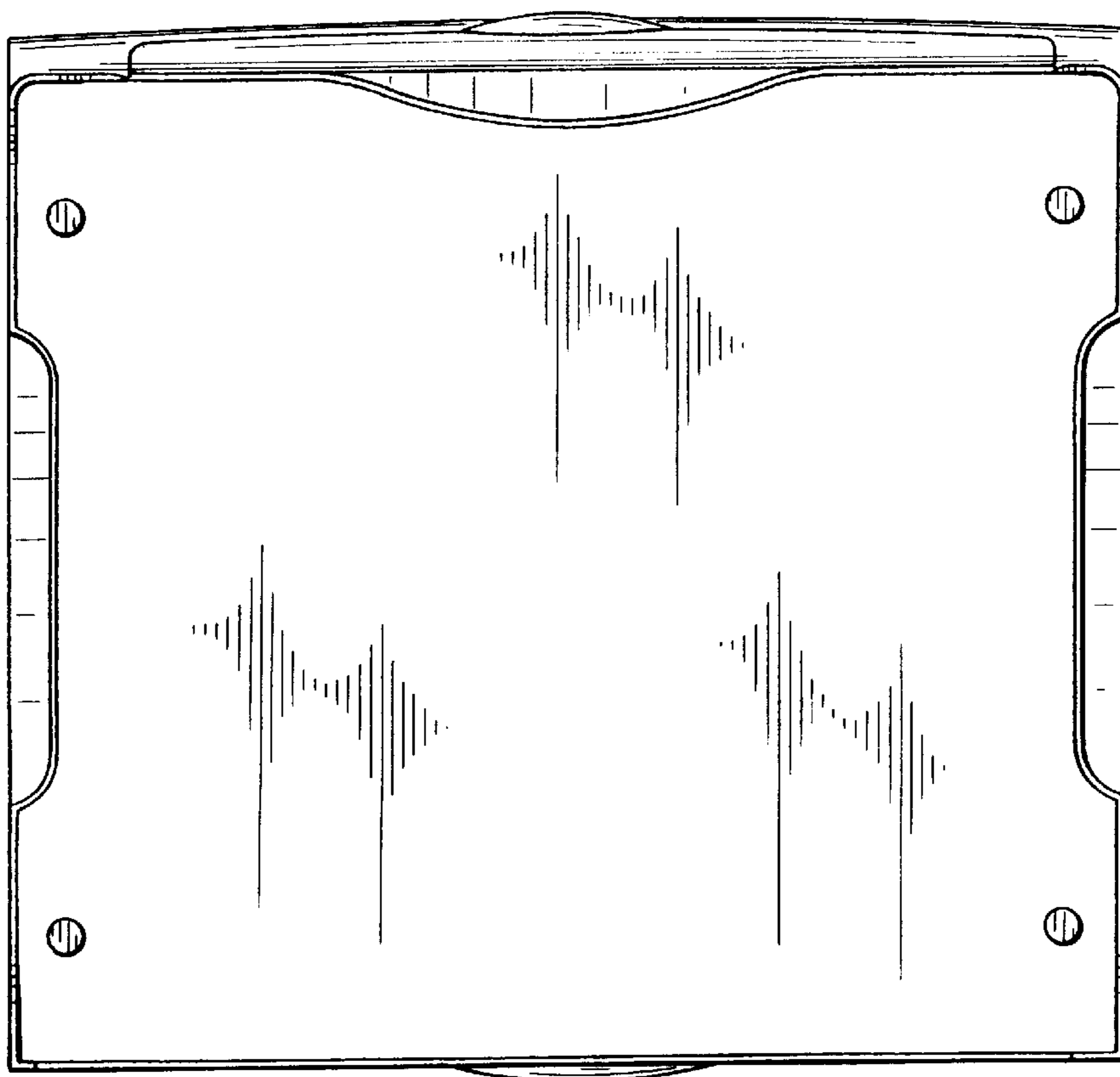




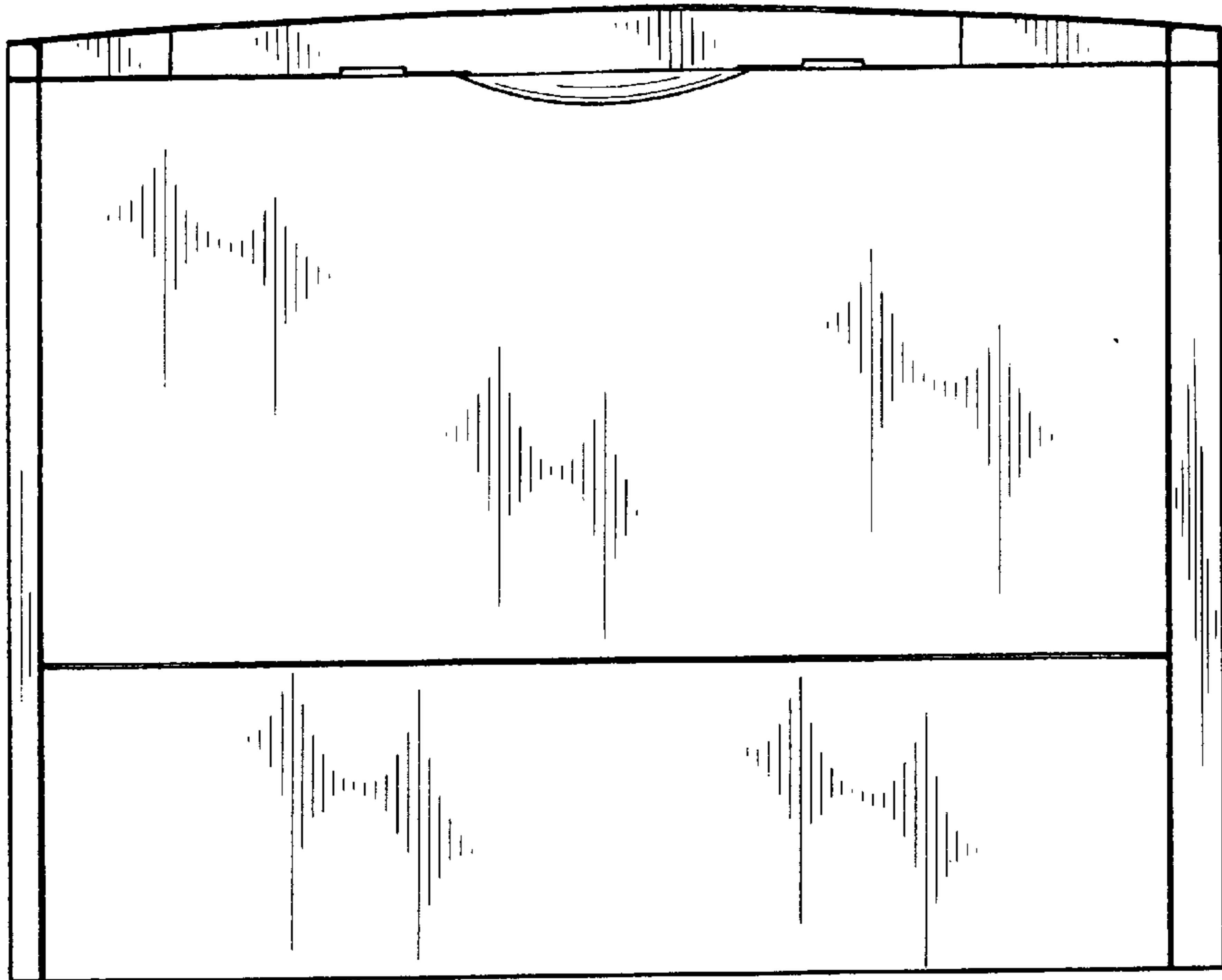
*FIG. 5*



*FIG. 6*



*FIG. 7*



*FIG. 8*

