



US00D437346S

(12) **United States Design Patent**  
**Wang et al.**

(10) **Patent No.: US D437,346 S**

(45) **Date of Patent: \*\* Feb. 6, 2001**

(54) **TONER CARTRIDGE**

(76) Inventors: **Jui-Chi Wang; Robin Hsu; Ya-Li Huang; Kuan-Tung Li**, all of  
No.498,Sec 1, Yung-Shing Rd., Wu-Chi  
Town, Taichung County (TW)

(\* ) Notice: This patent is subject to a terminal disclaimer.

(\*\* ) Term: **14 Years**

(21) Appl. No.: **29/114,977**

(22) Filed: **Dec. 2, 1999**

(51) **LOC (7) Cl. .... 16-03**

(52) **U.S. Cl. .... D18/43**

(58) **Field of Search** ..... D18/36, 40, 43,  
D18/56; 399/24, 25, 27, 28, 35, 252, 262;  
222/DIG. 1

(56) **References Cited**

**U.S. PATENT DOCUMENTS**

- D. 351,187 \* 10/1994 Suga ..... D18/43
- D. 356,813 \* 3/1995 Ichikawa et al. .... D18/43
- D. 364,184 \* 11/1995 Satake et al. .... D18/43
- D. 365,359 \* 12/1995 Ichikawa et al. .... D18/43
- D. 376,614 \* 12/1996 Ichikawa et al. .... D18/43

- D. 389,176 \* 1/1998 Ichikawa et al. .... D18/43
- D. 400,916 \* 11/1998 Ui et al. .... D18/43
- D. 403,014 \* 12/1998 Kura et al. .... D18/43
- D. 403,348 \* 12/1998 Matsuoka et al. .... D18/43
- D. 404,758 \* 1/1999 Koide ..... D18/43
- D. 406,162 \* 2/1999 Tatsumi ..... D18/43
- 6,064,846 \* 5/2000 Wang et al. .... 399/262

\* cited by examiner

*Primary Examiner*—Caron D. Veynar  
(74) *Attorney, Agent, or Firm*—Pro-Techtor International Services

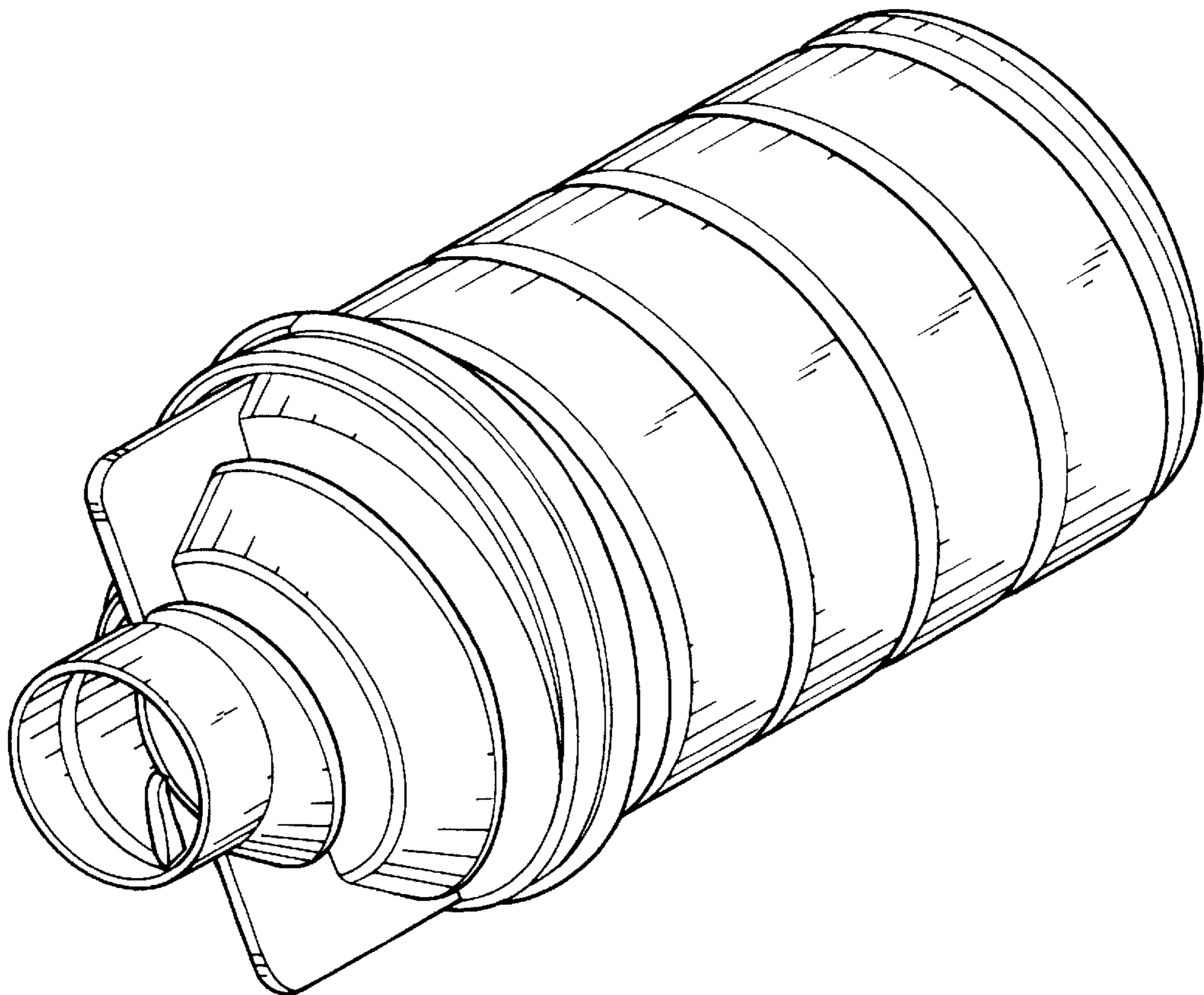
(57) **CLAIM**

The ornamental design for a toner cartridge, as shown and described.

**DESCRIPTION**

FIG. 1 is a perspective view of the toner cartridge of the present invention.  
 FIG. 2 is a front view of the toner cartridge.  
 FIG. 3 is a rear view of the toner cartridge.  
 FIG. 4 is a left side view of the toner cartridge.  
 FIG. 5 is a right side view of the toner cartridge.  
 FIG. 6 is a top side view of the toner cartridge; and,  
 FIG. 7 is a bottom side view of the toner cartridge.

**1 Claim, 6 Drawing Sheets**



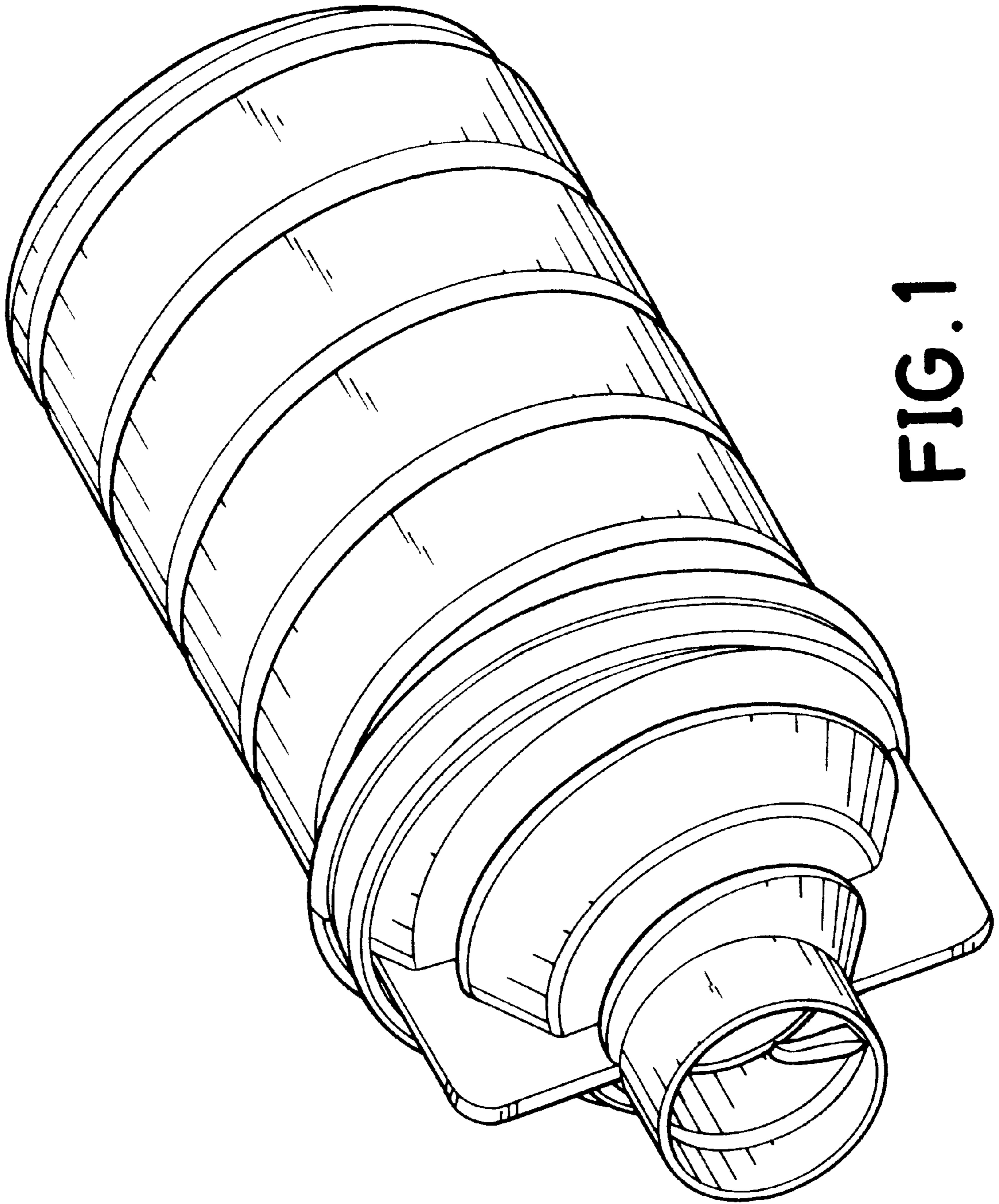
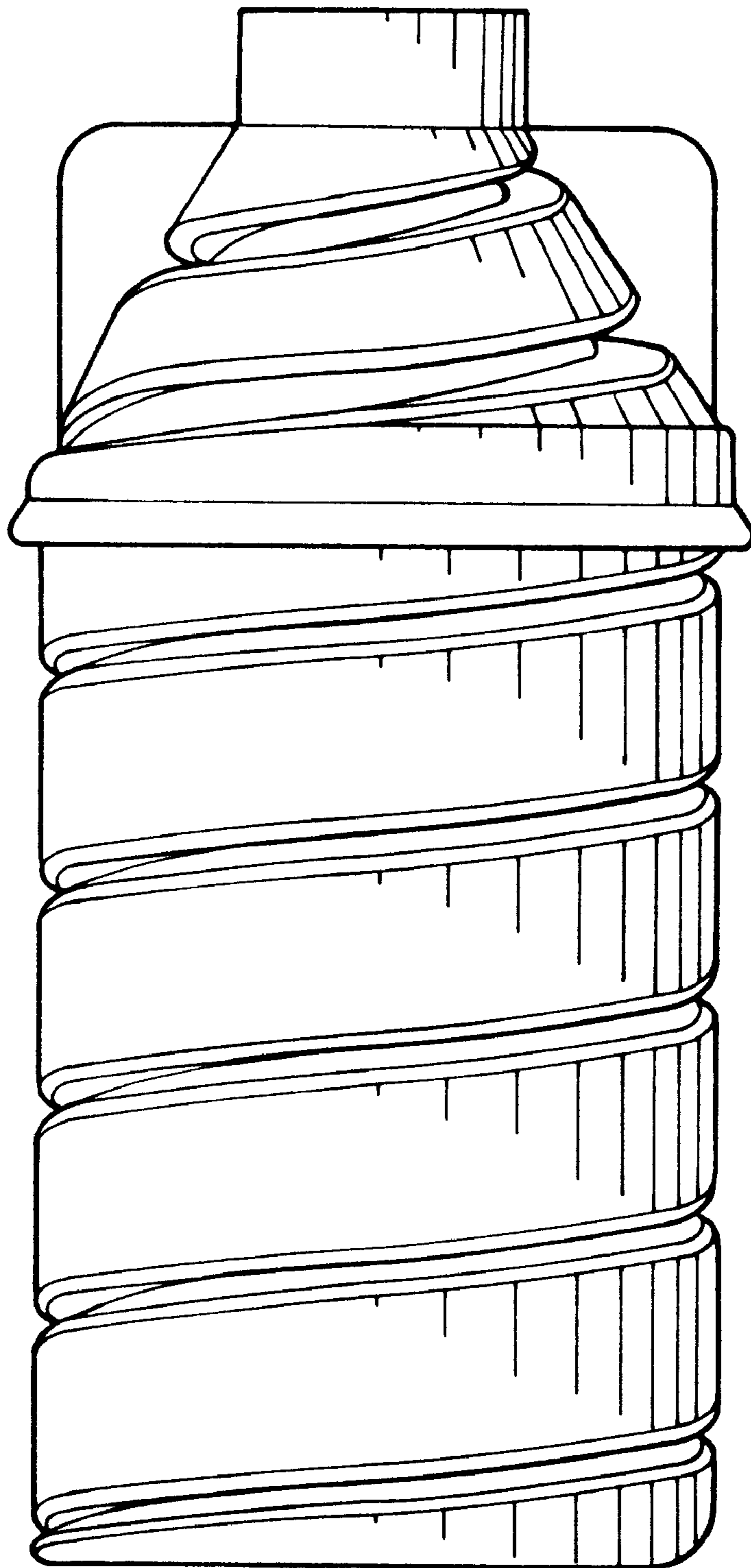
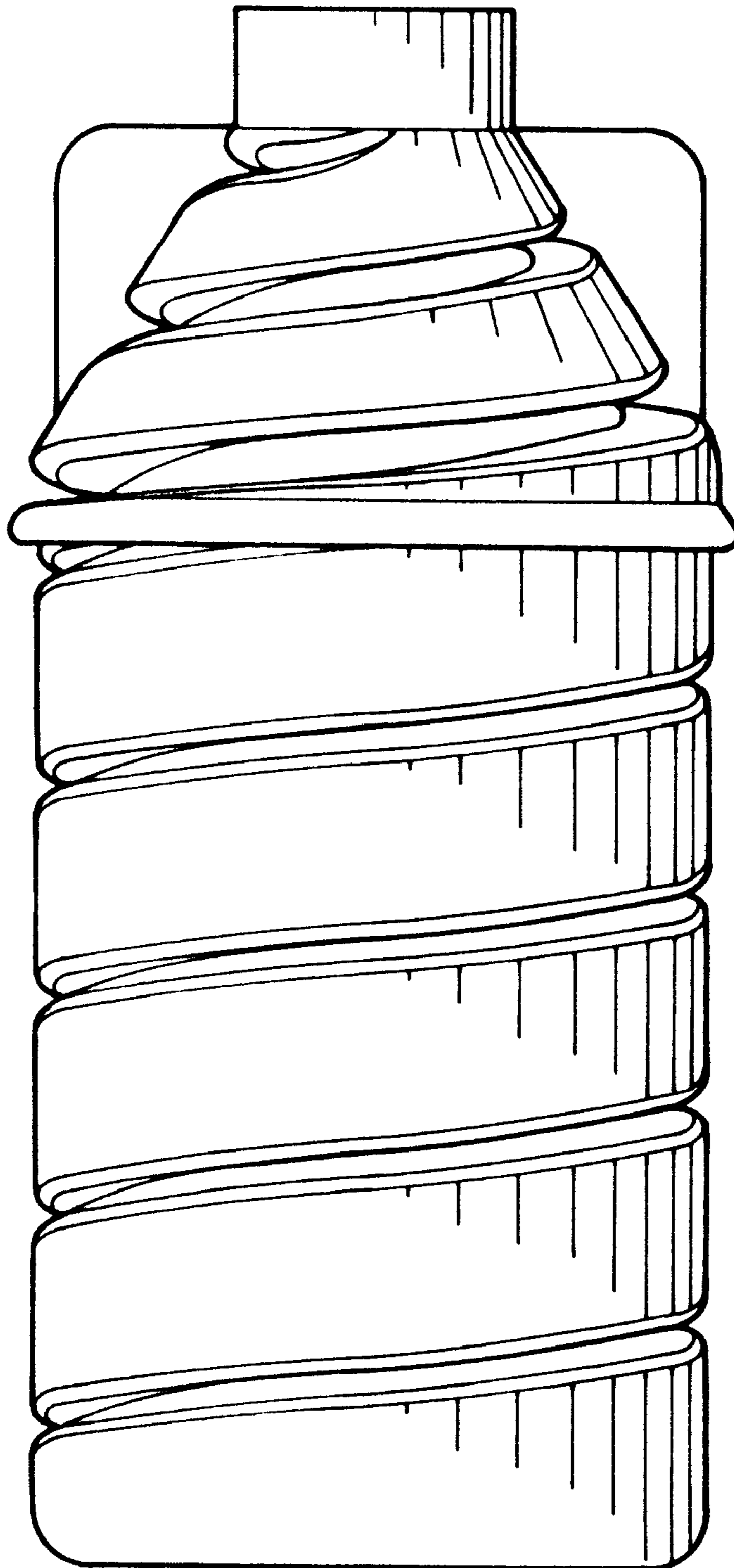


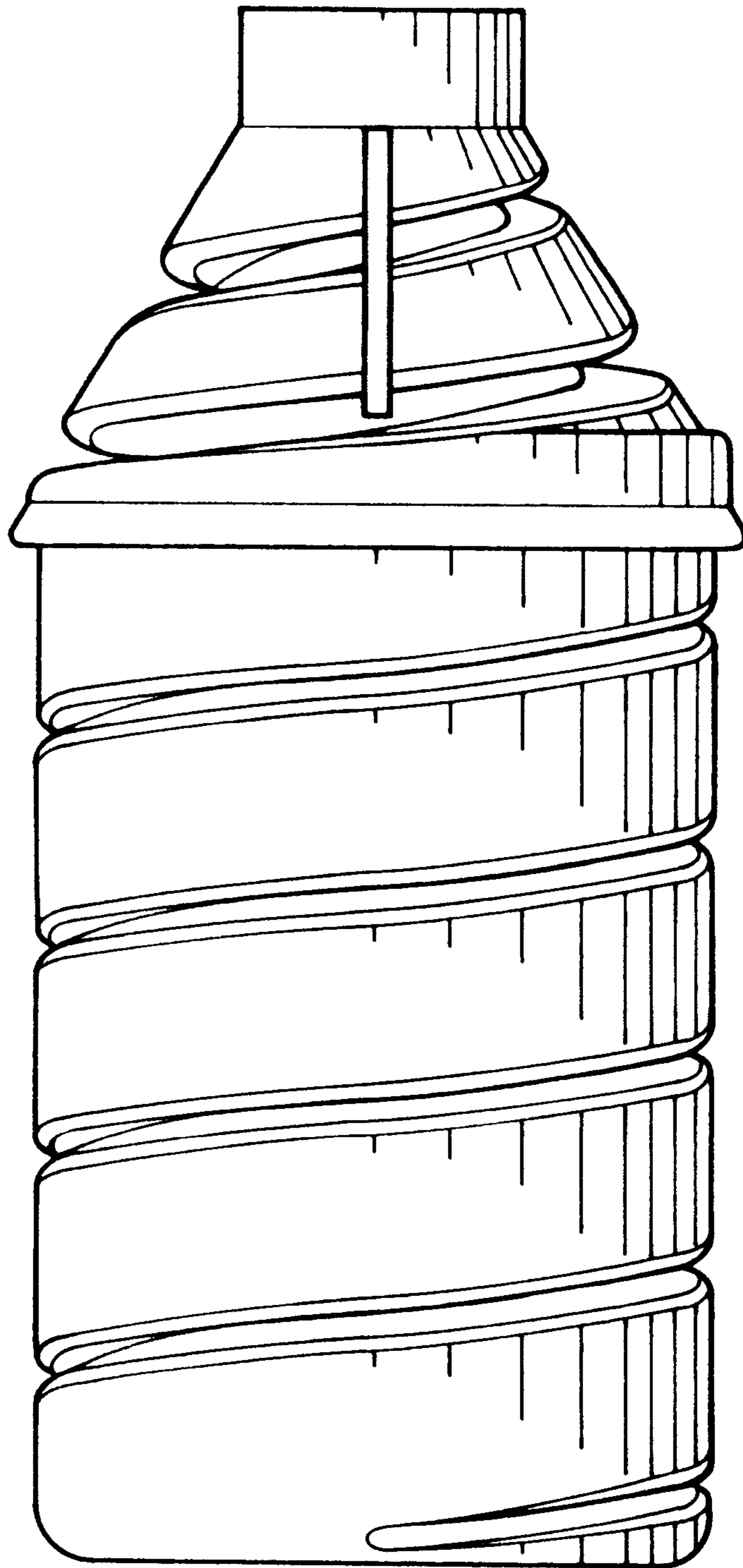
FIG. 1



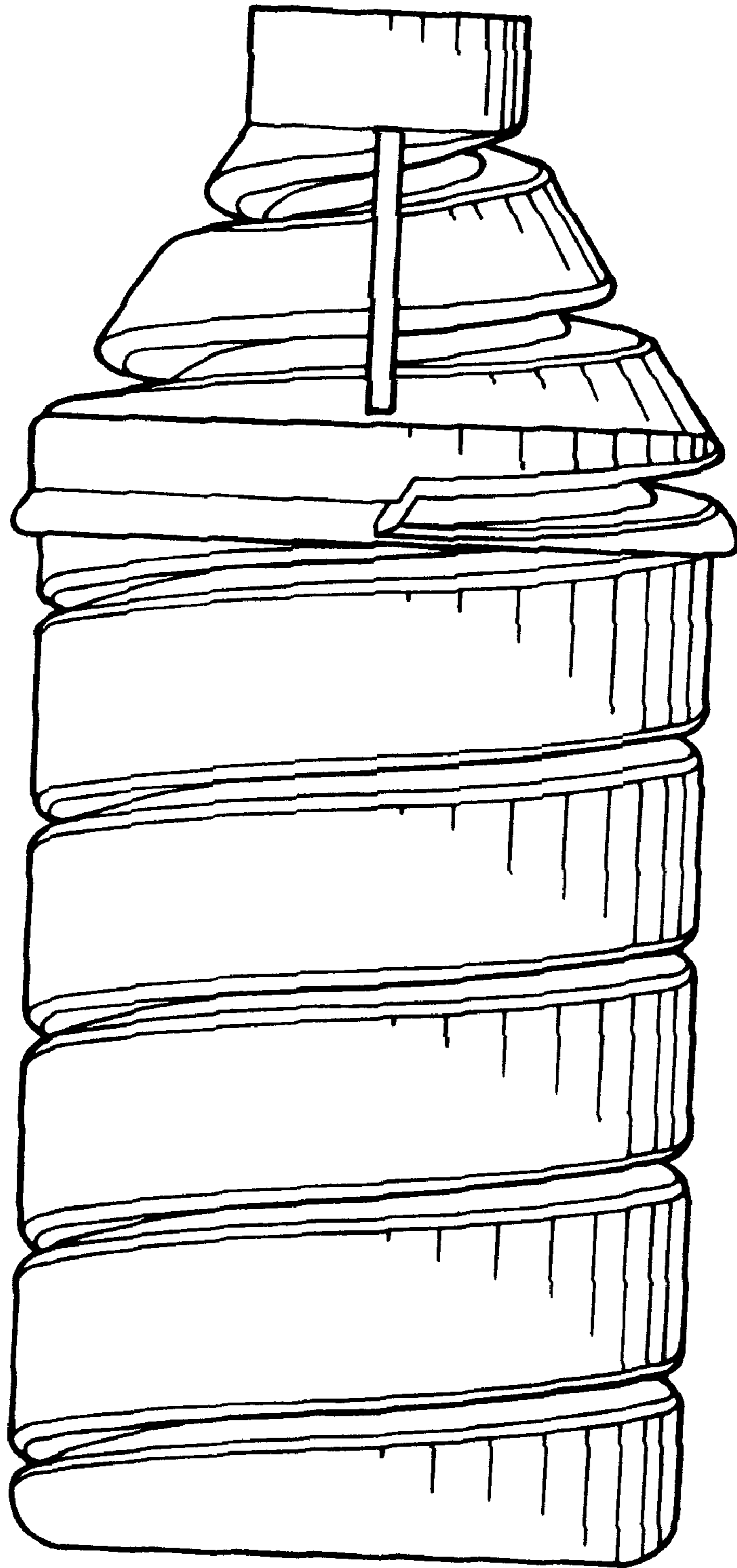
**FIG. 2**



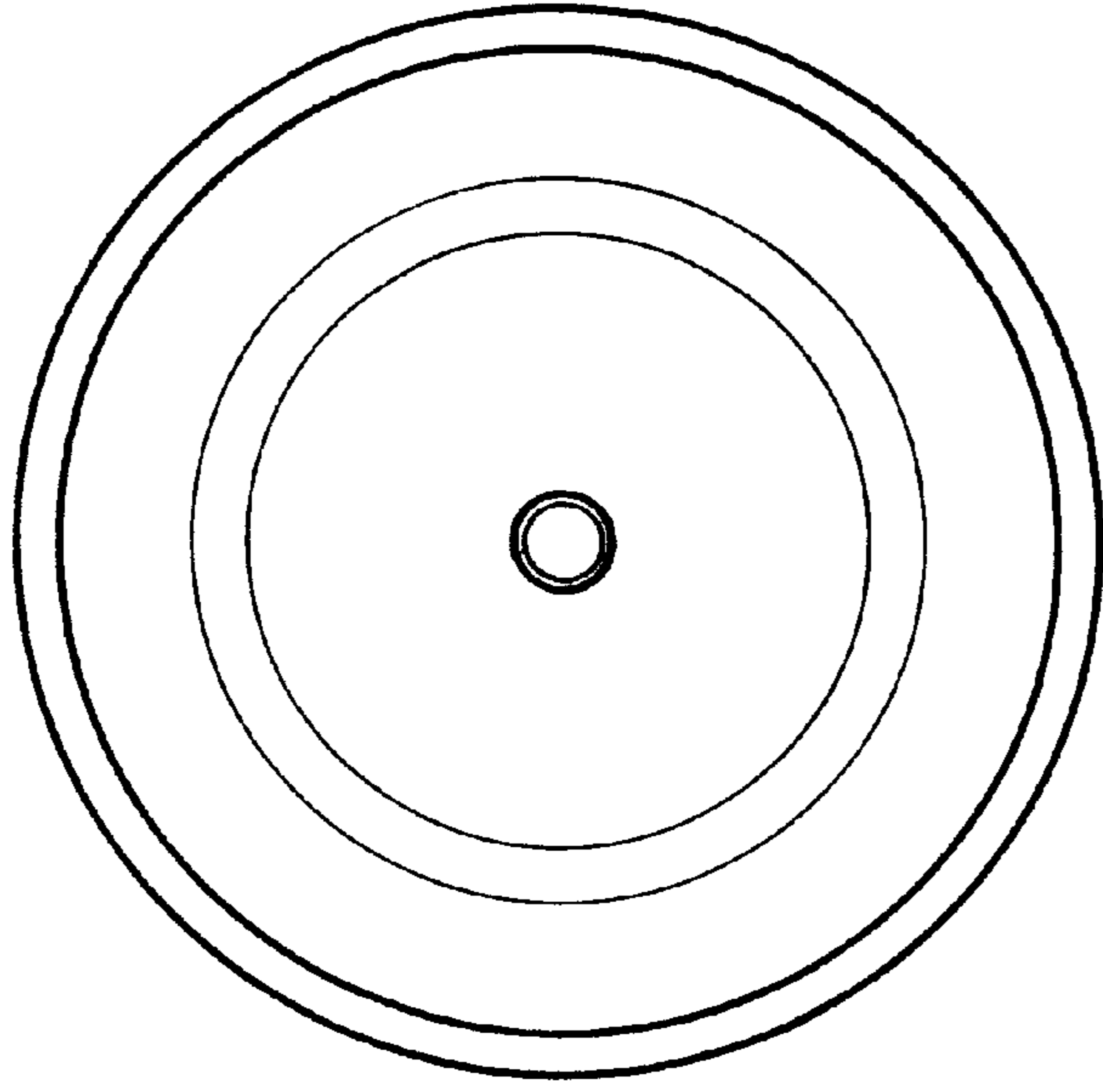
**FIG. 3**



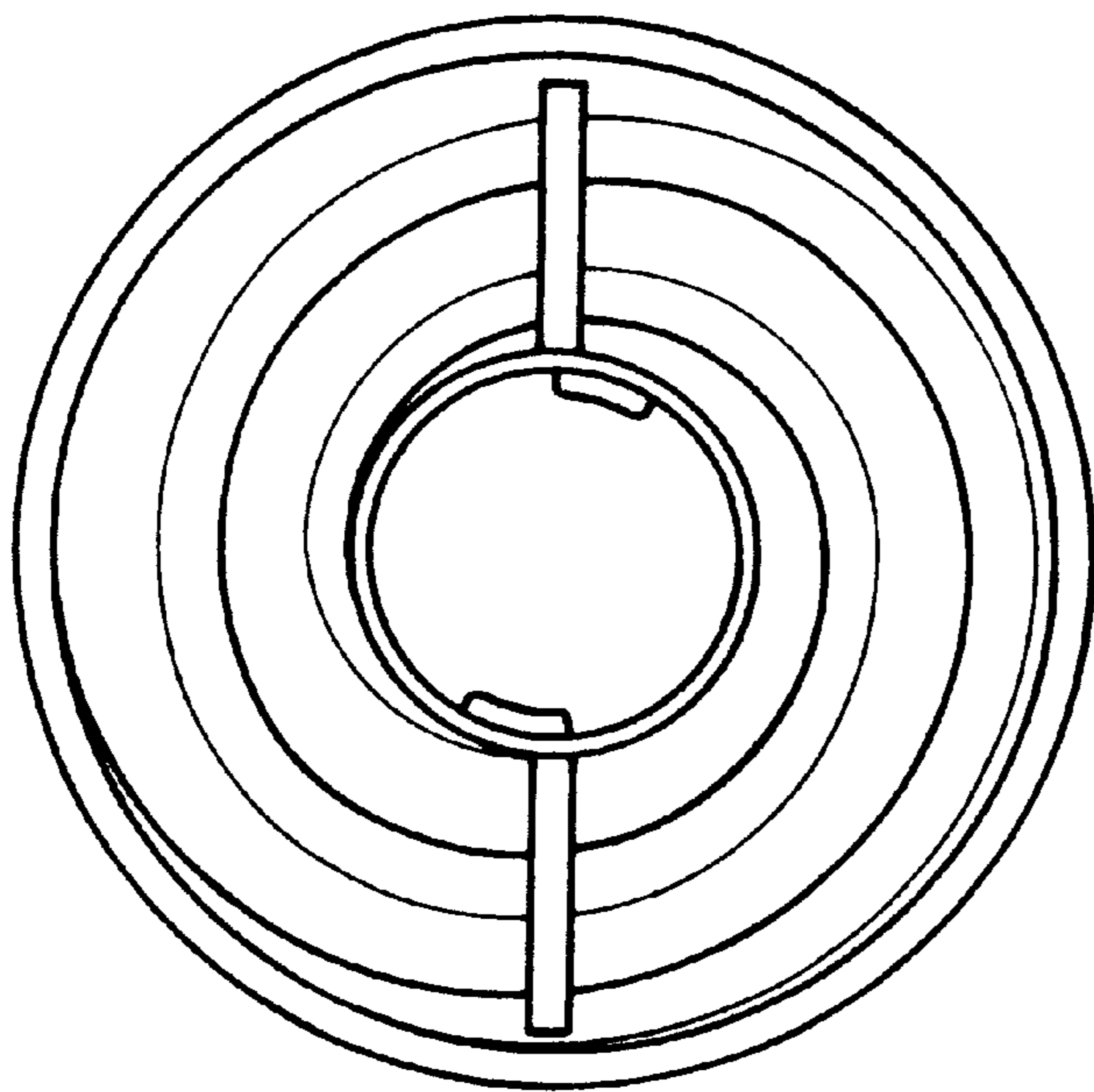
**FIG.4**



**FIG. 5**



**FIG. 7**



**FIG. 6**