



US00D437344S

(12) **United States Design Patent**  
**Reuter**

(10) **Patent No.:** **US D437,344 S**

(45) **Date of Patent:** **\*\* Feb. 6, 2001**

(54) **PUNCHING AND BINDING MACHINE**

(75) Inventor: **Michael Reuter**, Oberursel (DE)

(73) Assignee: **Esselte N.V.** (BE)

(\*\*) Term: **14 Years**

(21) Appl. No.: **29/120,929**

(22) Filed: **Mar. 29, 2000**

(30) **Foreign Application Priority Data**

Oct. 1, 1999 (DE) ..... 4 99 09 179

(51) **LOC (7) Cl.** ..... **18-04**

(52) **U.S. Cl.** ..... **D18/34**

(58) **Field of Search** ..... D18/34, 99, 68,  
D18/72, 86, 100; D24/220; 221/222; 83/560,  
571, 613, 633, 911; D15/128, 127, 129,  
141; 241/236, 100, 169.1; 412/39, 40, 37,  
43, 16, 7, 33, 38, 900; 156/908; 281/21.1,  
27.2, 28

(56) **References Cited**

**U.S. PATENT DOCUMENTS**

- D. 296,115 \* 6/1988 Scharer ..... D18/34
- D. 423,039 \* 4/2000 Cox ..... D18/34
- 5,211,522 \* 5/1993 Ho ..... D18/34

\* cited by examiner

*Primary Examiner*—Louis S. Zarfaz  
*Assistant Examiner*—Inga-Maria Hyttinen  
(74) *Attorney, Agent, or Firm*—Pendorf & Cutliff

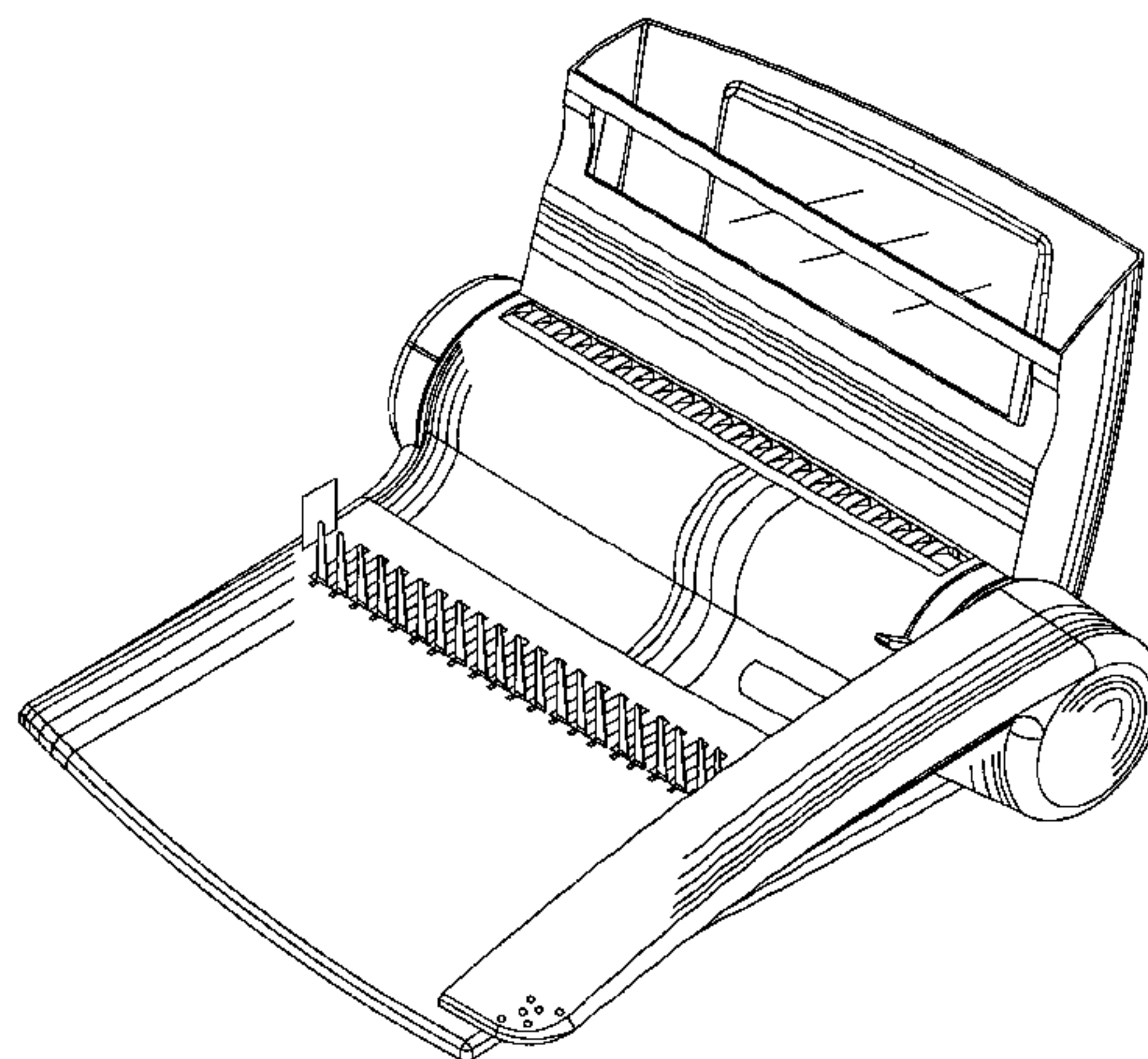
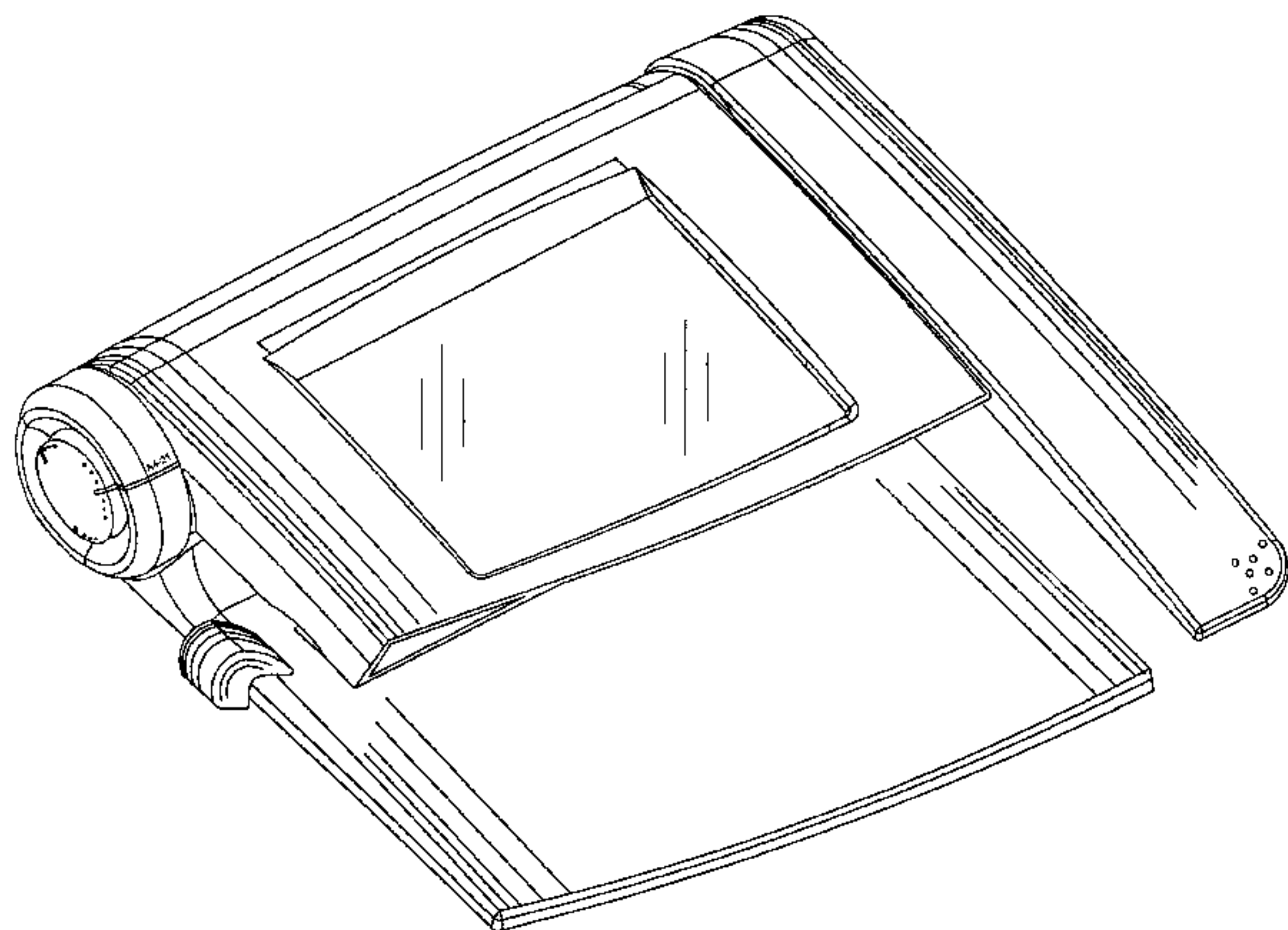
(57) **CLAIM**

The ornamental design for a punching and binding machine, as shown and described.

**DESCRIPTION**

FIG. 1 is a perspective view of the punching and binding machine shown in closed position;  
 FIG. 2 is a perspective view of the punching and binding machine shown in open position;  
 FIG. 3 is a first side view of the punching and binding machine of FIG. 2;  
 FIG. 4 is a second side view of the punching and binding machine of FIG. 2;  
 FIG. 5 is a back view of the punching and binding machine of FIG. 2;  
 FIG. 6 is a front view of the punching and binding machine of FIG. 2;  
 FIG. 7 is a bottom view of the punching and binding machine of FIG. 2; and,  
 FIG. 8 is a top plan view of the punching and binding machine of FIG. 2.

**1 Claim, 8 Drawing Sheets**



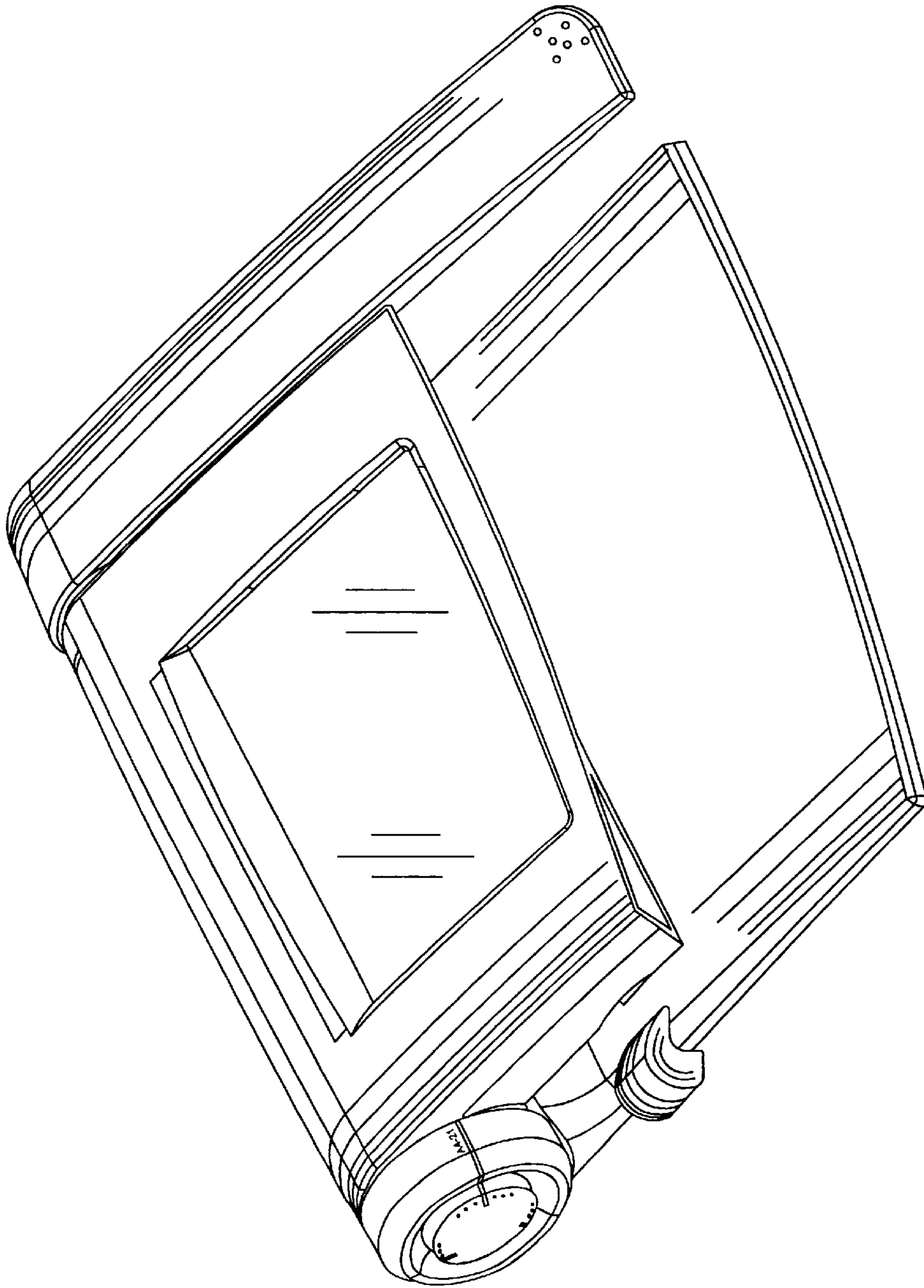


Fig. 1

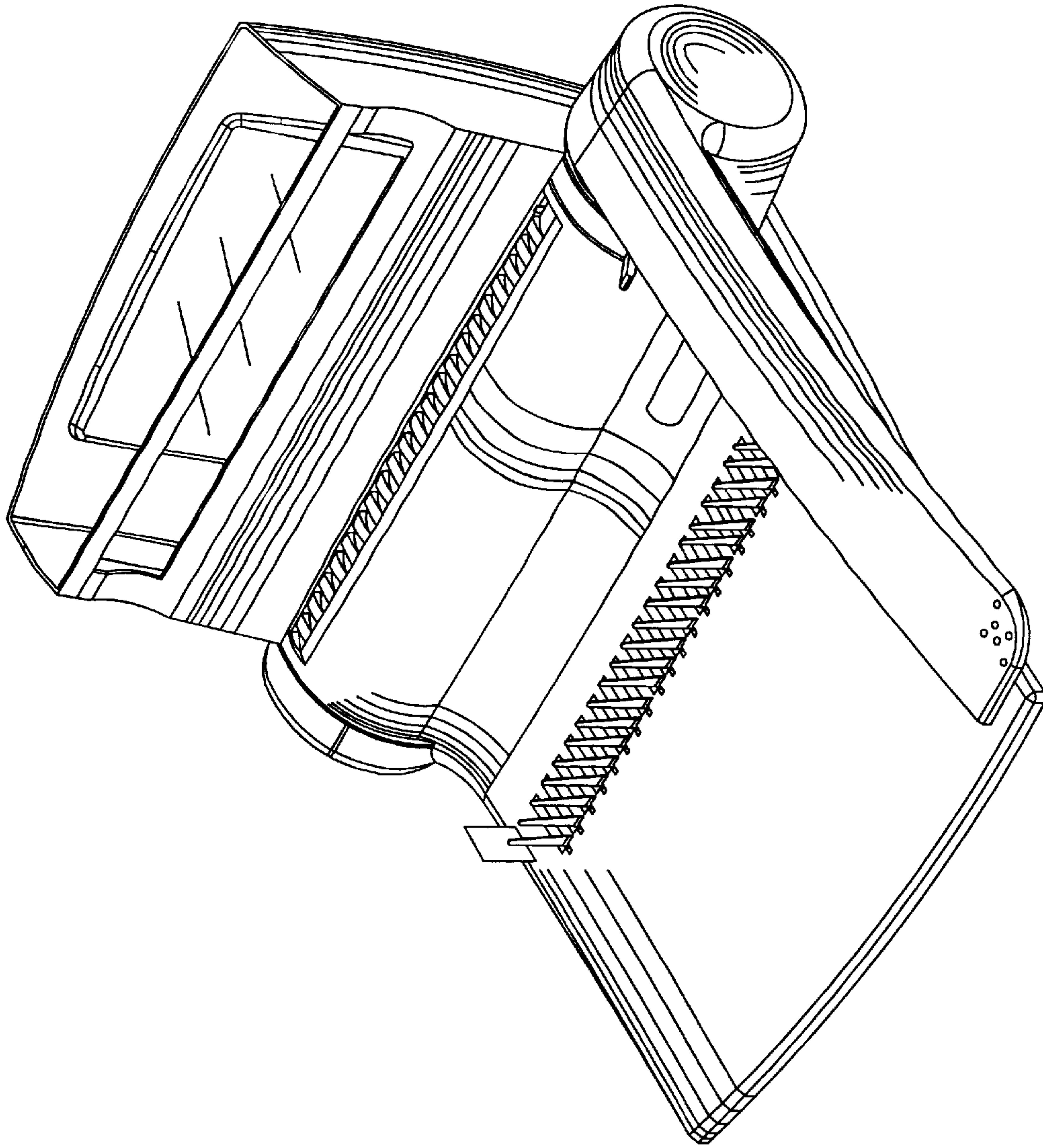


Fig. 2



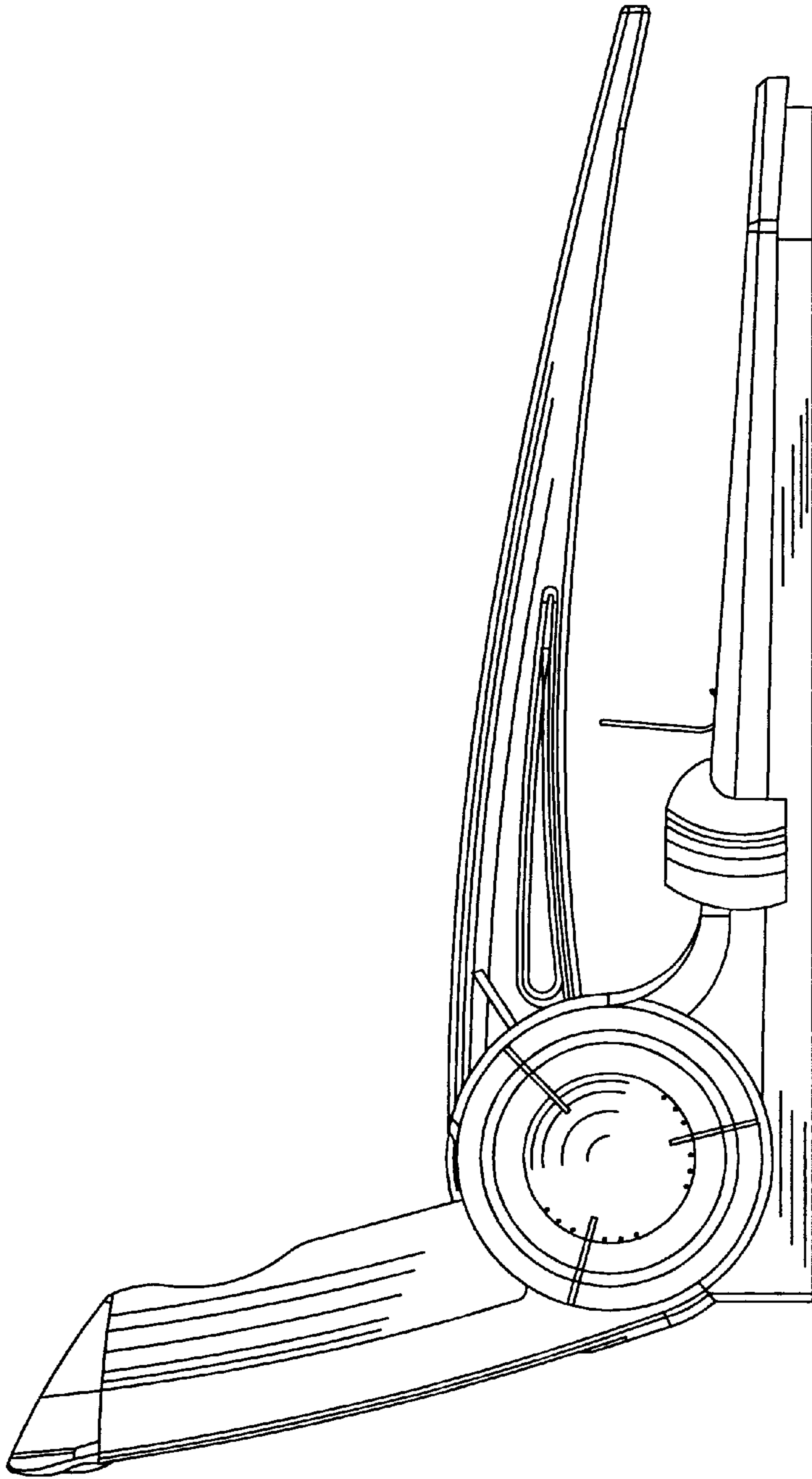


Fig. 3

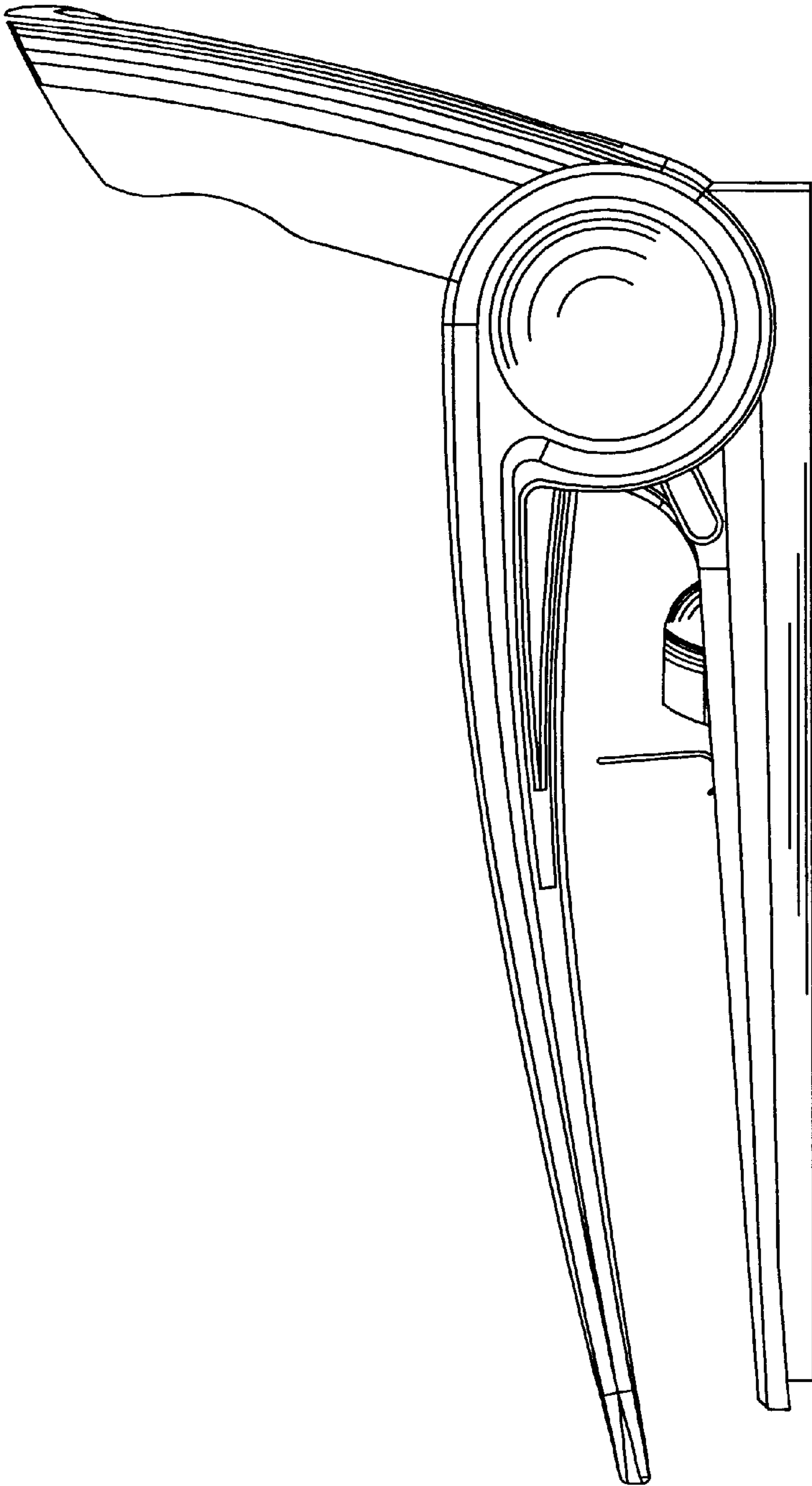


Fig. 4

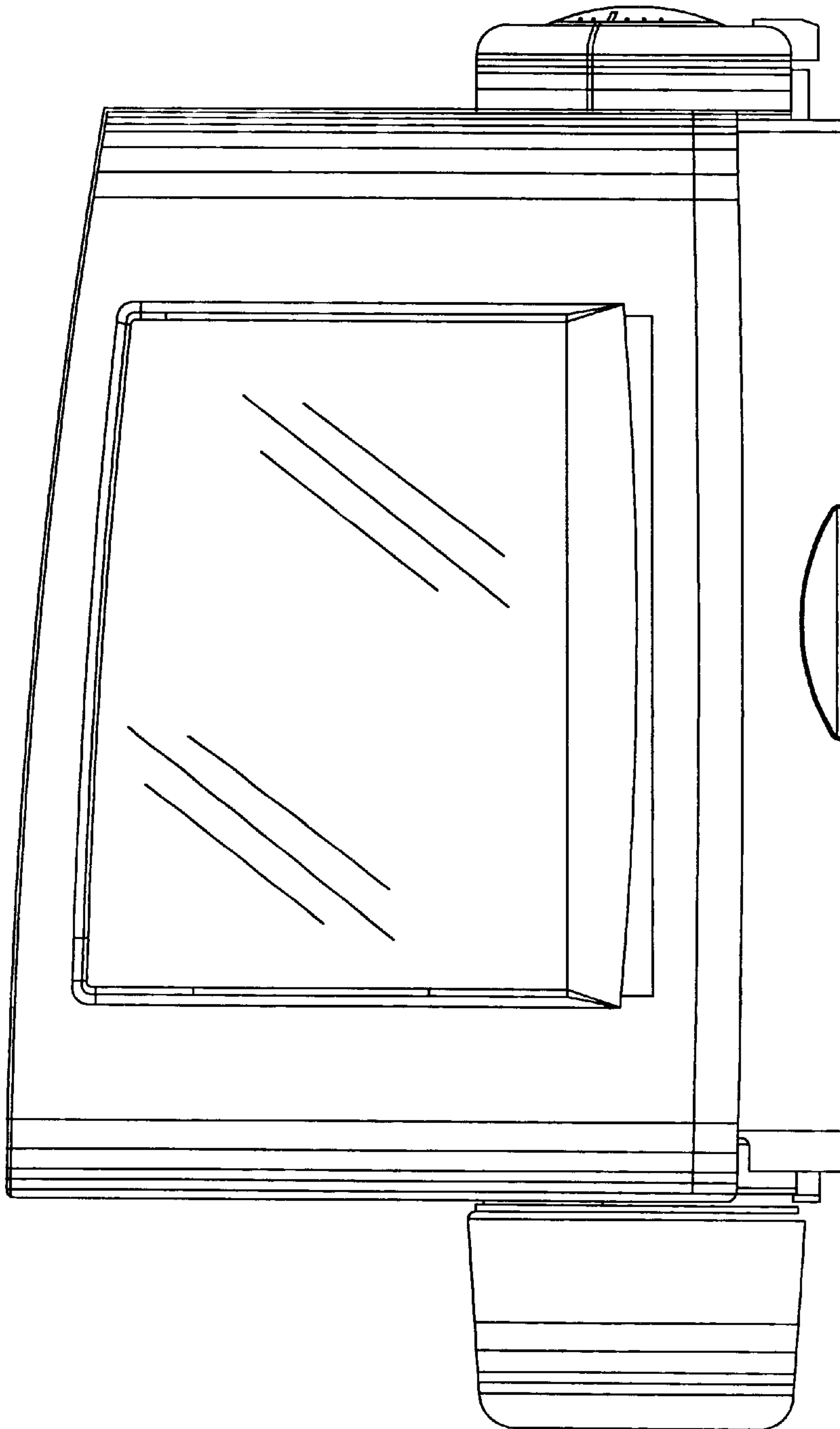


Fig. 5

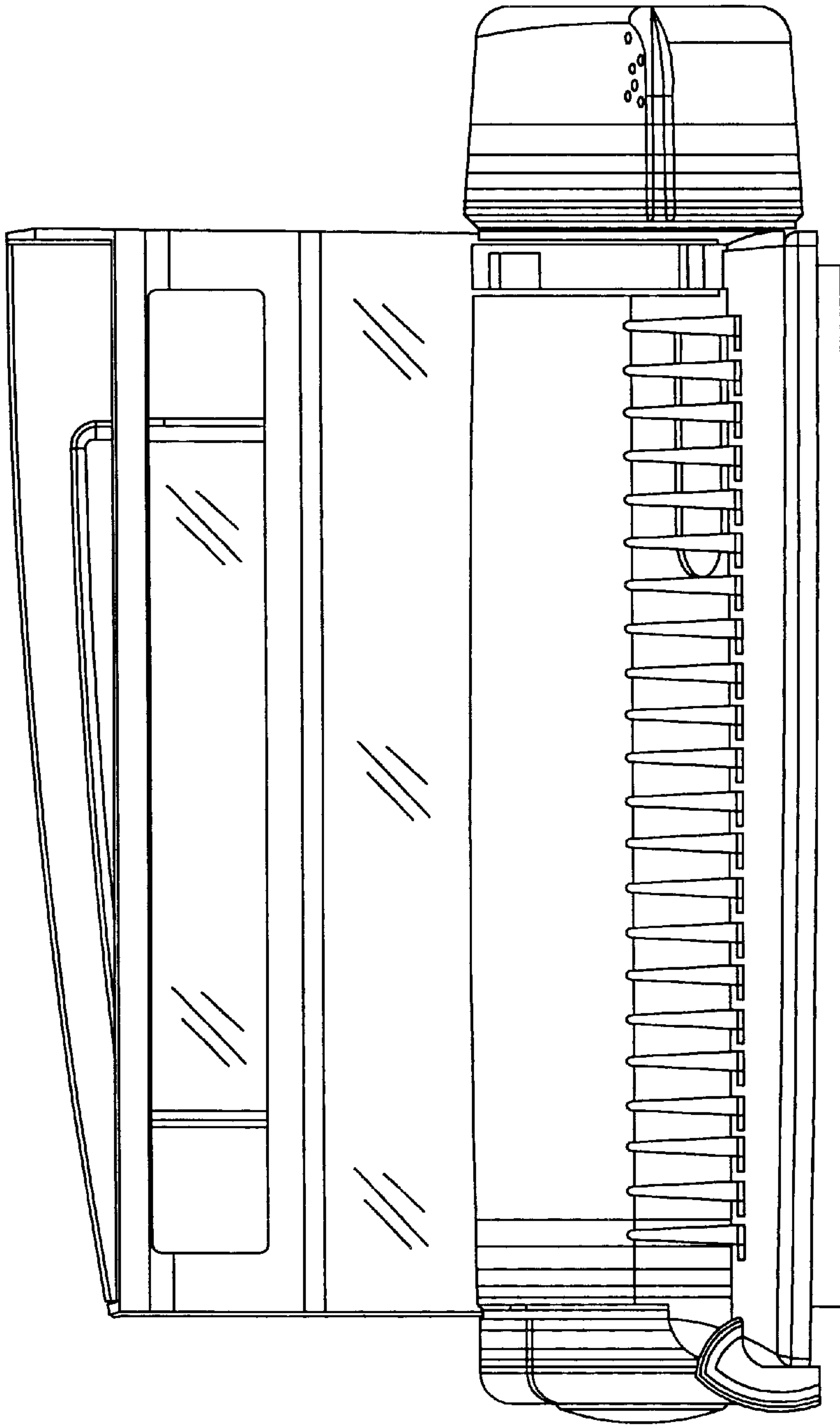


Fig. 6

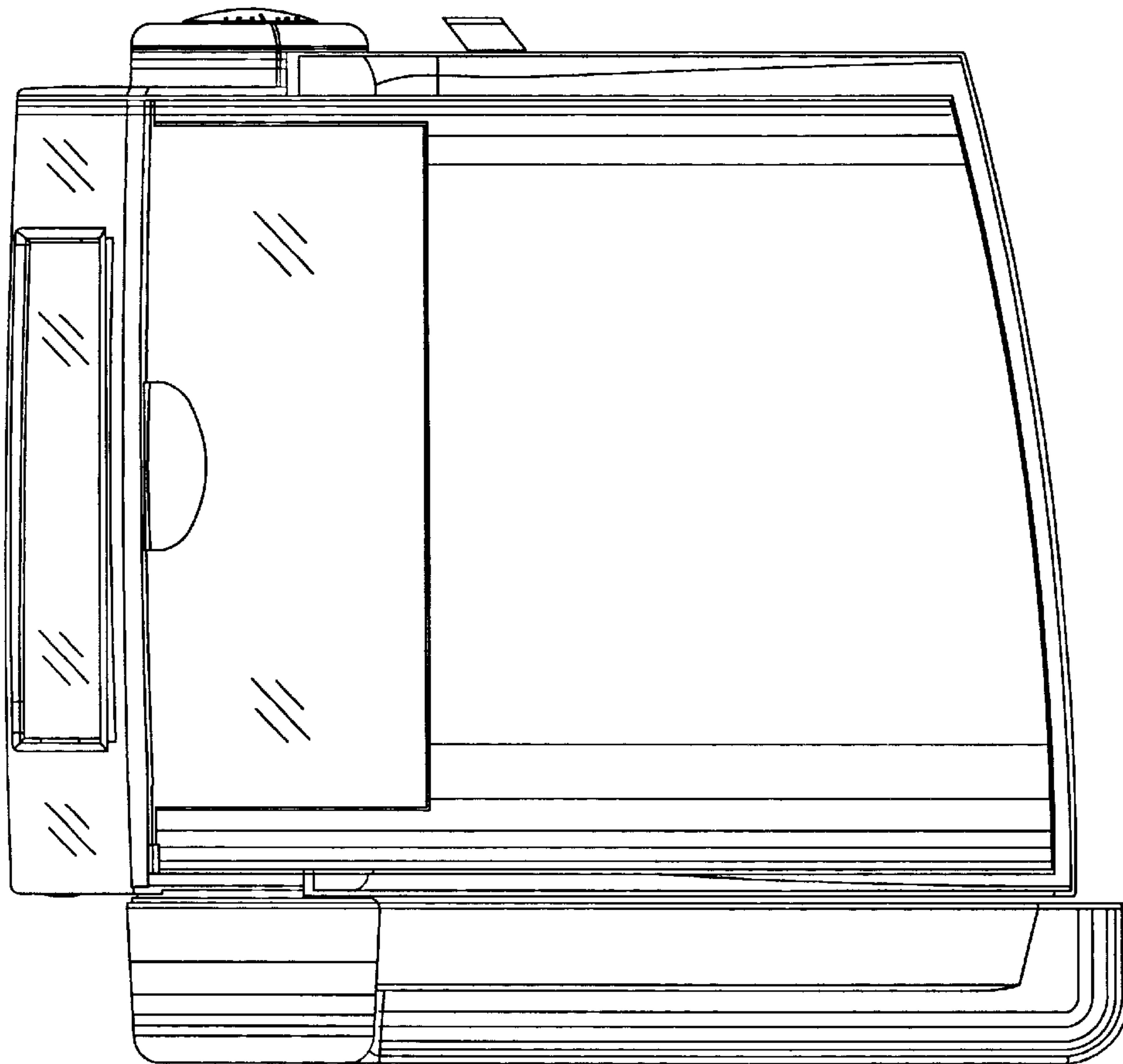


Fig. 7



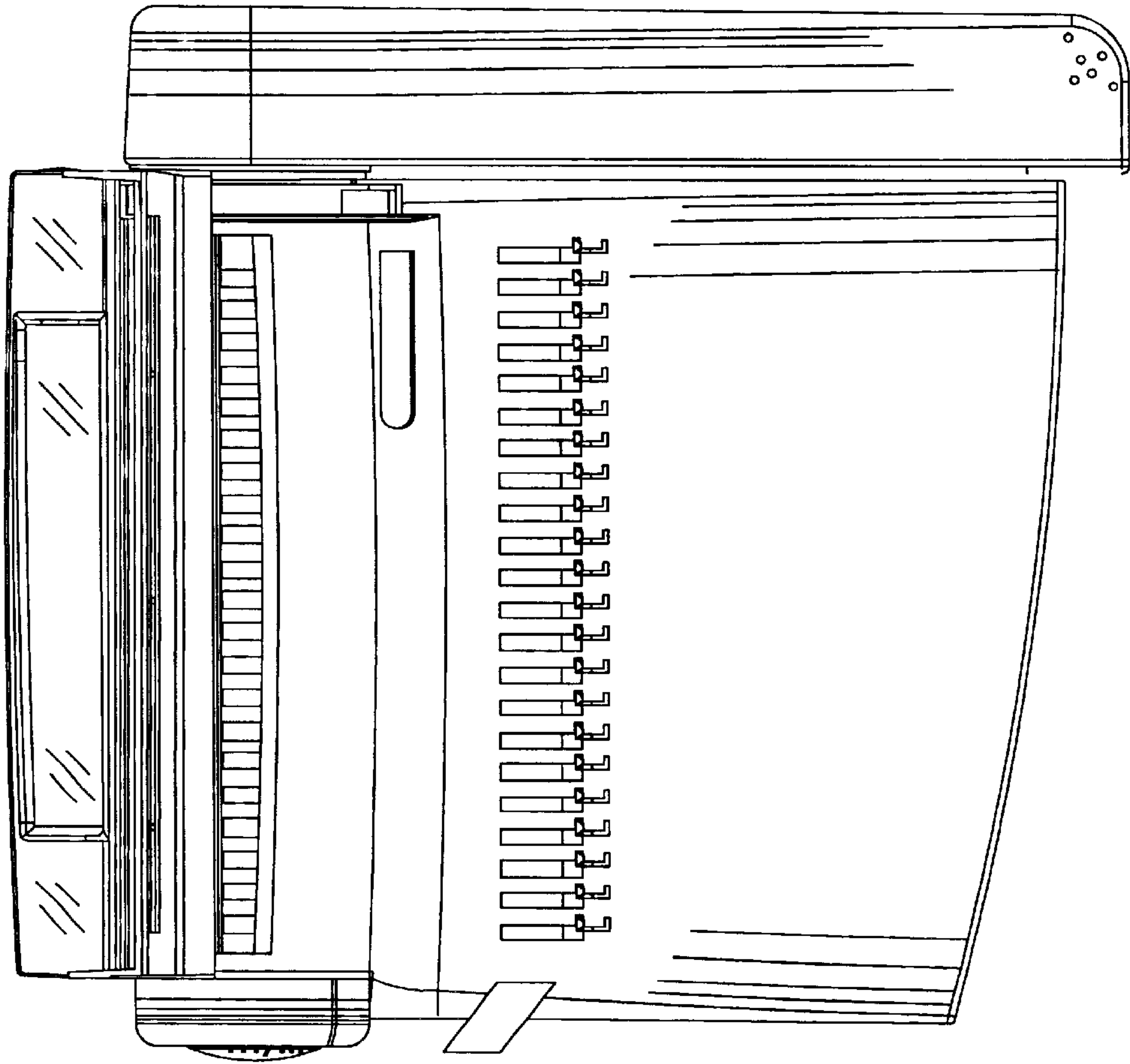


Fig. 8