



US00D437339S

(12) **United States Design Patent**
Tsou

(10) **Patent No.:** **US D437,339 S**

(45) **Date of Patent:** **** Feb. 6, 2001**

(54) **POCKETABLE SELF-ENCLOSED SPECTACLES**

3,049,974 * 8/1962 Miwa D16/300
5,448,317 * 9/1995 Huang 351/158
5,640,218 * 6/1997 Kanda 351/41

(76) Inventor: **Yeong-Haw Tsou**, P.O. Box 2206,
Arcadia, CA (US) 91077

* cited by examiner

Primary Examiner—Raphael Barkai

(74) *Attorney, Agent, or Firm*—Raymond Y. Chan; David and Raymond

(**) Term: **14 Years**

(57) **CLAIM**

(21) Appl. No.: **29/091,557**

The ornamental design for a pocketable self-enclosed spectacles, as shown.

(22) Filed: **Jul. 31, 1998**

DESCRIPTION

(51) **LOC (7) Cl.** **16-06**

(52) **U.S. Cl.** **D16/306; D16/325; D16/335**

(58) **Field of Search** D16/101, 300–330;
351/41, 44, 51, 52, 54, 111, 112–120, 136,
158

FIG. 1 is a top plan view of a pocketable self-enclosed spectacles showing my new design;
FIG. 2 is a side elevational view thereof;
FIG. 3 is a bottom plan view thereof;
FIG. 4 is a perspective view in the closed position;
FIG. 5 is a perspective view thereof in the first step of opening for use; and,
FIG. 6 is a perspective view thereof in the second step of opening for use.

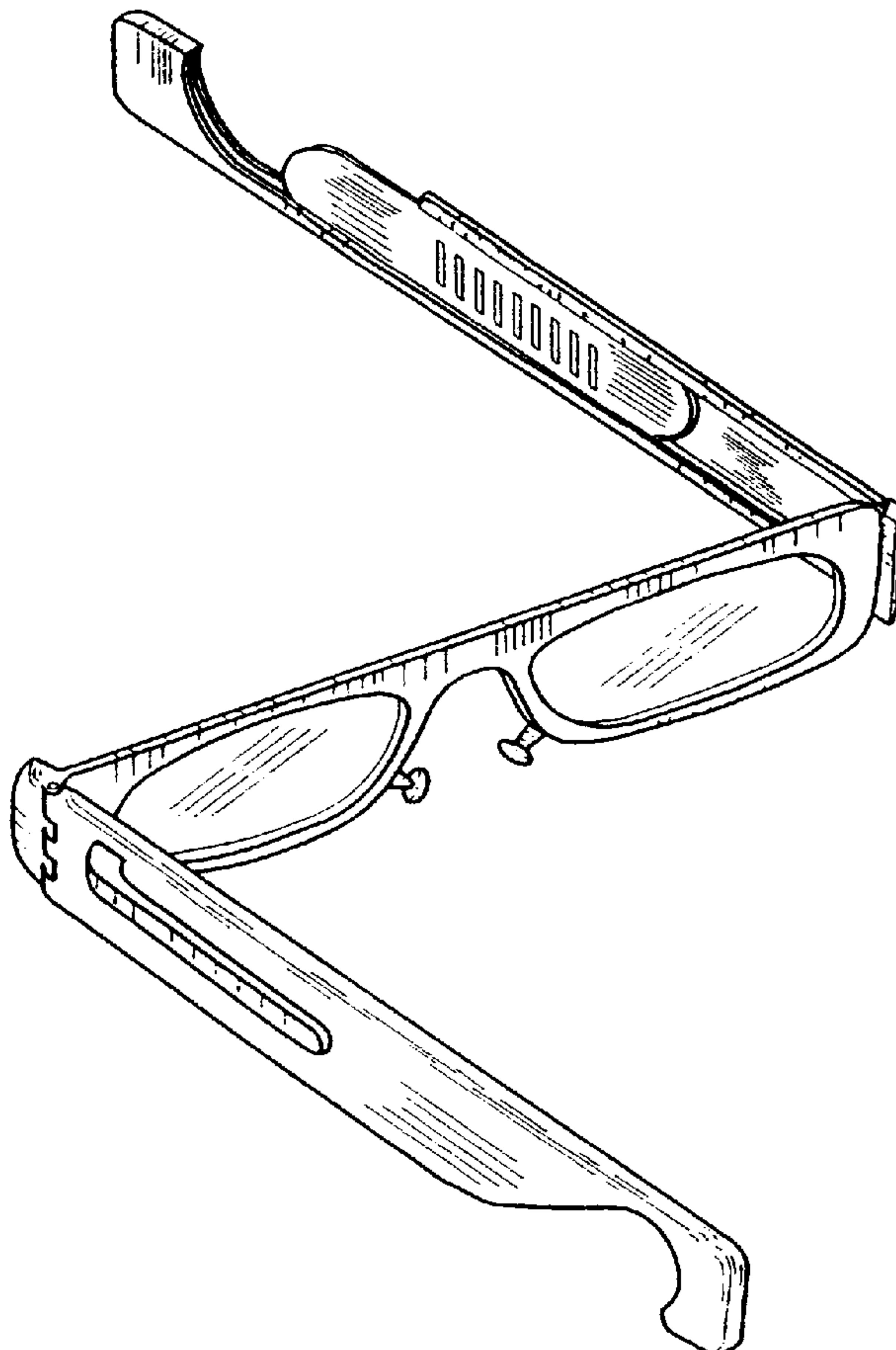
(56) **References Cited**

U.S. PATENT DOCUMENTS

D. 210,418 * 3/1968 Bloch D16/326
D. 232,260 * 7/1974 Gardner D16/335
D. 377,188 * 1/1997 Cheng D16/321

The portions of the front surfaces not shown or described of the spectacles form/s no part of the claimed design.

1 Claim, 2 Drawing Sheets



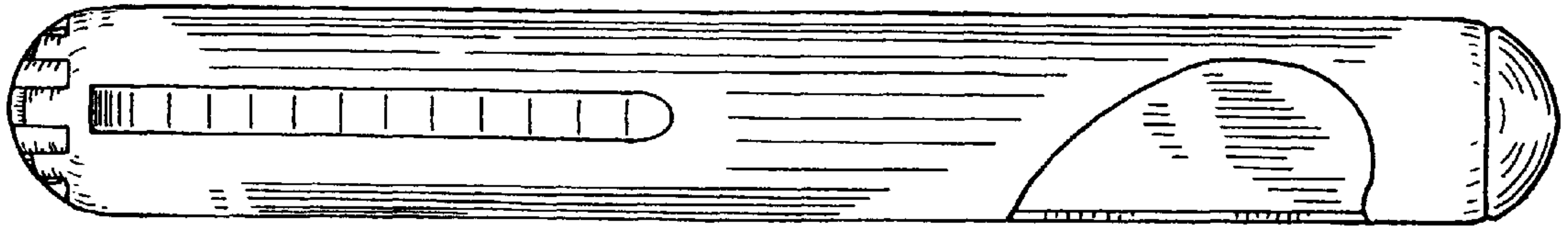


FIG. 1

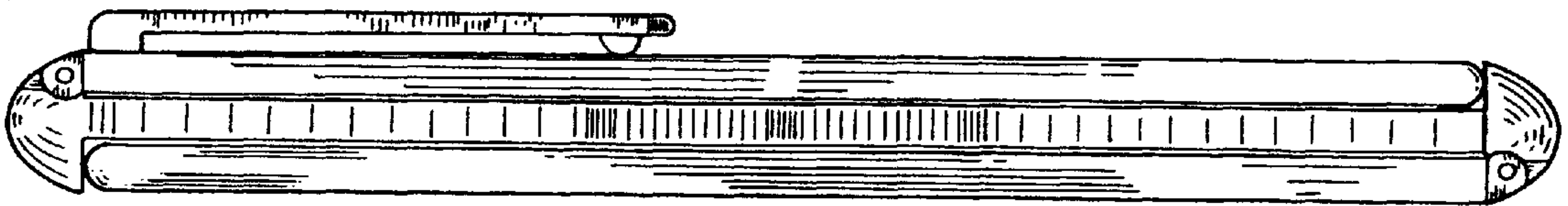


FIG. 2

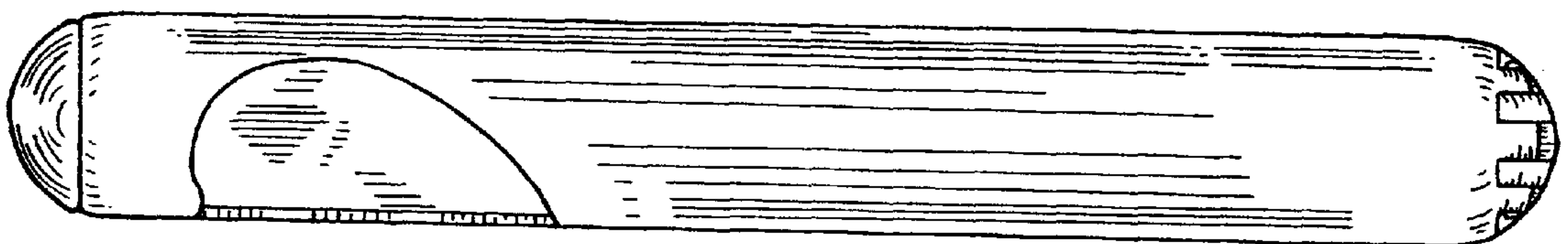


FIG. 3

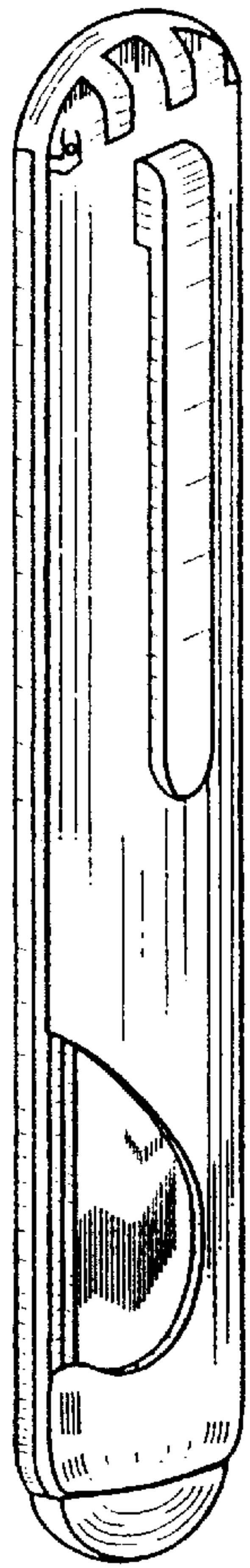


FIG 4

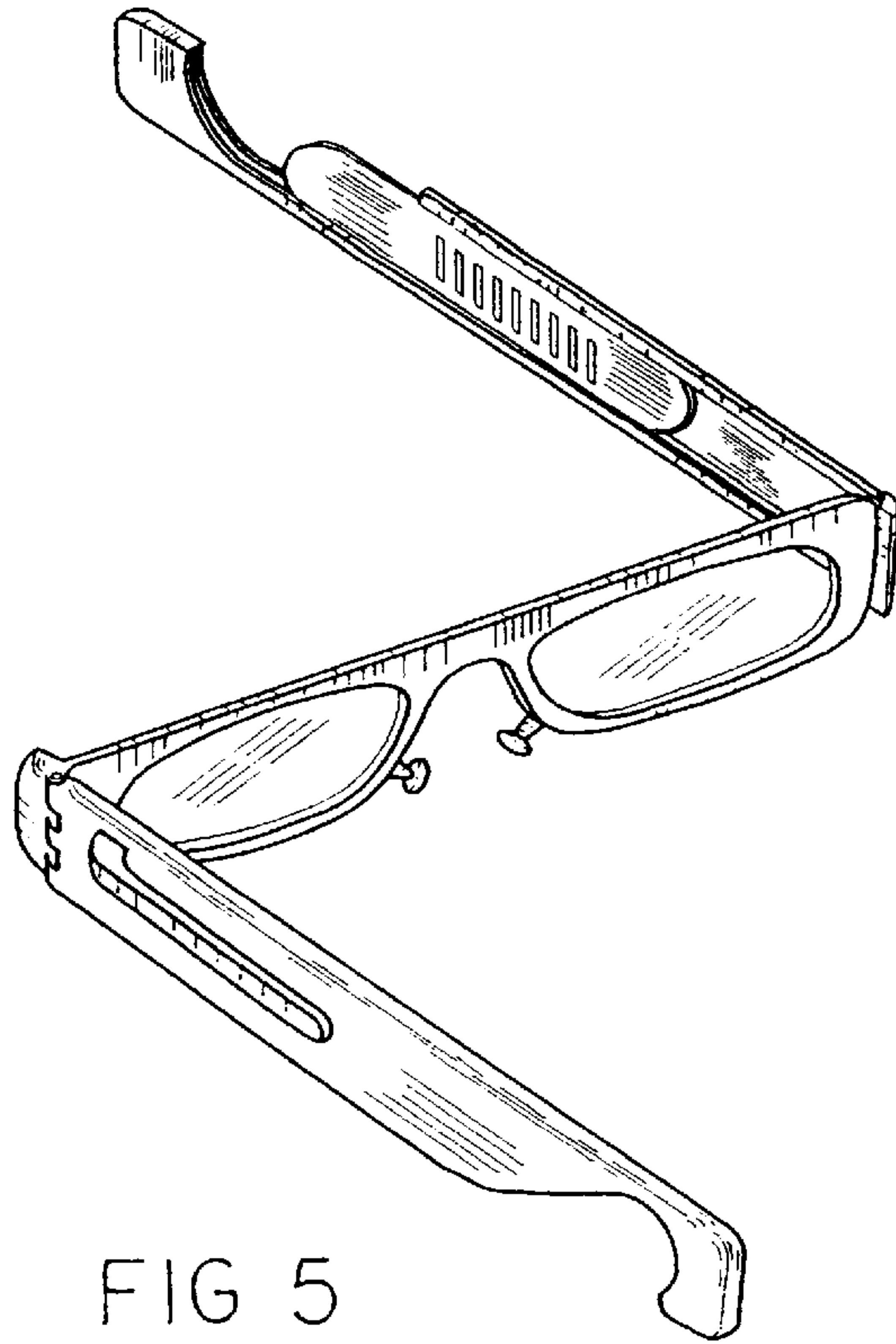


FIG 5

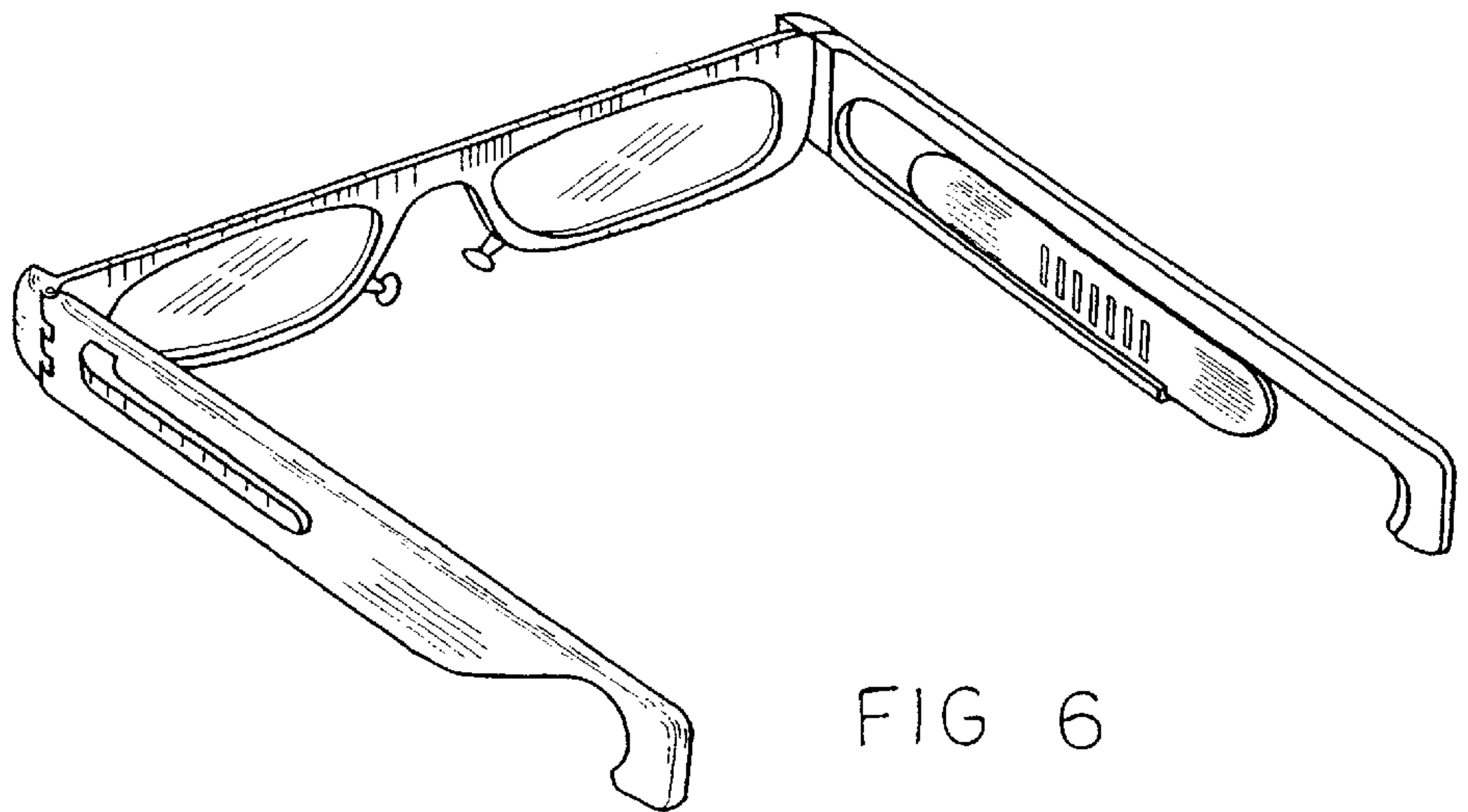


FIG 6