



US00D437336S

(12) **United States Design Patent**
Tanaka et al.

(10) **Patent No.:** **US D437,336 S**

(45) **Date of Patent:** **** Feb. 6, 2001**

(54) **SINGLE-LENS REFLEX CAMERA BODY**

(75) Inventors: **Noboru Tanaka**, Yokohama (JP);
Yoshifumi Ishikawa, Irvine, CA (US);
Shintaro Oshima, Yokohama (JP)

(73) Assignee: **Canon Kabushiki Kaisha**, Tokyo (JP)

(**) Term: **14 Years**

(21) Appl. No.: **29/125,181**

(22) Filed: **Jun. 20, 2000**

(30) **Foreign Application Priority Data**

Dec. 27, 1999 (JP) 11-36160

(51) **LOC (7) Cl.** **16-01**

(52) **U.S. Cl.** **D16/217**

(58) **Field of Search** D16/200-205,
D16/208, 209, 216-218; 396/354-359,
535-541

(56) **References Cited**

U.S. PATENT DOCUMENTS

D. 317,929	7/1991	Tanaka et al.	D16/217
D. 318,678	7/1991	Tanaka et al.	D16/217
D. 318,679	7/1991	Tanaka et al.	D16/239
D. 324,691	3/1992	Sugiyama et al.	D16/217
D. 327,900	7/1992	Tanaka et al.	D16/217

D. 339,367	*	9/1993	Yamamoto	D16/217
D. 340,735		10/1993	Tanaka et al.	D16/217
D. 411,558	*	6/1999	Watanabe	D16/217
D. 418,530		1/2000	Tanaka et al.	D16/217
D. 424,593	*	5/2000	Nojima et al.	D16/217
4,406,533	*	9/1983	Yamamoto	396/206

FOREIGN PATENT DOCUMENTS

6-23039 2/1996 (JP) .

* cited by examiner

Primary Examiner—Adir Aronovich

(74) *Attorney, Agent, or Firm*—Fitzpatrick, Cella, Harper & Scinto

(57) **CLAIM**

The ornamental design for a single-lens reflex camera body, as shown and described.

DESCRIPTION

FIG. 1 is a front view of a single-lens reflex camera body showing our new design;
FIG. 2 is a rear view thereof;
FIG. 3 is a top plan view thereof;
FIG. 4 is a bottom plan view thereof;
FIG. 5 is a left side view thereof;
FIG. 6 is a right side view thereof; and,
FIG. 7 is a perspective view as thereof.

1 Claim, 4 Drawing Sheets

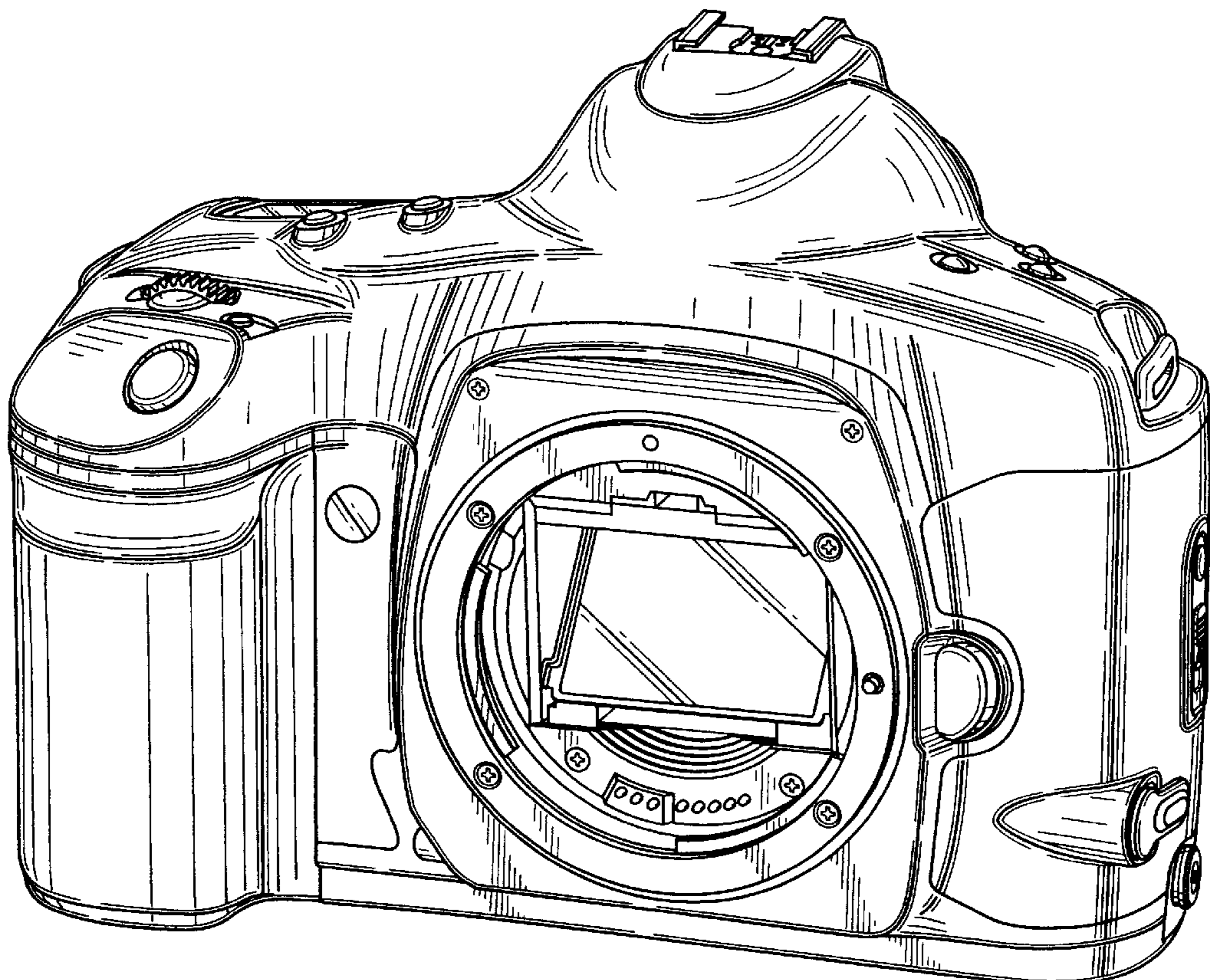


FIG. 1

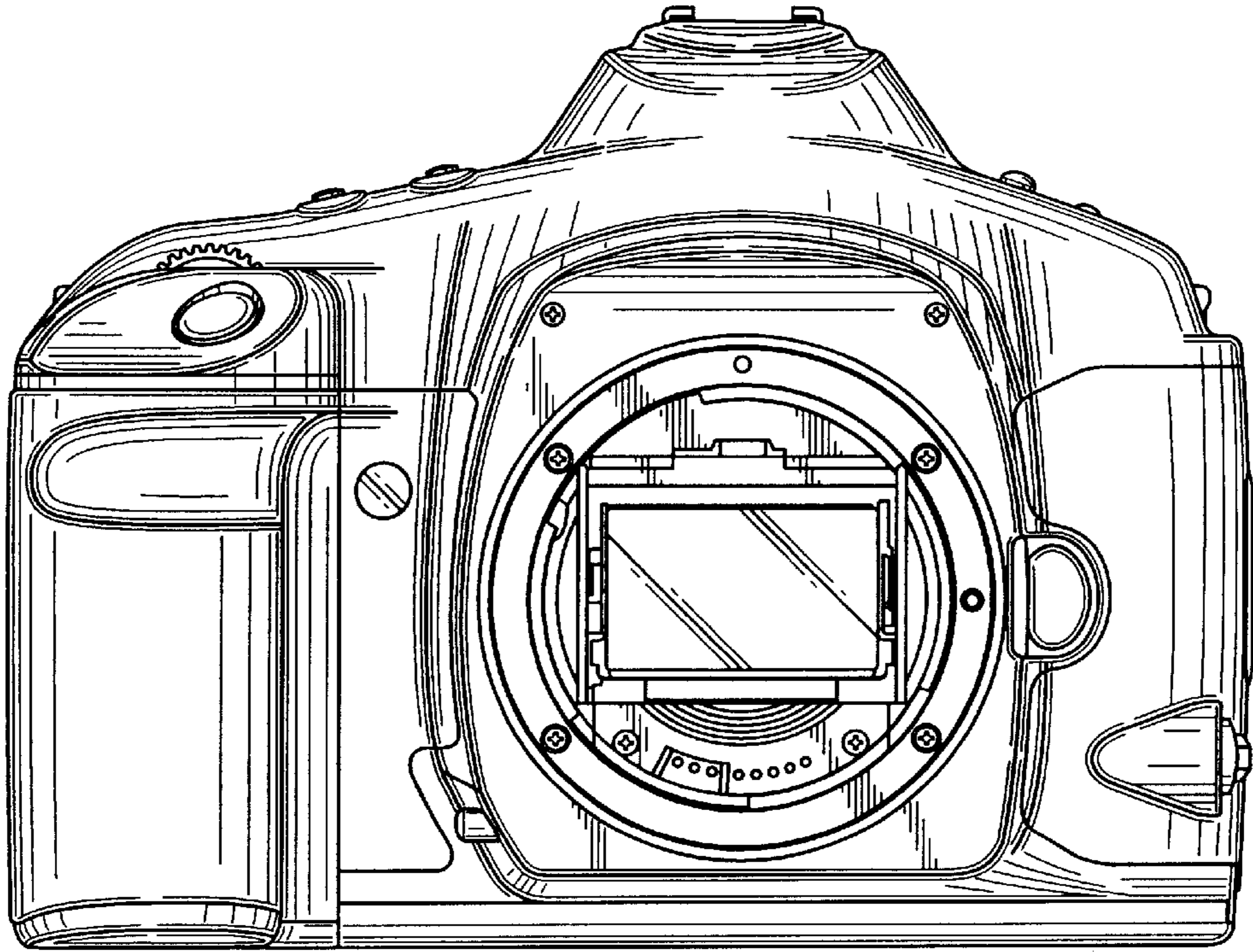


FIG. 2

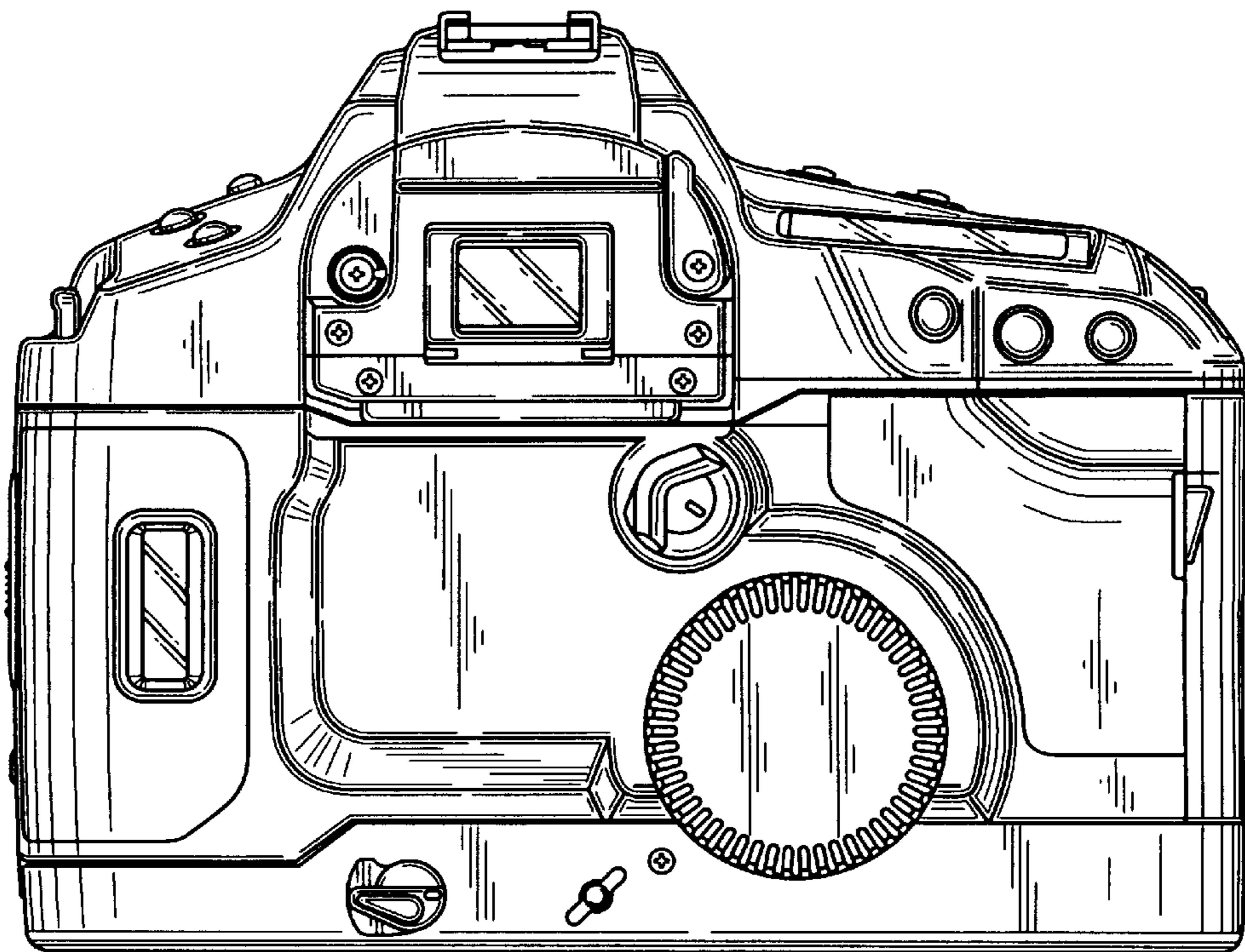


FIG. 3

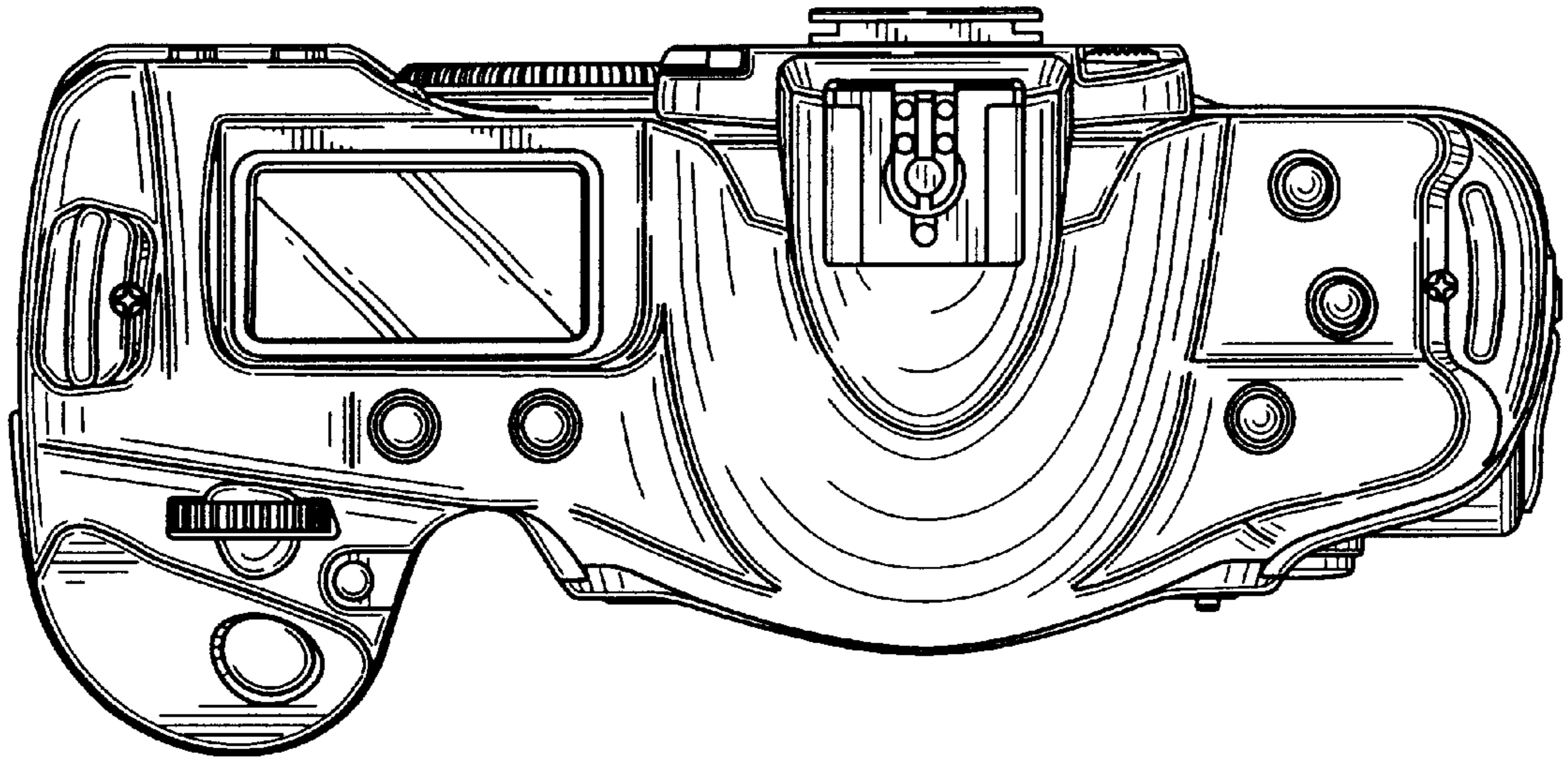


FIG. 4

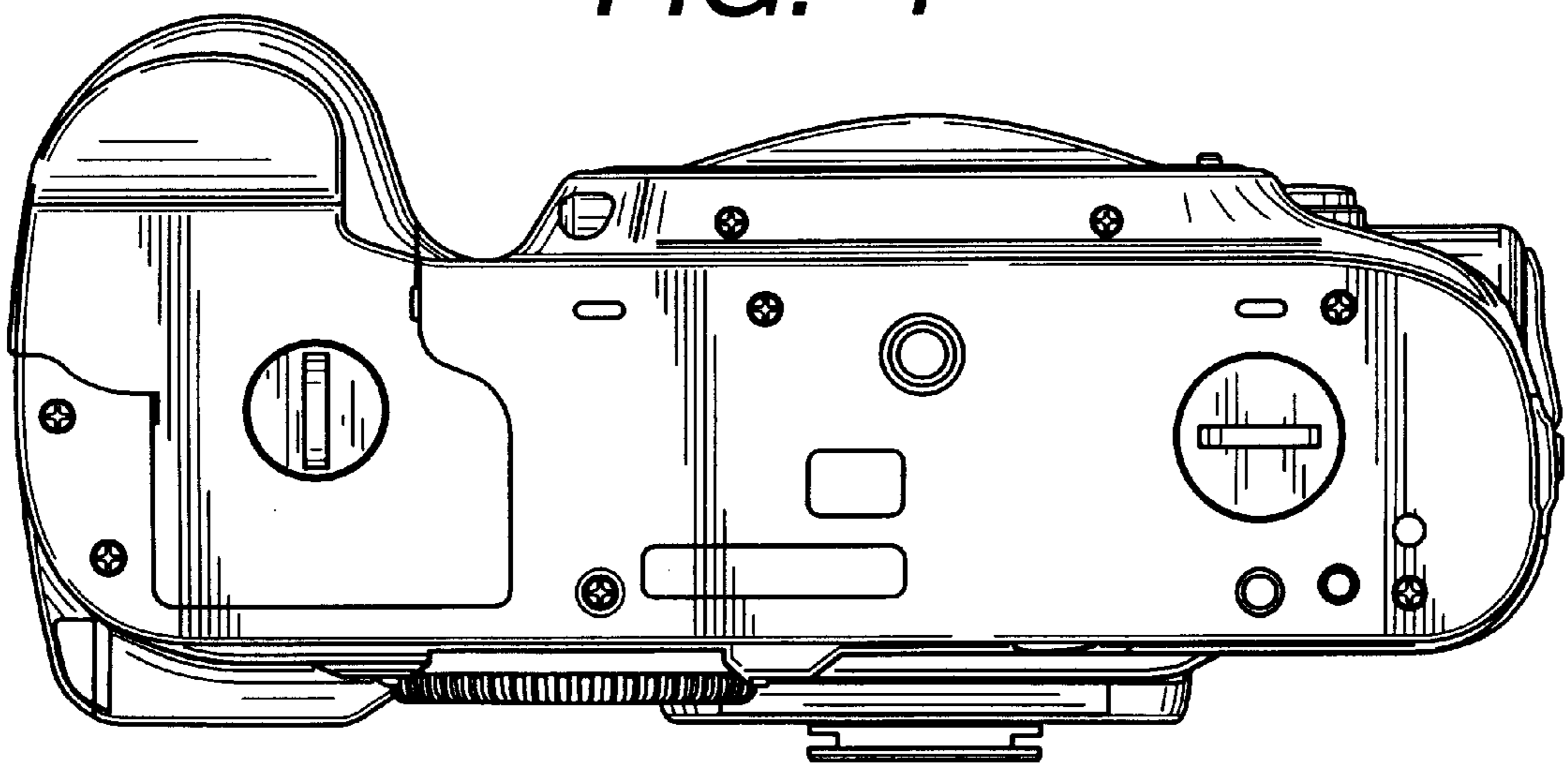


FIG. 5

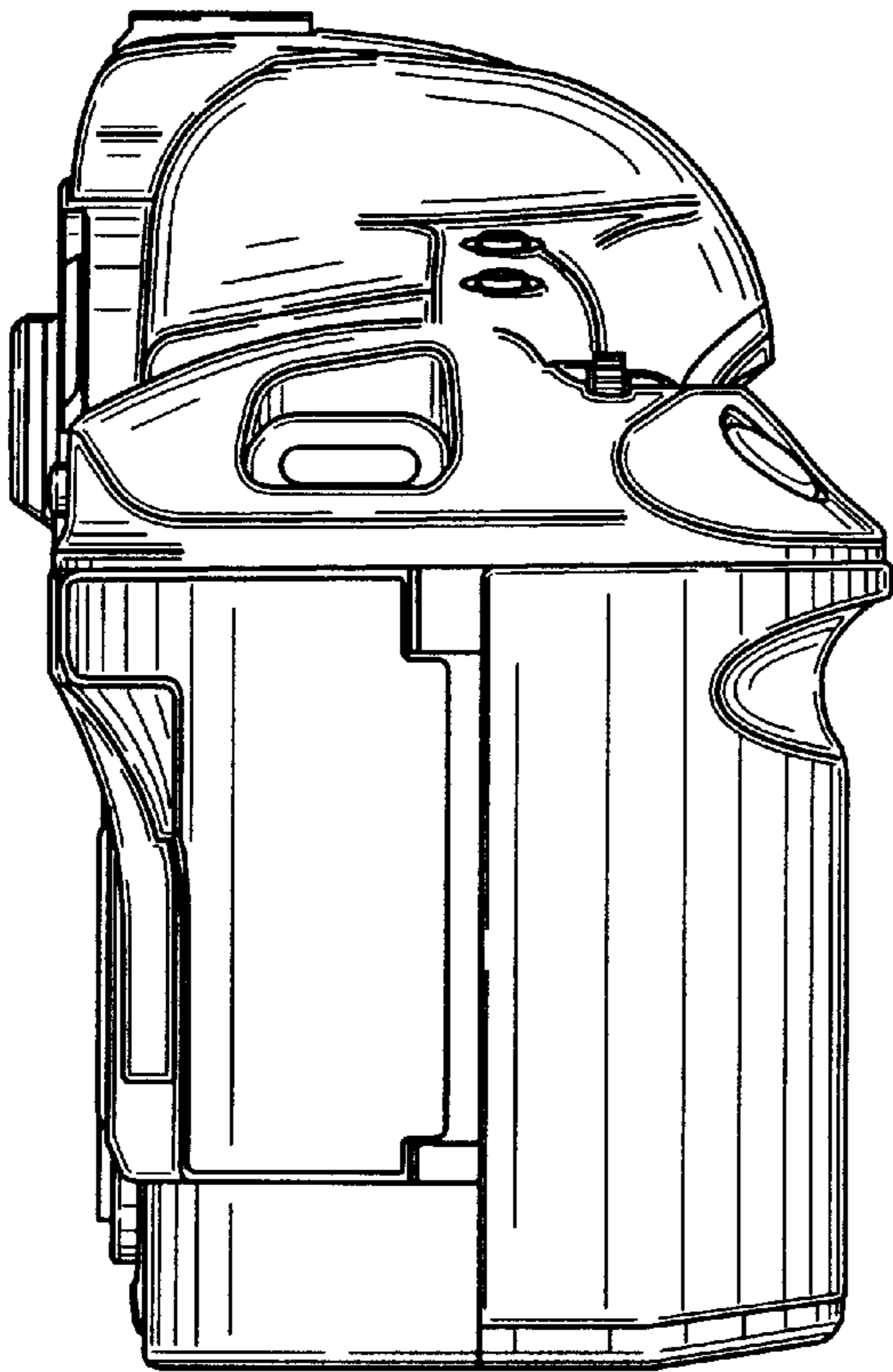


FIG. 6

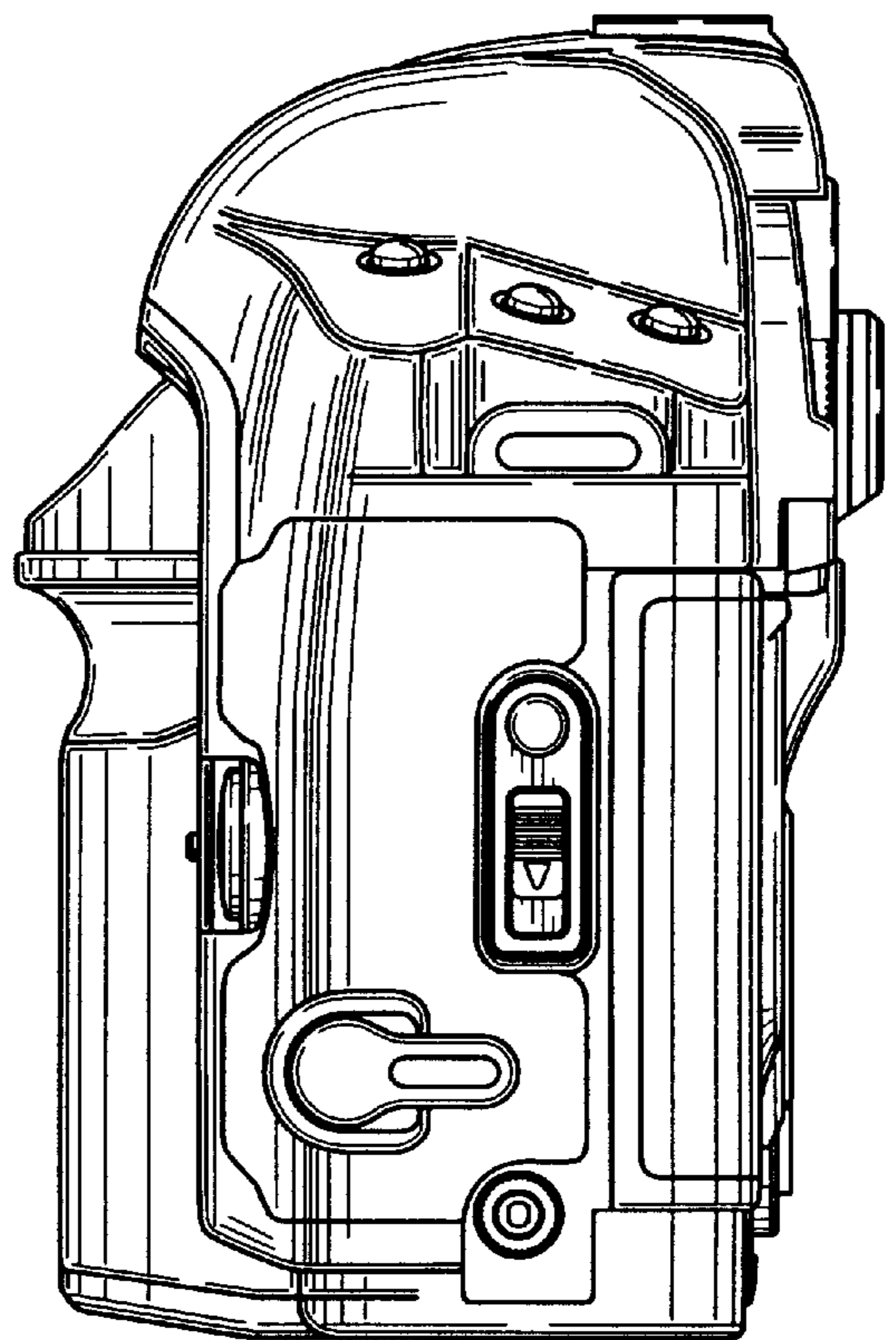


FIG. 7

