



US00D437335S

(12) **United States Design Patent**  
**Nakamura**

(10) **Patent No.:** **US D437,335 S**

(45) **Date of Patent:** **\*\* \*Feb. 6, 2001**

(54) **COMBINED VIDEO TAPE RECORDER AND CAMERA**

(75) **Inventor:** **Toshihiro Nakamura, Tokyo (JP)**

(73) **Assignee:** **Sony Corporation (JP)**

(\*) **Notice:** This patent is subject to a terminal disclaimer.

(\*\*) **Term:** **14 Years**

(21) **Appl. No.:** **29/106,713**

(22) **Filed:** **Jun. 18, 1999**

(30) **Foreign Application Priority Data**

Dec. 18, 1998 (JP) ..... 10-36624

(51) **LOC (7) Cl.** ..... **16-01**

(52) **U.S. Cl.** ..... **D16/202**

(58) **Field of Search** ..... D16/200-208;  
348/373-376; 352/242, 243; 358/906; 396/535-541

(56) **References Cited**

**U.S. PATENT DOCUMENTS**

D. 375,107	10/1996	Ishii	.....	D16/202
D. 380,764	* 7/1997	Ishii	.....	D16/202
D. 384,085	9/1997	Harata	.....	D16/202
D. 385,568	10/1997	Harata	.....	D16/202
D. 400,900	11/1998	Harata	.....	D16/202
D. 401,256	11/1998	Harata	.....	D16/202
D. 407,424	* 3/1999	Nakamura	.....	D16/202
D. 409,639	5/1999	Sumita	.....	D16/202

D. 410,016	5/1999	Maeyama	.....	D16/202
D. 414,792	* 10/1999	Harata	.....	D16/202
D. 415,778	* 10/1999	Harata	.....	D16/202
D. 416,928	* 11/1999	Sumita	.....	D16/202
D. 417,230	* 11/1999	Sumita	.....	D16/202
5,499,052	* 3/1996	Nakanishi et al.	.....	348/373

**FOREIGN PATENT DOCUMENTS**

DM/042 443 \* 3/1998 (XH) .

**OTHER PUBLICATIONS**

Catalog "Style", p. 159, Sony (Fall/Winter, 1998).

\* cited by examiner

*Primary Examiner*—Adir Aronovich

(74) *Attorney, Agent, or Firm*—Rader, Fishman & Grauer

(57) **CLAIM**

The ornamental design for a combined video tape recorder and camera, as shown and described.

**DESCRIPTION**

FIG. 1 is a perspective view of a combined video tape recorder and camera showing my new design;  
FIG. 2 is a top plan view thereof;  
FIG. 3 is a bottom plan view thereof;  
FIG. 4 is a left side elevational view thereof;  
FIG. 5 is a right side elevational view thereof;  
FIG. 6 is a front elevational view thereof; and,  
FIG. 7 is a rear elevational view thereof.

**1 Claim, 4 Drawing Sheets**

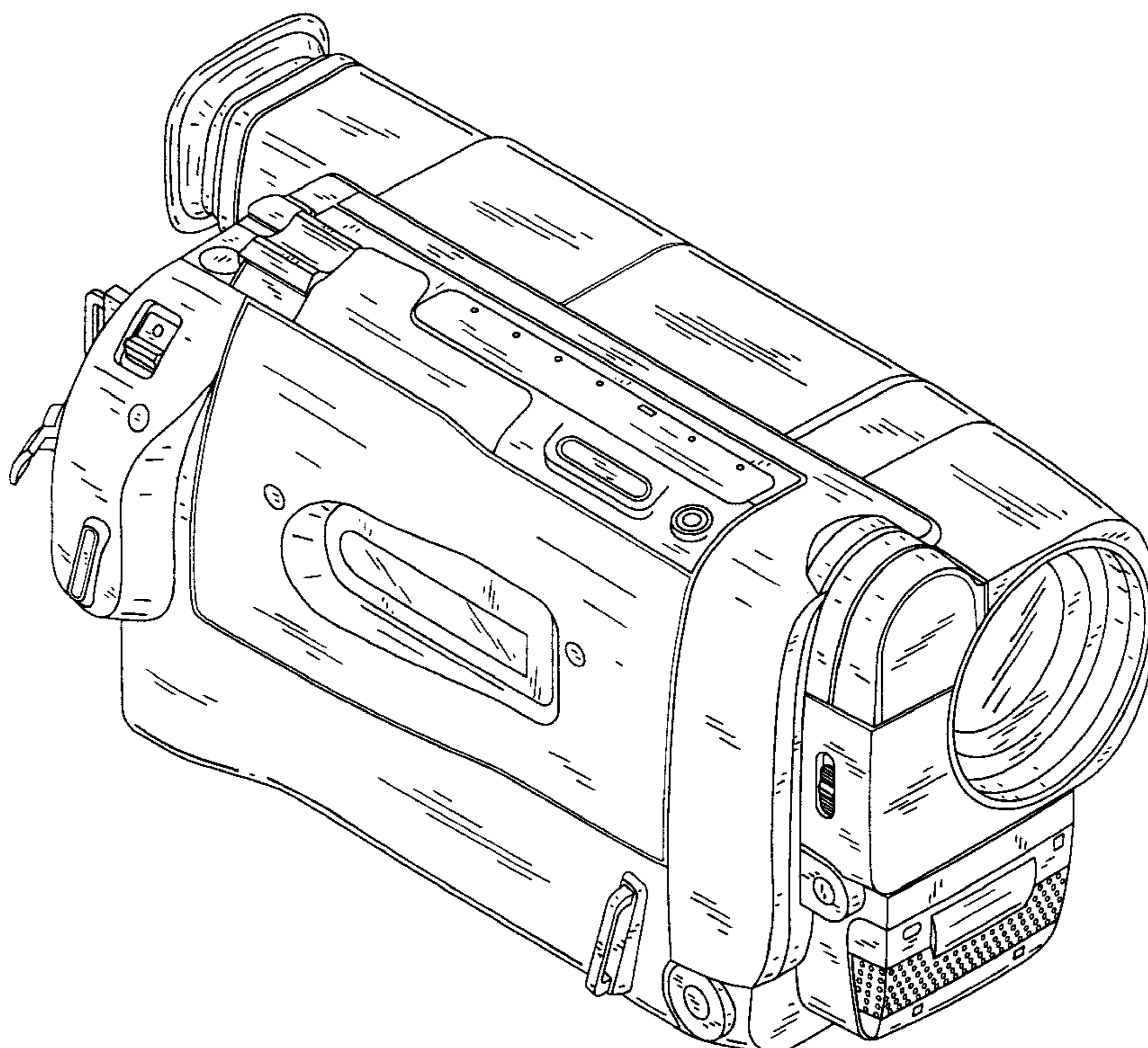


FIG. 1

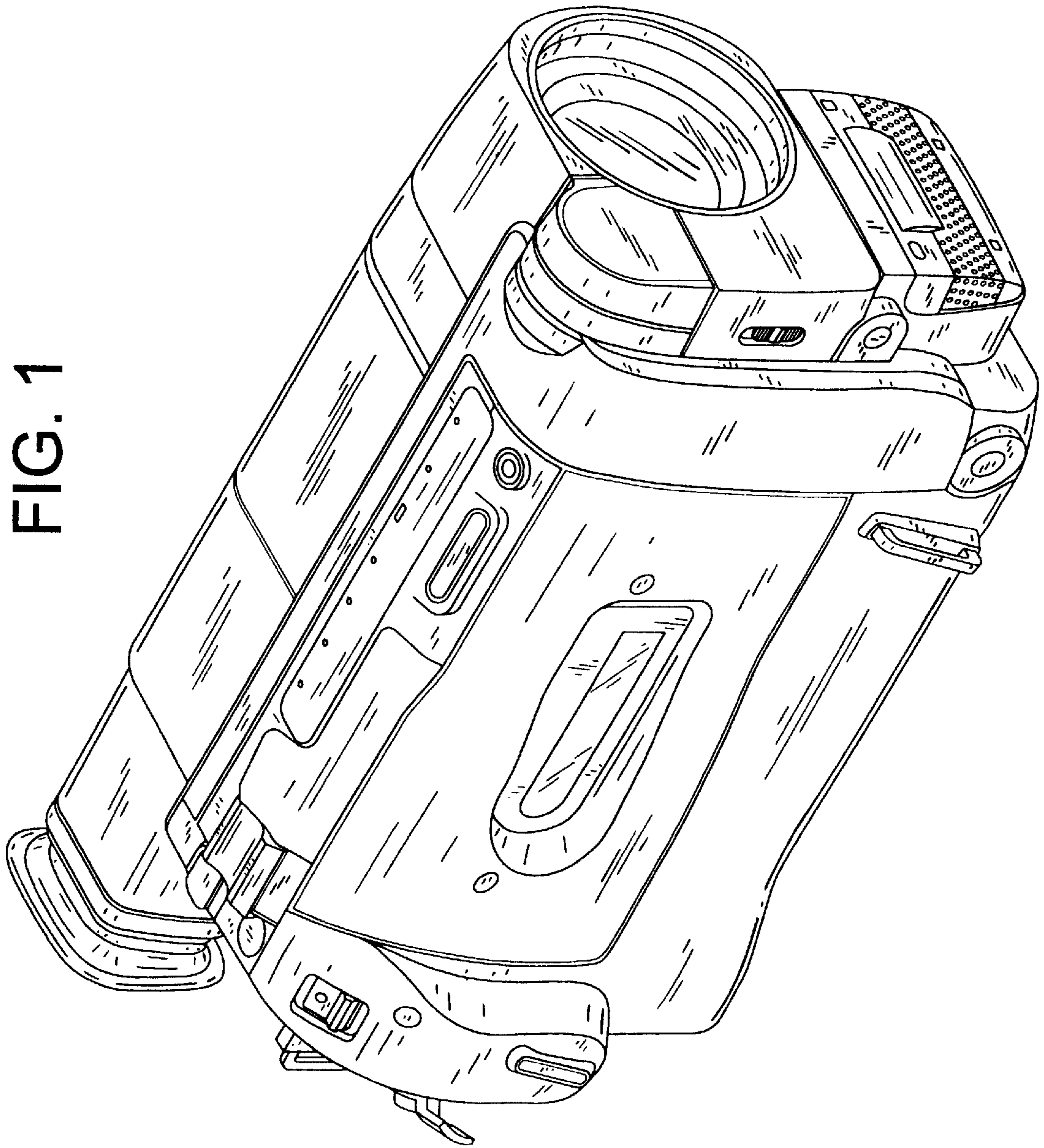


FIG. 3

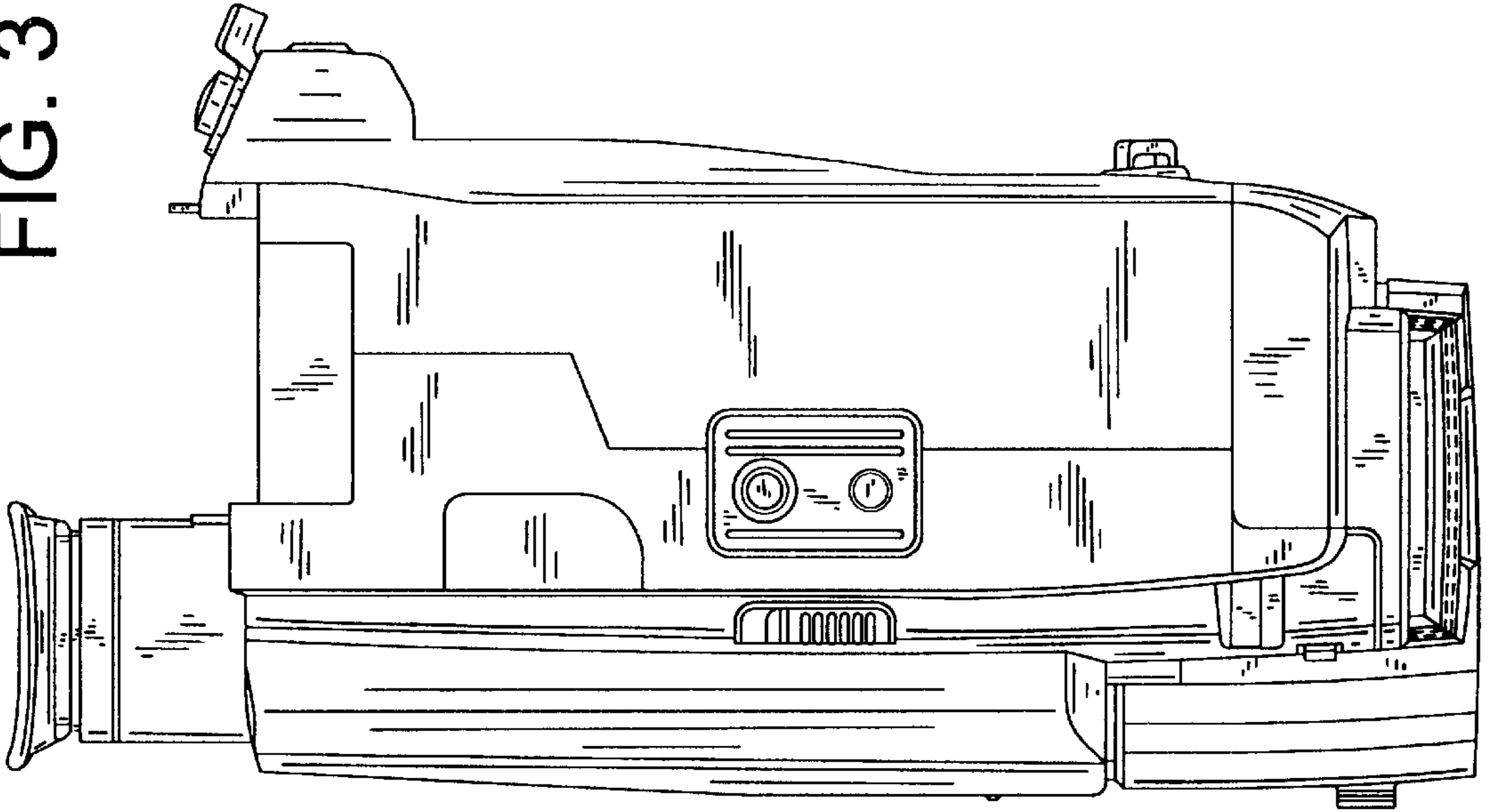


FIG. 2

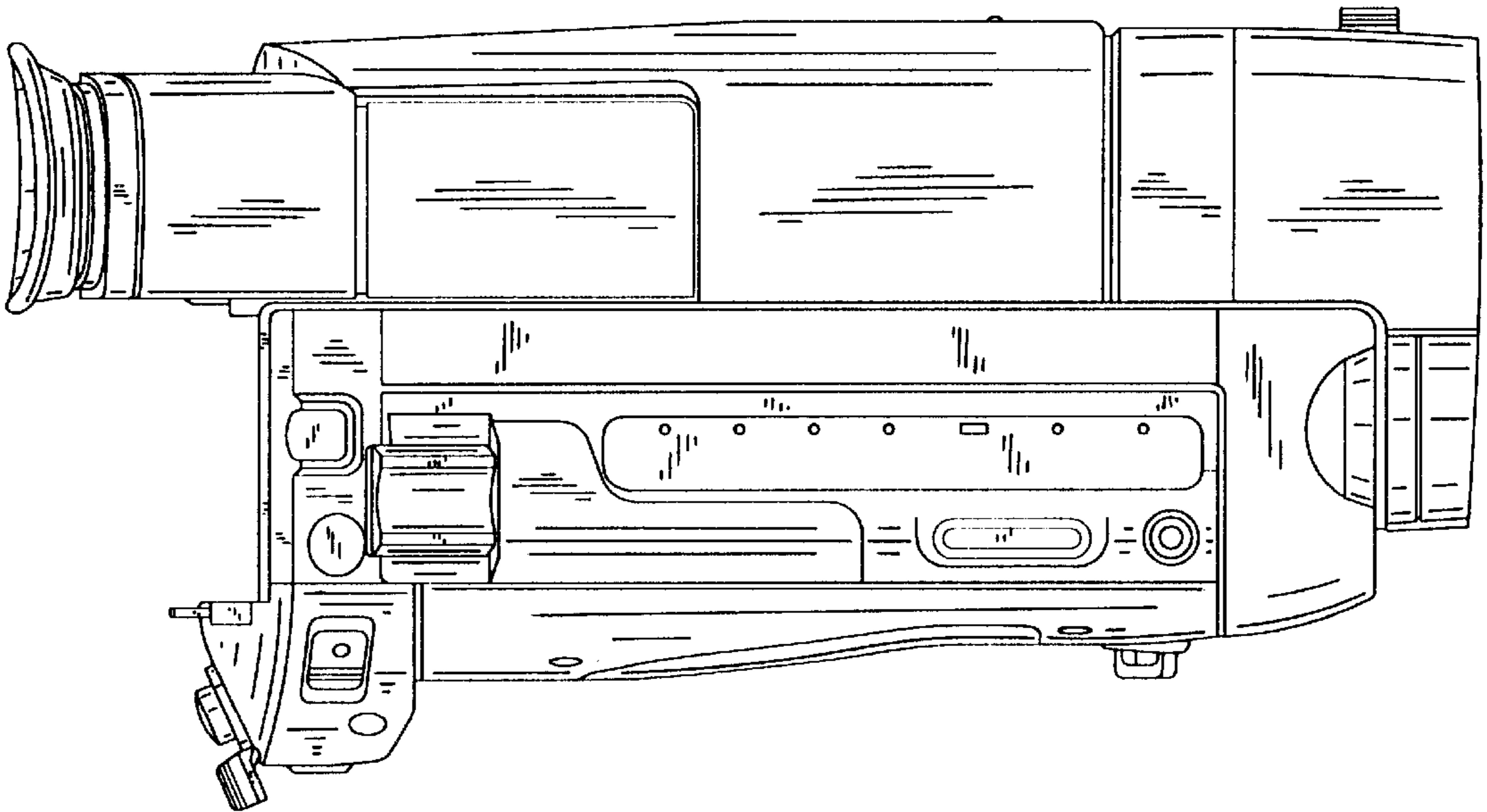


FIG. 4

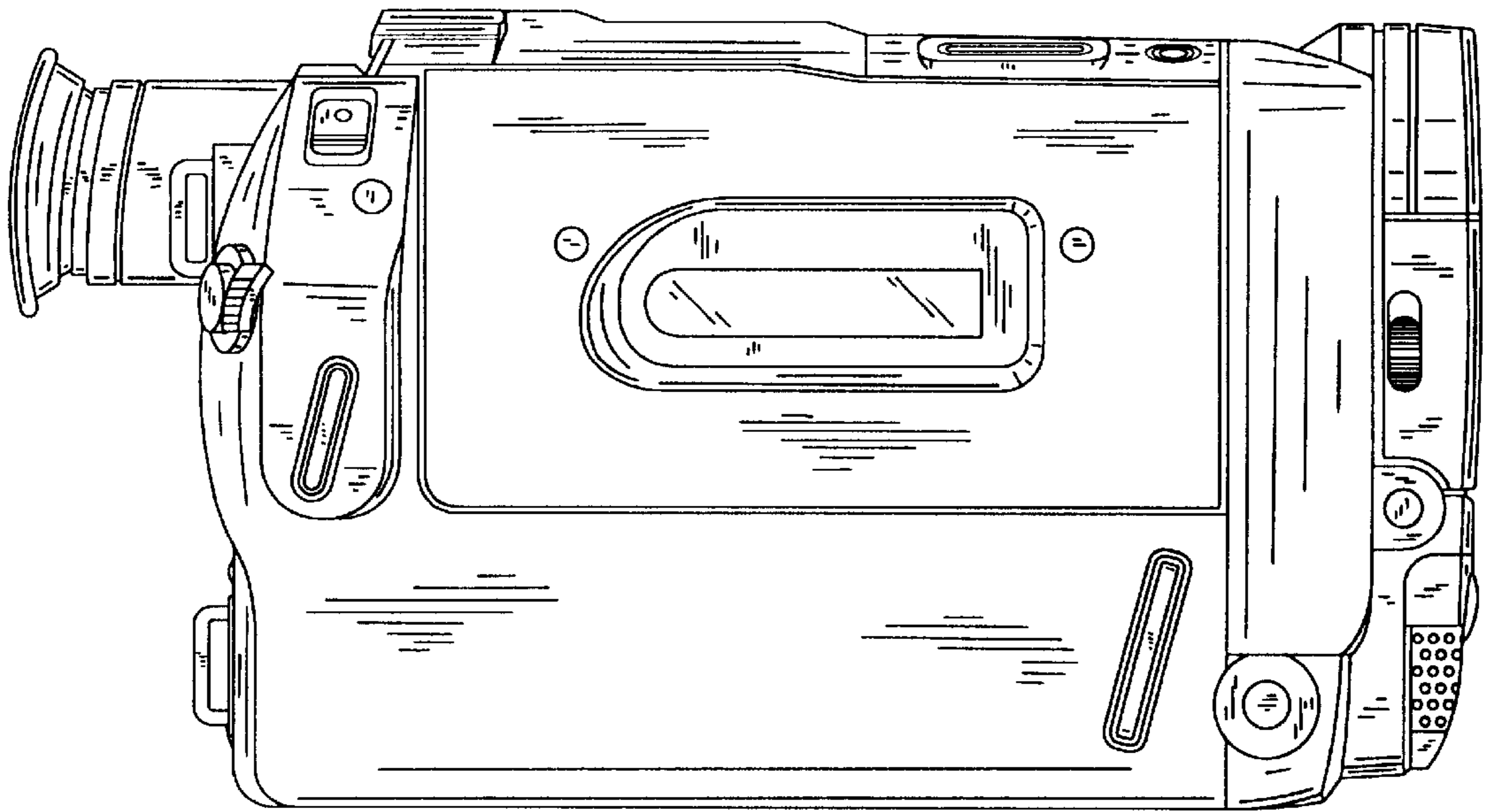


FIG. 5

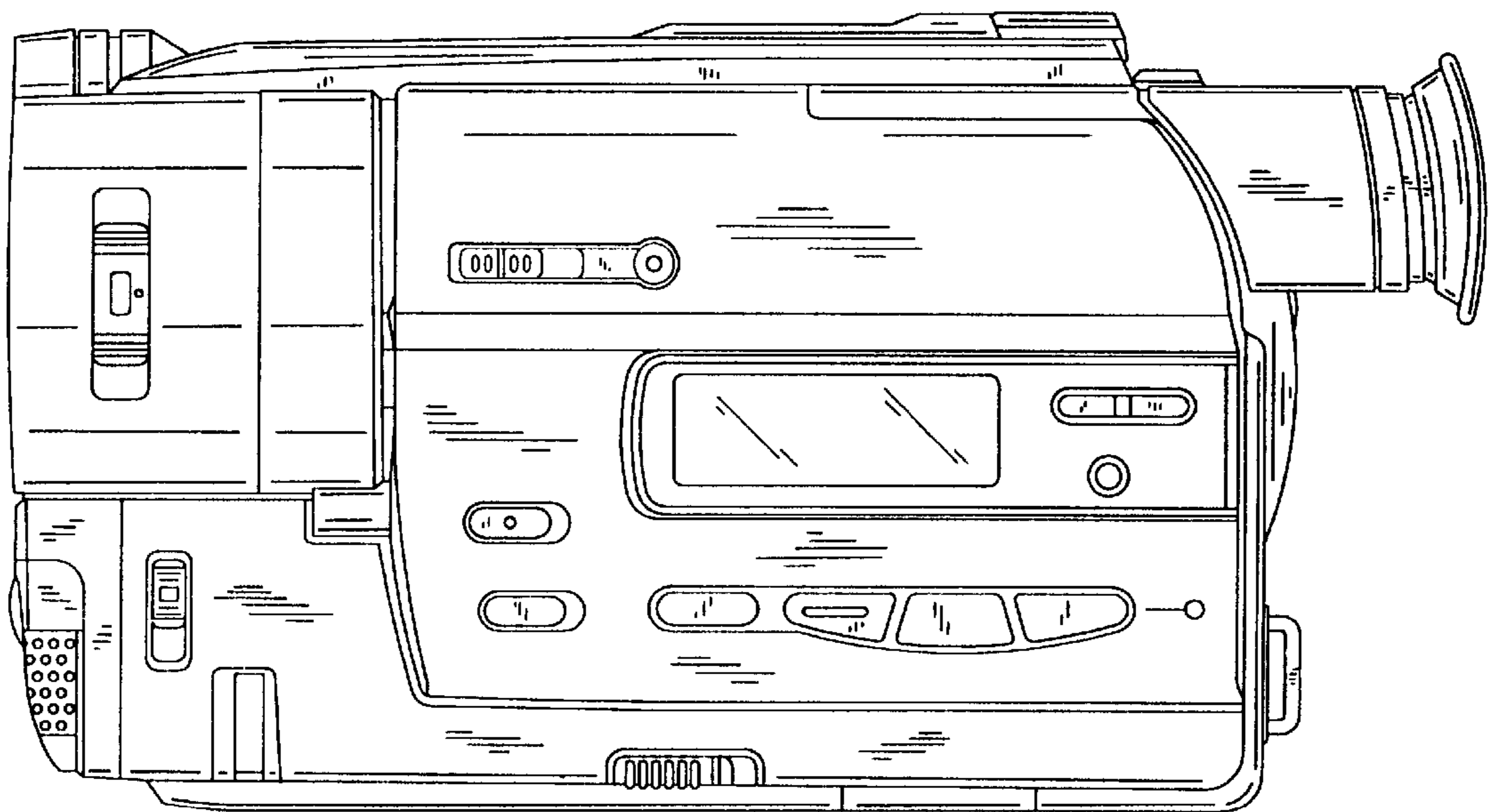


FIG. 6

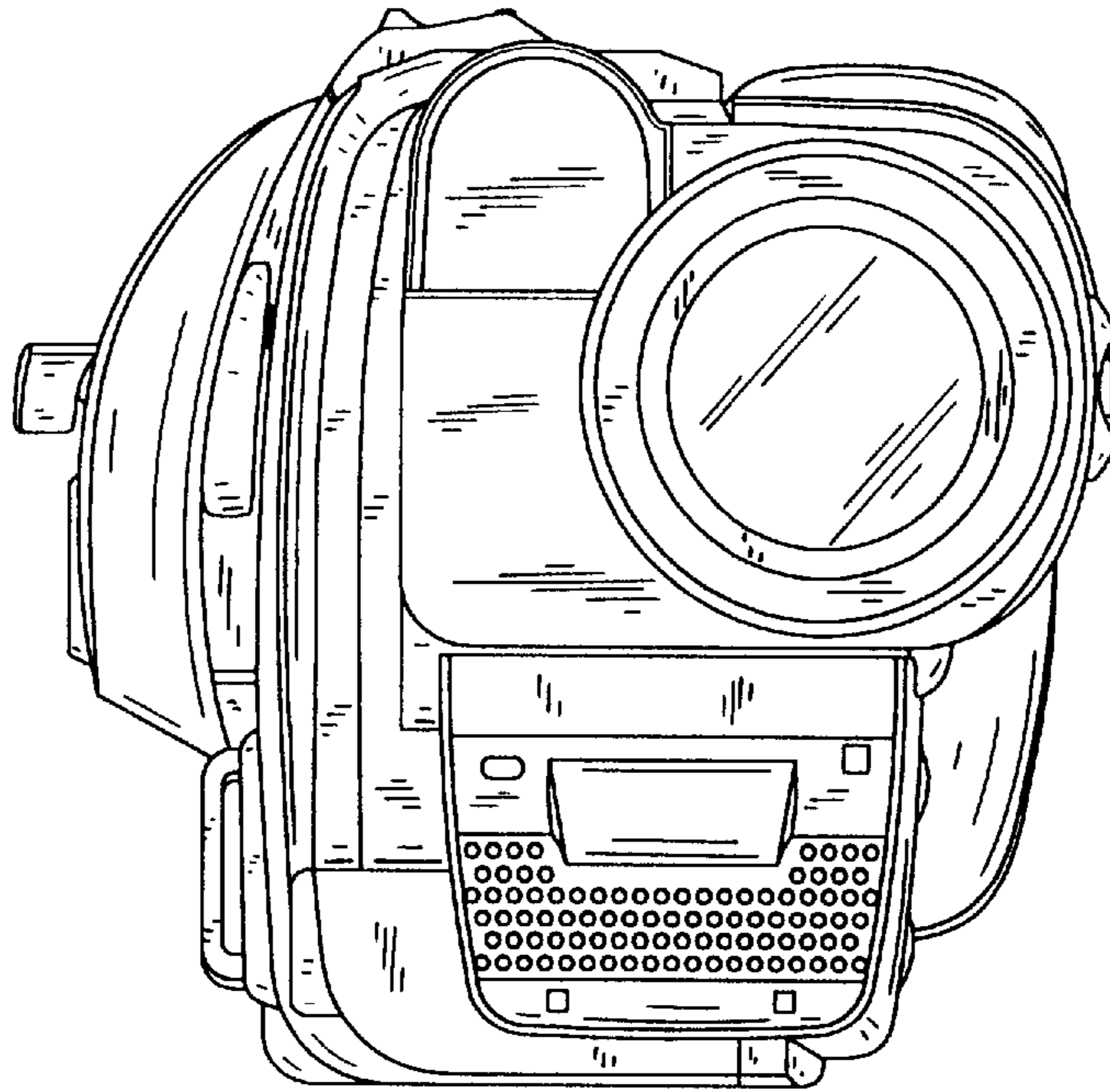


FIG. 7

