



US00D437333S

(12) **United States Design Patent**
Kim

(10) **Patent No.:** **US D437,333 S**

(45) **Date of Patent:** **** Feb. 6, 2001**

- (54) **PROCESS CHAMBER TRAY**
- (75) Inventor: **Daehwan D. Kim**, Sunnyvale, CA (US)
- (73) Assignee: **Applied Materials, Inc.**, Santa Clara, CA (US)
- (**) Term: **14 Years**

5,352,248	10/1994	Ishikawa et al.	29/25.01
5,380,682	1/1995	Edwards et al.	437/225
5,516,732	5/1996	Flegal	437/250
5,520,002	5/1996	Ishikawa	62/55.5
5,582,866	12/1996	White	427/248.1

(List continued on next page.)

FOREIGN PATENT DOCUMENTS

- (21) Appl. No.: **29/114,740**
- (22) Filed: **Nov. 30, 1999**
- (51) **LOC (7) Cl.** **15-01**
- (52) **U.S. Cl.** **D15/144.1**
- (58) **Field of Search** D15/144, 144.1,
D15/144.2; 417/48, 51, 53, 199.1; 438/689,
710, 729, 745, 694; 156/345 L, 345 WH,
345 MC, 345 PC, 345 PW

0756316A1	1/1997	(EP) .
60-221572	6/1985	(JP) .
61-170568	8/1986	(JP) .
61-246381	11/1986	(JP) .
62-116769	5/1987	(JP) .
62-131455	6/1987	(JP) .
62-164875	7/1987	(JP) .
4-87782	3/1992	(JP) .
4-87784	3/1992	(JP) .
4-87785	3/1992	(JP) .
WO 87/07309	3/1987	(WO) .

(56) **References Cited**

U.S. PATENT DOCUMENTS

D. 397,346	*	8/1998	Fan et al.	D15/144.1
4,405,435		9/1983	Tateishi et al.	204/298
4,498,416		2/1985	Bouchaib	118/719
4,592,306		6/1986	Gallego	118/719
4,607,593		8/1986	Van Hemel	118/719
4,664,062		5/1987	Kamohara et al.	118/719
4,681,773		7/1987	Bean	427/38
4,709,655		12/1987	Van Mastrigt	118/719
4,715,921		12/1987	Maher et al.	156/345
4,717,461		1/1988	Strahl et al.	204/192.1
4,733,631		3/1988	Boyarsky et al.	118/719
4,739,787		4/1988	Stoltenberg	137/14
4,820,106		4/1989	Walde et al.	414/217
4,825,808		5/1989	Takahashi et al.	118/719
4,857,160		8/1989	Landau et al.	204/192.12
4,886,592		12/1989	Anderle et al.	204/298
4,917,556		4/1990	Stark et al.	414/217
4,951,601		8/1990	Maydan et al.	118/719
5,000,113		3/1991	Wang et al.	118/723
5,067,218		11/1991	Williams	29/25.01
5,088,444		2/1992	Ohmine et al.	118/719
5,186,718		2/1993	Tepman et al.	29/25.01
5,199,483		4/1993	Bahng	165/1
5,259,881		11/1993	Edwards et al.	118/719

Primary Examiner—Antoine Duval Davis
(74) *Attorney, Agent, or Firm*—Thomason, Moser & Patterson

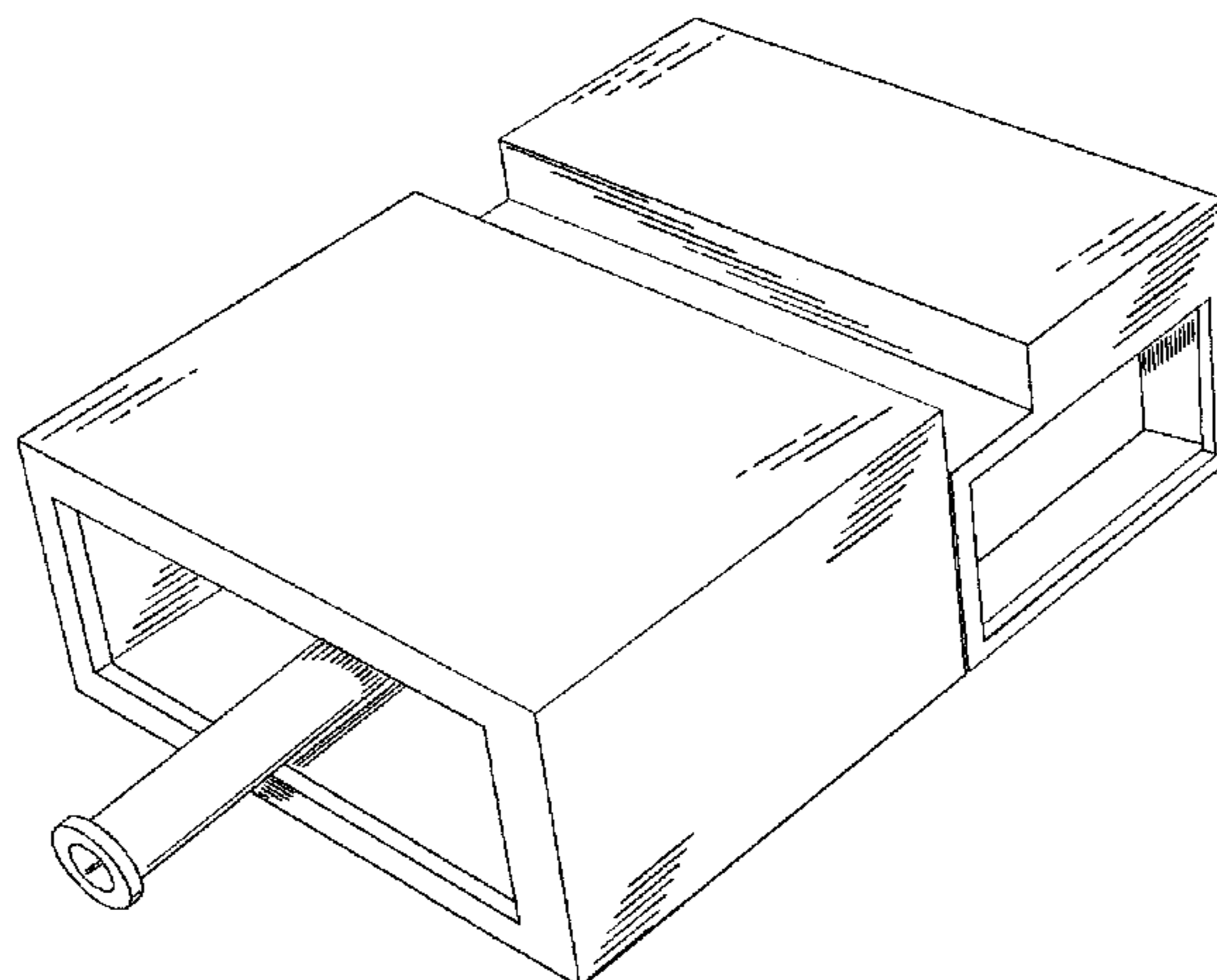
(57) **CLAIM**

The ornamental design for a process chamber tray, as shown.

DESCRIPTION

FIG. 1 is a top perspective view of a process chamber tray of the present invention;
 FIG. 2 is a perspective view showing one side of a process chamber tray of the present invention;
 FIG. 3 is a perspective view showing another side of a process chamber tray of the present invention;
 FIG. 4 is a perspective view showing the top of a process chamber tray of the present invention;
 FIG. 5 is a perspective view showing the bottom of a process chamber tray of the present invention;
 FIG. 6 is a perspective view showing the front end of a process chamber tray of the present invention; and,
 FIG. 7 is a perspective view showing the back end of a process chamber tray of the present invention.

1 Claim, 6 Drawing Sheets



US D437,333 S

Page 2

U.S. PATENT DOCUMENTS

				5,944,857	8/1999	Edwards et al.	29/25.01
				5,997,255	* 12/1999	Krueger et al.	417/48
				6,017,820	* 1/2000	Ting et al.	438/689
5,769,952	6/1998	Komino	118/733				
5,784,238	7/1998	Nering et al.	361/65				
5,930,456	7/1999	Vosen	392/416				

* cited by examiner

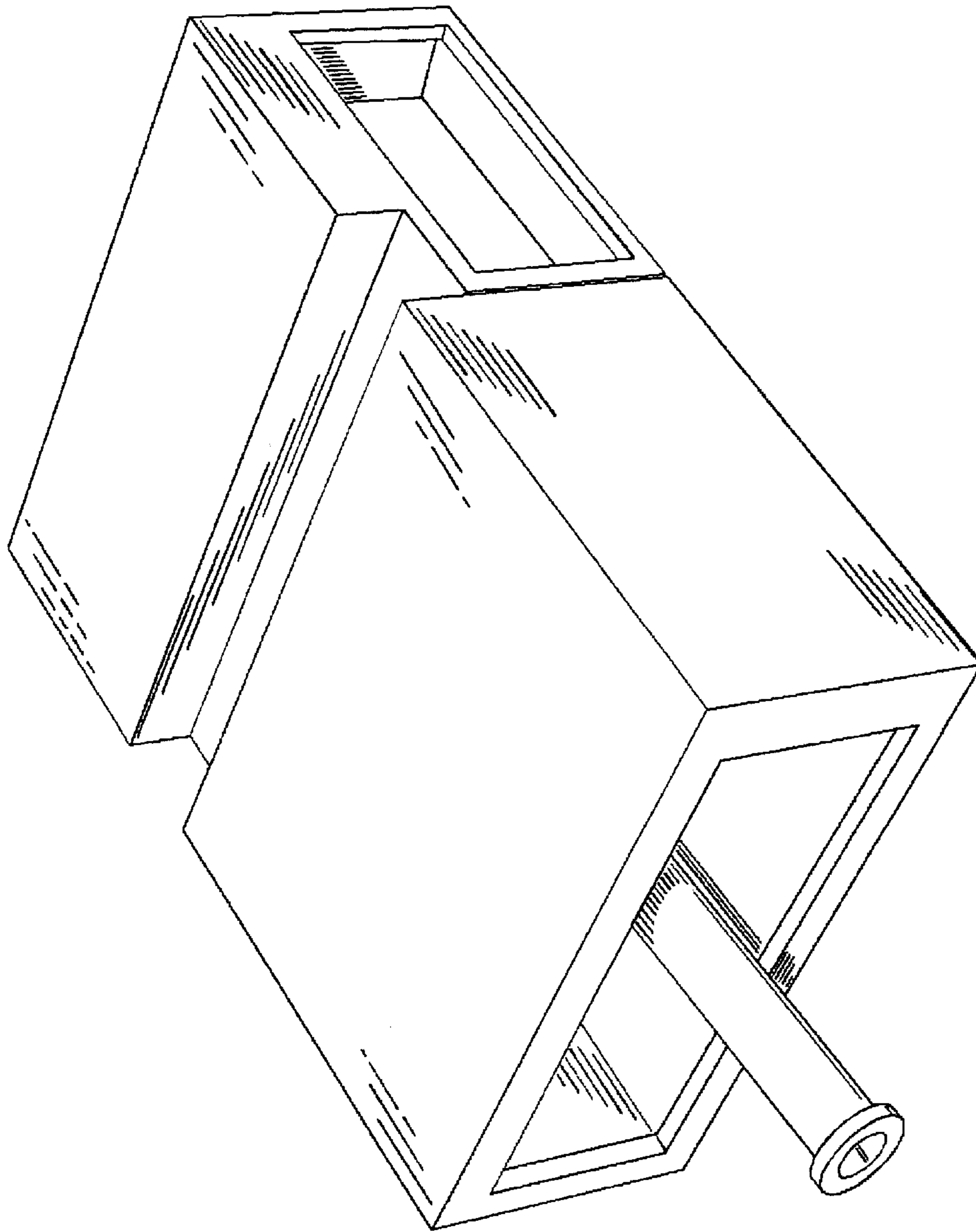


Fig. 1

Fig. 2

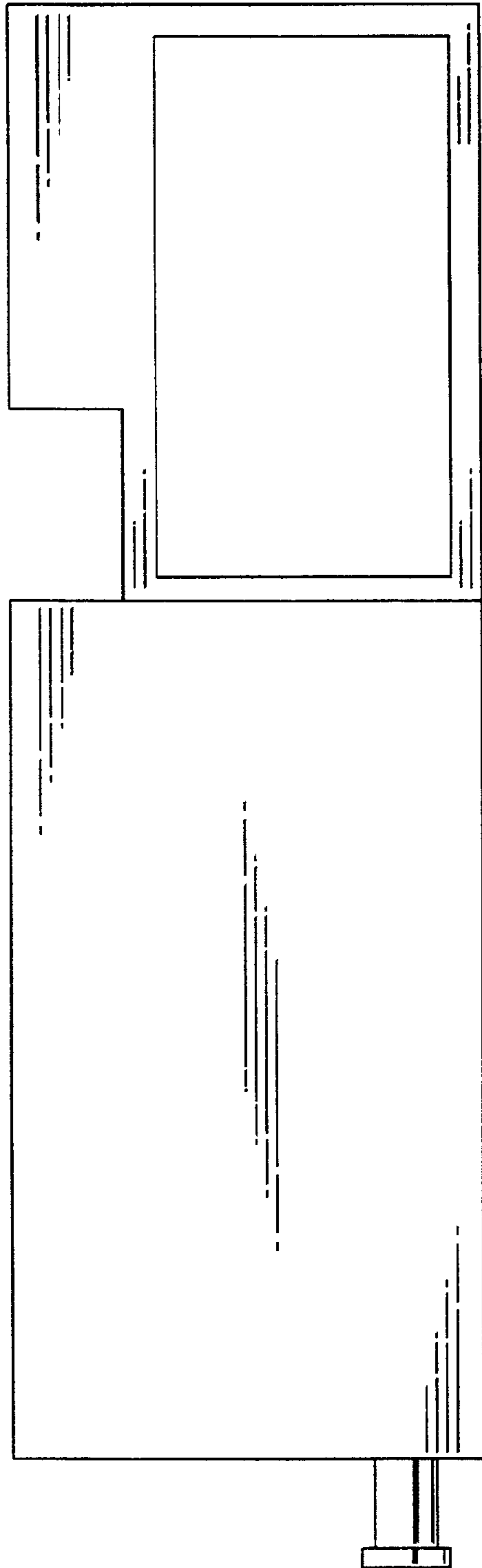


Fig. 3

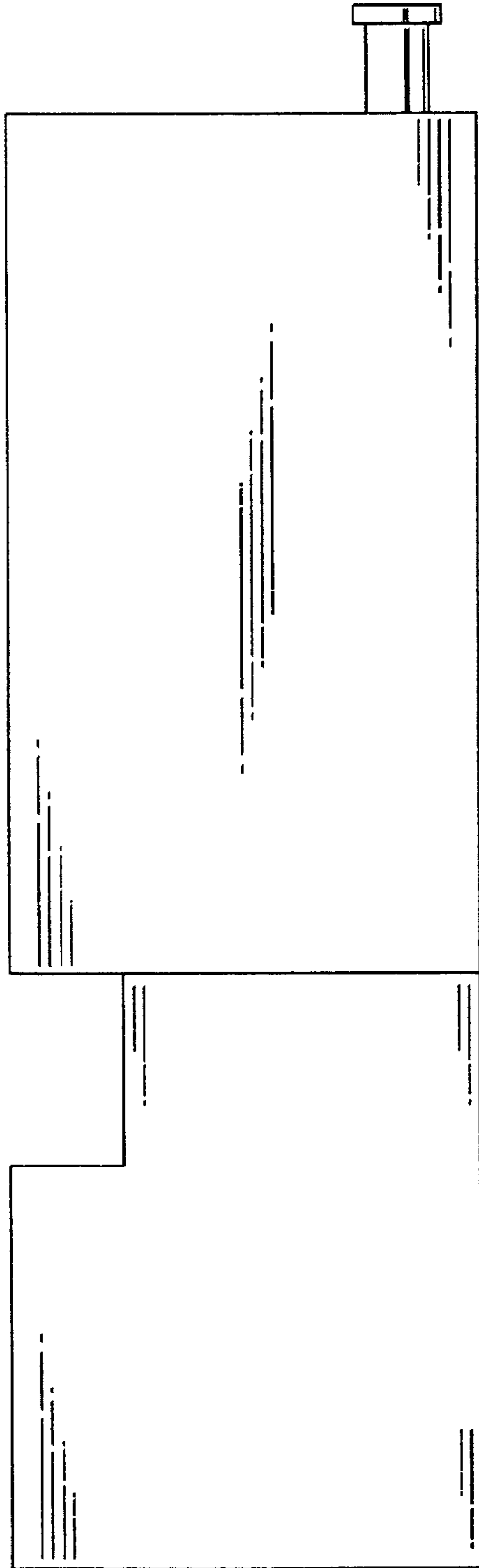
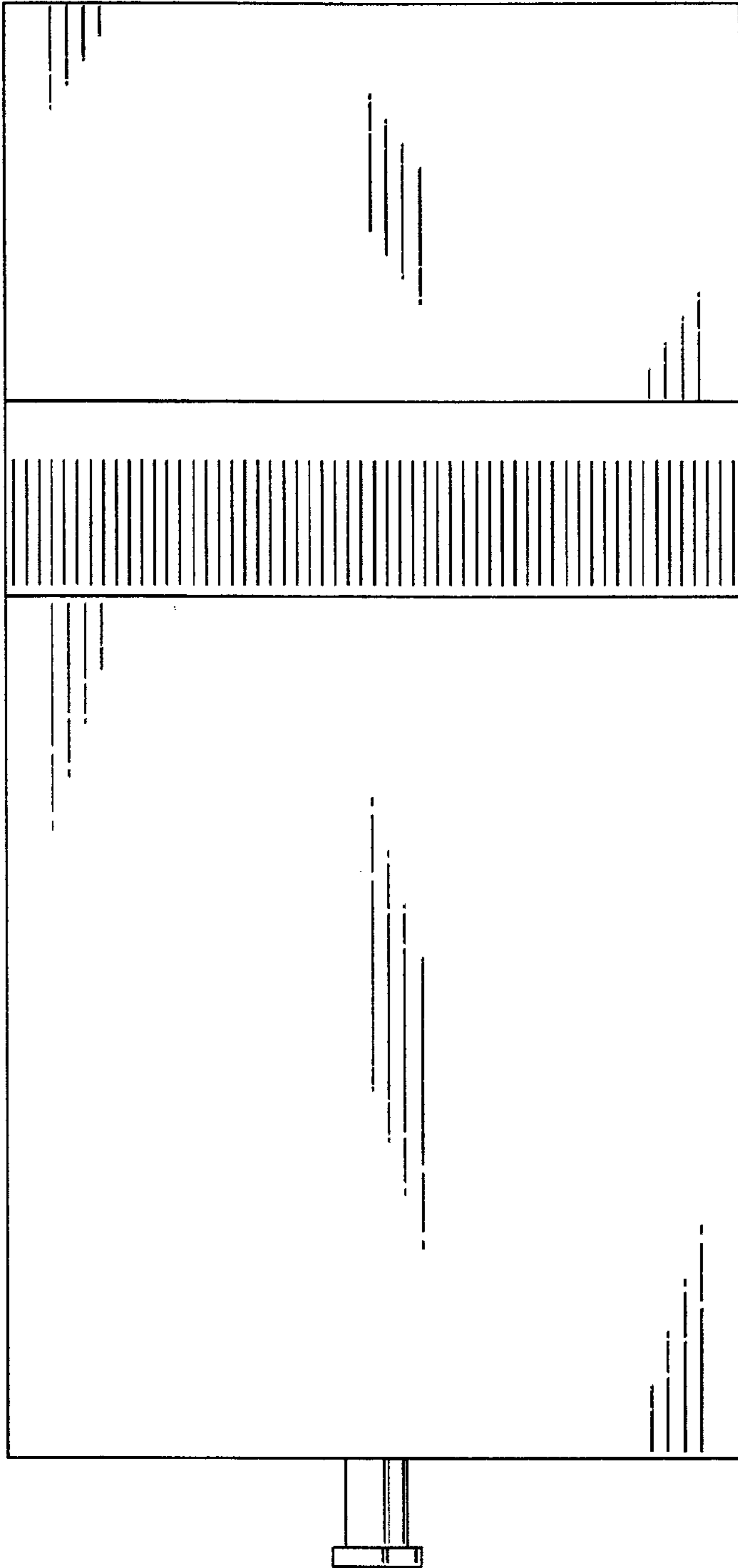


Fig. 4



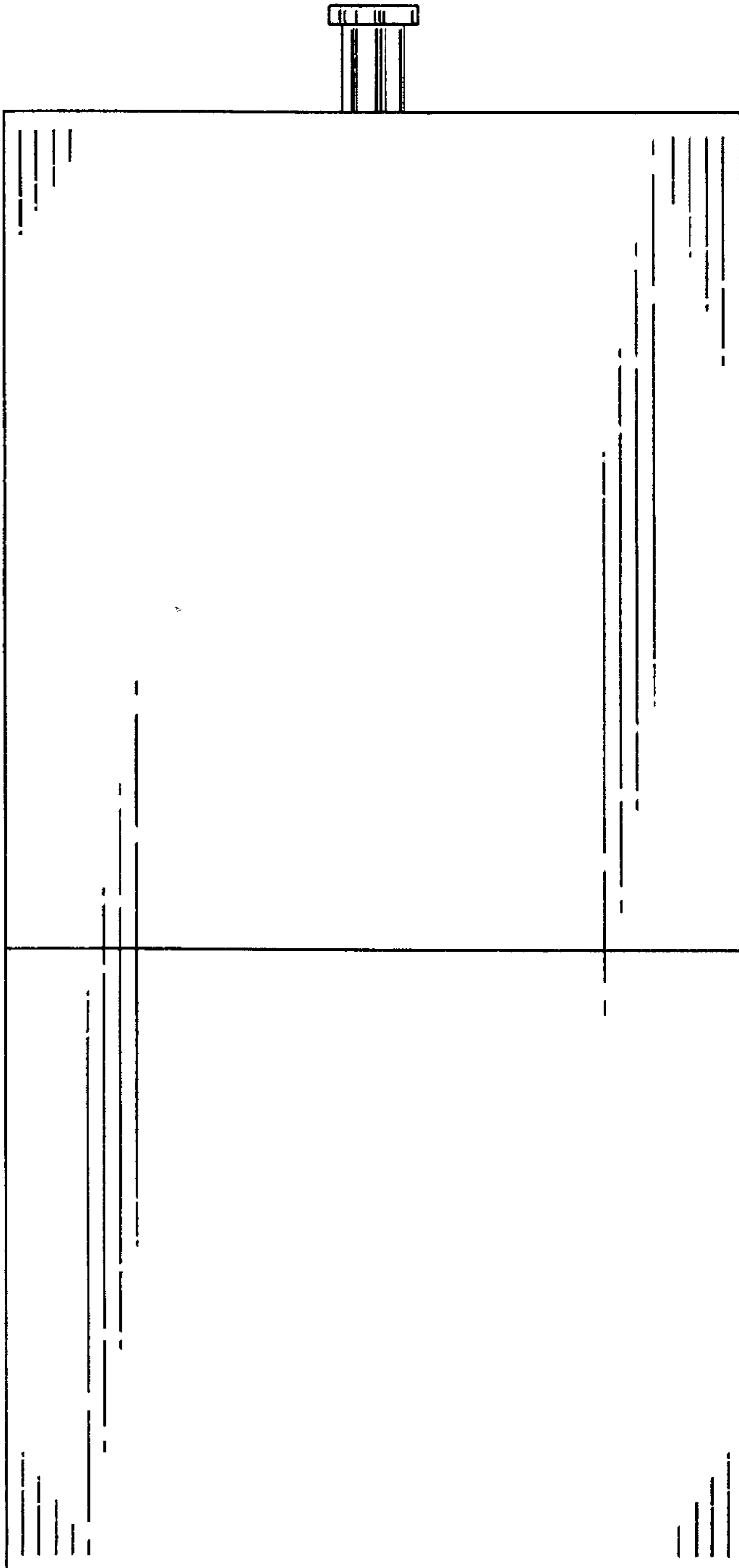


Fig. 5

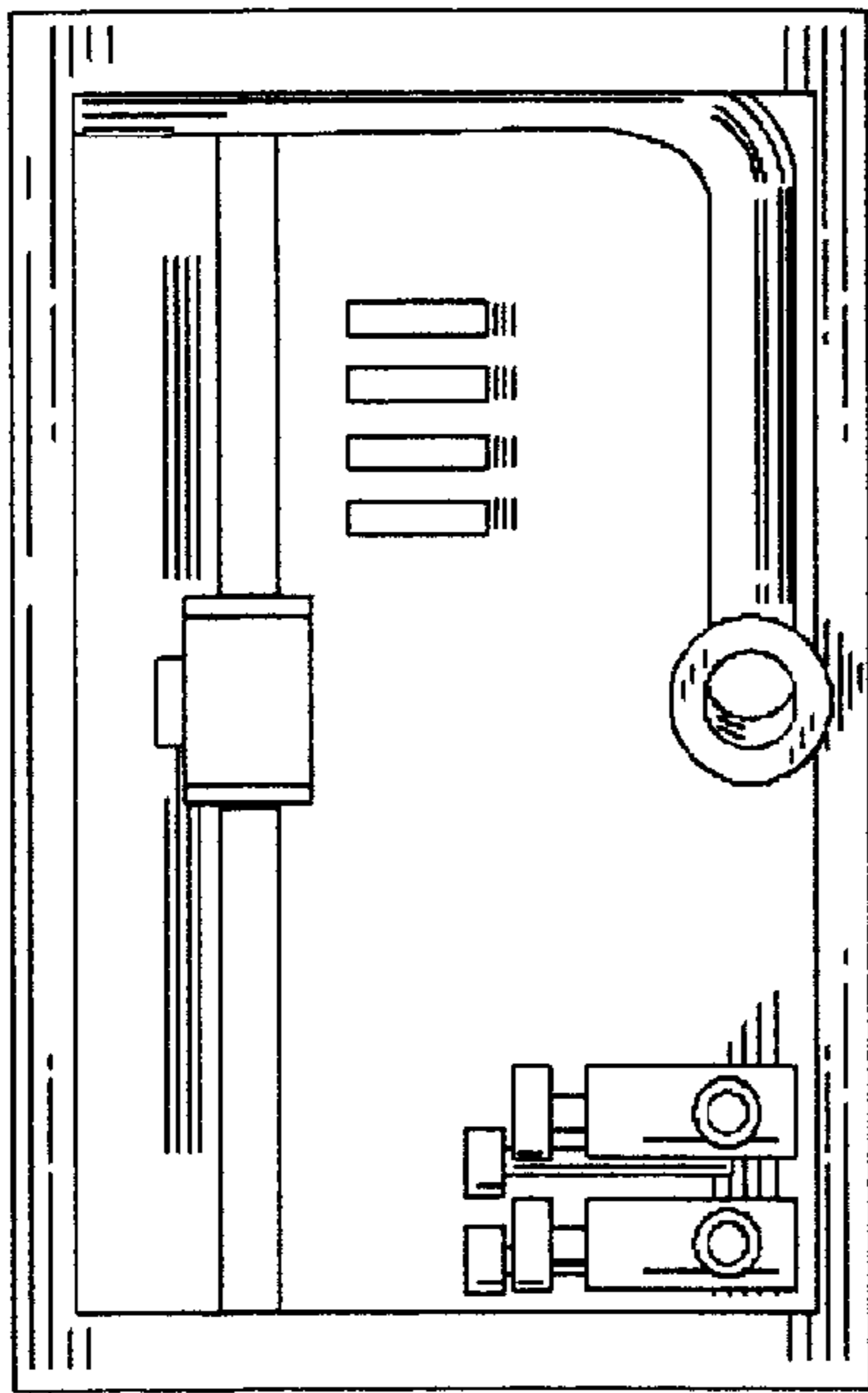


Fig. 6

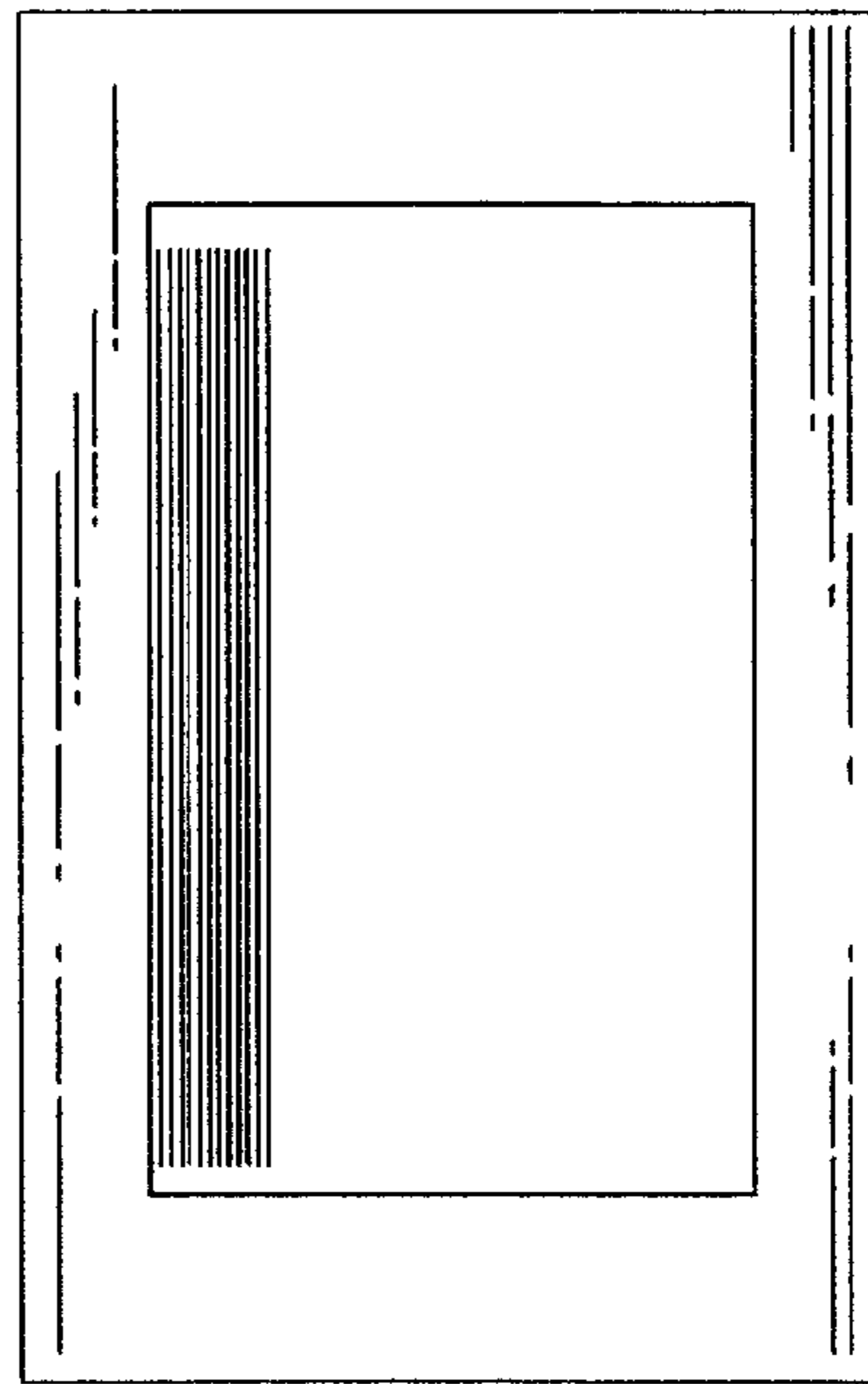


Fig. 7