



US00D437331S

(12) **United States Design Patent**  
**Bernadic et al.**

(10) **Patent No.:** **US D437,331 S**

(45) **Date of Patent:** **\*\* Feb. 6, 2001**

(54) **CUTTING INSERT**

4,606,678 \* 8/1986 Zweekly ..... 407/114  
4,626,140 \* 12/1986 Zweekly et al. .... 407/114  
5,205,680 \* 4/1993 Lindstedt ..... 407/116

(75) Inventors: **Thomas Bernadic**, Madison Hts.;  
**Brendan Brockett**, Dearborn Hts.;  
**Gregory Humphries**, Troy; **John H. Patterson**, Hazel Park, all of MI (US)

\* cited by examiner

(73) Assignee: **Valenite Inc.**, Madison Hts., MI (US)

*Primary Examiner*—Antoine Duval Davis  
(74) *Attorney, Agent, or Firm*—Mary K. Cameron

(\*\*) Term: **14 Years**

(57) **CLAIM**

(21) Appl. No.: **29/119,013**

The ornamental design for a cutting insert, as shown and described.

(22) Filed: **Feb. 22, 2000**

**Related U.S. Application Data**

**DESCRIPTION**

(62) Division of application No. 29/104,597, filed on May 6, 1999, now Pat. No. Des. 428,026.

FIG. 1 is a view of a cutting insert showing our new design; and,

(51) **LOC (7) Cl.** ..... **15-09**

(52) **U.S. Cl.** ..... **D15/139**

FIG. 2 is a top plan view of the insert of FIG. 1.

(58) **Field of Search** ..... D15/139; 407/107-119

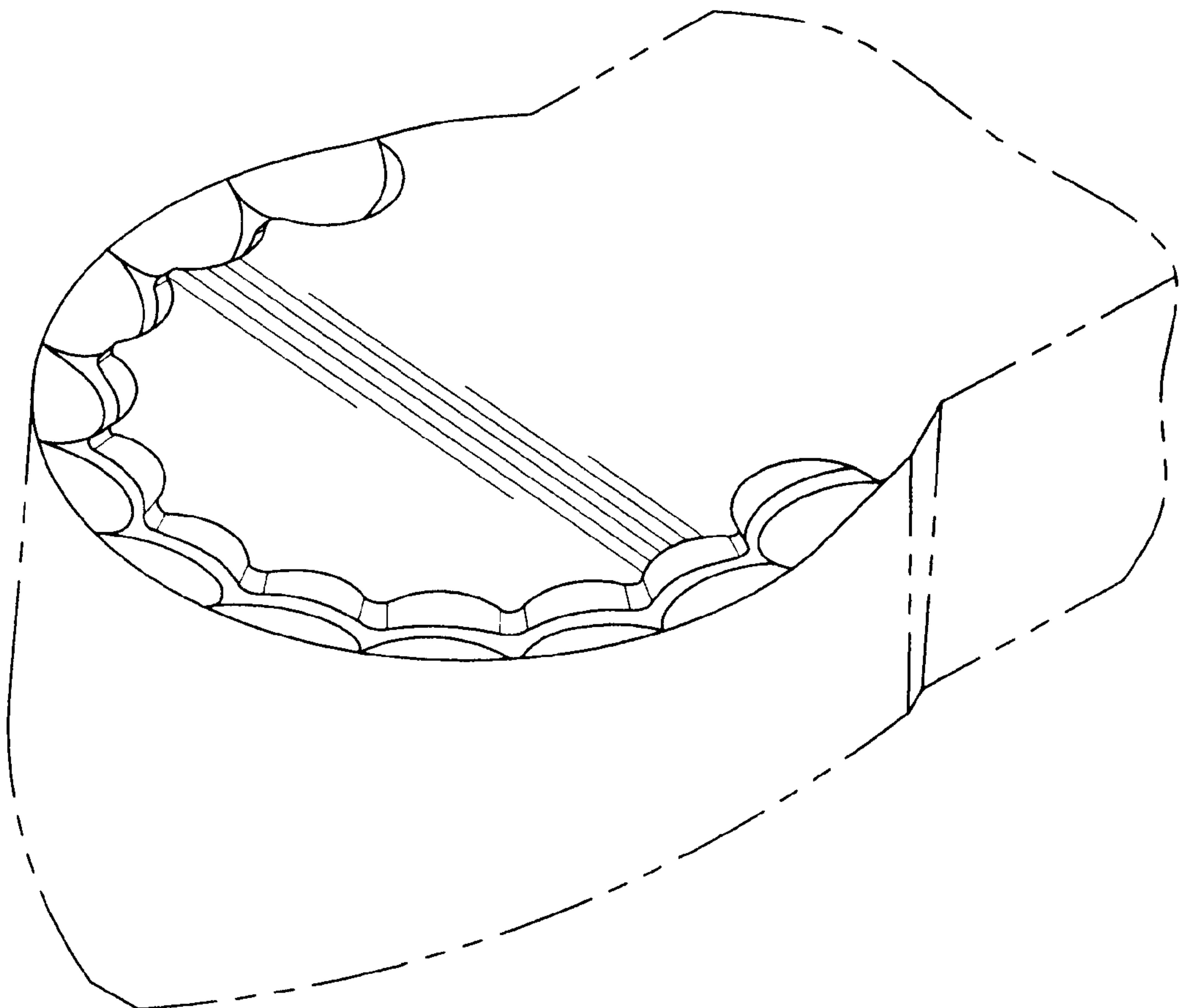
The broken line showing is for illustrative purposes only and forms no part of the claimed design.

(56) **References Cited**

**U.S. PATENT DOCUMENTS**

D. 351,606 \* 10/1994 Markusson et al. .... D15/139

**1 Claim, 1 Drawing Sheet**



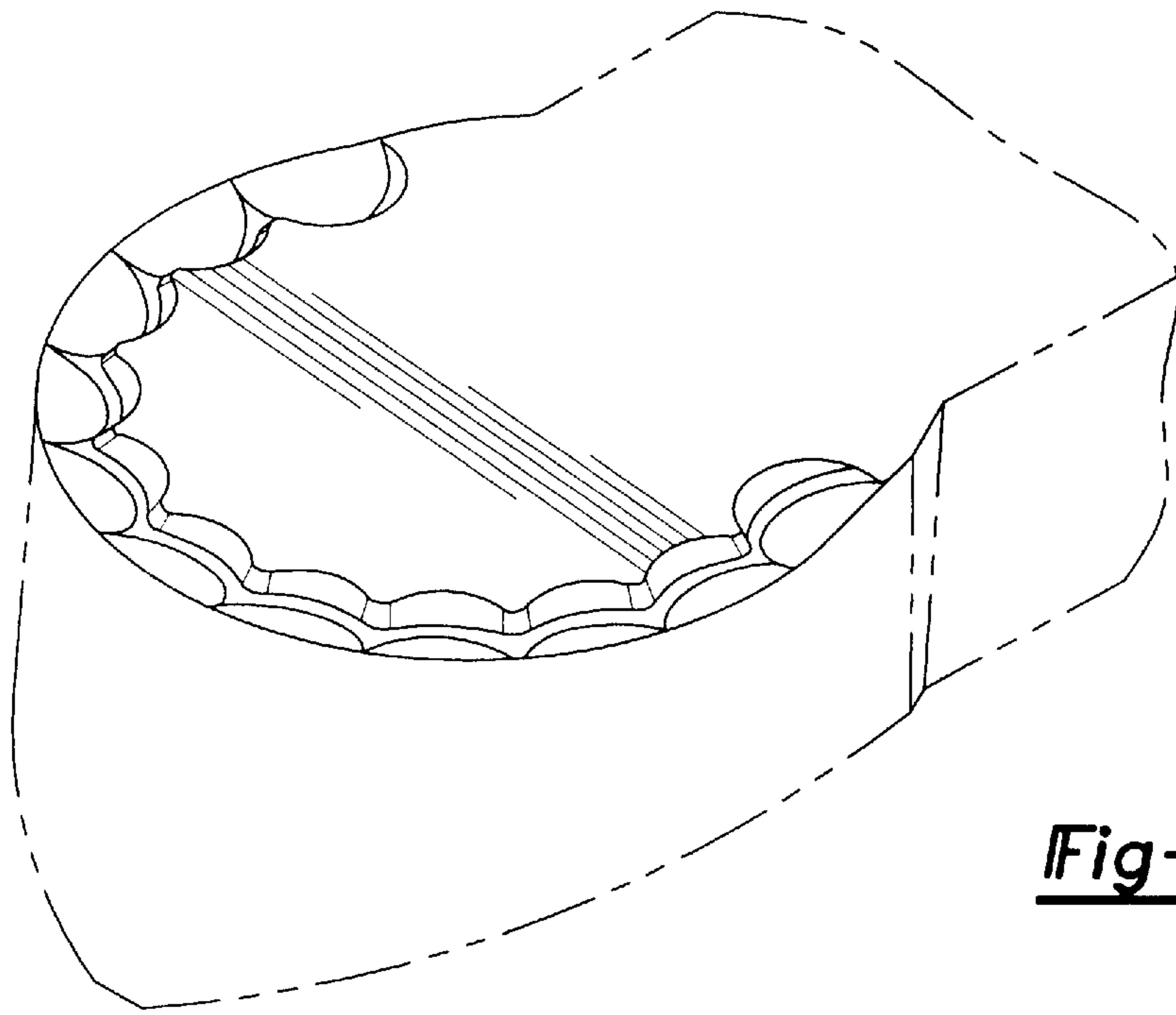


Fig-1

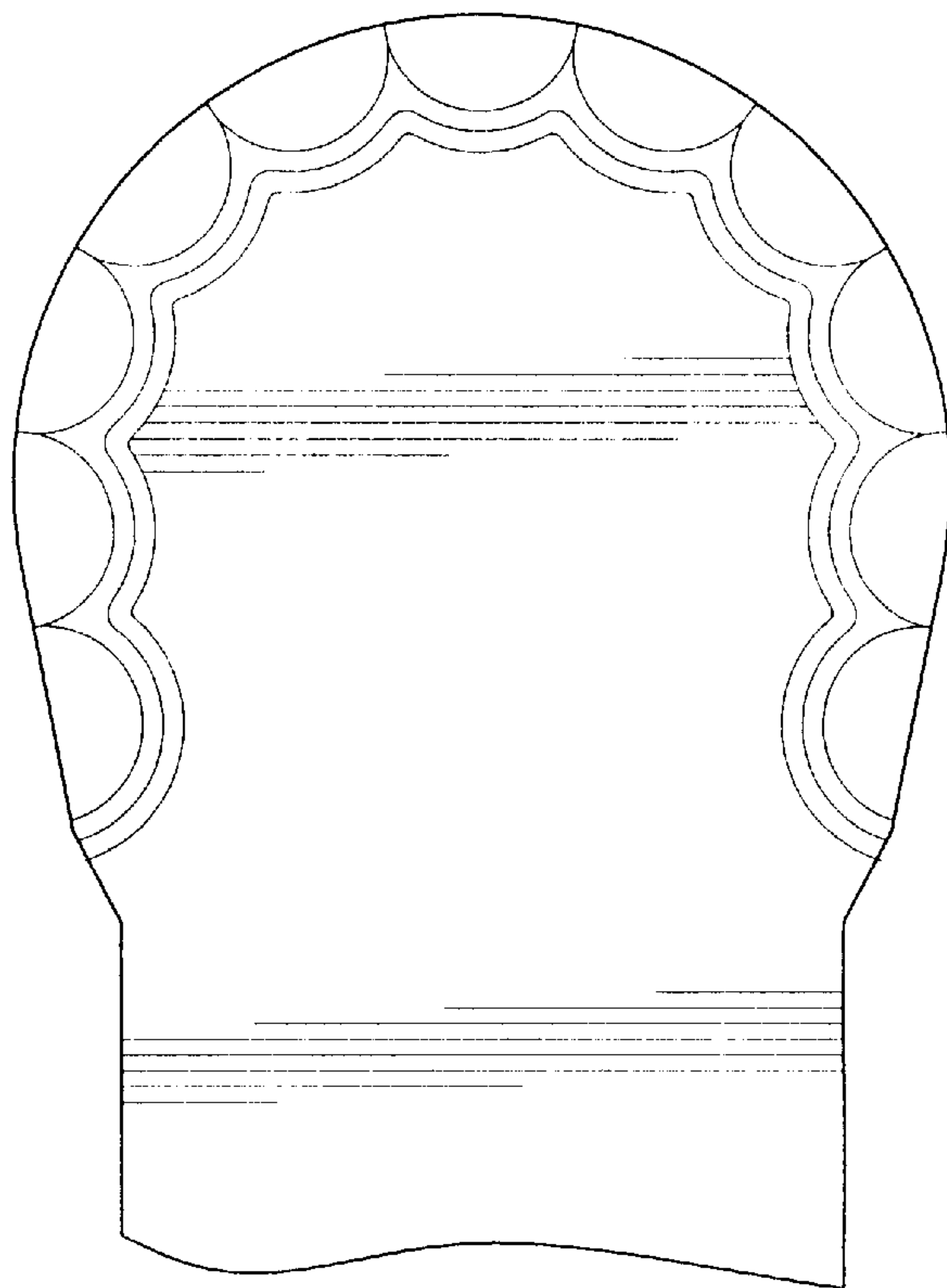


Fig-2