



US00D437329S

(12) **United States Design Patent**
Kuroki

(10) **Patent No.:** **US D437,329 S**

(45) **Date of Patent:** **** Feb. 6, 2001**

(54) **SEWING MACHINE**

(75) **Inventor:** **Nobuhusa Kuroki, Tokyo (JP)**

(73) **Assignee:** **Janome Sewing Machine Co., Ltd,**
Tokyo (JP)

(**) **Term:** **14 Years**

(21) **Appl. No.:** **29/103,017**

(22) **Filed:** **Apr. 6, 1999**

(51) **LOC (7) Cl.** **15-06**

(52) **U.S. Cl.** **D15/69**

(58) **Field of Search** **D15/66-72; 112/217.1-217.4,**
112/256-261

(56) **References Cited**

U.S. PATENT DOCUMENTS

D. 247,901	*	5/1978	Fresard	D15/70
D. 300,543	*	4/1989	Yoneda	D15/70
D. 359,965		7/1995	Nakajima et al.	D15/69
D. 390,852	*	2/1998	McLinden et al.	D15/69

OTHER PUBLICATIONS

Singer Tiny Tailor sewing machine brochure.*
W. Bell and Co. 1986 Catalog, p. 40. Singer Basic Sewing
Machine, #5.*

Evans 1989-90 Catalog, p. 223. Brother Deluxe Light-
weight Free-Arm Sewing Machine.*

* cited by examiner

Primary Examiner—Sandra L. Morris

(74) *Attorney, Agent, or Firm*—Lowe Hauptman Gopstein
Gilman & Berner

(57) **CLAIM**

The ornamental design for a sewing machine, as shown and
described herein.

DESCRIPTION

FIG. 1 is a perspective view of a sewing machine showing
my design;

FIG. 2 is a front elevational view thereof;

FIG. 3 is a rear elevational view thereof;

FIG. 4 is a top plan view thereof;

FIG. 5 is a bottom plan view thereof;

FIG. 6 is a left side elevational view thereof; and,

FIG. 7 is a right side elevational view thereof.

1 Claim, 6 Drawing Sheets

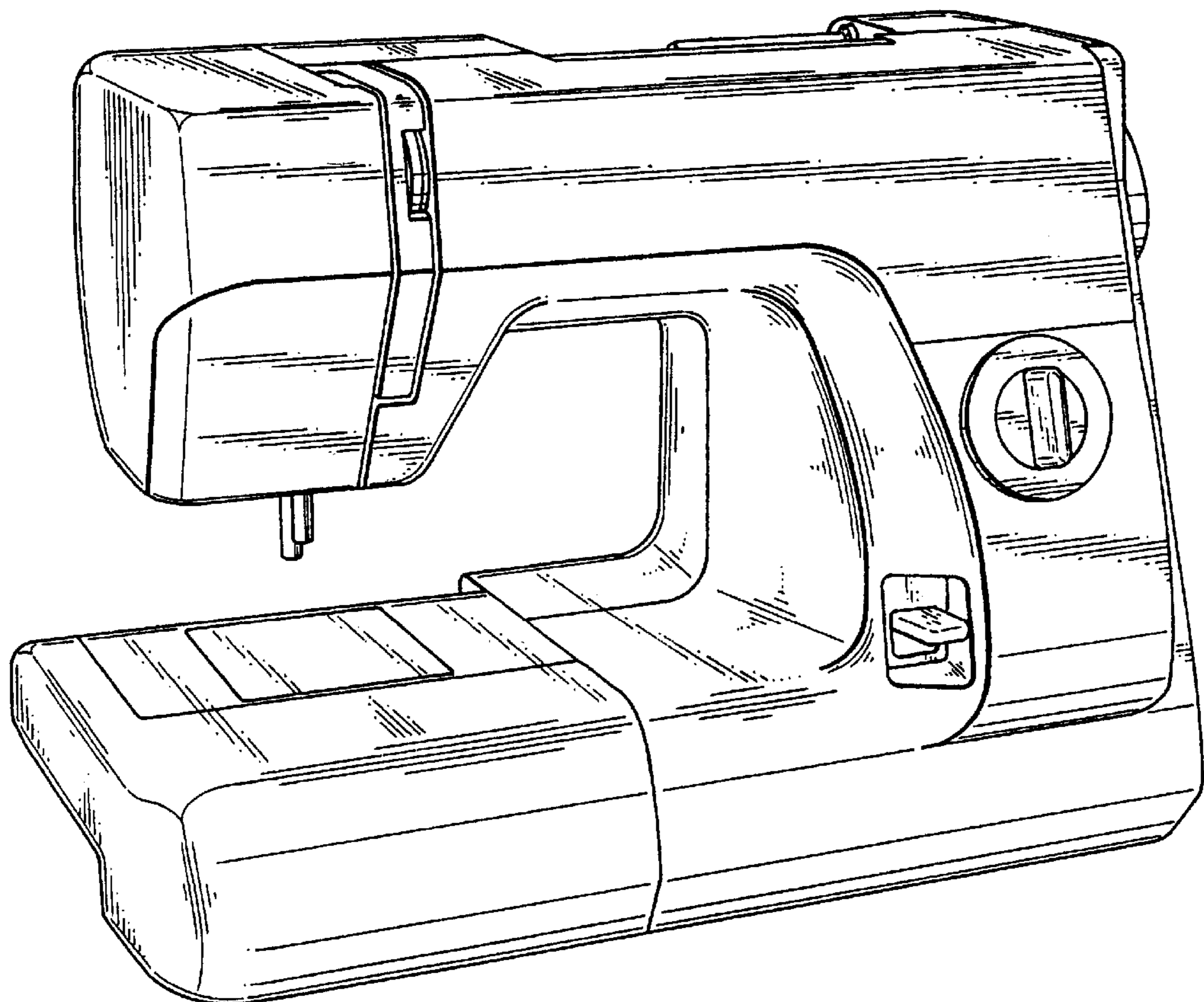


FIG. 1

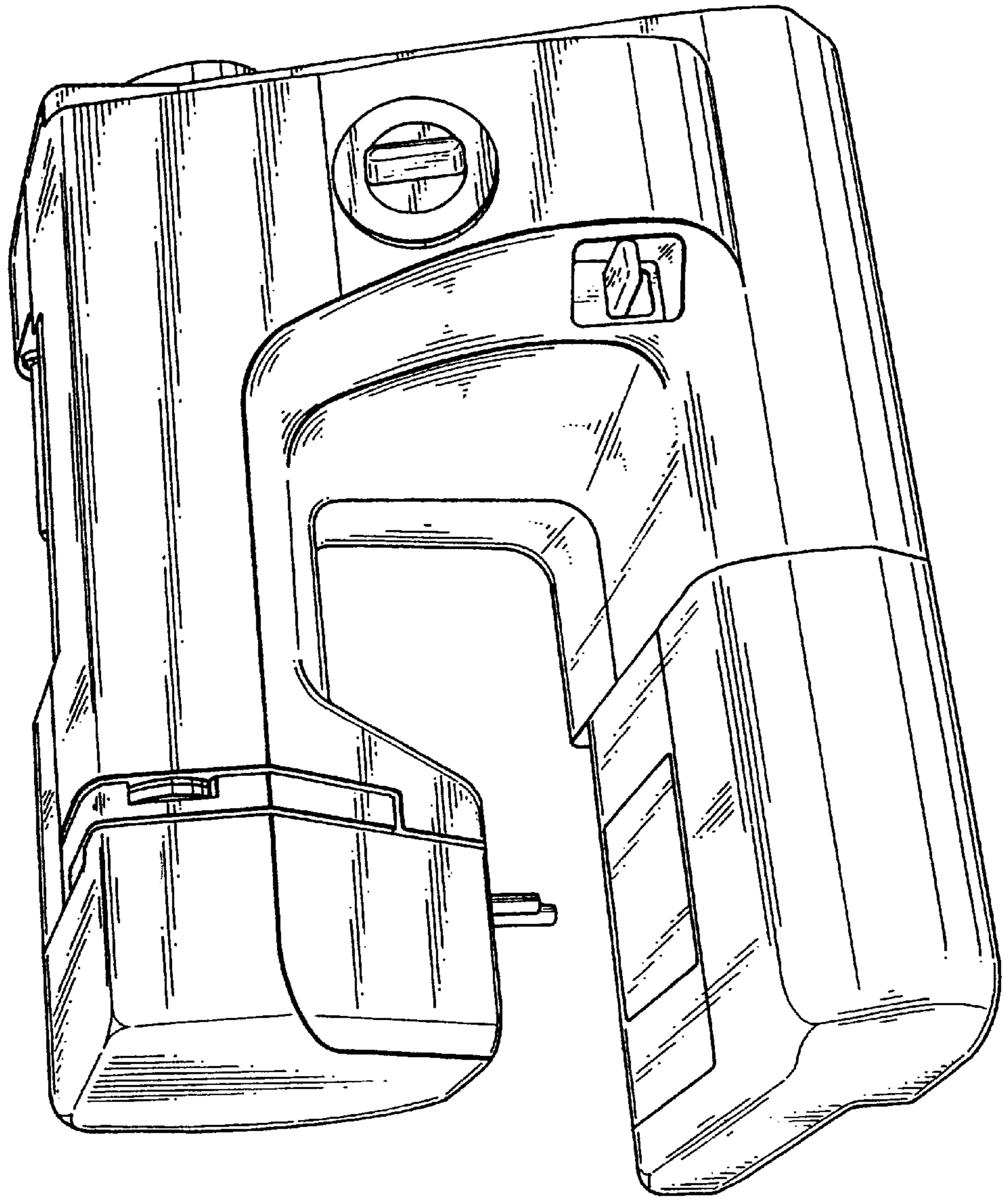


FIG. 2

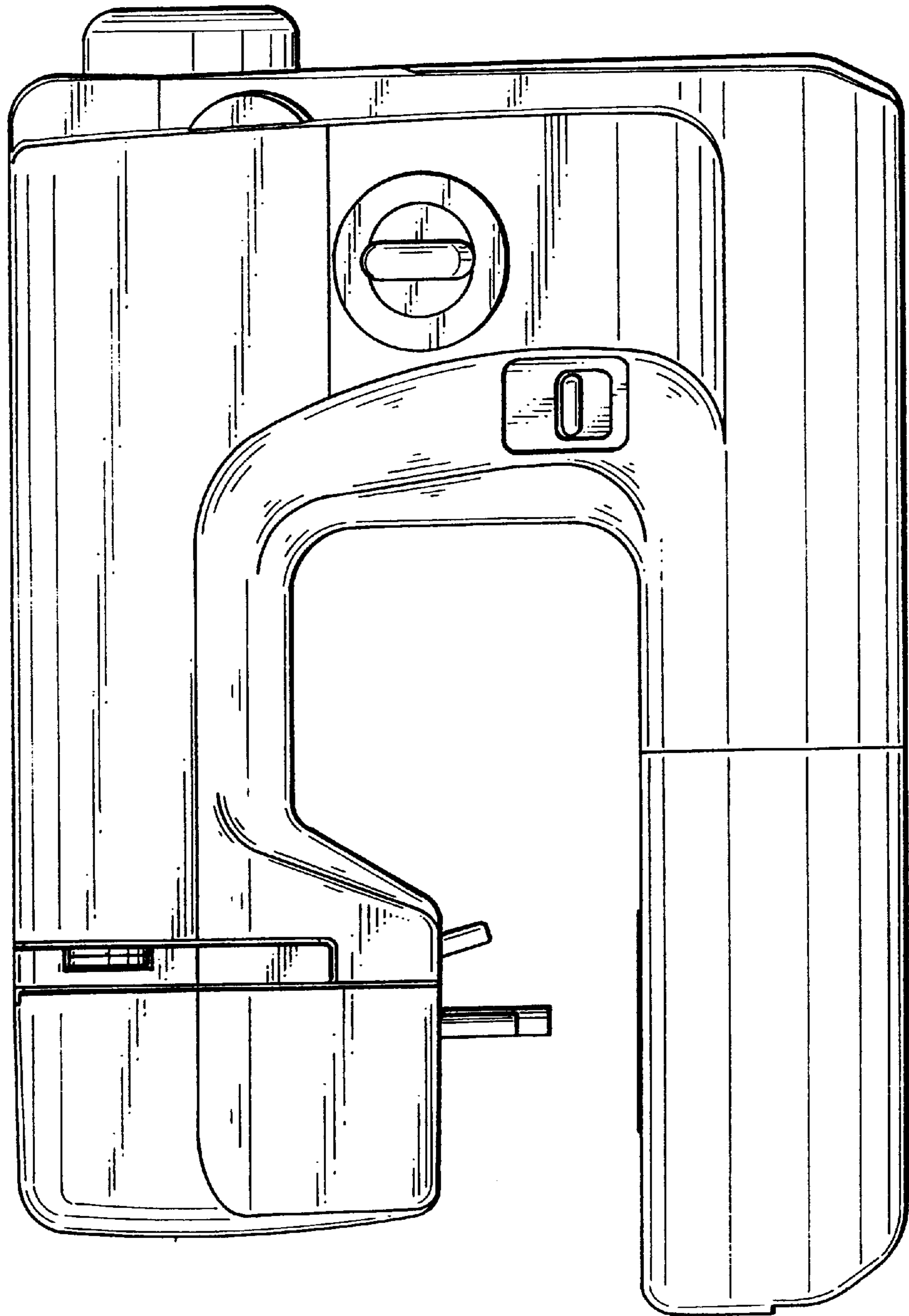


FIG. 3

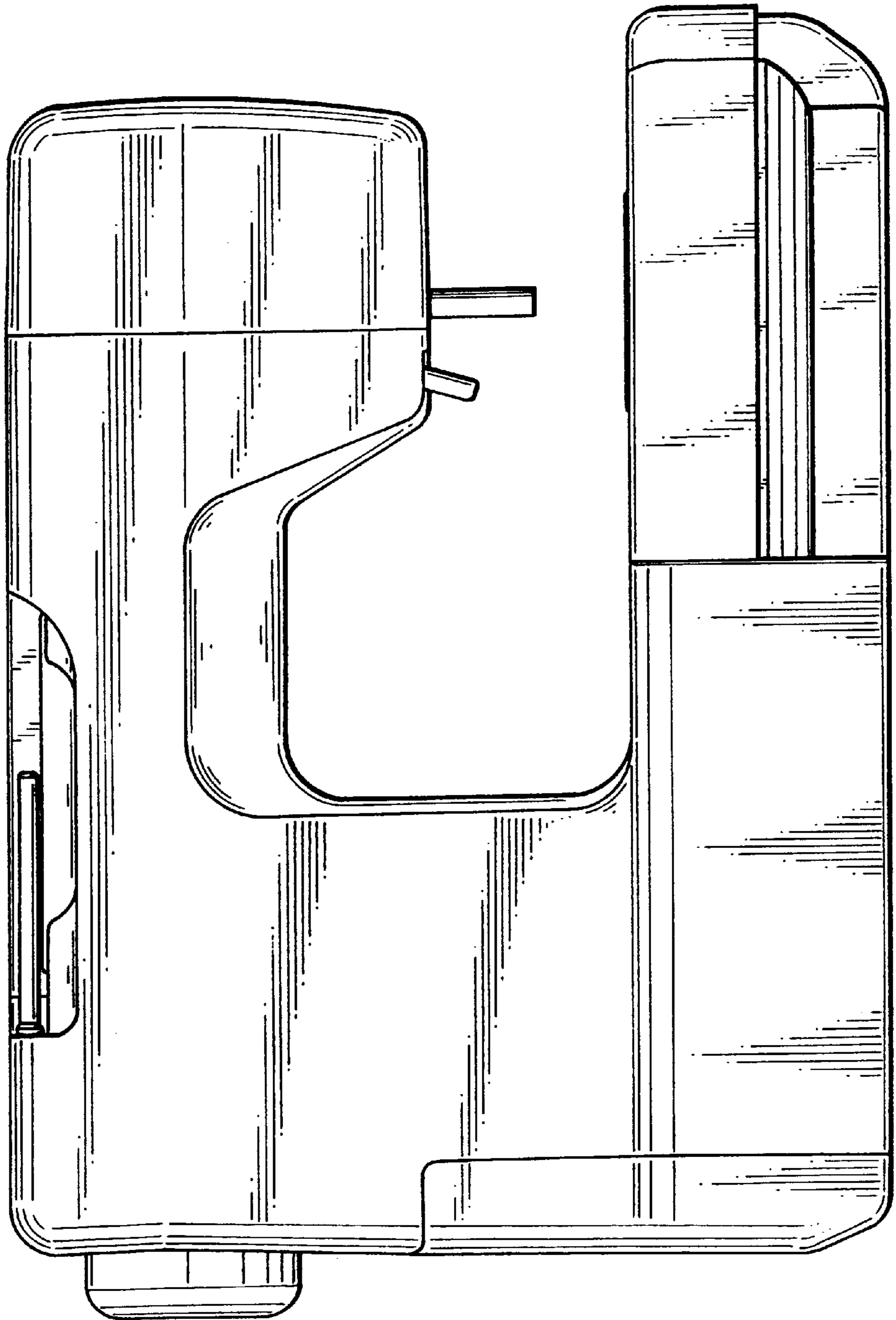


FIG. 4

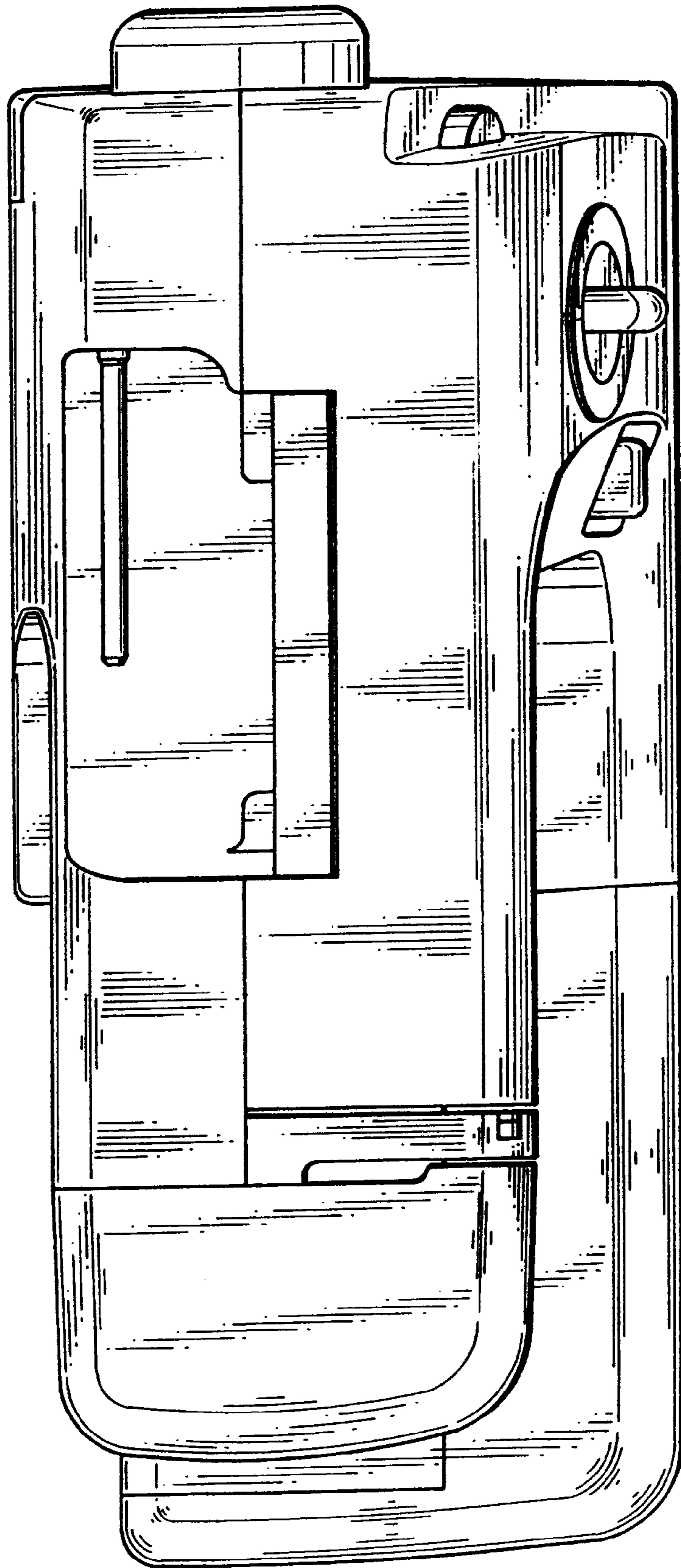


FIG. 5

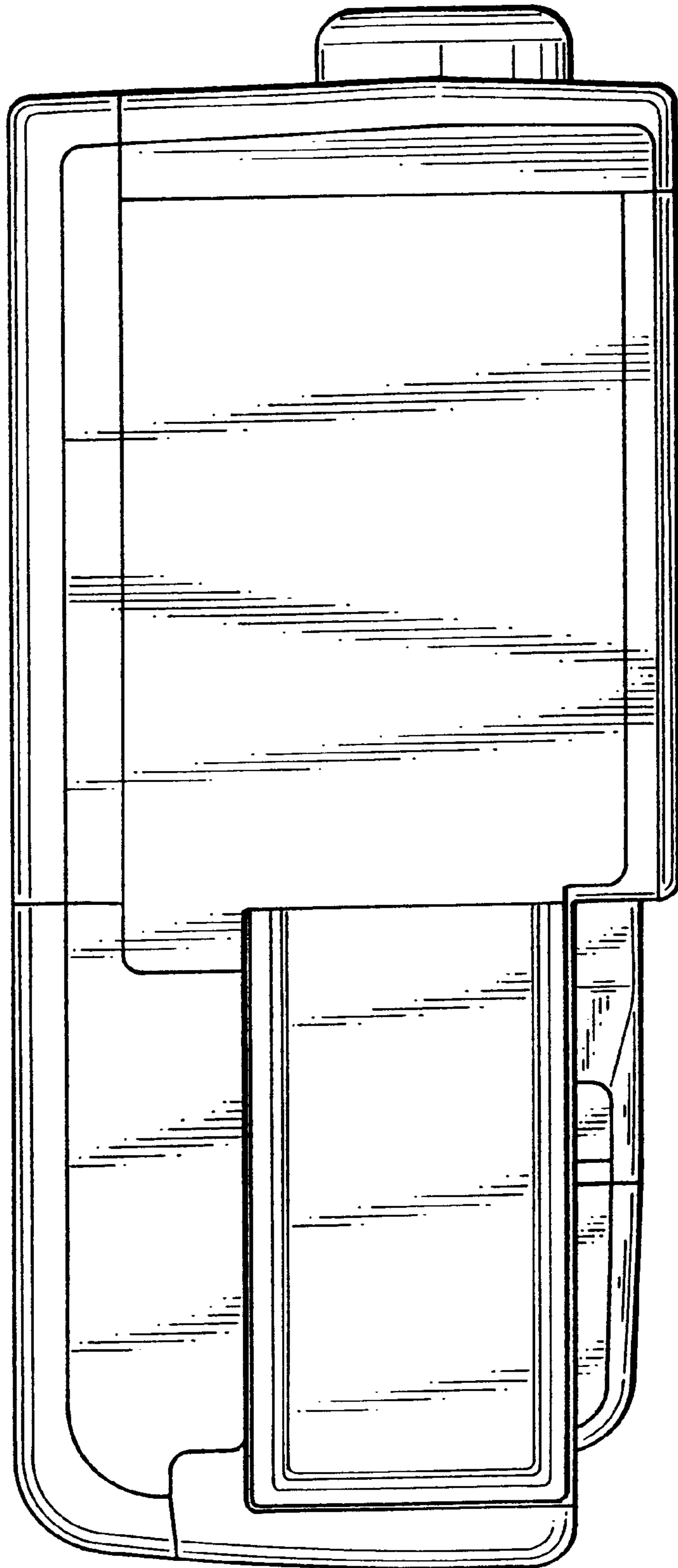


FIG. 7

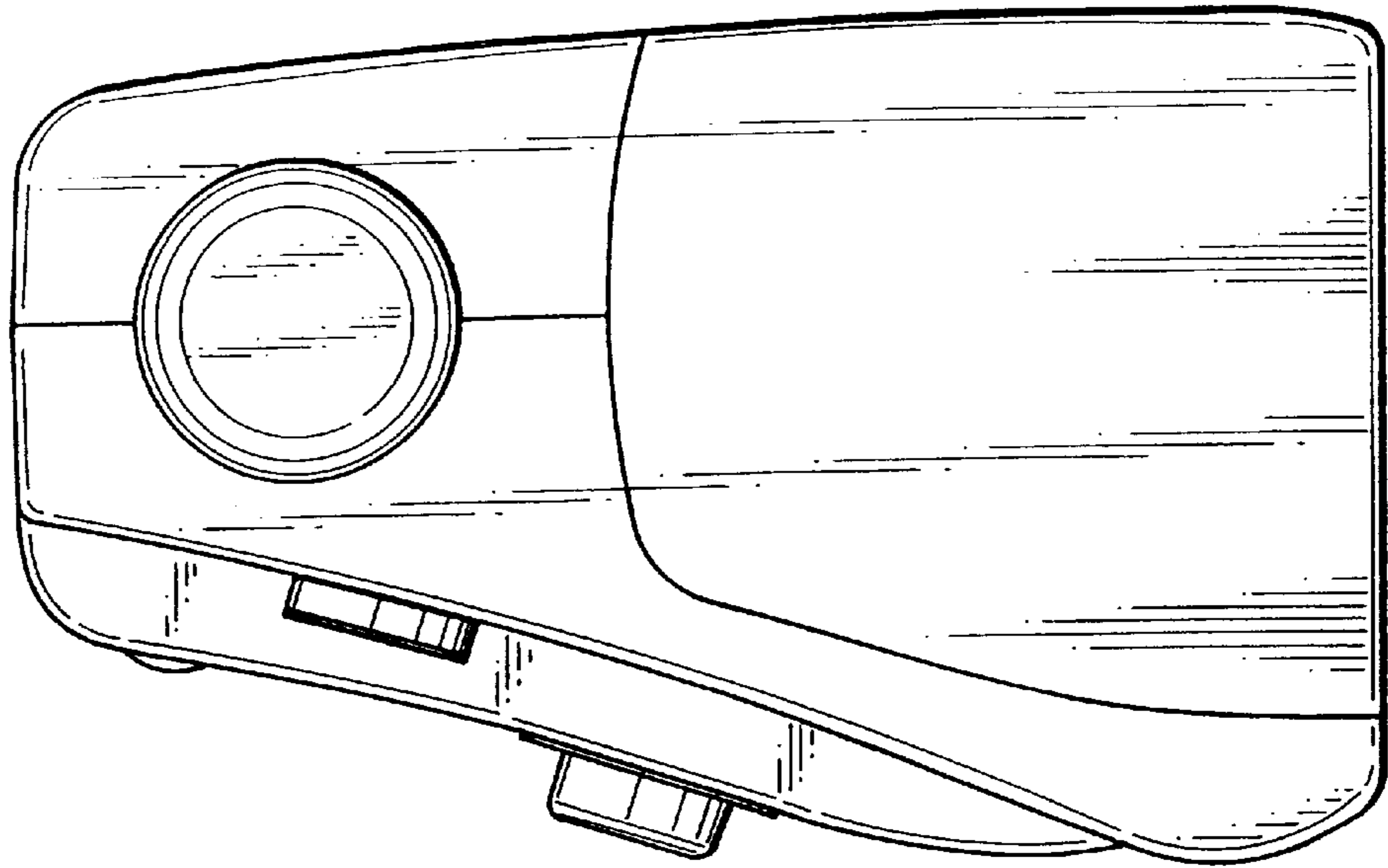


FIG. 6

