



US00D437328S

(12) **United States Design Patent**
Anderson

(10) **Patent No.:** **US D437,328 S**

(45) **Date of Patent:** **** Feb. 6, 2001**

(54) **COMBINED SEED BOOT AND SOIL FIRMING STRAP**

(76) Inventor: **Kevin M. Anderson**, R.R. 2 Box 9, Andover, SD (US) 57422

(**) Term: **14 Years**

(21) Appl. No.: **29/122,386**

(22) Filed: **Apr. 27, 2000**

Related U.S. Application Data

(62) Division of application No. 29/096,567, filed on Nov. 16, 1998.

(51) **LOC (7) Cl.** **15-03**

(52) **U.S. Cl.** **D15/28**

(58) **Field of Search** D15/10, 27-29; 111/85.86, 150, 197; 172/699, 713, 771

(56) **References Cited**

U.S. PATENT DOCUMENTS

2,659,289	11/1953	Holman .	
3,122,111	2/1964	Taylor .	
3,841,243	10/1974	Tye	111/85
4,373,455	* 2/1983	Friggstad	111/150

4,446,801	*	5/1984	Machnee et al.	111/152
5,025,736		6/1991	Anderson	111/152
5,092,255		3/1992	Long et al.	111/167
5,425,318		6/1995	Keeton	111/197
5,640,915		6/1997	Schaffert	111/150
5,673,638		10/1997	Keeton	111/167
5,983,813	*	11/1999	Swab et al.	111/150

* cited by examiner

Primary Examiner—Sandra L. Morris

(74) *Attorney, Agent, or Firm*—Burd, Bartz & Gutenkauf

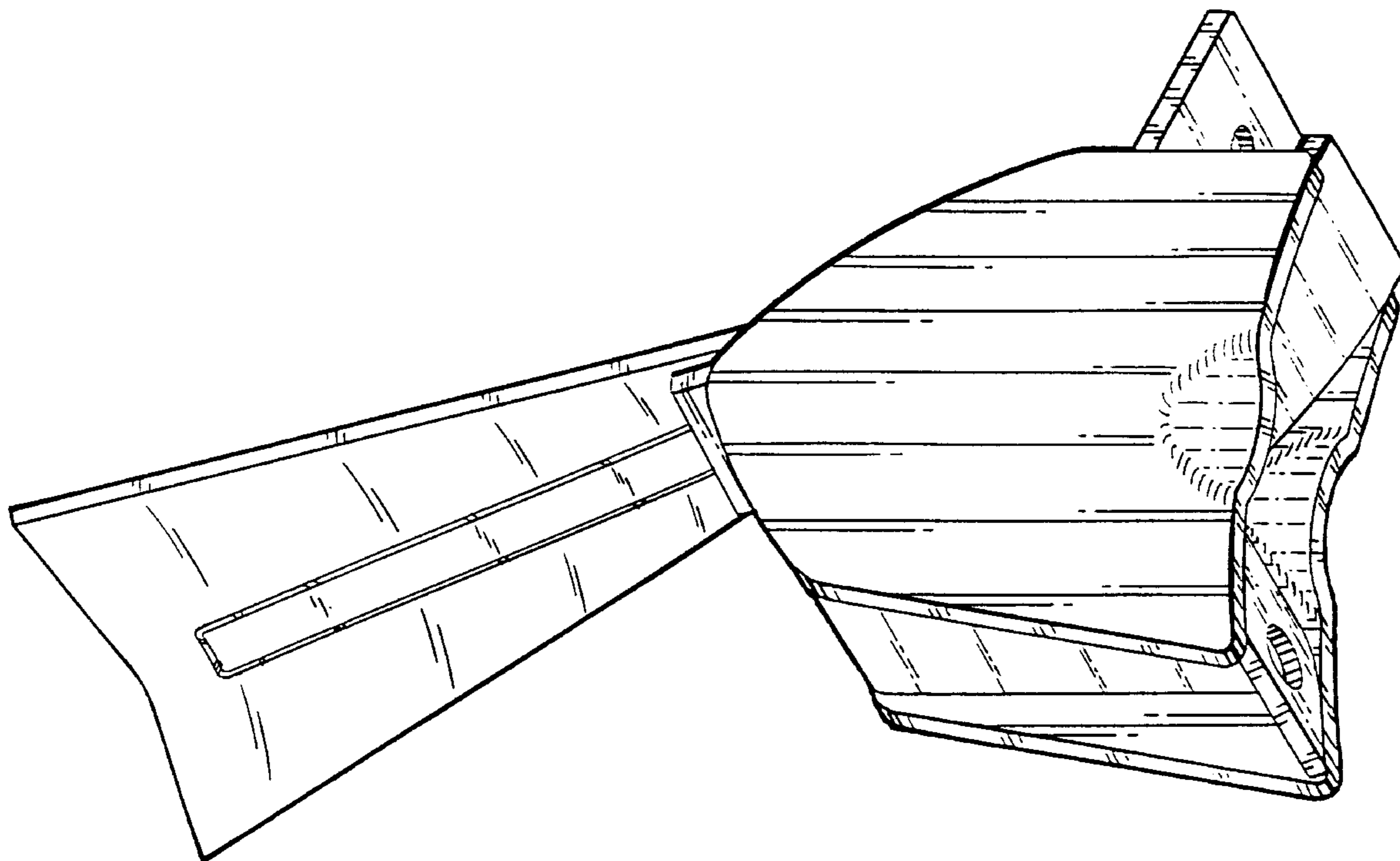
(57) **CLAIM**

The ornamental design for combined seed boot and soil firming strap, as shown and described.

DESCRIPTION

FIG. 1 is a perspective view of the combined seed boot and soil firming strap showing my new design; FIG. 2 is a side elevation view thereof, the opposite side is a mirror image thereof; FIG. 3 is a bottom plan view thereof; FIG. 4 is a top plan view thereof; FIG. 5 is a rear elevational view thereof; and, FIG. 6 is a front elevational view thereof.

1 Claim, 4 Drawing Sheets



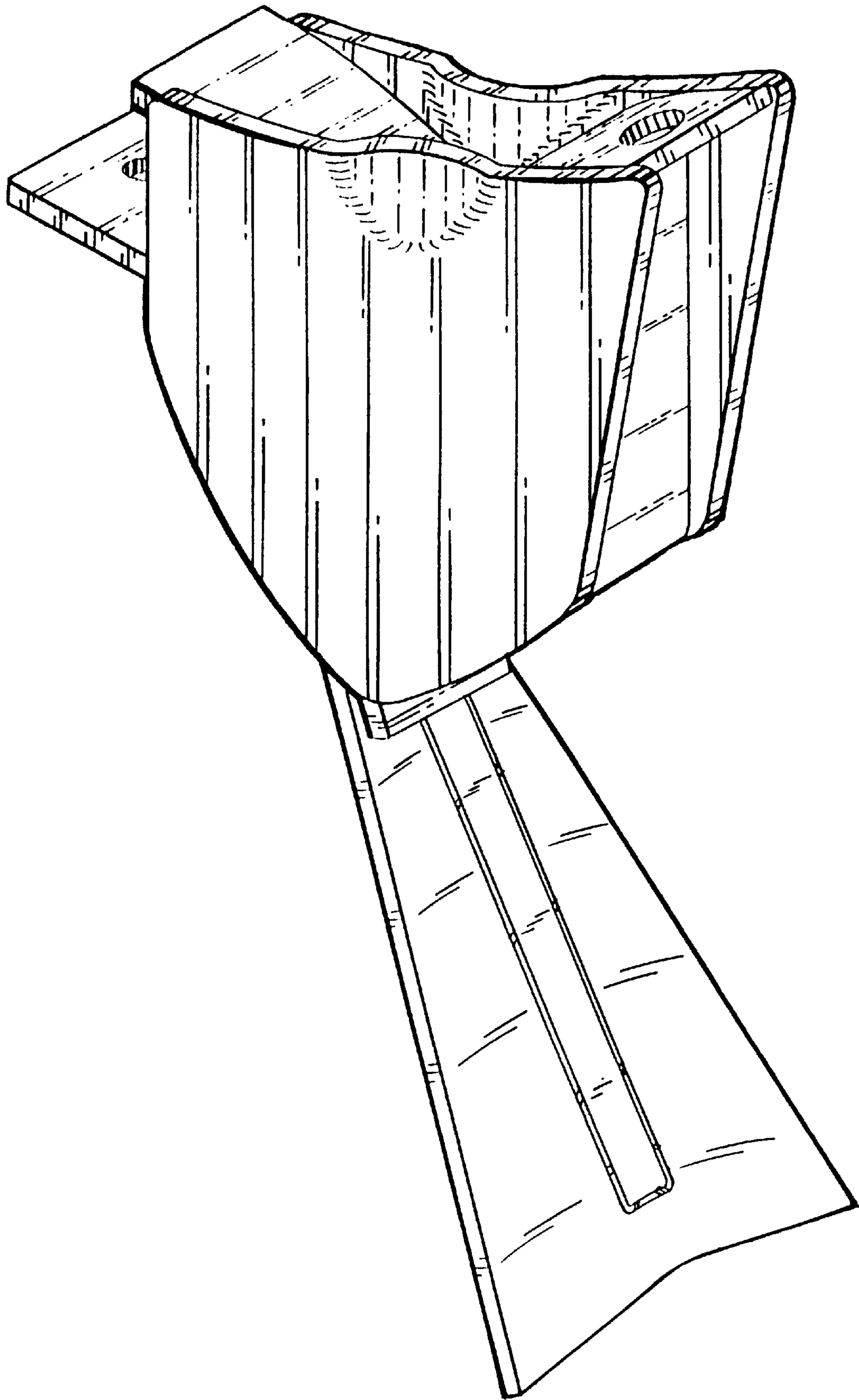


FIG. 1

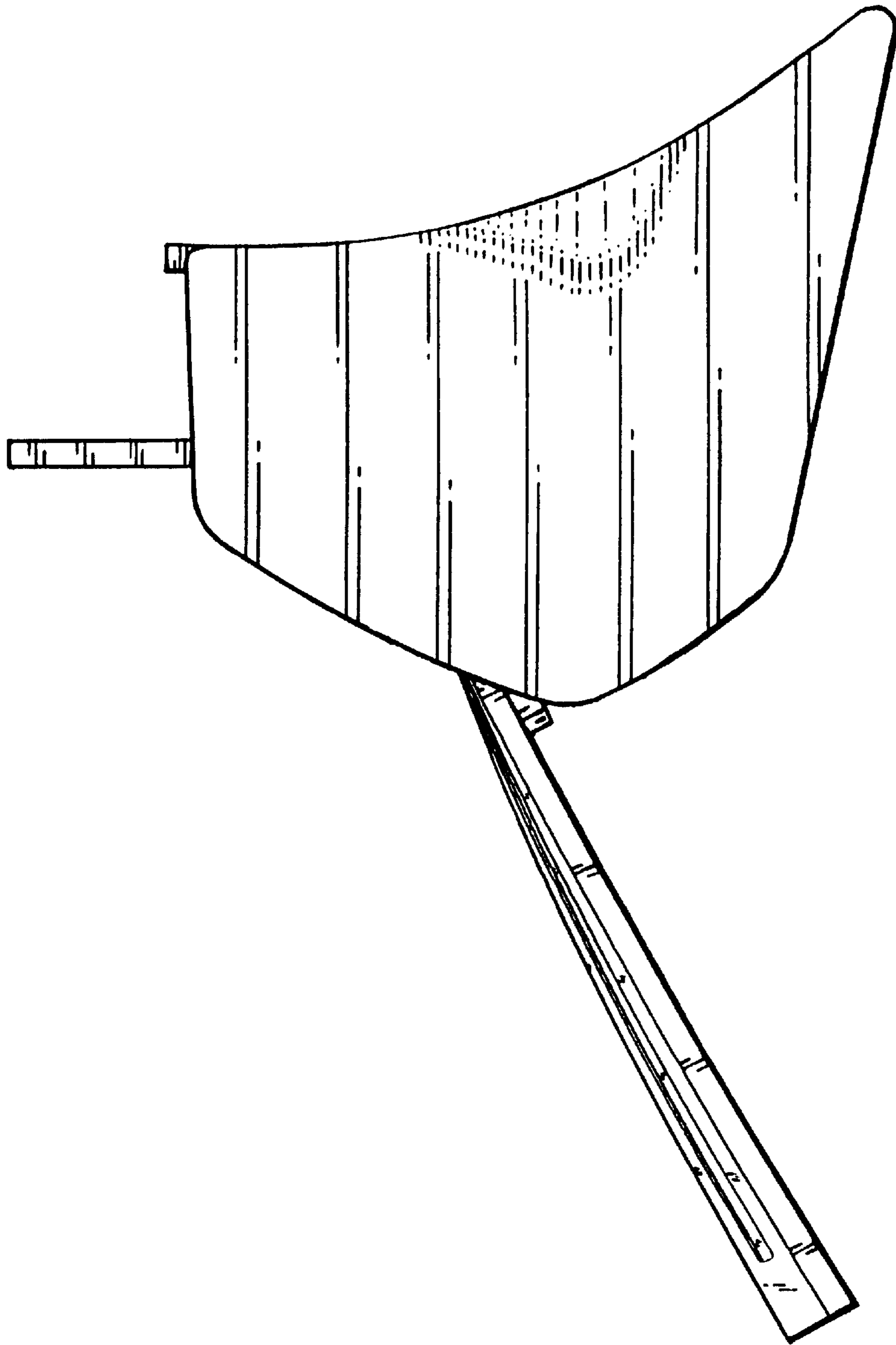


FIG. 2

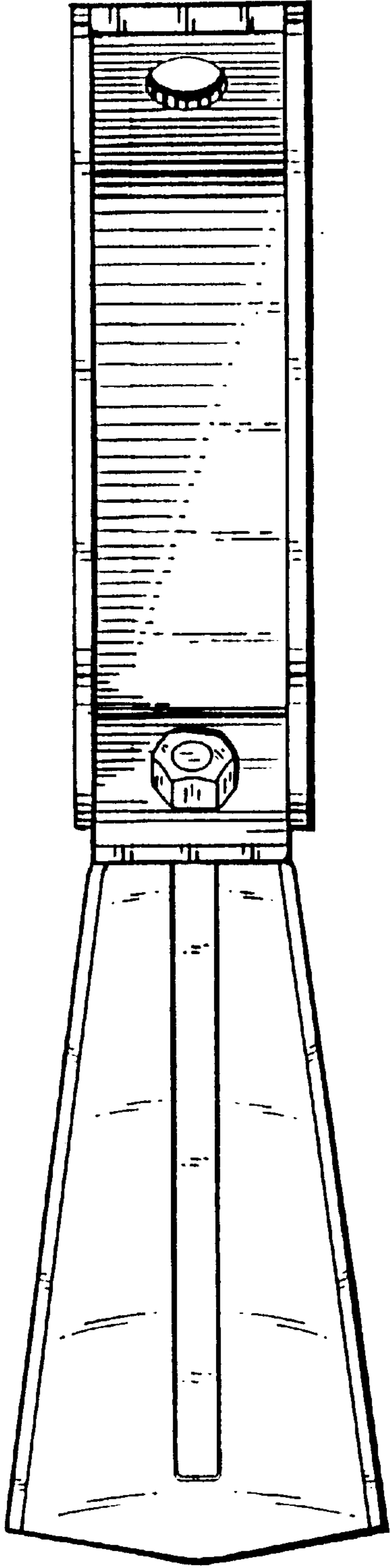


FIG. 3

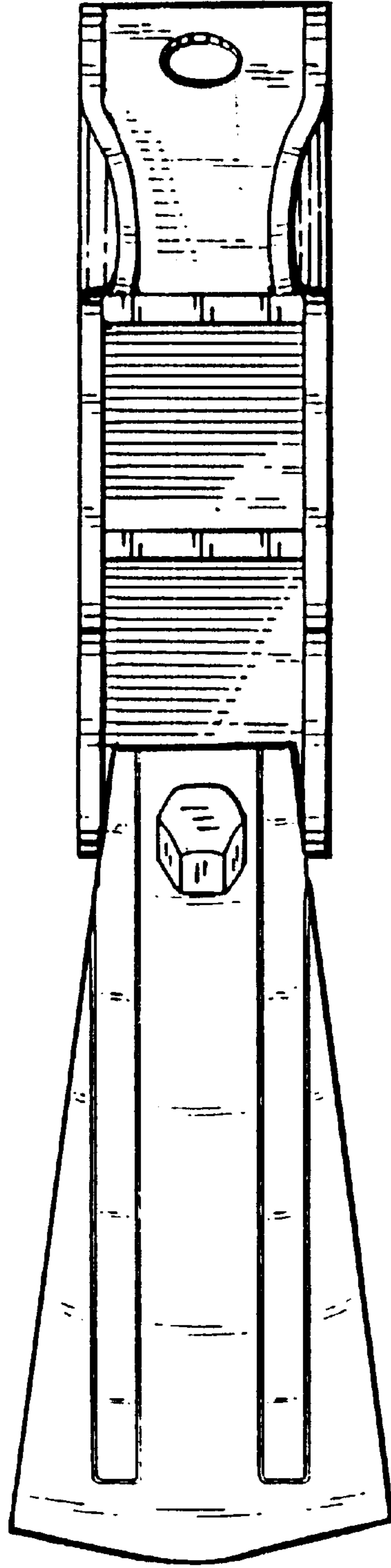


FIG. 4

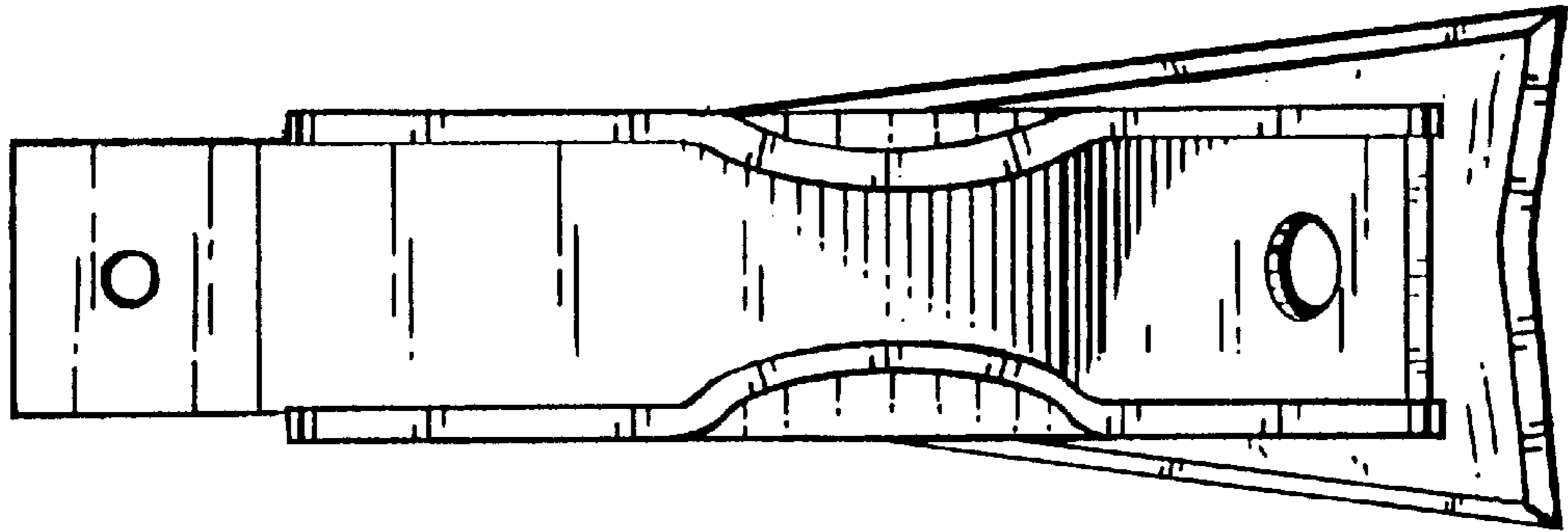


FIG. 6

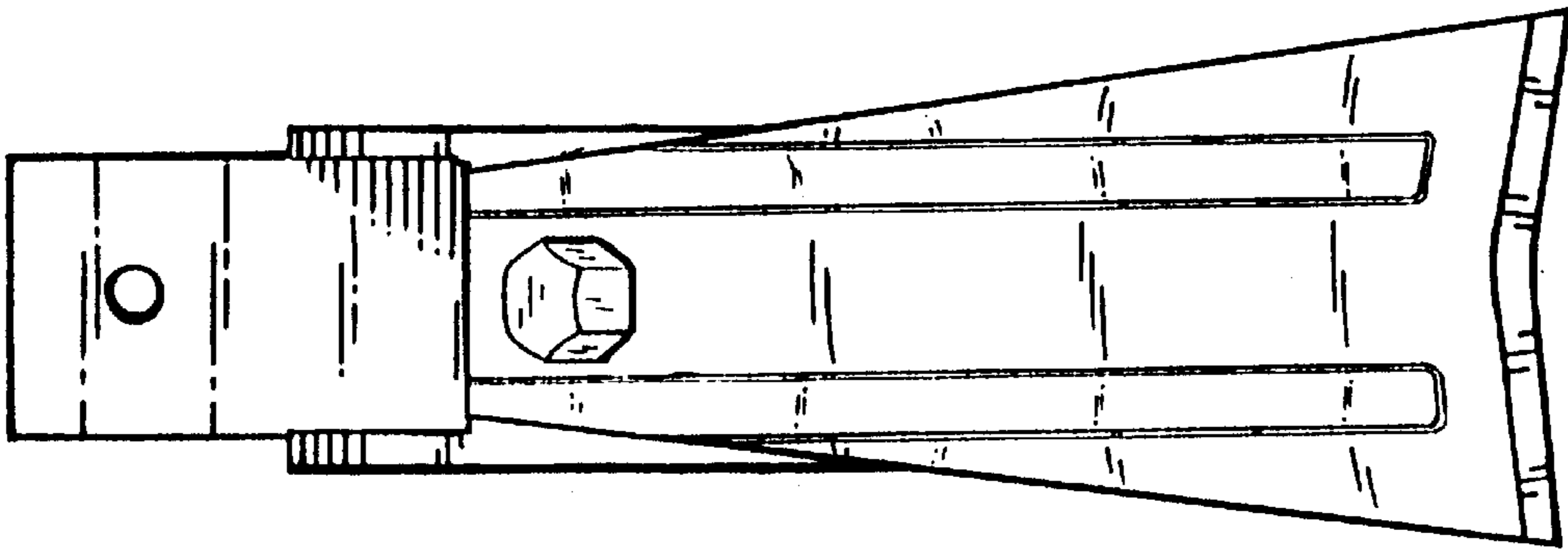


FIG. 5