



US00D437326S

(12) **United States Design Patent**  
**Koberlein et al.**

(10) **Patent No.:** **US D437,326 S**

(45) **Date of Patent:** **\*\* Feb. 6, 2001**

(54) **SINGLE GANG DISC**

(75) Inventors: **Ross Koberlein**, Fayette County;  
**Thomas I. Burenga**, Montgomery  
County, both of IL (US)

(73) Assignee: **Worksaver, Inc.**, Litchfield, IL (US)

(\*\*) Term: **14 Years**

(21) Appl. No.: **29/113,871**

(22) Filed: **Nov. 15, 1999**

(51) **LOC (7) Cl.** ..... **15-03**

(52) **U.S. Cl.** ..... **D15/11; D15/27**

(58) **Field of Search** ..... D15/11, 12, 27,  
D15/28; 172/527, 579, 540, 553, 599, 604,  
669, 670, 671, 676; 37/244

(56) **References Cited**

**U.S. PATENT DOCUMENTS**

- D. 134,346 \* 11/1942 Rude .
- D. 181,907 \* 1/1958 Goit .
- D. 188,500 \* 8/1960 Swanson .

- D. 313,603 \* 1/1991 Barena ..... D15/11
- 1,405,086 \* 1/1922 Altbelt .
- 3,129,773 \* 4/1964 Freeman .
- 4,059,161 \* 11/1977 Smith et al. .

\* cited by examiner

*Primary Examiner*—B. J. Bullock

(74) *Attorney, Agent, or Firm*—Paul M. Denk

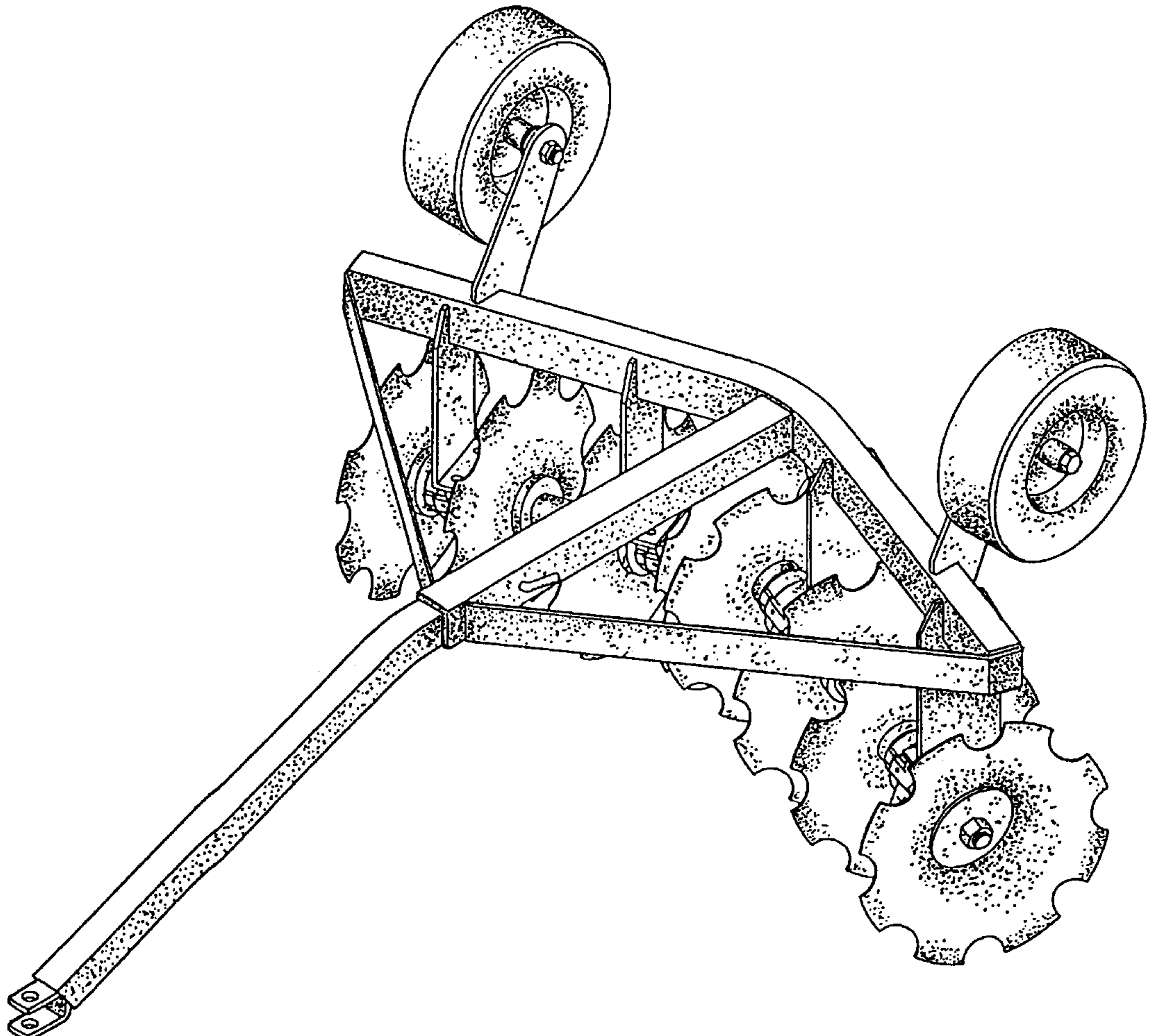
(57) **CLAIM**

The ornamental design for a single gang disc, as shown and described.

**DESCRIPTION**

FIG. 1 is a perspective view of the single gang disc of this invention;  
 FIG. 2 is a top plan view thereof;  
 FIG. 3 is a rear view thereof;  
 FIG. 4 is a rear view thereof, with the single gang disc inverted;  
 FIG. 5 is a bottom plan view thereof; and,  
 FIG. 6 is a right side view, the left side view being a mirror image thereof.

**1 Claim, 3 Drawing Sheets**



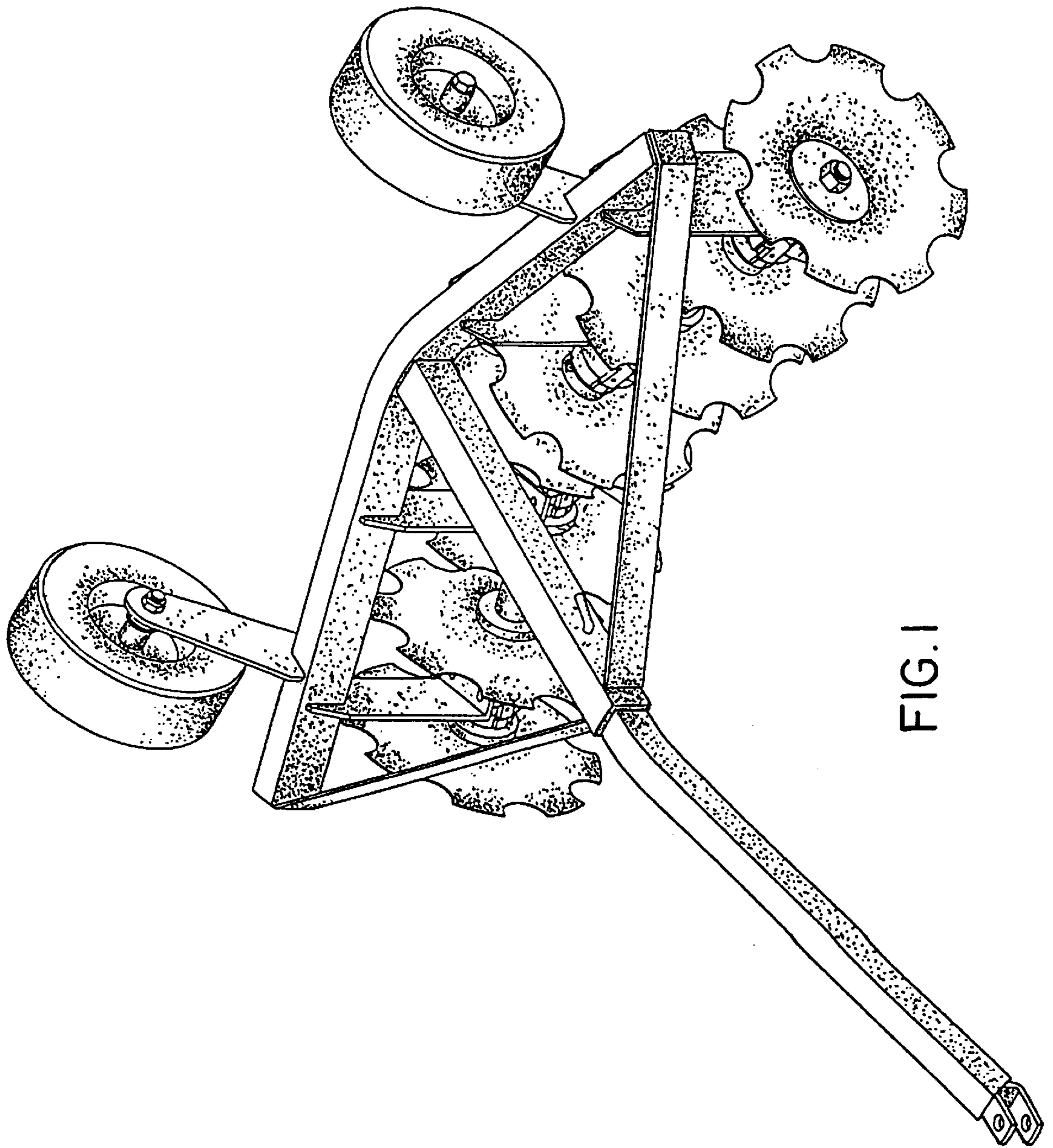


FIG. 1

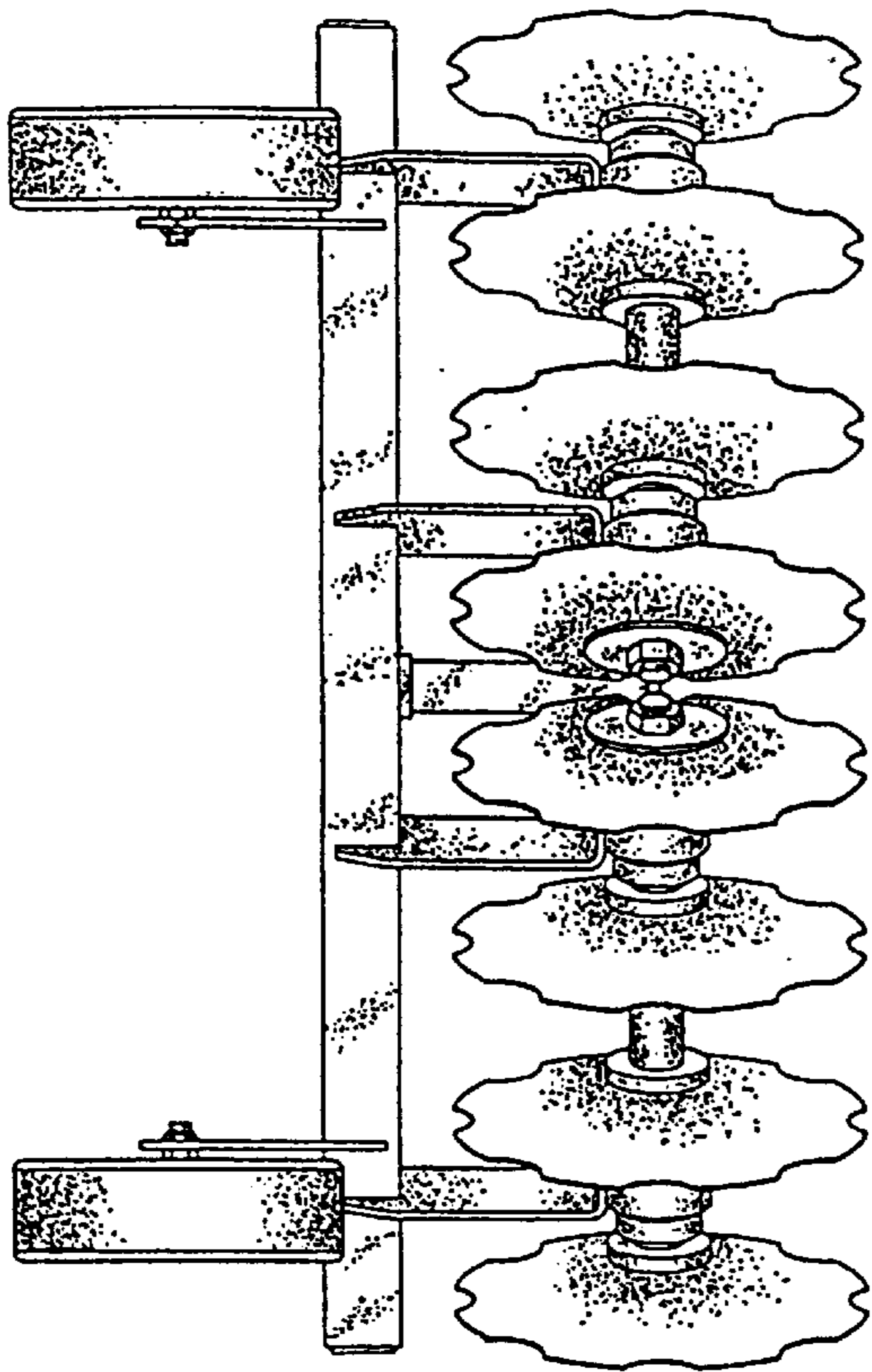


FIG. 3

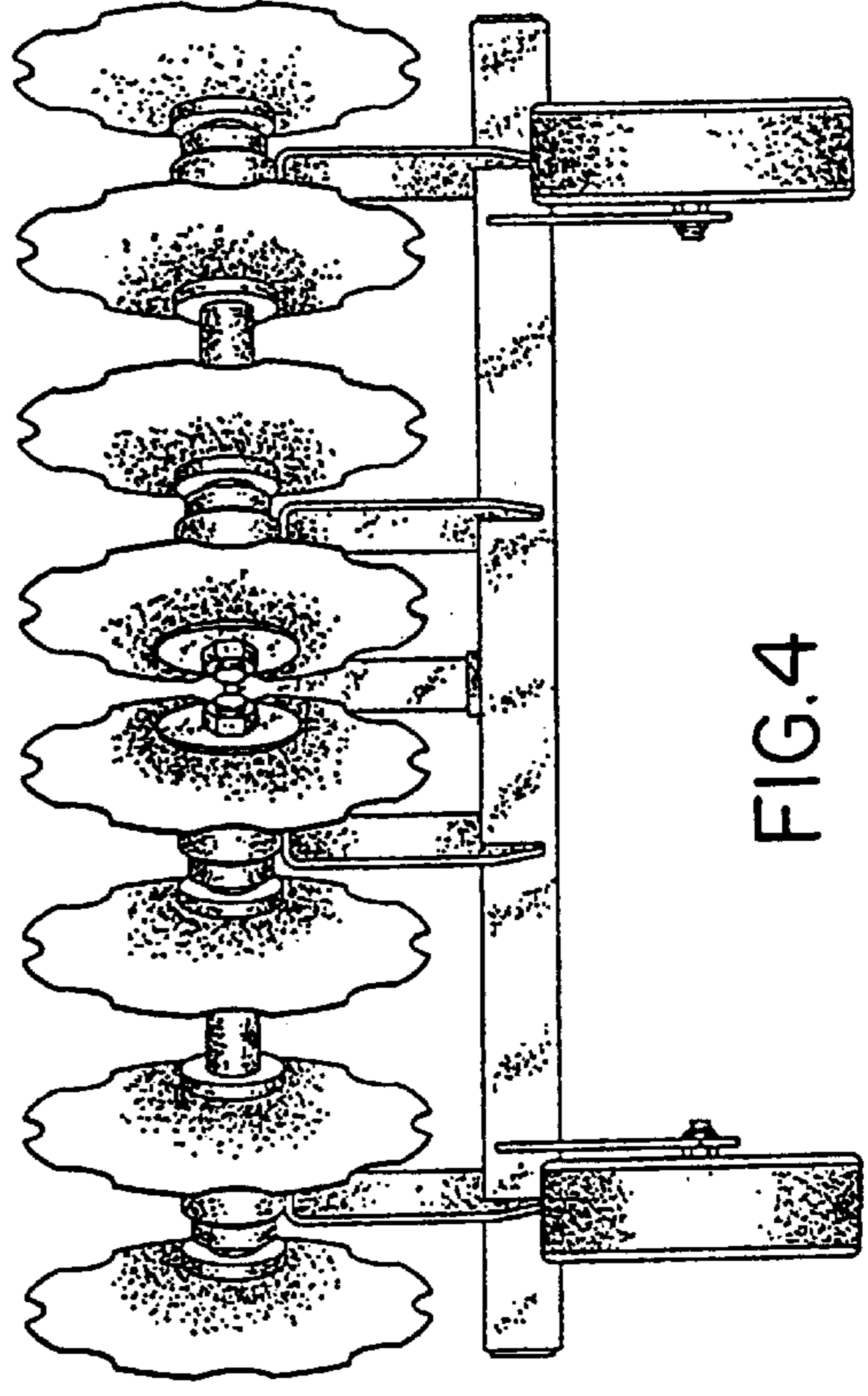


FIG. 4

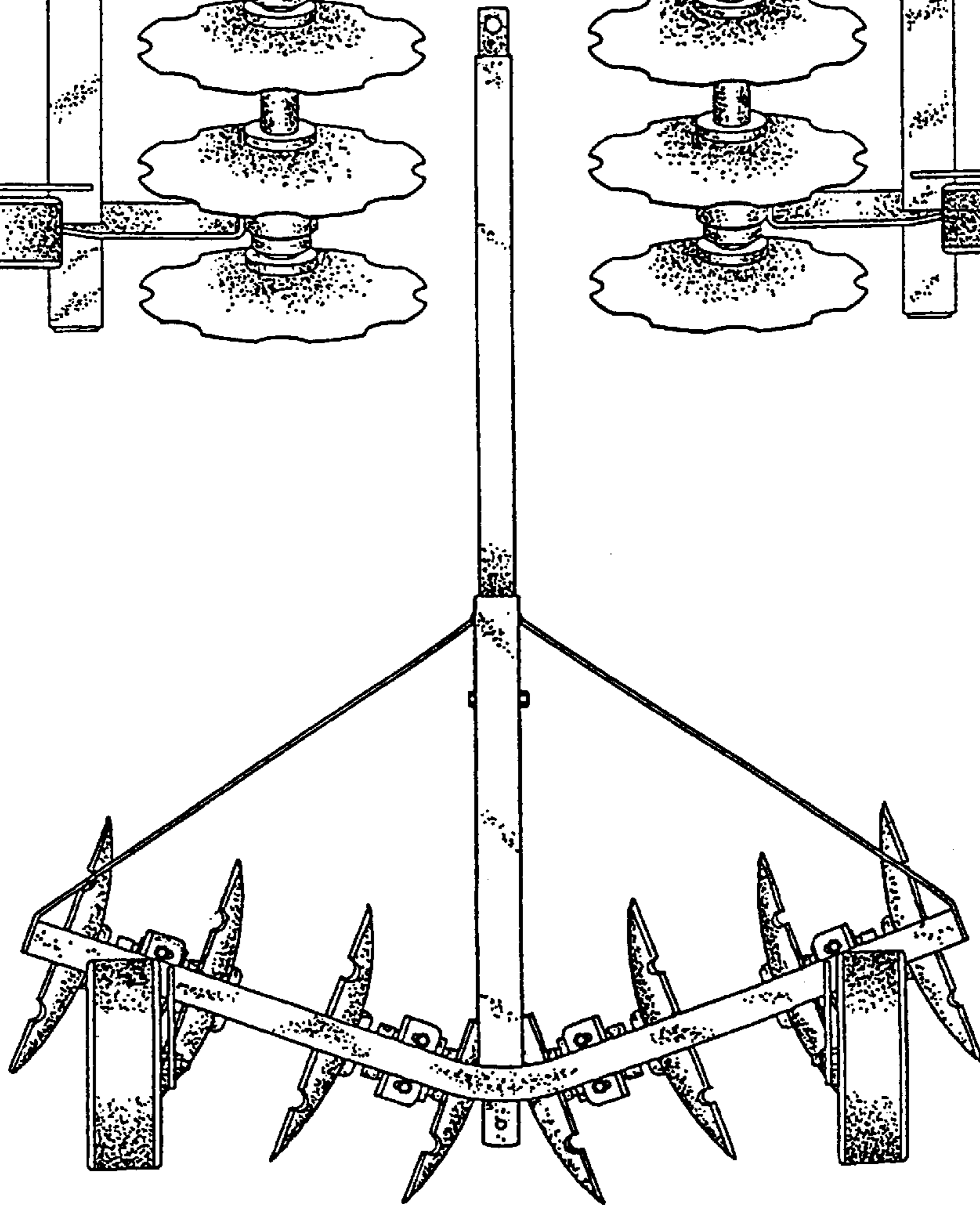


FIG. 2

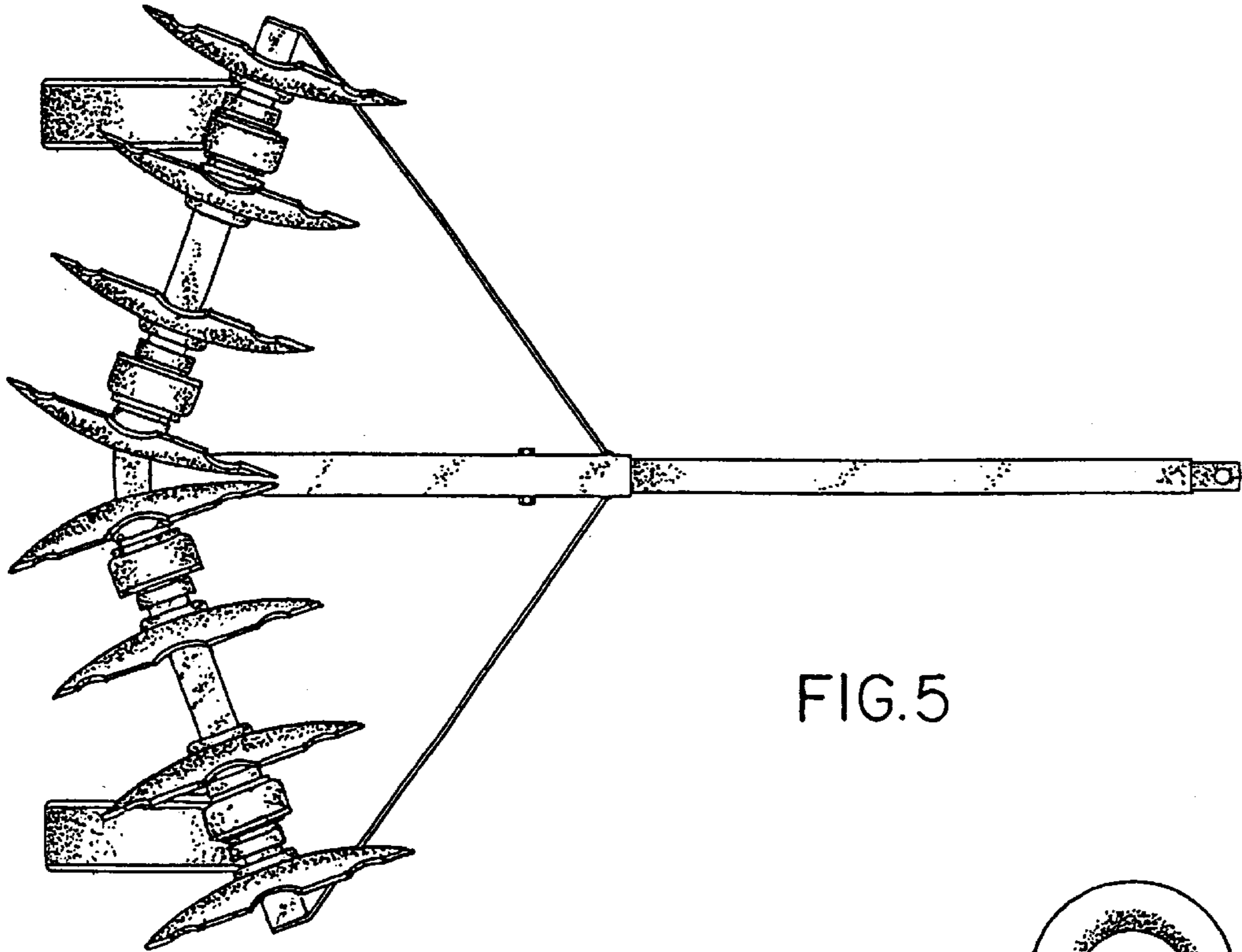


FIG. 5

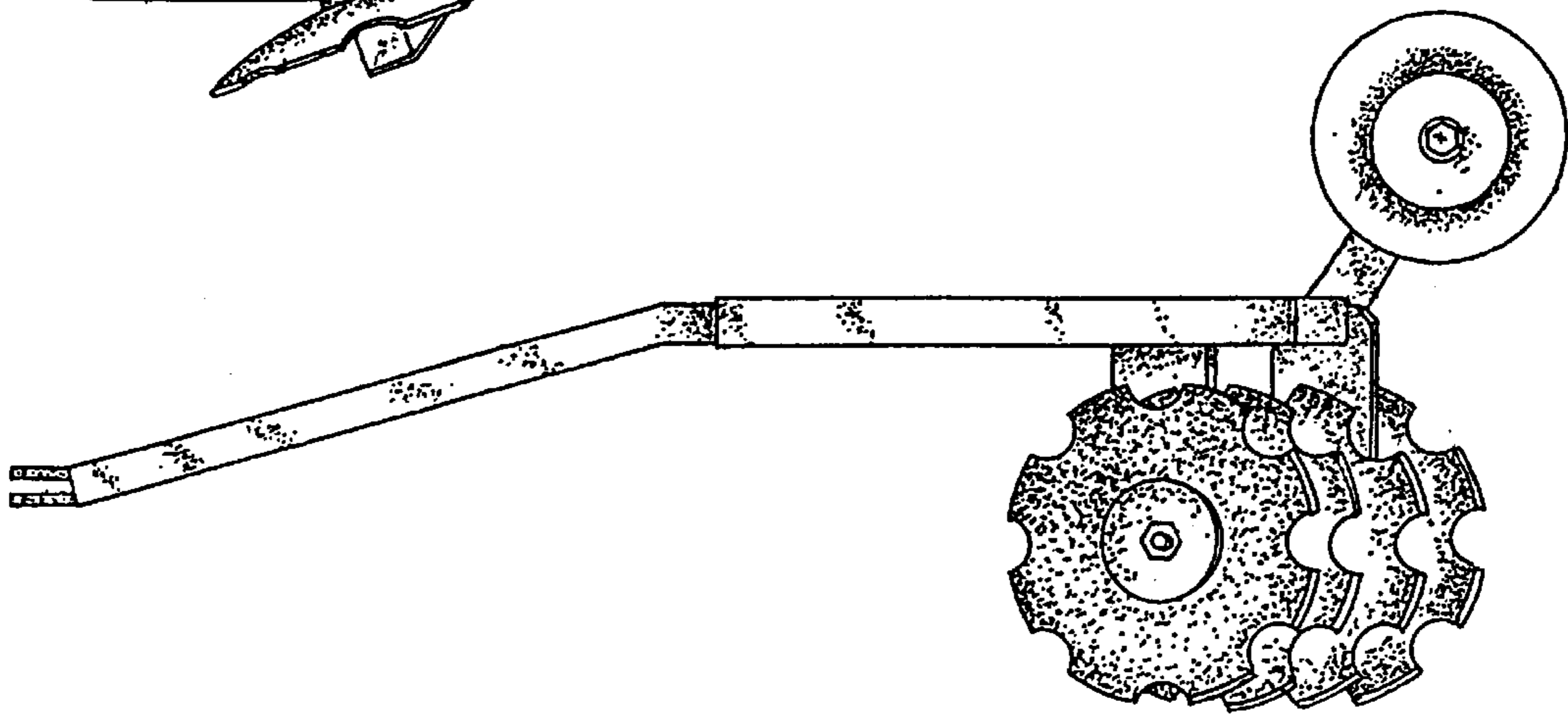


FIG. 6