



US00D437324S

(12) **United States Design Patent**
Ho

(10) **Patent No.:** **US D437,324 S**

(45) **Date of Patent:** **** Feb. 6, 2001**

(54) **COMPUTER FRONT BEZEL**

(75) Inventor: **Hsiu-Ching Ho**, Tu-Chen (TW)

(73) Assignee: **Hon Hai Precision Ind. Co., Ltd.**,
Taipei Hsien (TW)

(**) Term: **14 Years**

(21) Appl. No.: **29/118,695**

(22) Filed: **Feb. 14, 2000**

(30) **Foreign Application Priority Data**

Jan. 28, 2000 (TW) 089300631

(51) **LOC (7) Cl.** **14-02**

(52) **U.S. Cl.** **D14/441**

(58) **Field of Search** D14/441-446,
D14/257, 258; D13/162, 184, 199, 164,
177; D10/103; 312/223.2; 361/724-728

(56) **References Cited**

U.S. PATENT DOCUMENTS

D. 359,279 * 6/1995 Fujimura et al. D14/442

D. 363,477 * 10/1995 Tinsley, Jr. et al. D14/445

D. 390,841 * 2/1998 Lin D14/445

D. 392,281 * 3/1998 Poole et al. D14/441

* cited by examiner

Primary Examiner—Freda Nunn

(74) *Attorney, Agent, or Firm*—Wei Te Chung

(57) **CLAIM**

The ornamental design for a computer front bezel, as shown and described.

DESCRIPTION

FIG. 1 is a perspective view of a computer front bezel showing our new design;

FIG. 2 is a front elevational view thereof;

FIG. 3 is a rear elevational view thereof;

FIG. 4 is a left side elevational view thereof;

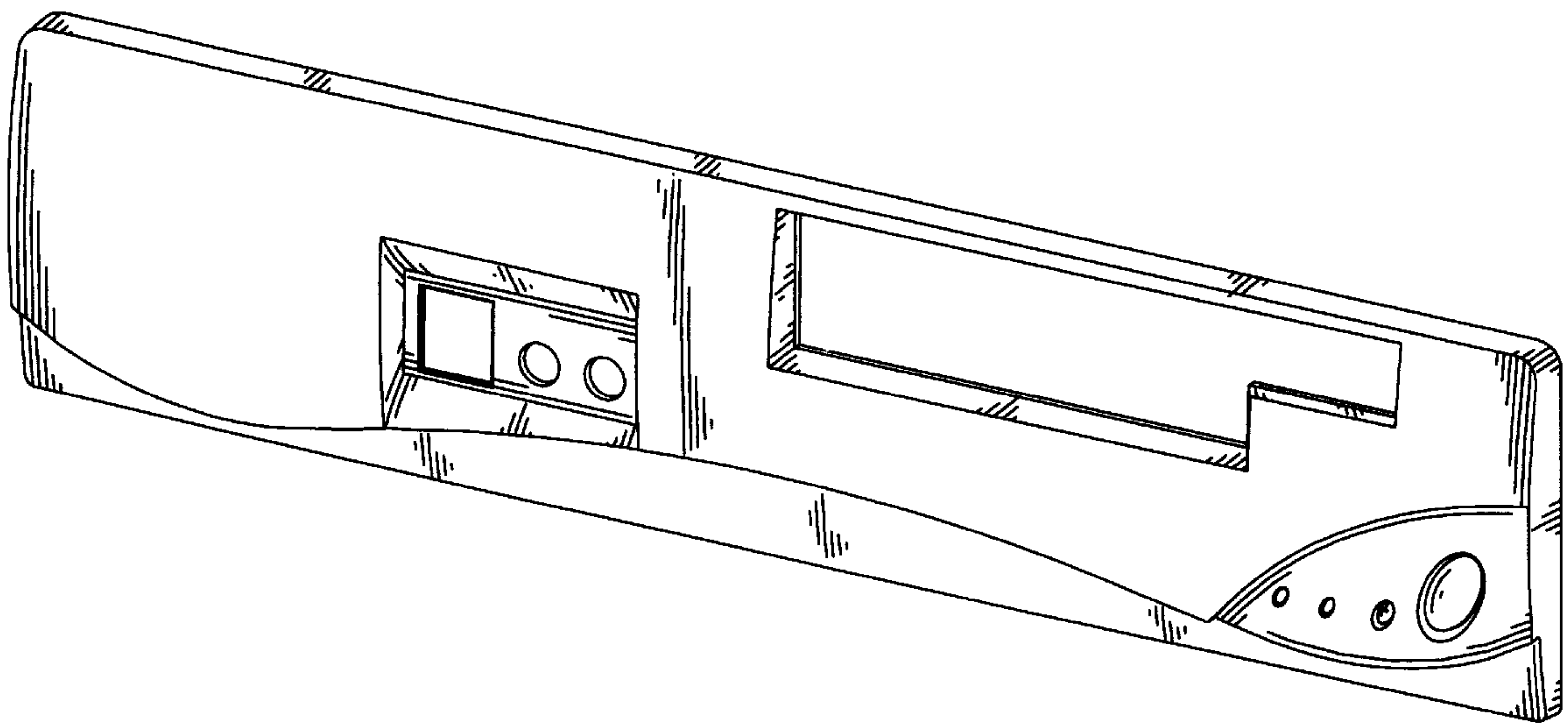
FIG. 5 is a right side elevational view thereof;

FIG. 6 is a top plan view thereof;

FIG. 7 is a bottom plan view thereof; and,

FIG. 8 is a reduced perspective view thereof being shown attached to a computer which is shown in broken lines for illustrative purposes only and forms no part of the claimed design.

1 Claim, 6 Drawing Sheets



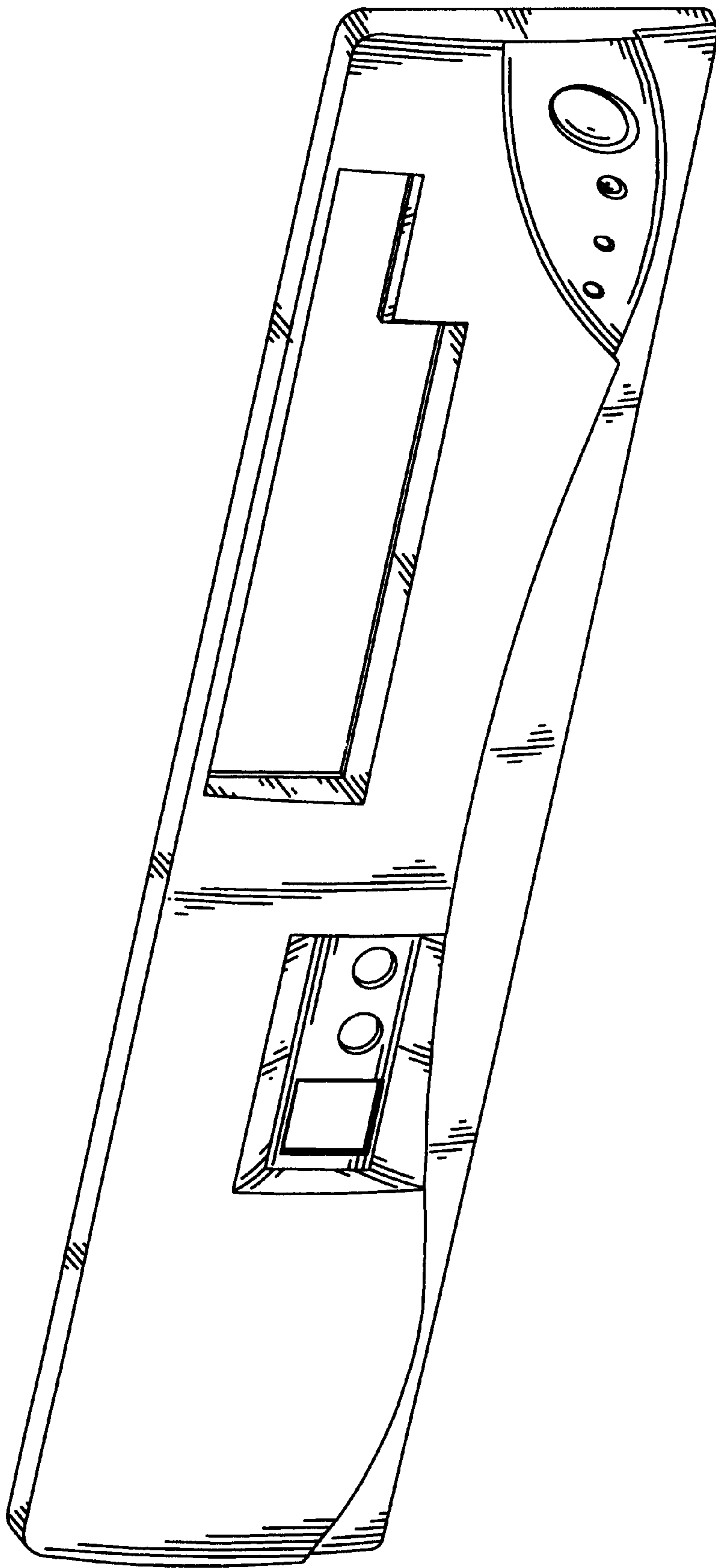


FIG. 1

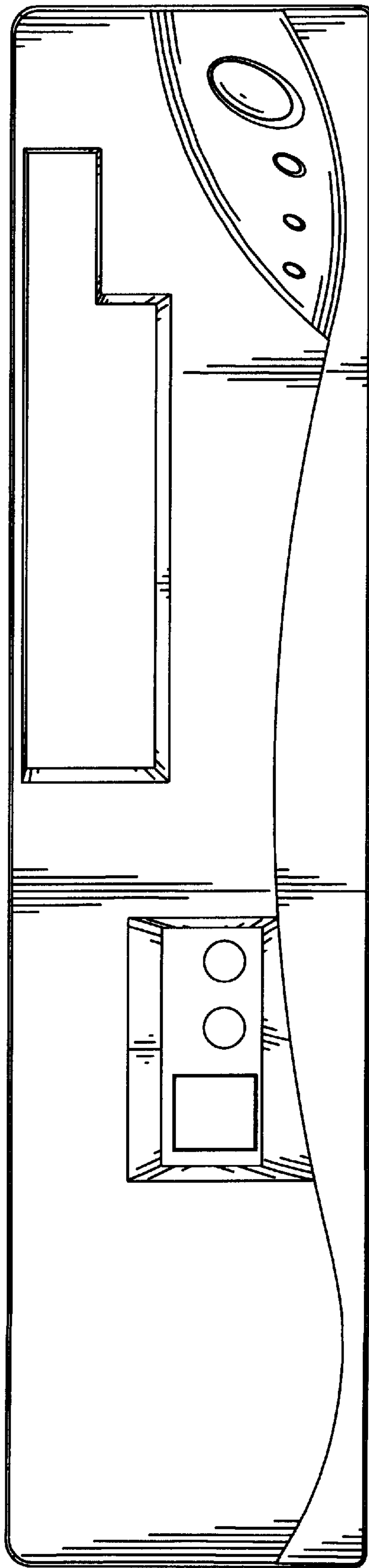


FIG. 2

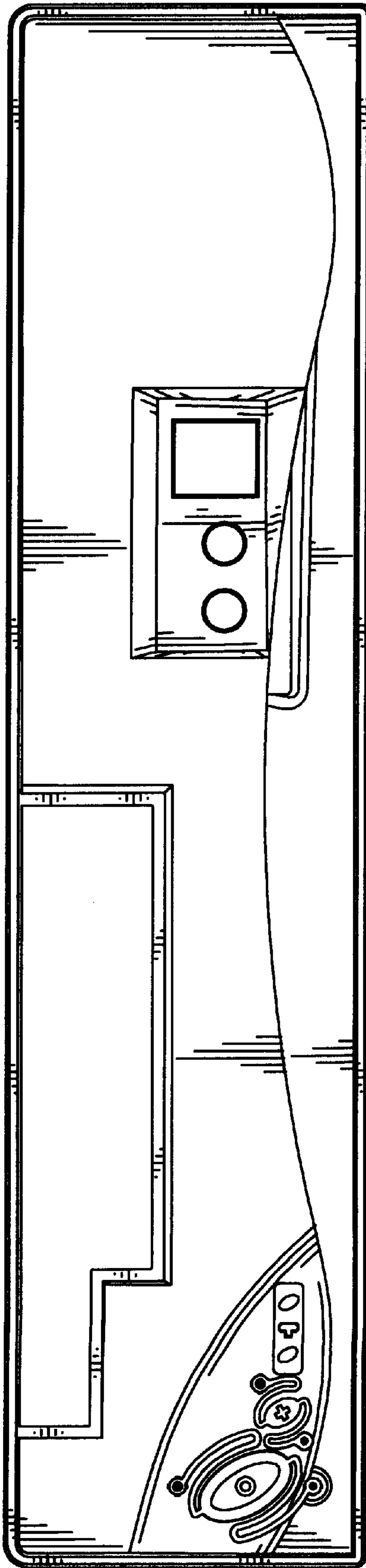


FIG. 3

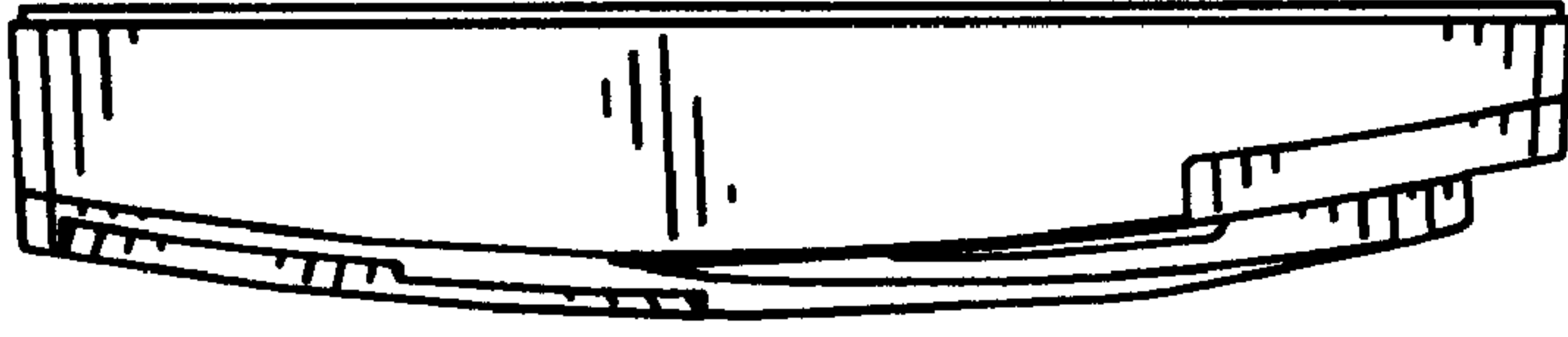


FIG. 5

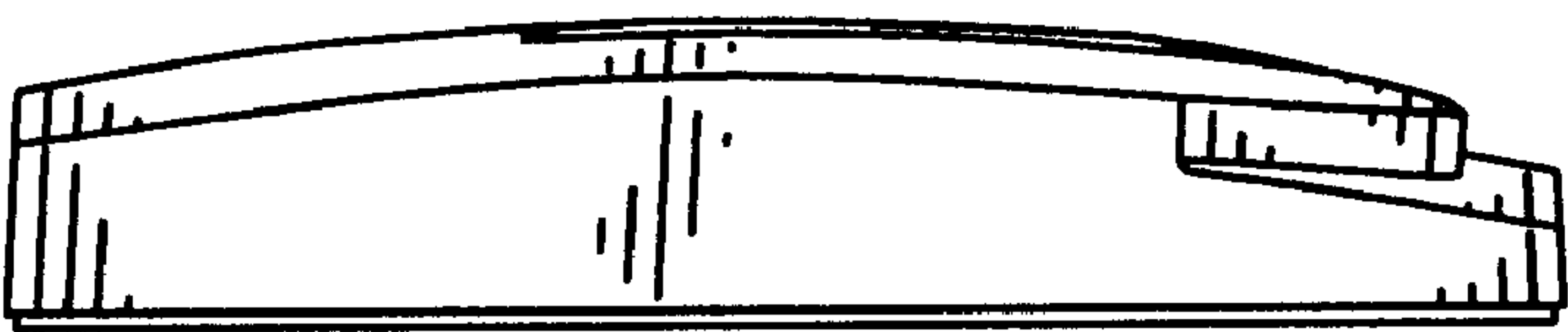


FIG. 4



FIG. 6

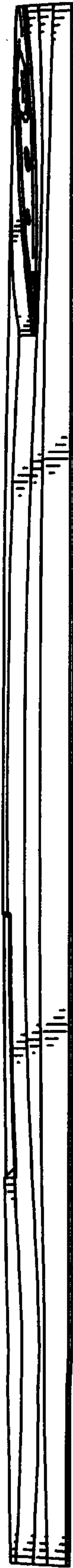


FIG. 7

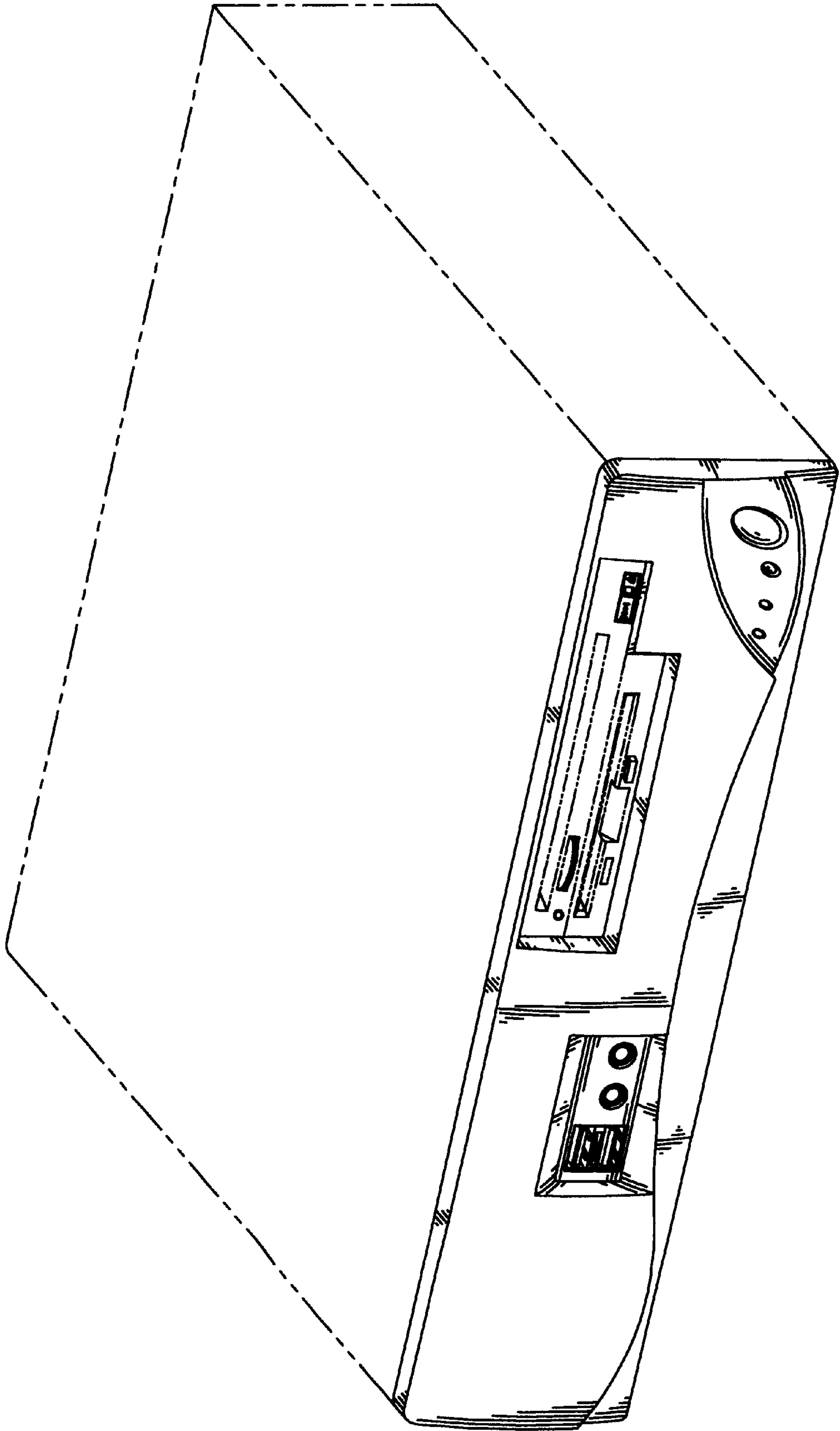


FIG. 8