



US00D437319S

(12) **United States Design Patent**  
**Hui**

(10) **Patent No.:** **US D437,319 S**

(45) **Date of Patent:** **\*\* Feb. 6, 2001**

(54) **COMPUTER CASE**

(75) **Inventor:** **John Tipo Hui, San Jose, CA (US)**

(73) **Assignee:** **Maaya Group, Inc., Miami, FL (US)**

(\*\*) **Term:** **14 Years**

(21) **Appl. No.:** **29/120,446**

(22) **Filed:** **Mar. 17, 2000**

(51) **LOC (7) Cl.** ..... **14-02**

(52) **U.S. Cl.** ..... **D14/355**

(58) **Field of Search** ..... D14/348, 356,  
D14/363, 368, 355; D13/162, 184, 199;  
312/223.2; 360/99.12; 361/680-686; 369/34,  
36

(56) **References Cited**

**U.S. PATENT DOCUMENTS**

D. 386,750 \* 11/1997 Esslinger et al. .... D14/355

D. 413,873 \* 9/1999 Daly et al. .... D14/348  
5,519,572 \* 5/1996 Luo ..... 361/685

\* cited by examiner

*Primary Examiner*—Freda Nunn

(74) *Attorney, Agent, or Firm*—Olga Gonzalez, P.A.

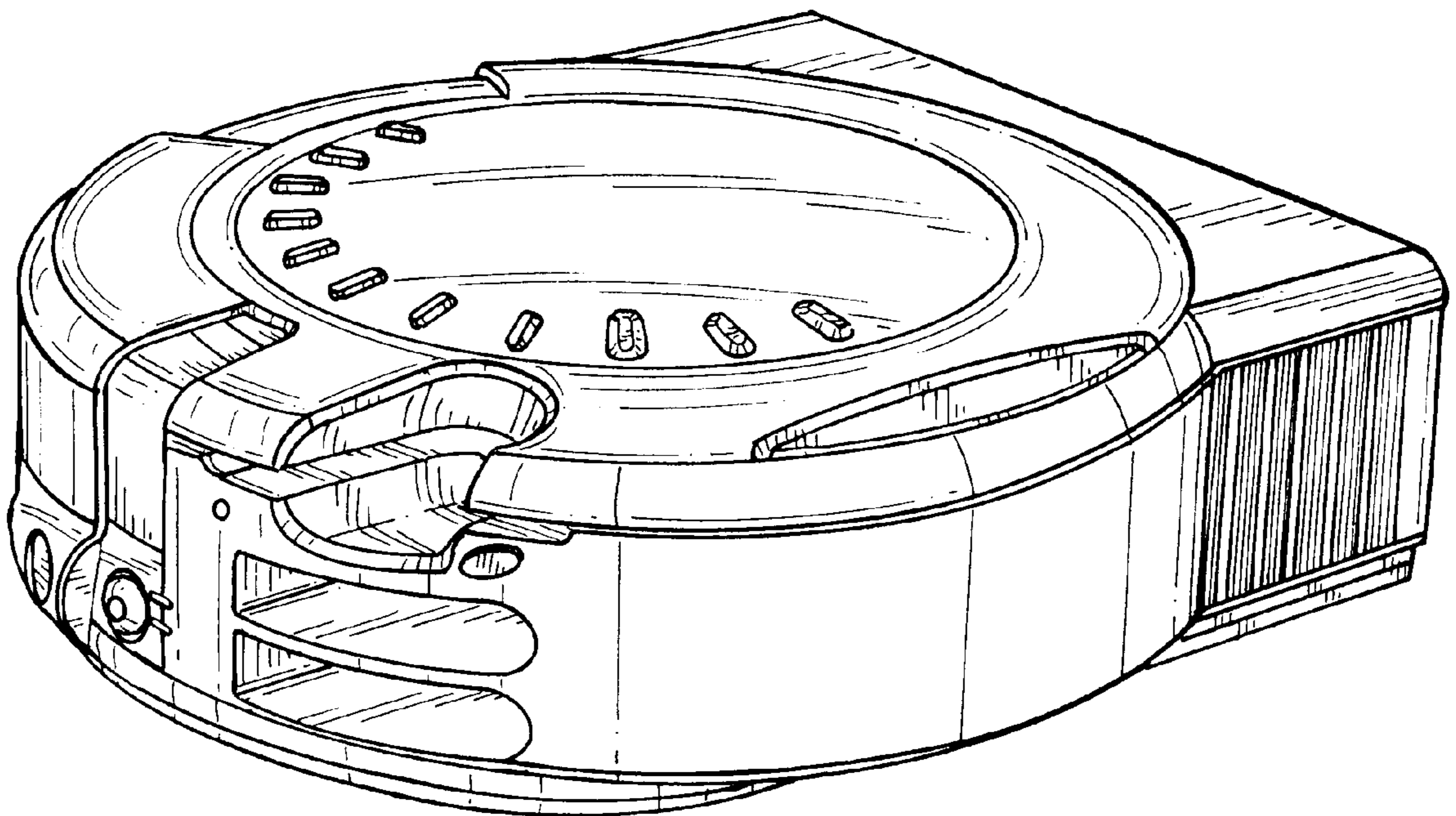
(57) **CLAIM**

The ornamental design for a computer case, substantially as shown and described.

**DESCRIPTION**

FIG. 1 is a front perspective view of the computer case design as seen from the top right;  
FIG. 2 is a front elevational view thereof;  
FIG. 3 is a back elevational view thereof;  
FIG. 4 is a top plan view thereof;  
FIG. 5 is a right side elevational view thereof;  
FIG. 6 is a bottom plan view thereof; and,  
FIG. 7 is a left side elevational view.

**1 Claim, 4 Drawing Sheets**



*FIG. 1*

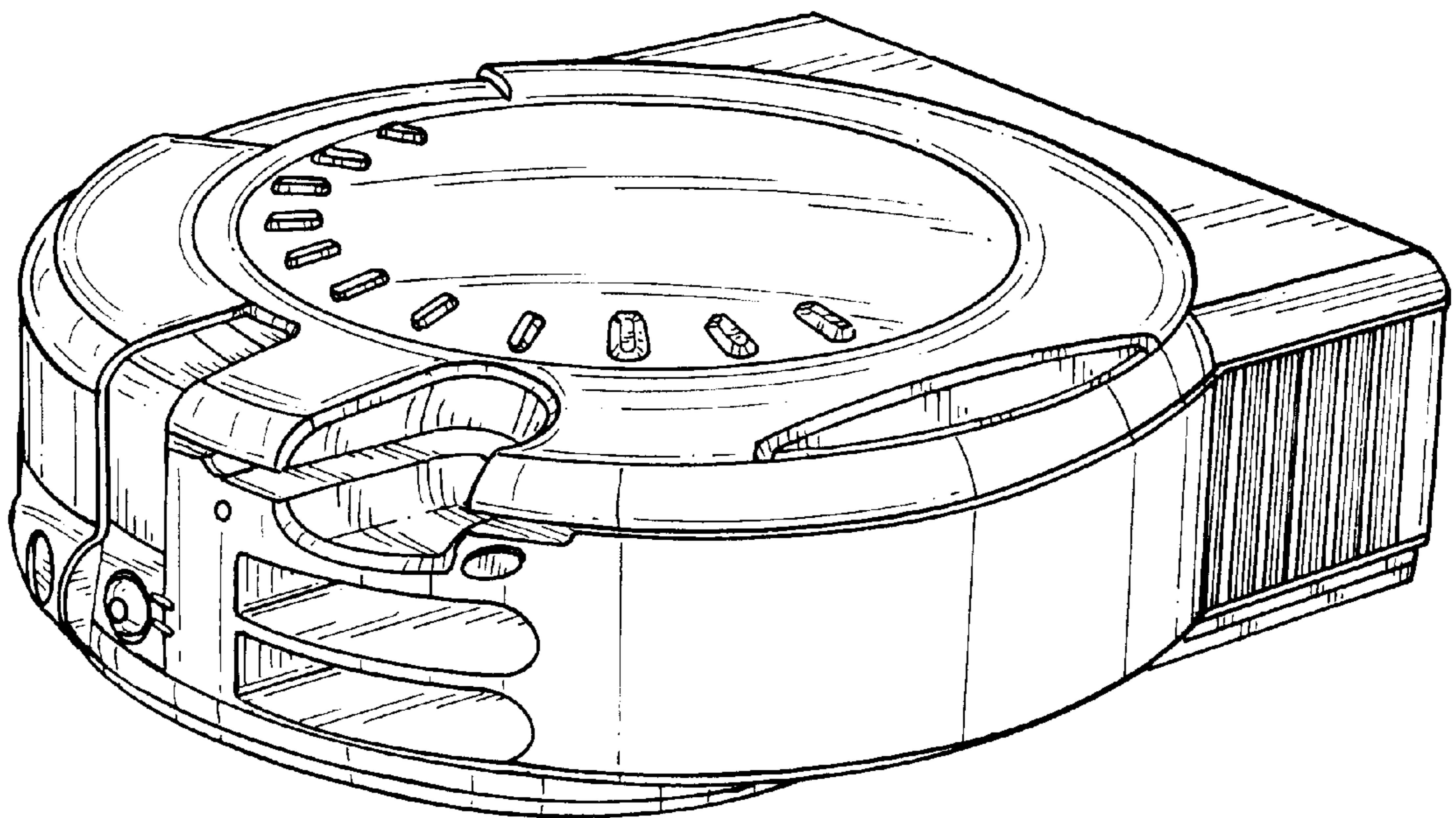


FIG. 2

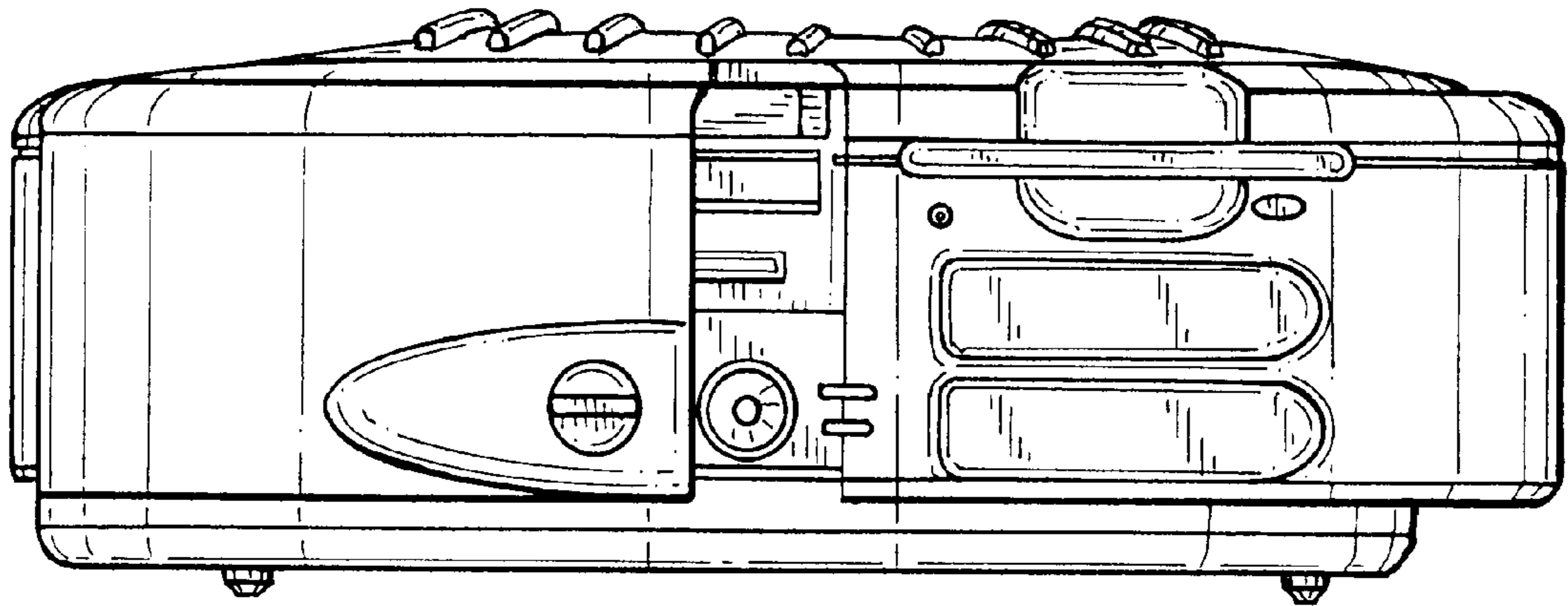


FIG. 3

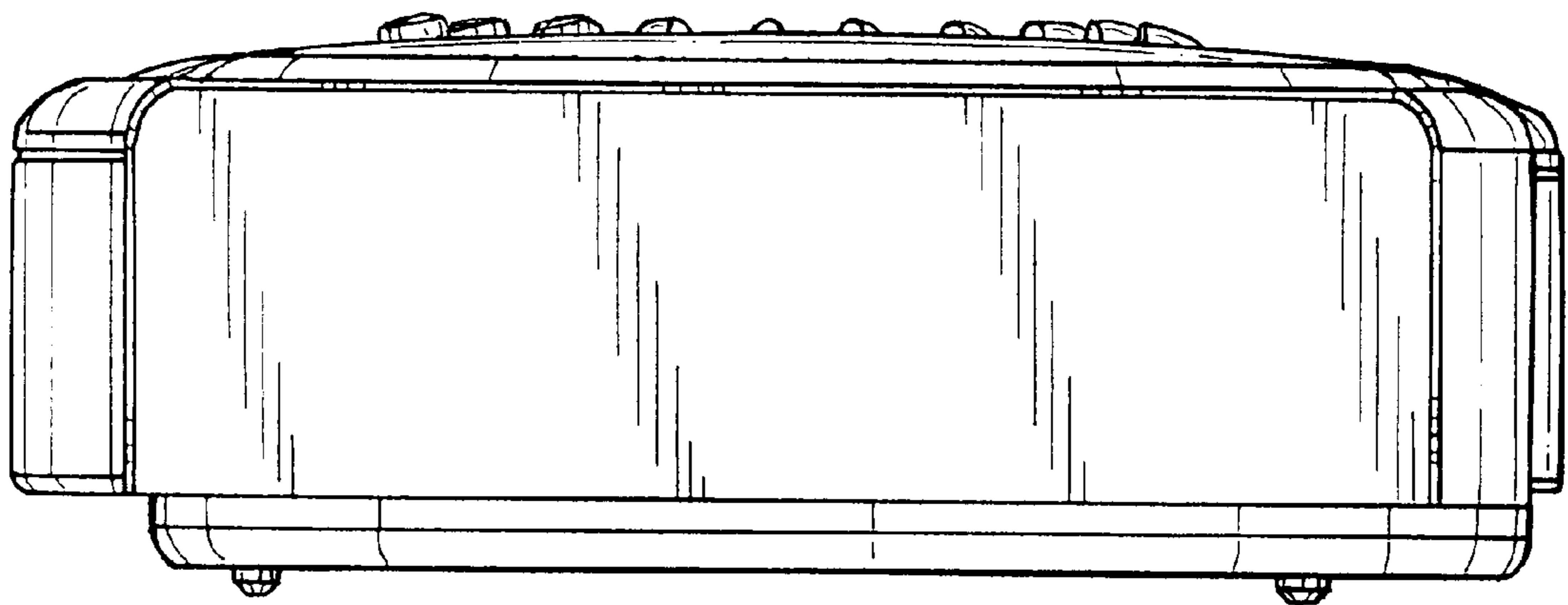


FIG. 4

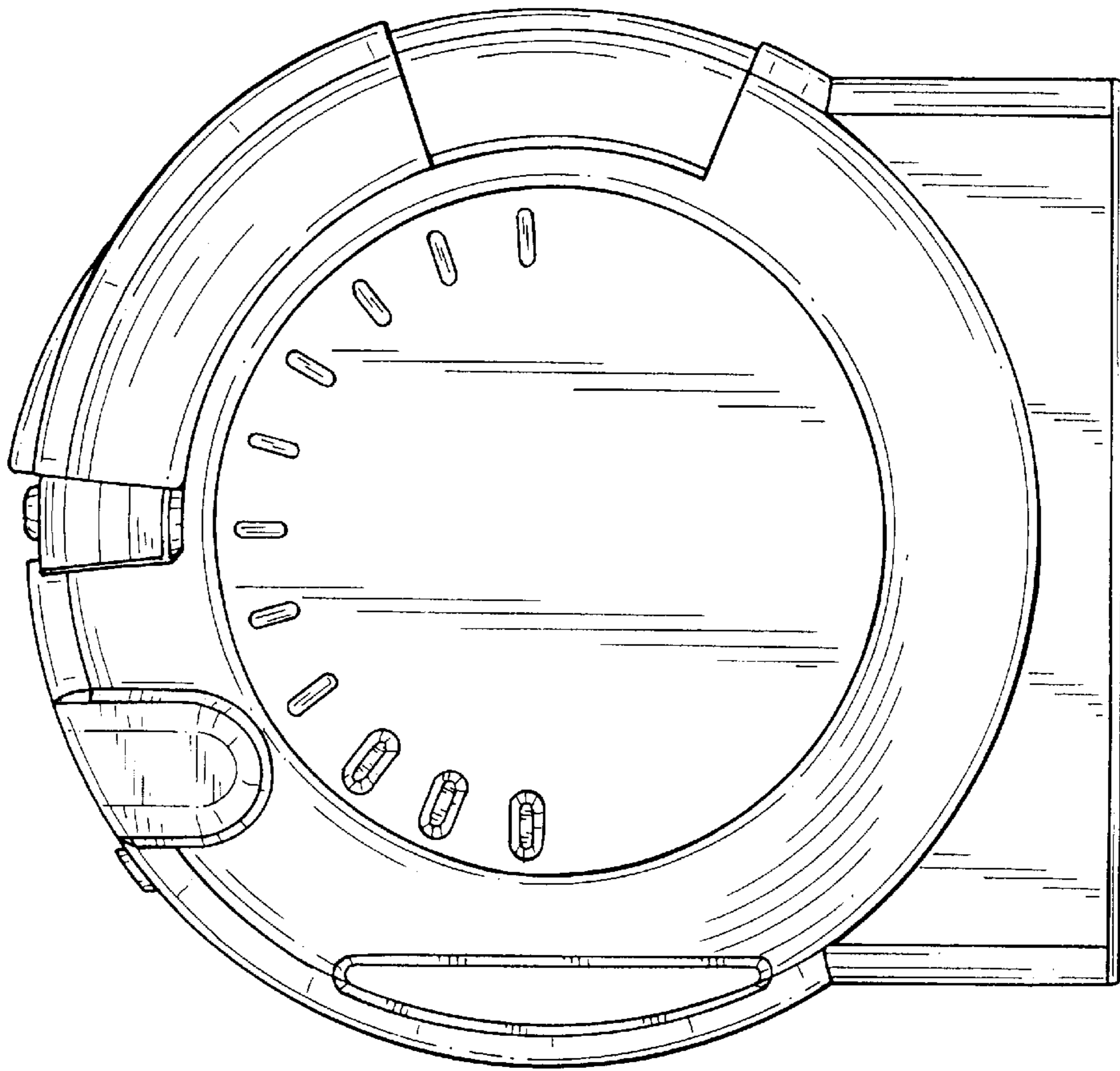


FIG. 5

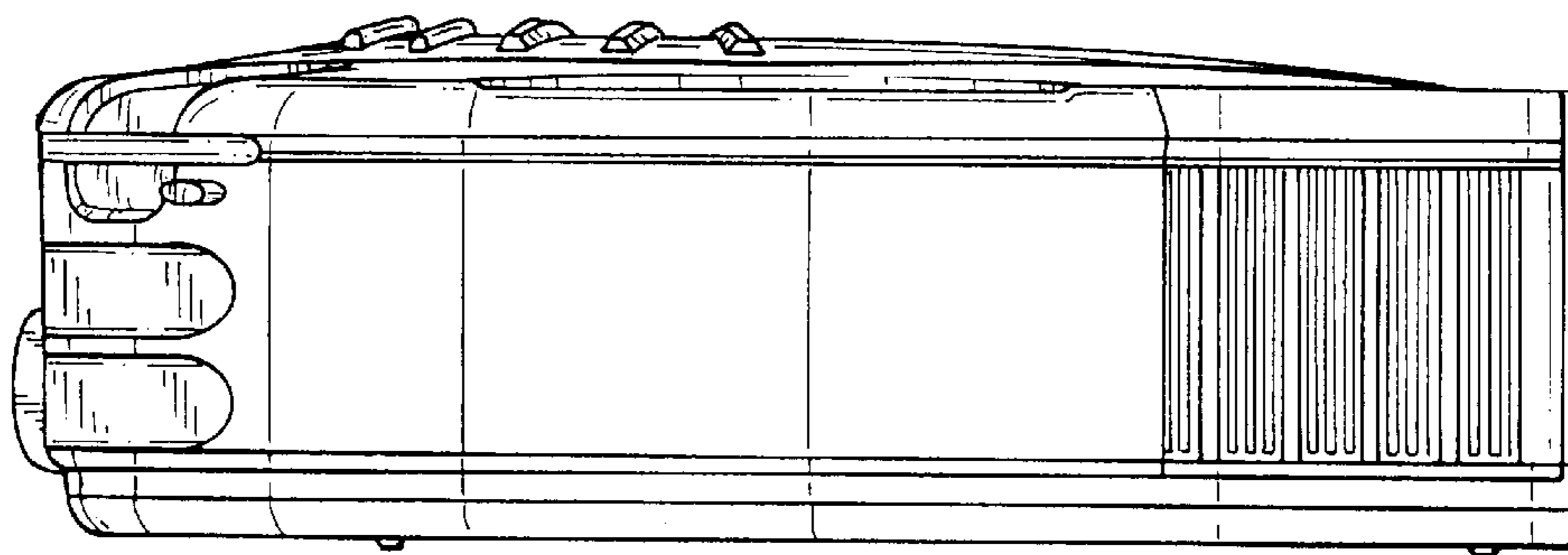




FIG. 6

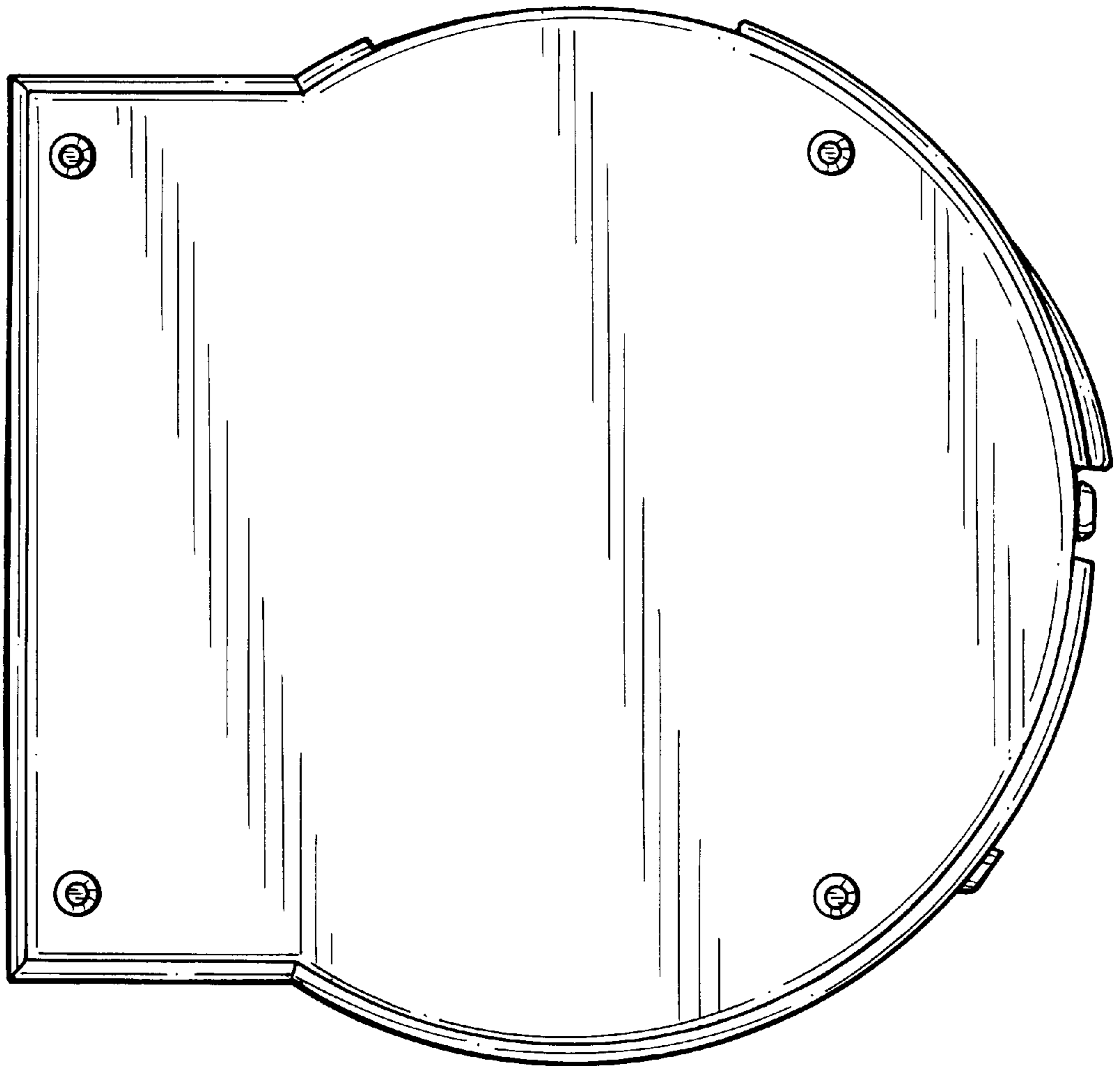


FIG. 7

