



US00D437317S

(12) **United States Design Patent**
Howarth et al.

(10) **Patent No.:** **US D437,317 S**

(45) **Date of Patent:** **** Feb. 6, 2001**

(54) **PORTABLE INTERNET ACCESS DEVICE**

(75) Inventors: **Arthur G. Howarth; Hitesh Sheth**, both of San Jose; **Craig Strachman**, Cupertino; **Kenneth Chen**, Milpitas, all of CA (US); **Mathew E. Schmitz**, Natick, MA (US); **Daniel K. Harden**, Palo Alto, CA (US)

(73) Assignee: **Cisco Technology, Inc.**, San Jose, CA (US)

(**) Term: **14 Years**

(21) Appl. No.: **29/120,610**

(22) Filed: **Mar. 22, 2000**

(51) **LOC (7) Cl.** **14-02**

(52) **U.S. Cl.** **D14/336; D14/320**

(58) **Field of Search** D14/341, 343, D14/342, 336, 345, 320, 328; D19/26, 52, 59, 60, 62; 345/104, 156, 168, 173, 901, 905; 364/708.1; 349/12; 178/18.03

(56) **References Cited**

U.S. PATENT DOCUMENTS

D. 328,288	*	7/1992	Brodbeck	D14/150
D. 369,146	*	4/1996	Onoda et al.	D14/320
D. 377,929	*	2/1997	Sekino et al.	D14/336
D. 394,245	*	5/1998	Brodbeck	D14/150

* cited by examiner

Primary Examiner—Freda Nunn

(74) *Attorney, Agent, or Firm*—Beyer Weaver & Thomas, LLP

(57) **CLAIM**

The ornamental design for a portable internet access device, as shown and described.

DESCRIPTION

FIG. 1 is an upper right front perspective view for the portable internet access device shown in it's closed condition;

FIG. 2 is an upper right front perspective view of the device in it's open condition;

FIG. 3 is a front elevational view of the device in it's closed condition;

FIG. 4 is a left side elevational view of the device in it's closed condition, the right side being a mirror image thereof;

FIG. 5 is a rear elevational view of the device in it's closed condition;

FIG. 6 is a top plan view of the device in it's closed condition;

FIG. 7 is a bottom plan view of the device in it's closed condition;

FIG. 8 is a front elevational view of the device in it's open condition;

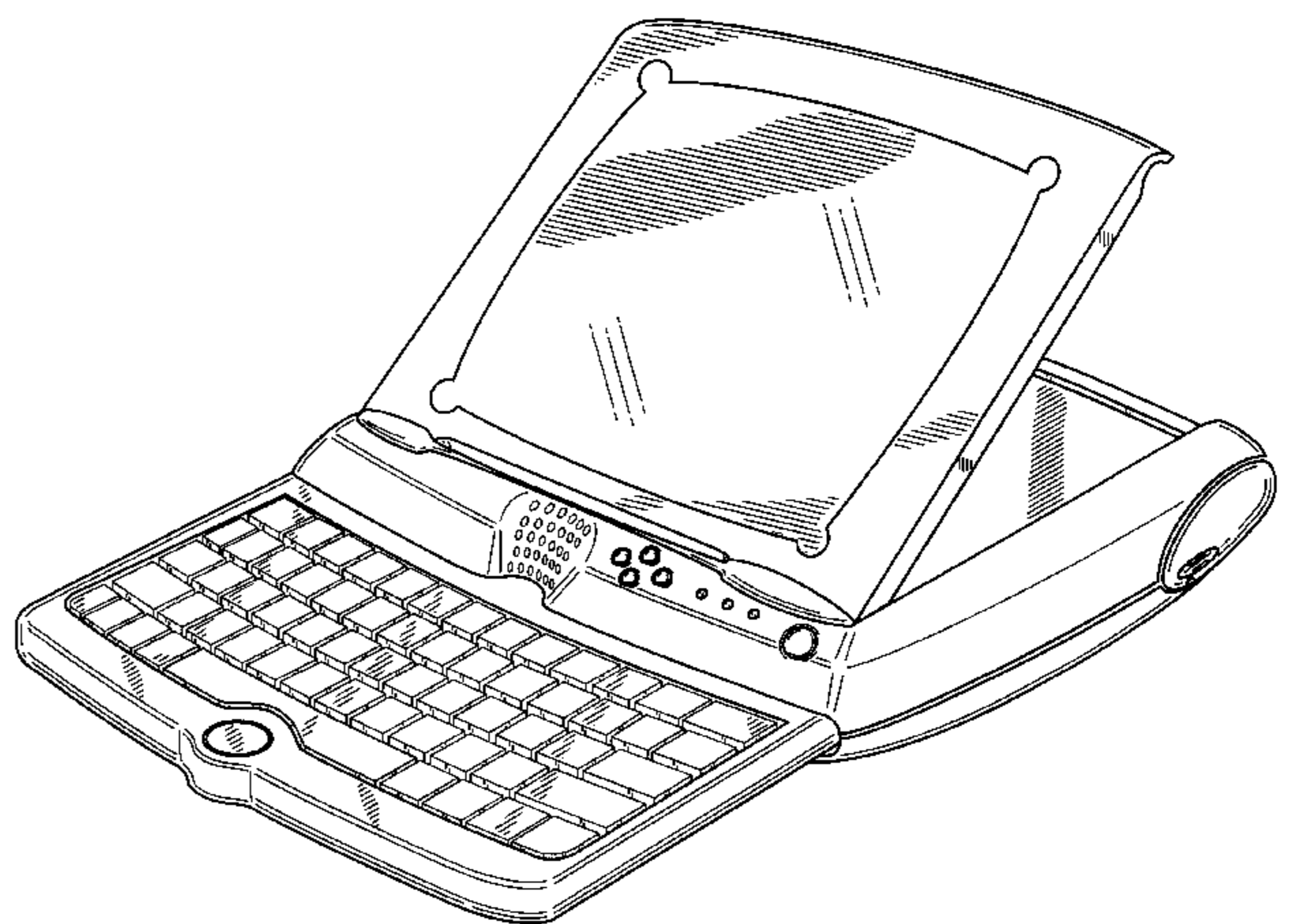
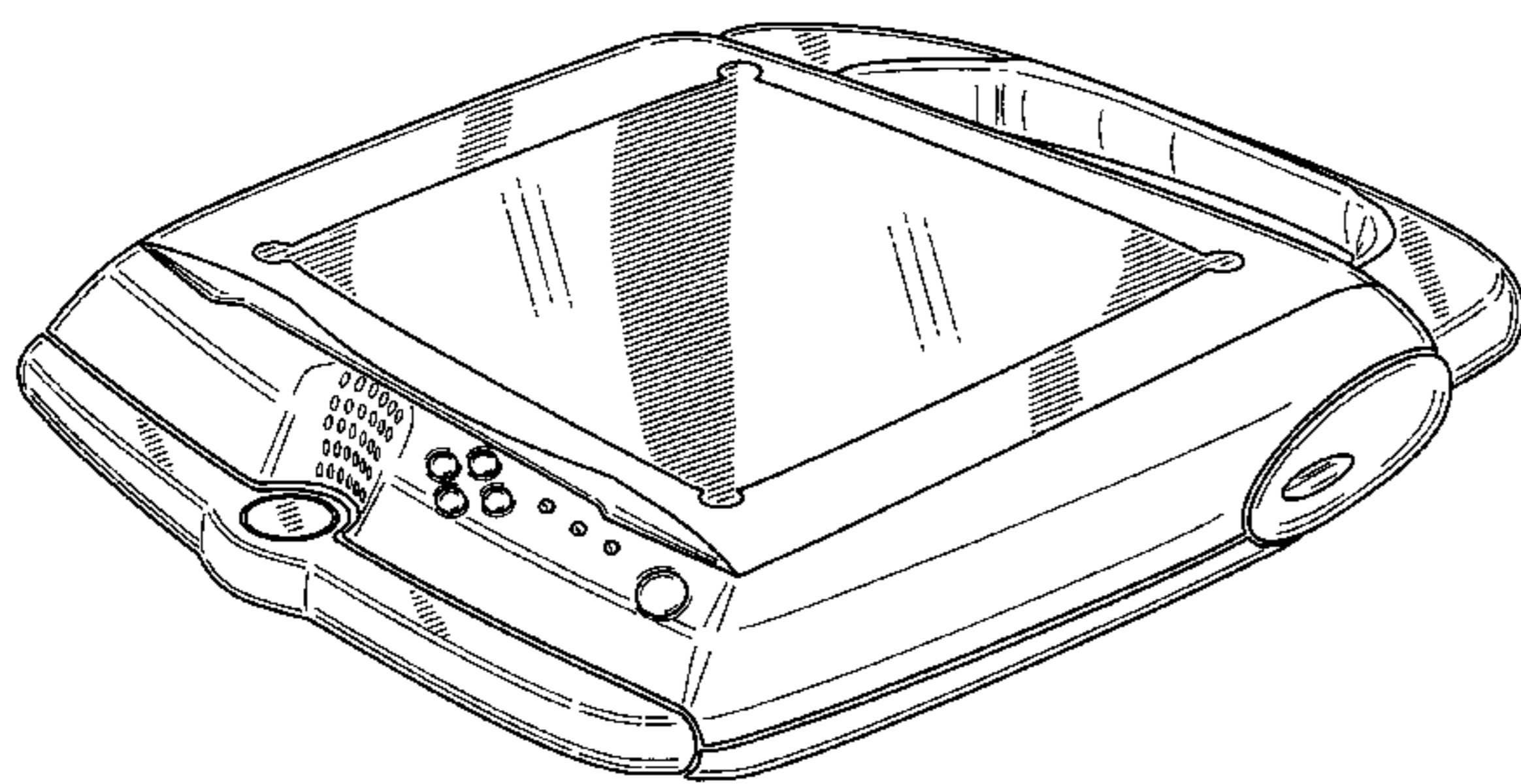
FIG. 9 is a left side elevational view of the device in its open condition, the right side being a mirror image thereof;

FIG. 10 is a rear elevational view of the device in its open condition;

FIG. 11 is a top plan view of the device in its open condition; and,

FIG. 12 is a bottom plan view of the device in its open condition.

1 Claim, 9 Drawing Sheets



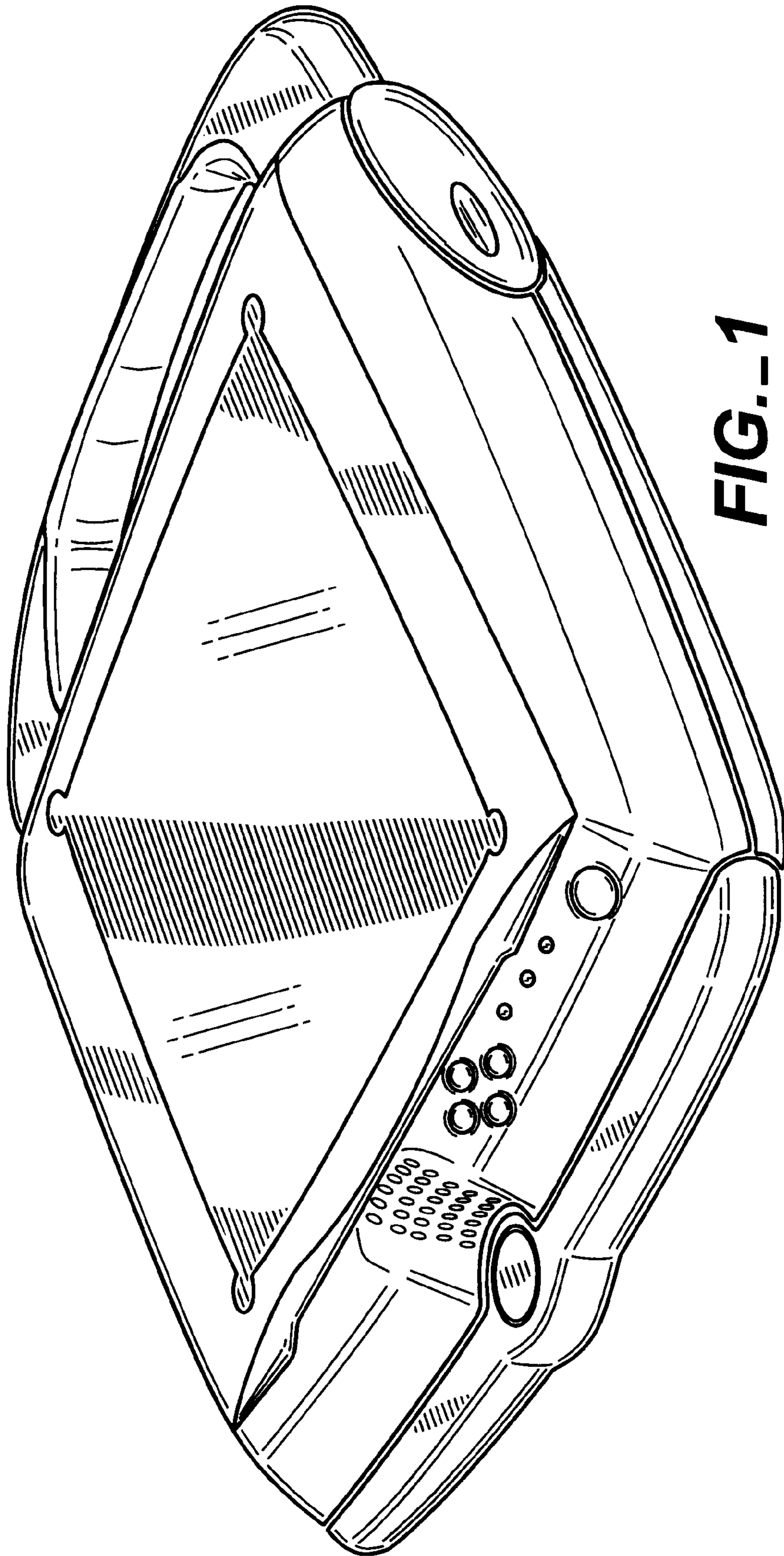


FIG.-1

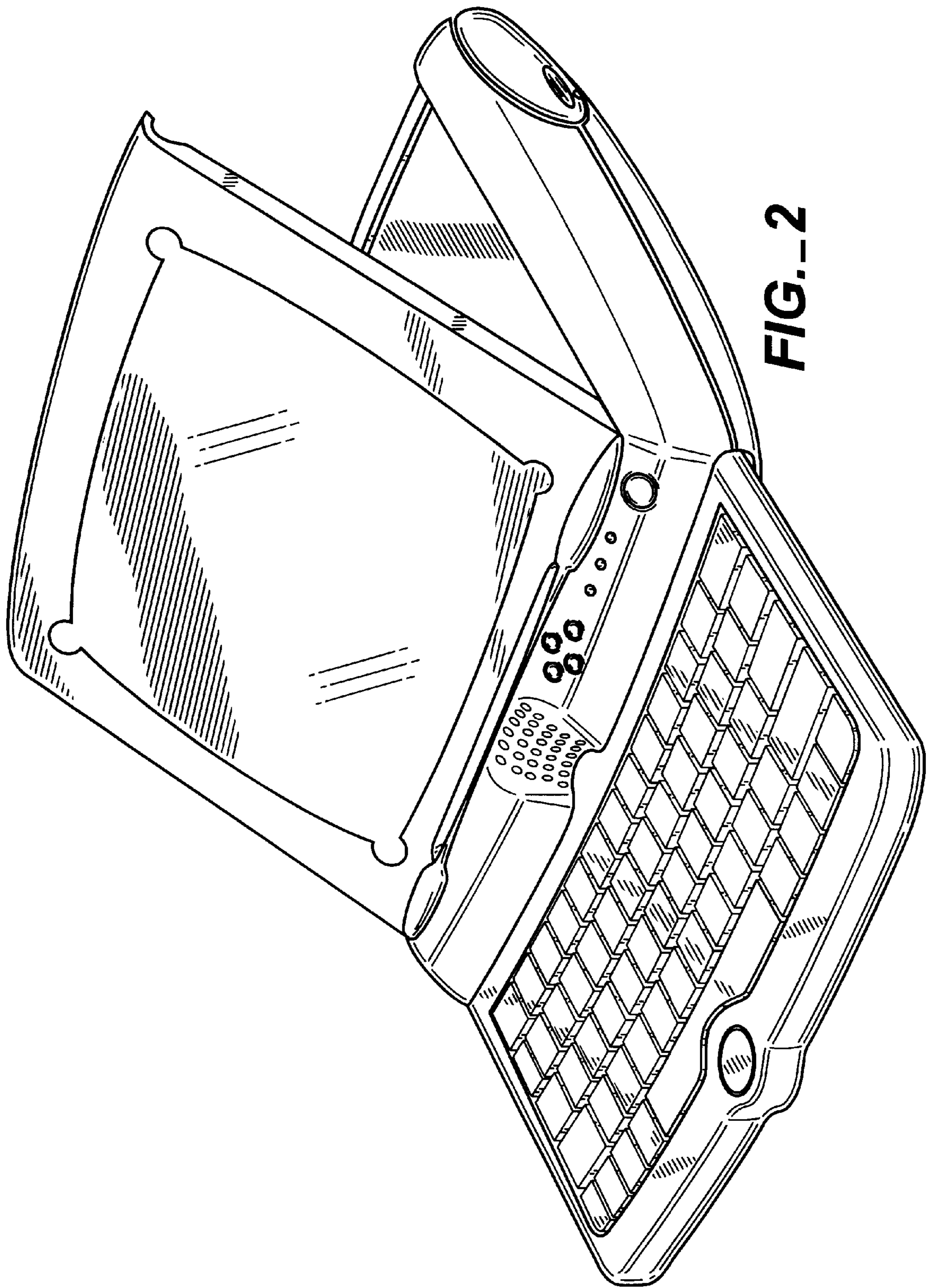


FIG.-2

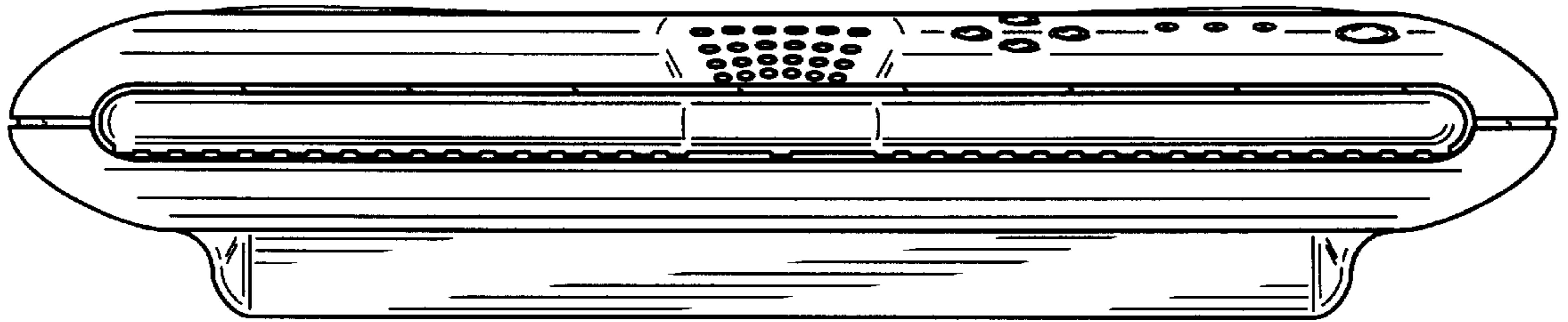


FIG._3

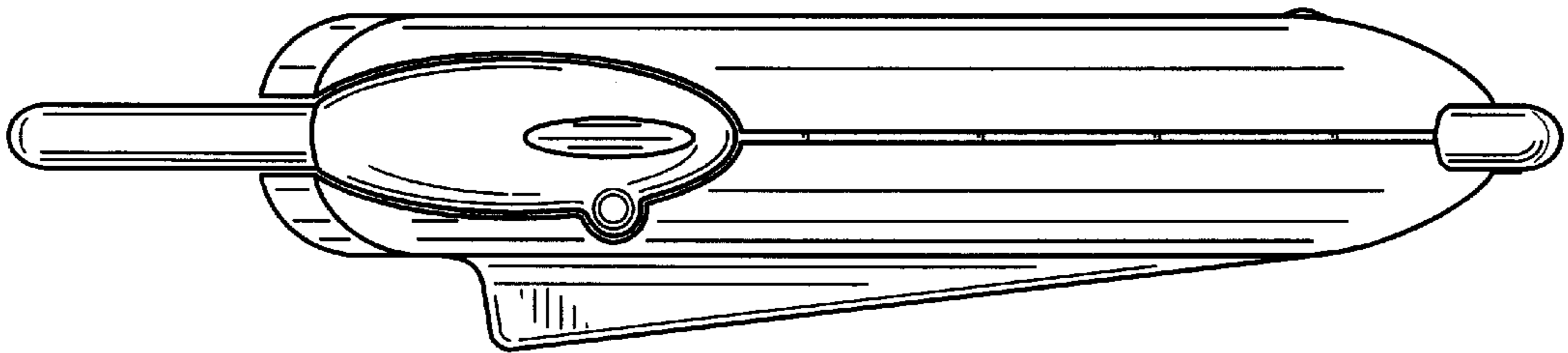


FIG._4

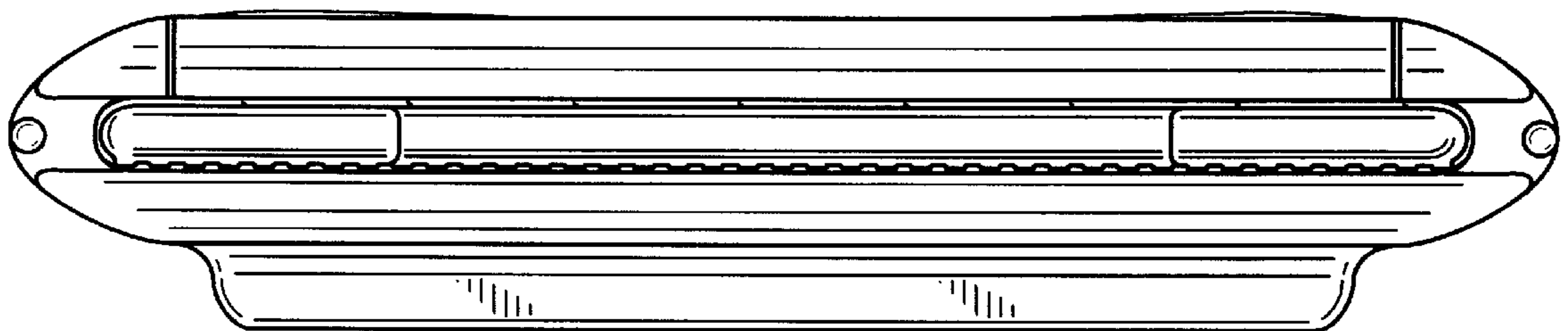


FIG._5

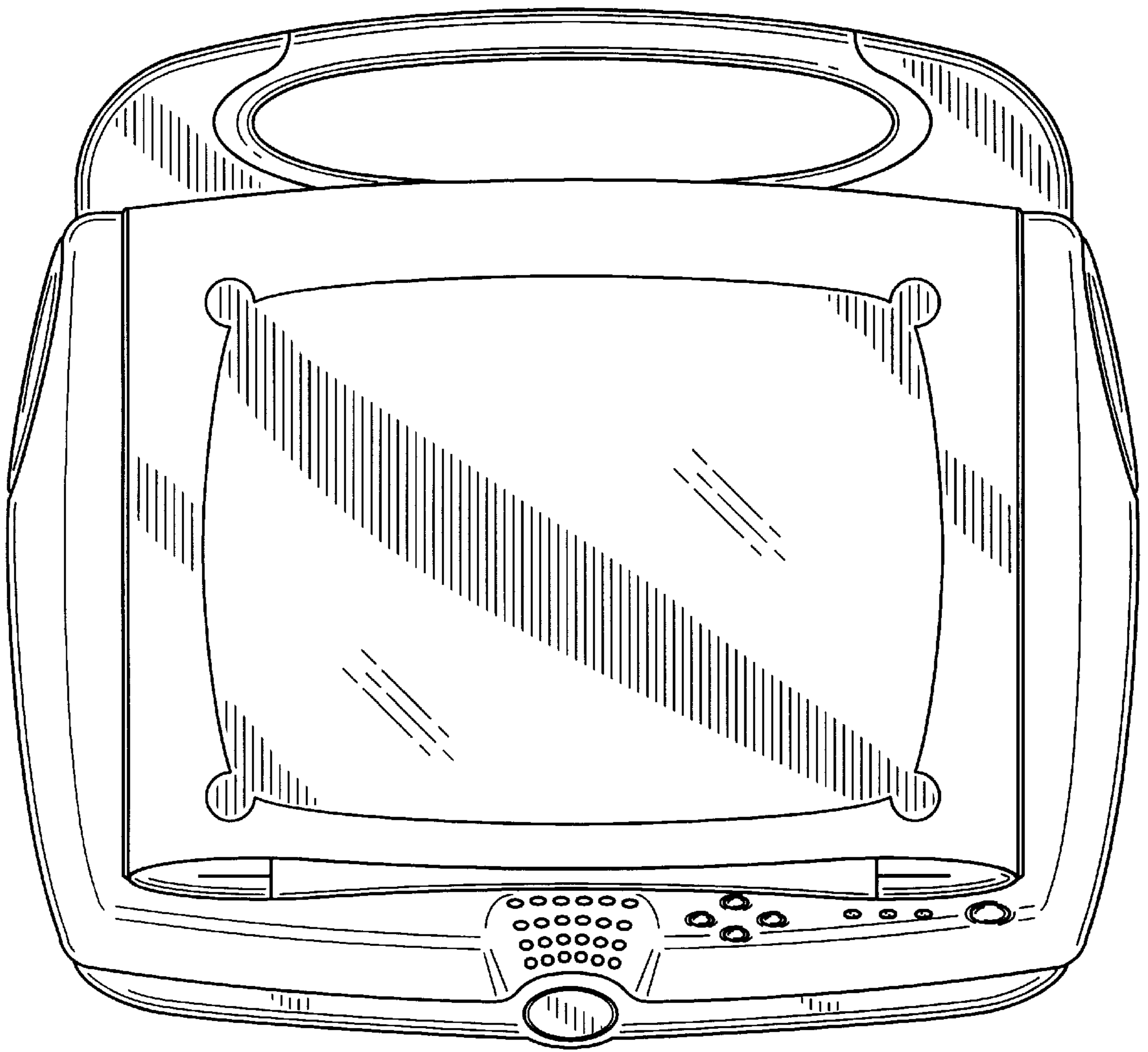


FIG. 6

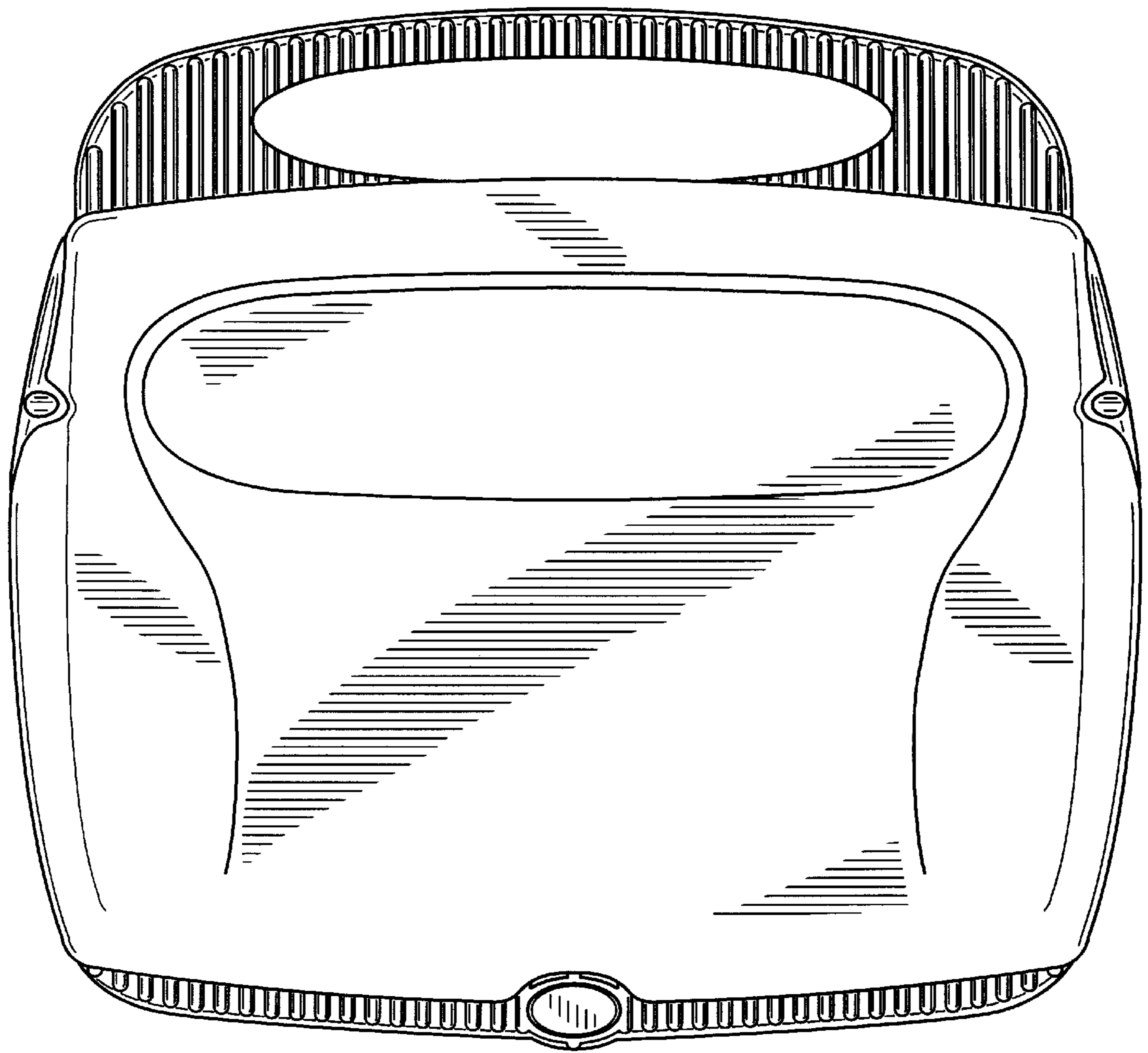


FIG. 7

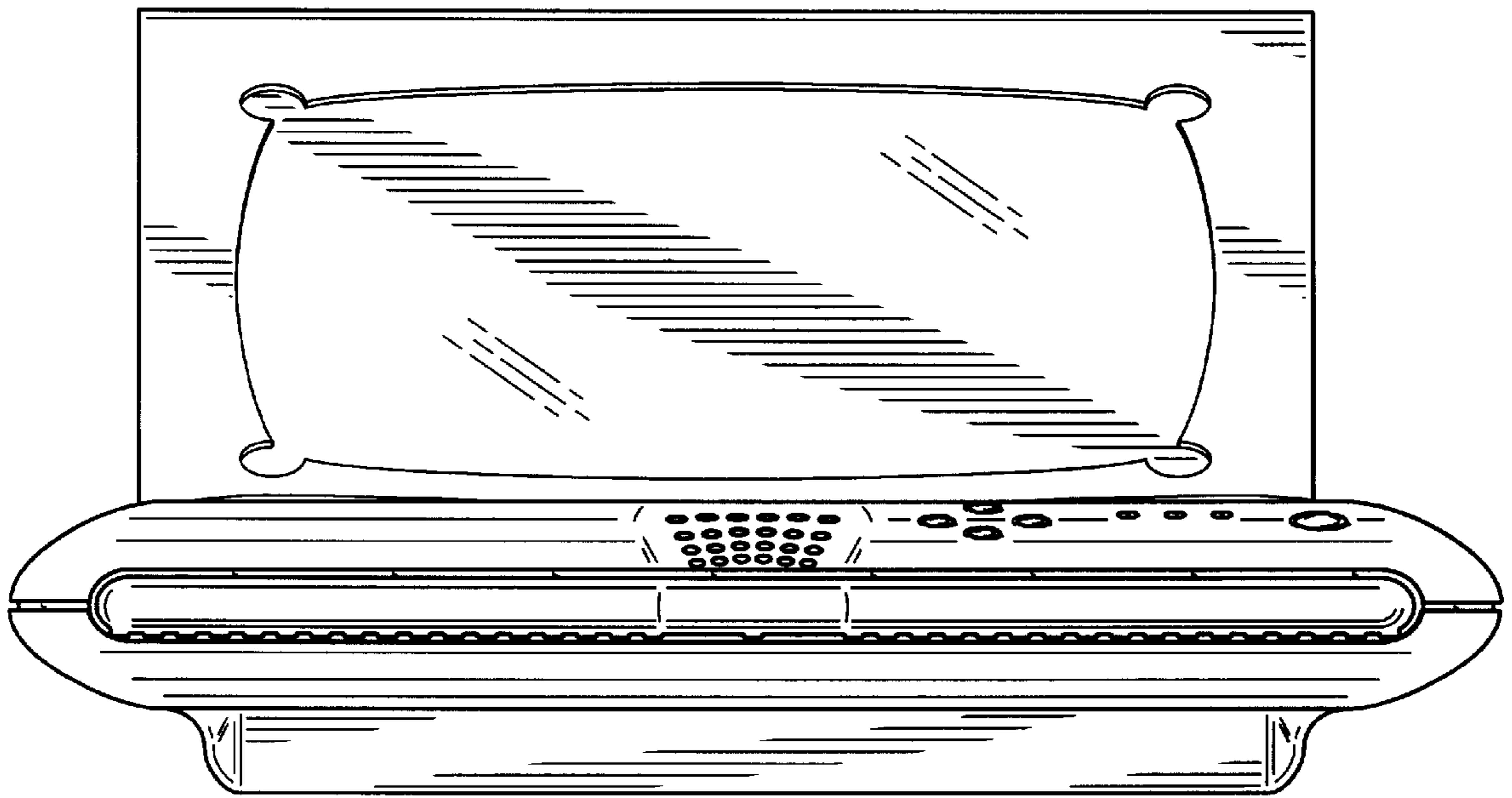


FIG._8

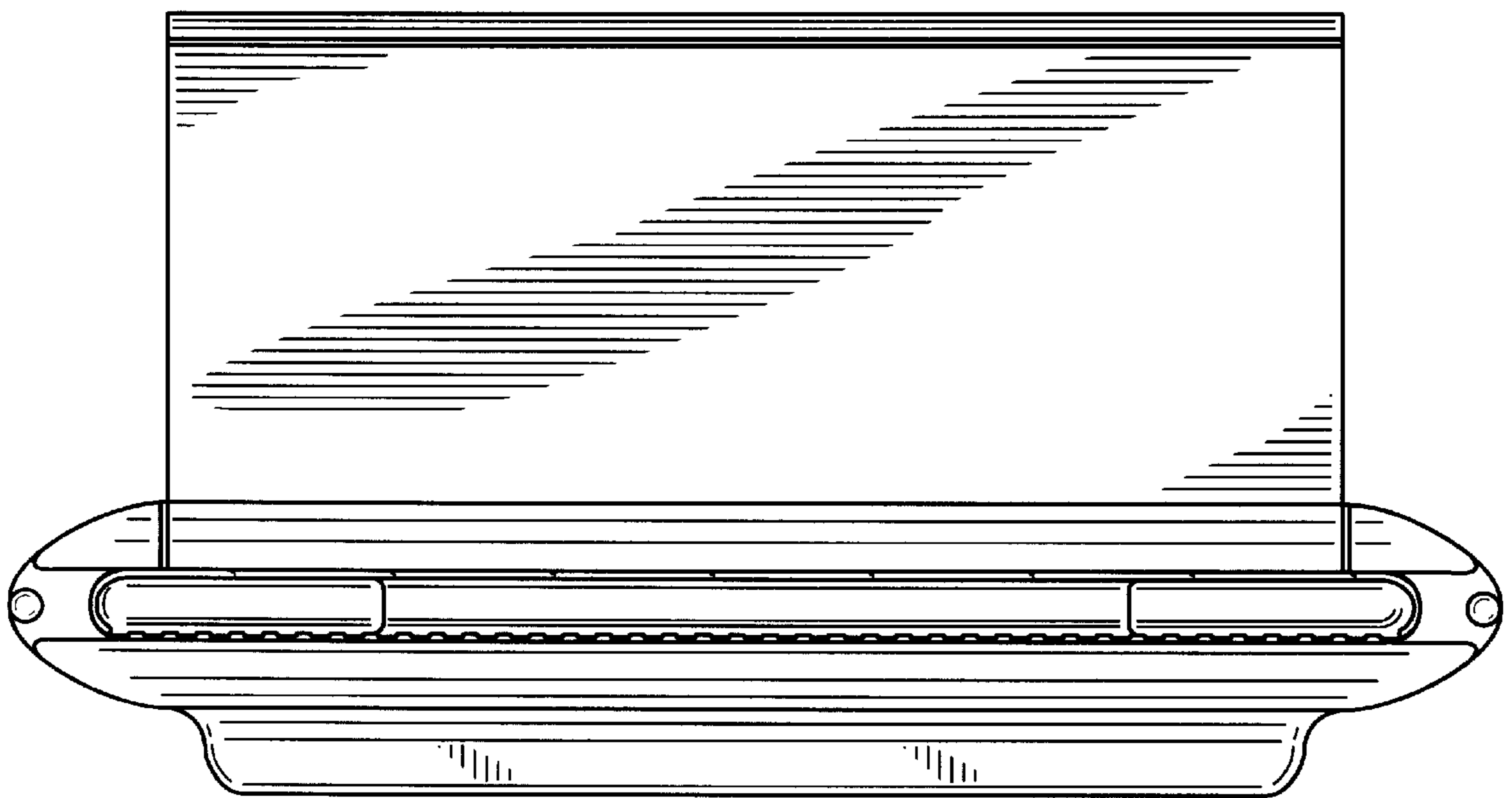


FIG._10

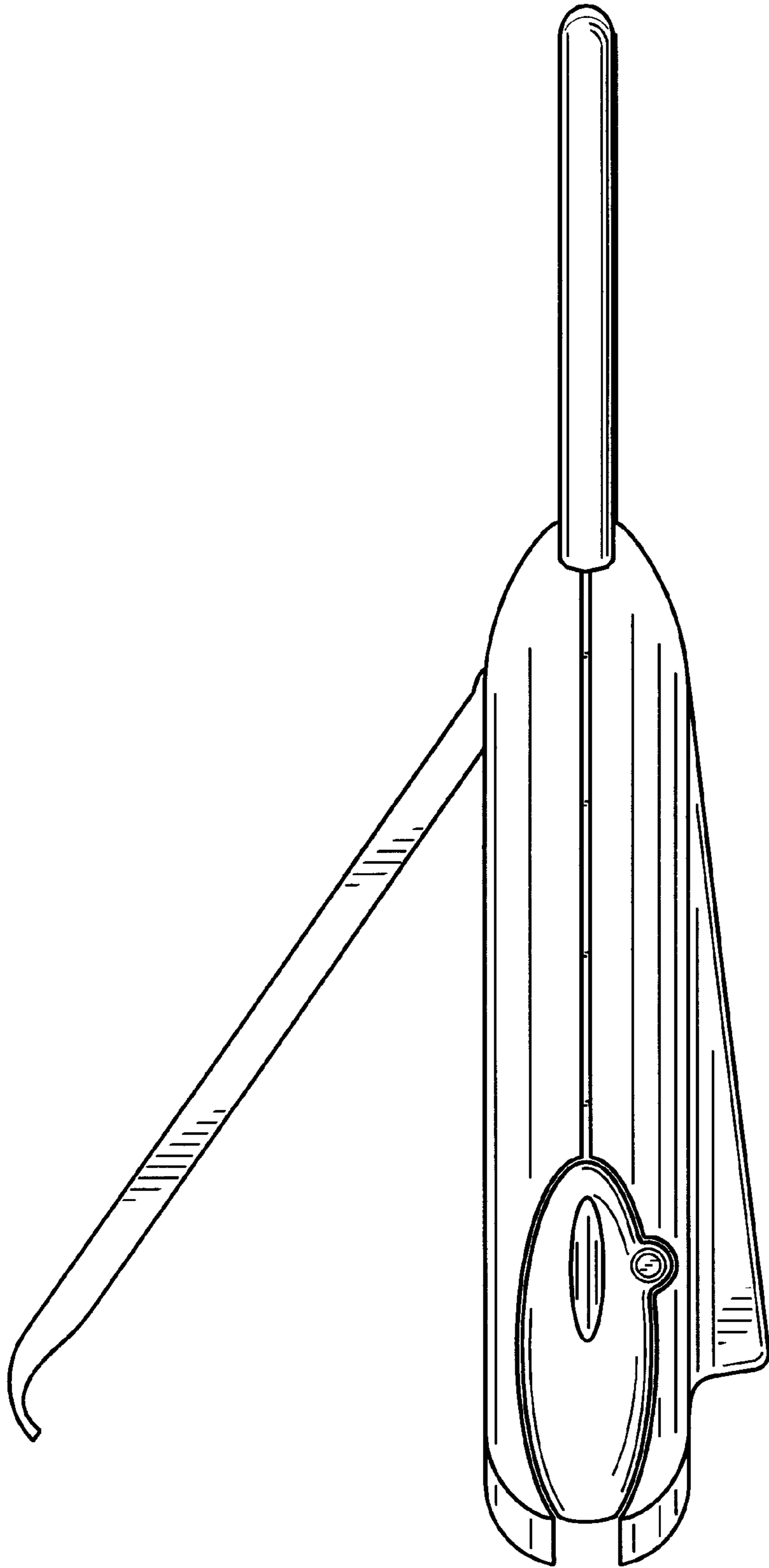


FIG. 9

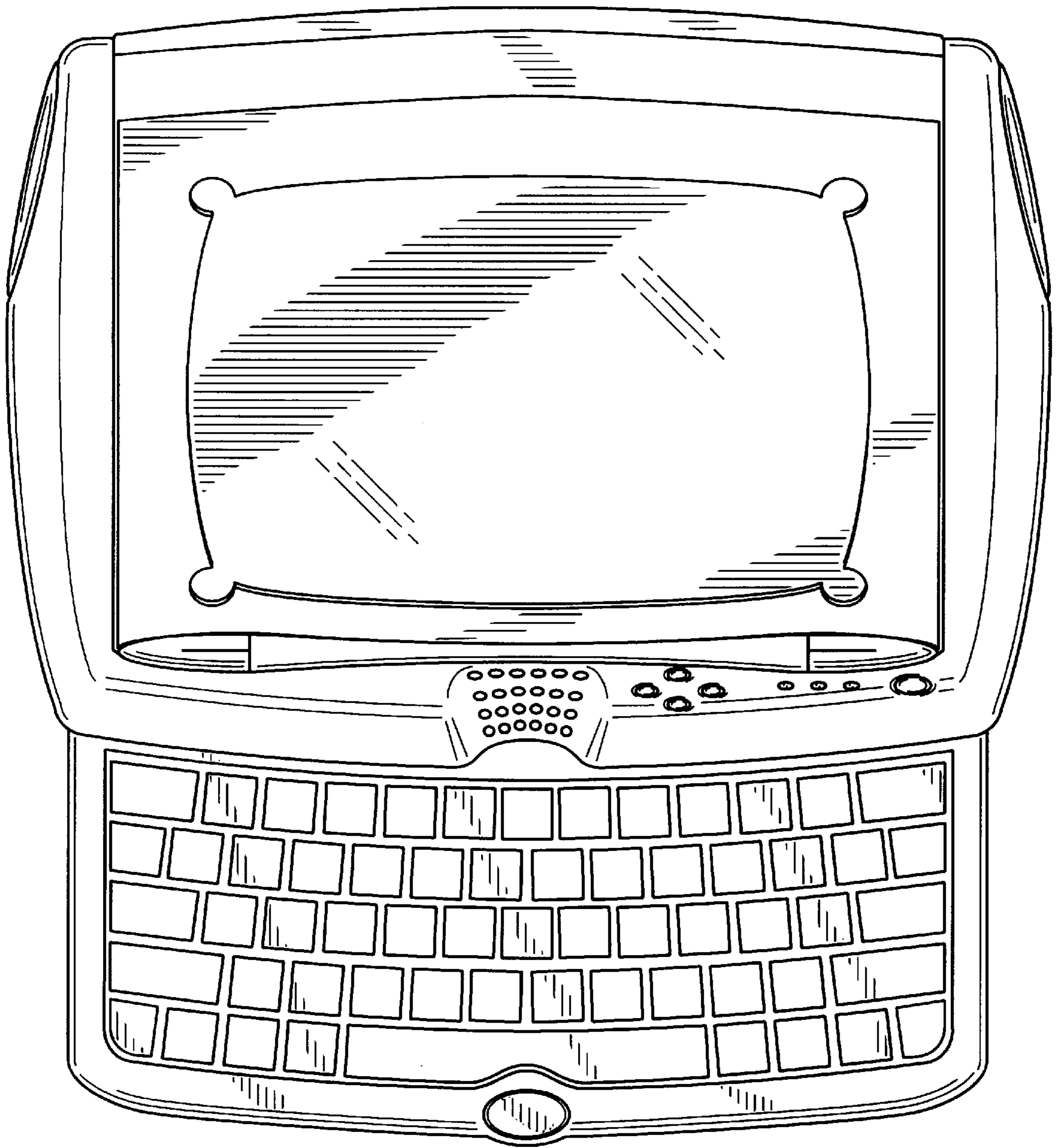


FIG. 11

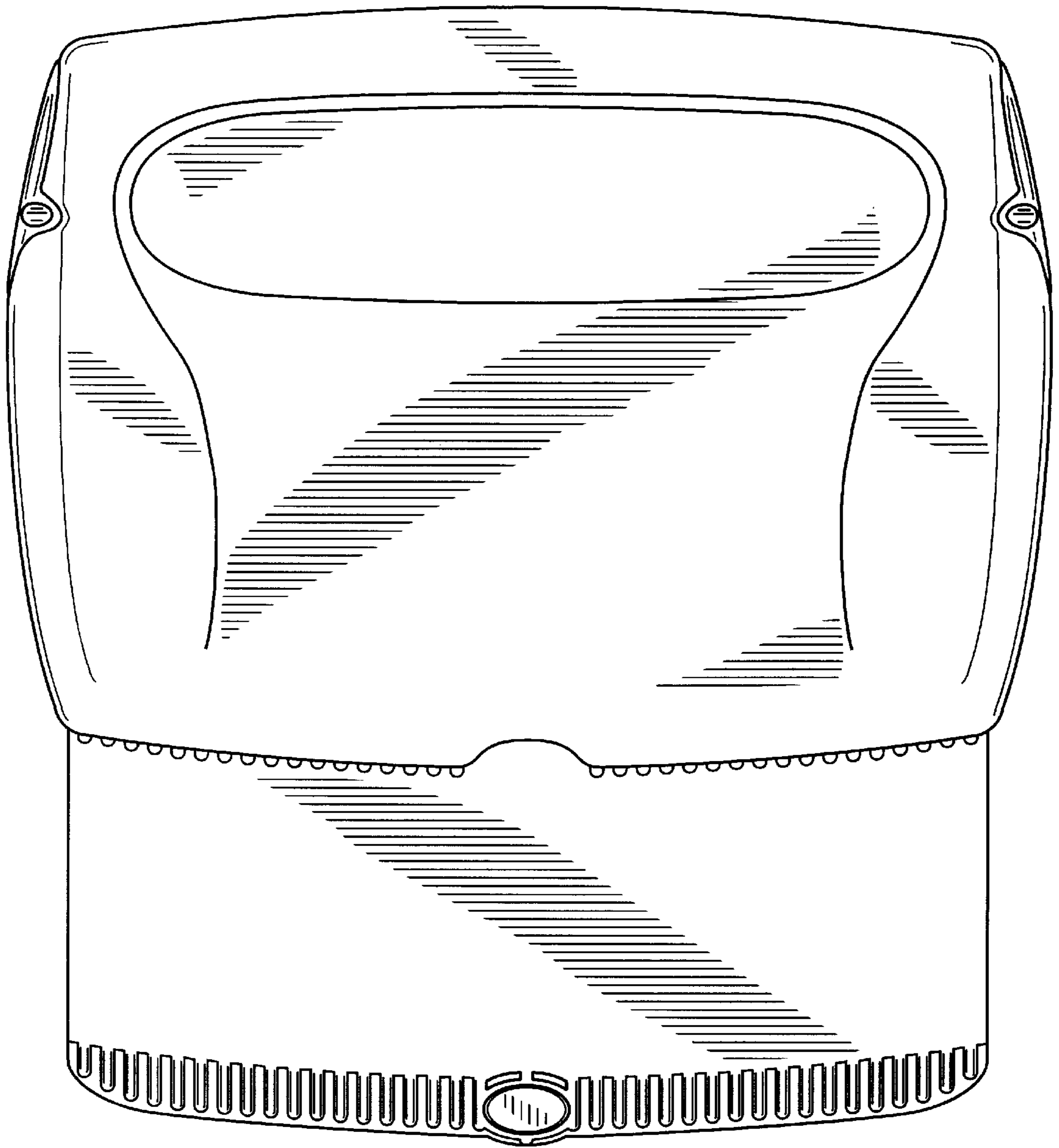


FIG. 12