



US00D437316S

(12) **United States Design Patent**  
**Lin**

(10) **Patent No.:** **US D437,316 S**

(45) **Date of Patent:** **\*\* Feb. 6, 2001**

(54) **PERSONAL COMPUTER SERVER**

D. 408,800 \* 4/1999 Renk ..... D14/356

D. 412,495 \* 8/1999 Shibata ..... D14/356

(75) Inventor: **Sha-Shu Lin**, San Jose, CA (US)

\* cited by examiner

(73) Assignee: **Eilink Corporation**, Fremont, CA (US)

*Primary Examiner*—Freda Nunn

(\*\*) Term: **14 Years**

(74) *Attorney, Agent, or Firm*—Dougherty & Troxell

(21) Appl. No.: **29/122,220**

(57) **CLAIM**

(22) Filed: **Apr. 19, 2000**

The ornamental design for a personal computer server, as shown and described.

(51) **LOC (7) Cl.** ..... **14-02**

**DESCRIPTION**

(52) **U.S. Cl.** ..... **D14/301; D14/356**

FIG. 1 is a top front and right side perspective view of

(58) **Field of Search** ..... D14/348, 349,  
D14/354, 356, 363; D13/162, 184, 199;  
D6/432, 436, 445, 448; 312/223.2, 223.3;  
360/99.12; 369/34, 36; 361/690-696, 683

personal computer server showing my new design;

FIG. 2 is a front elevational view thereof;

FIG. 3 is a rear elevational view thereof;

FIG. 4 is a left side elevational view thereof;

FIG. 5 is a right side elevational view thereof;

FIG. 6 is a top plan view thereof; and,

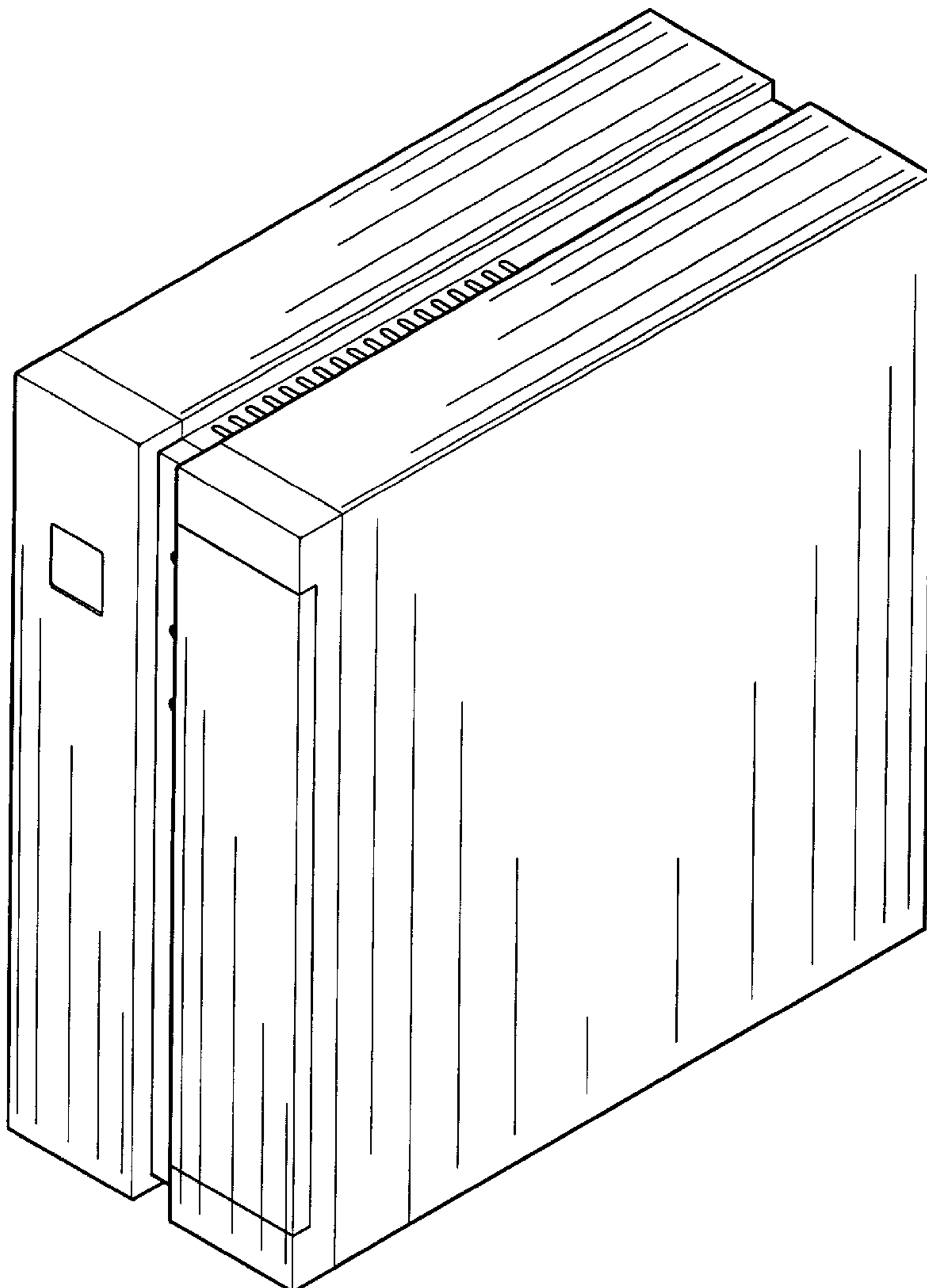
FIG. 7 is a bottom plan view thereof.

(56) **References Cited**

**U.S. PATENT DOCUMENTS**

D. 393,836 \* 4/1998 Hisatsune et al. .... D14/356

**1 Claim, 4 Drawing Sheets**



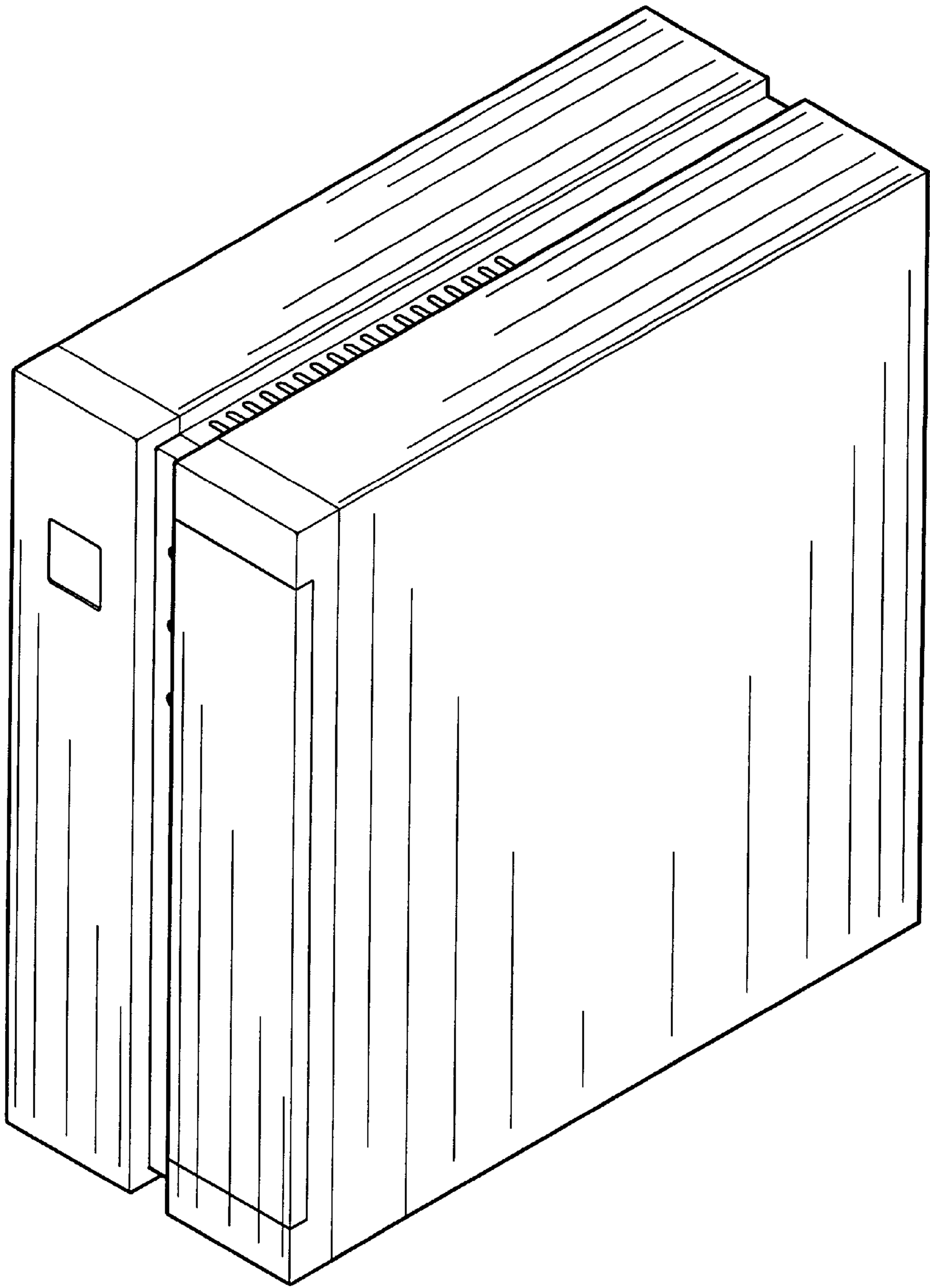


Fig. 1

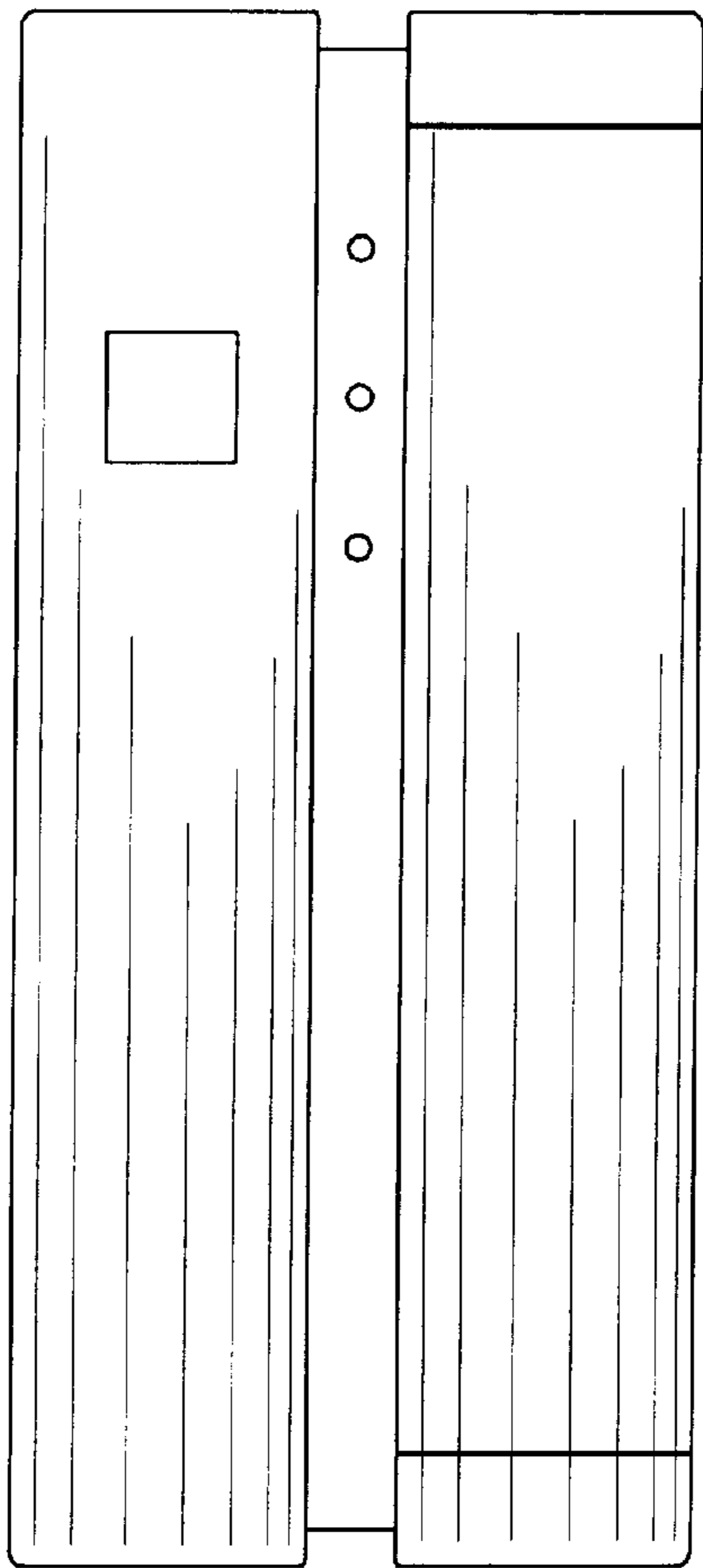


Fig. 2

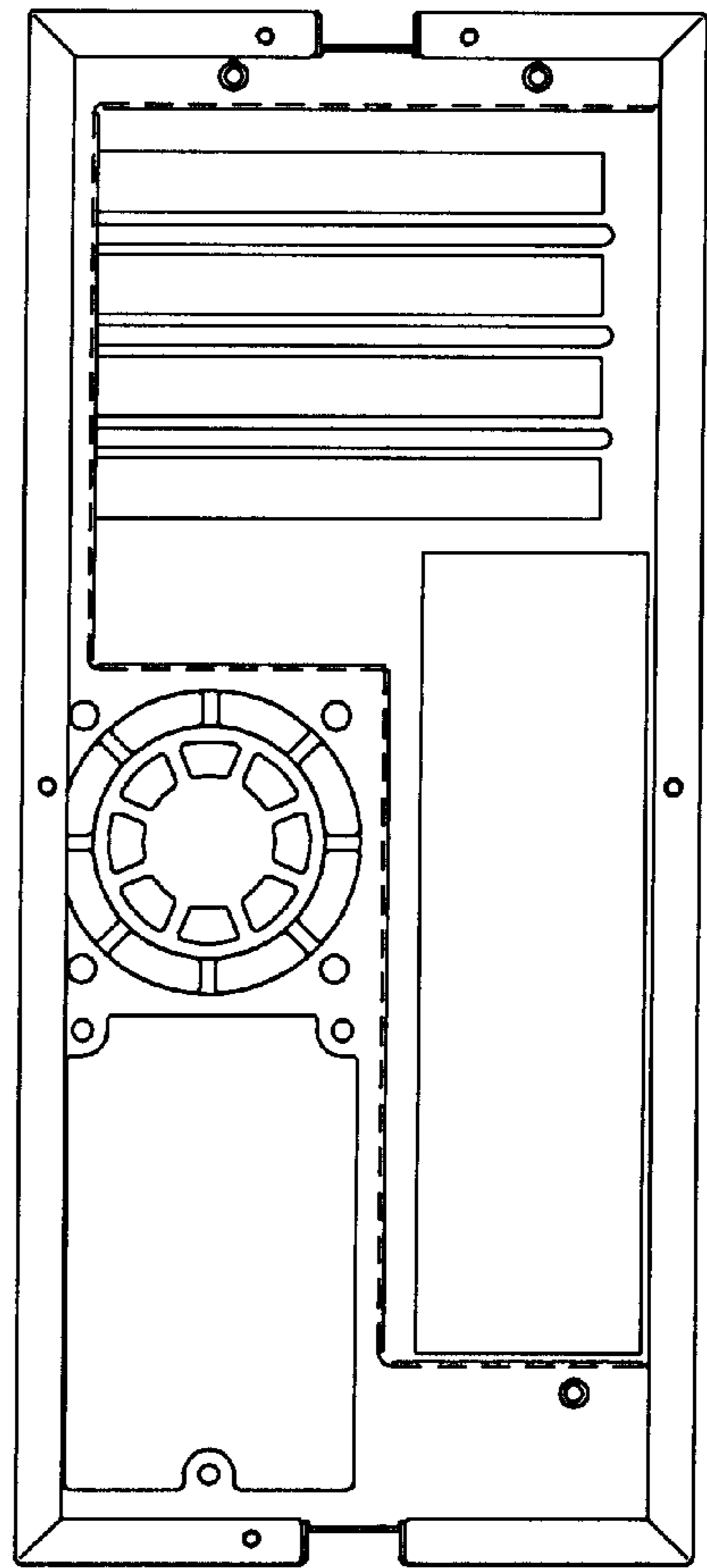


Fig. 3

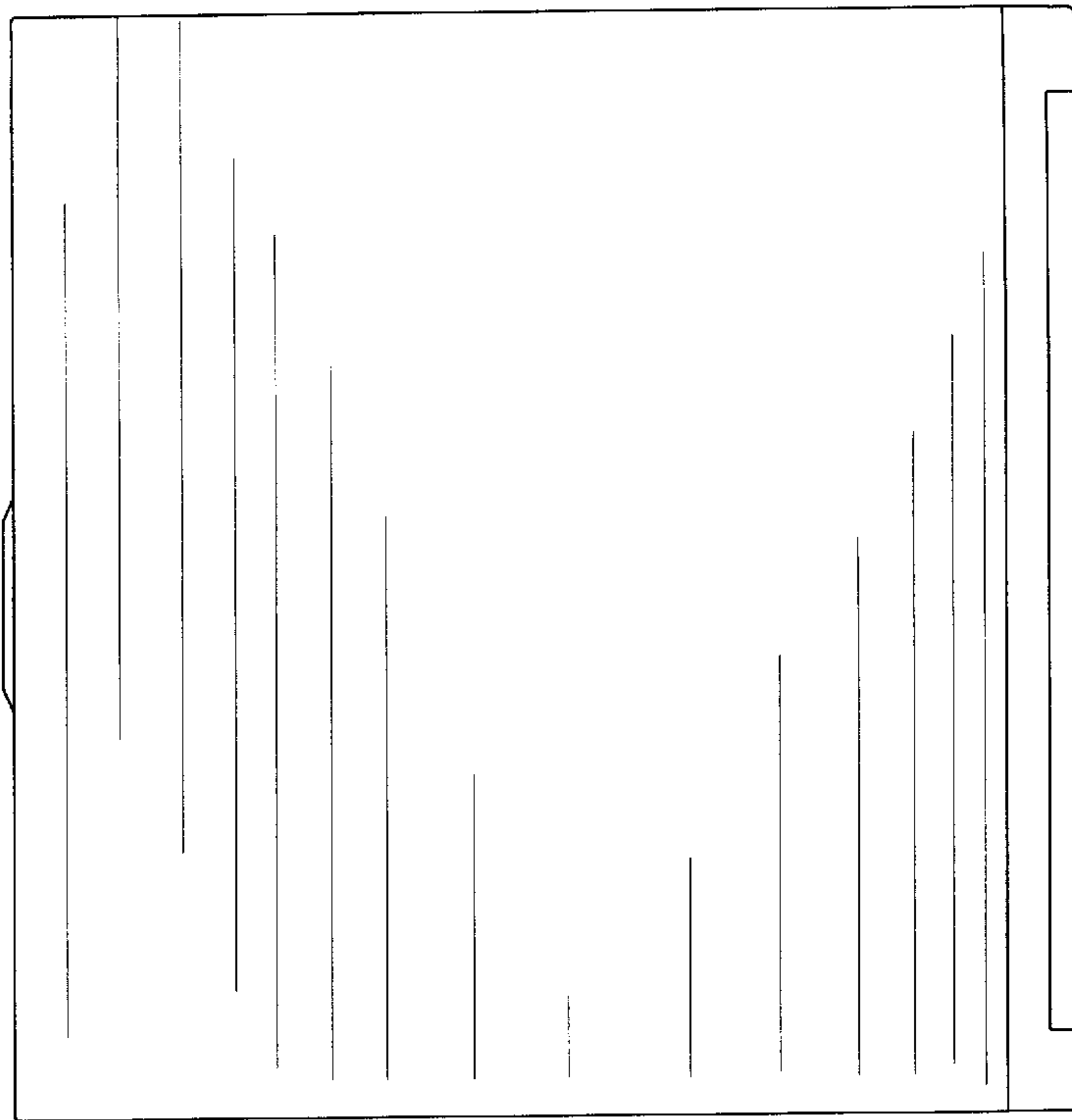


Fig. 4

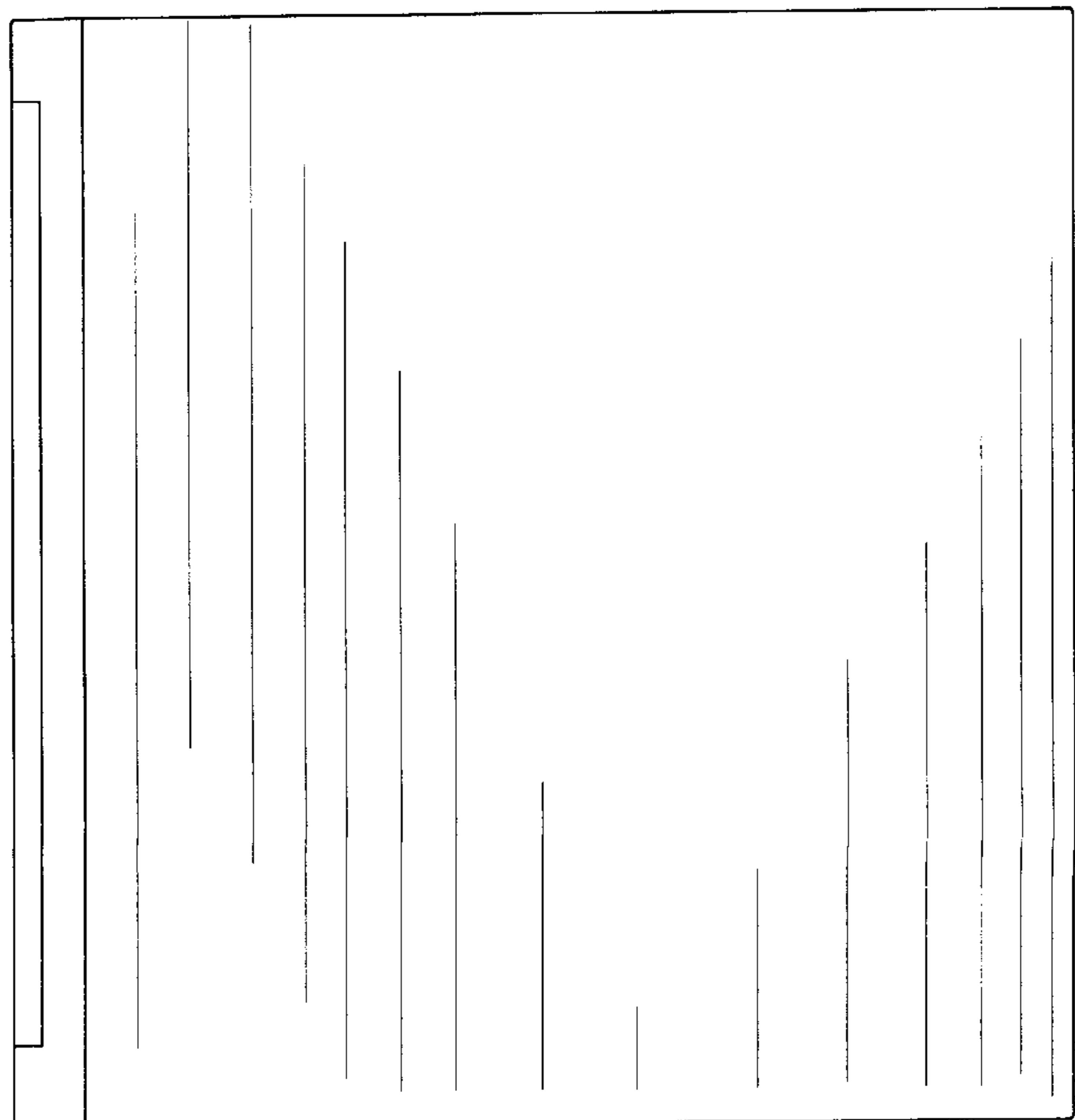


Fig. 5

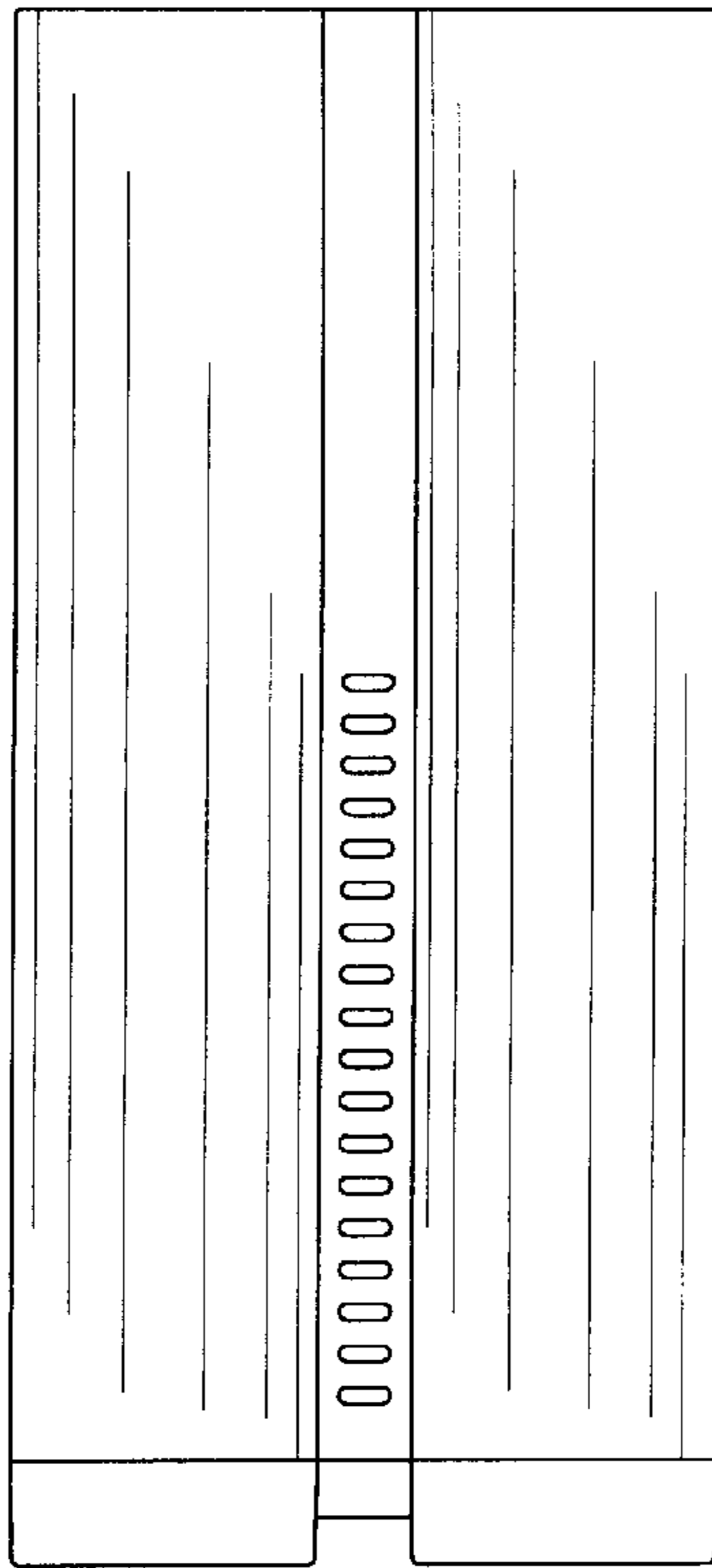


Fig. 6

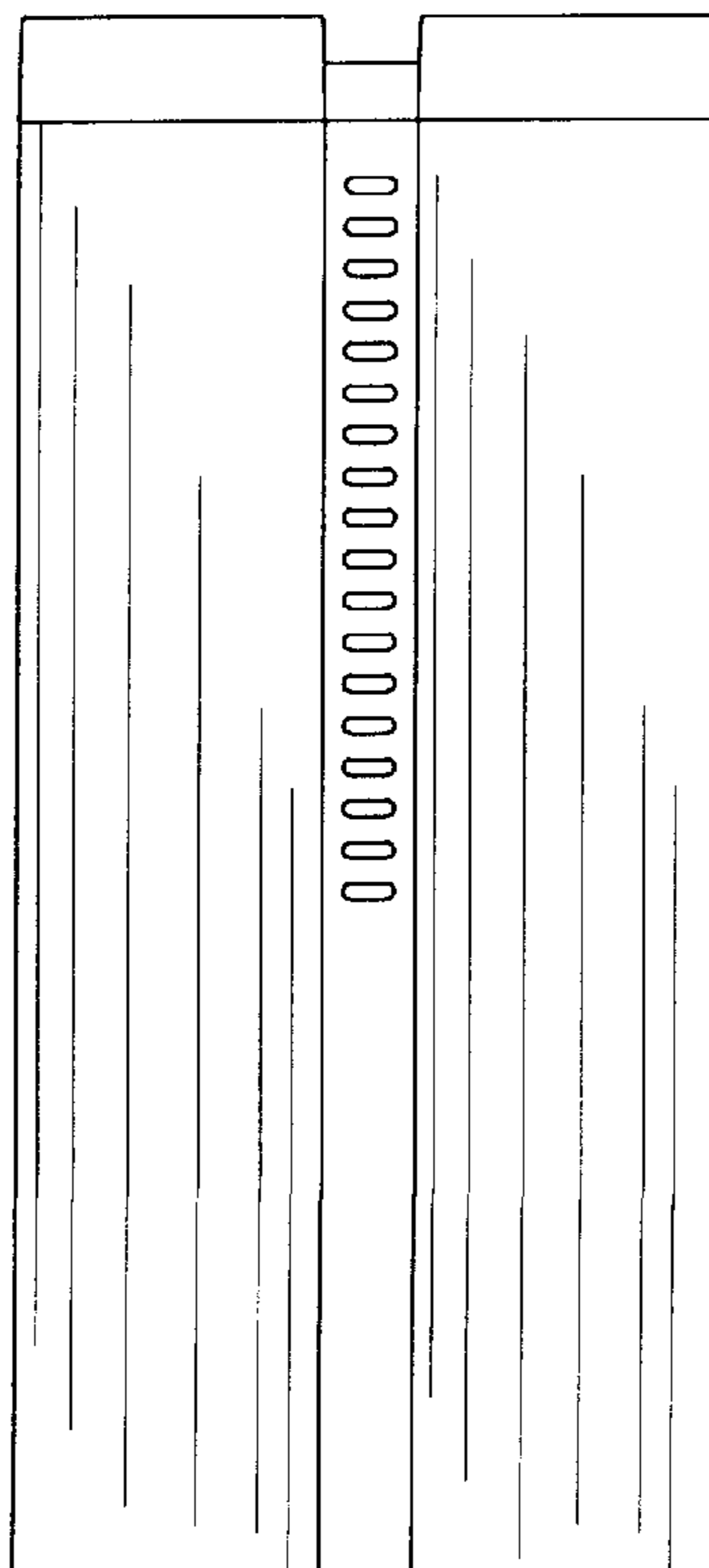


Fig. 7