



US00D437313S

(12) **United States Design Patent**
Chen et al.

(10) **Patent No.:** **US D437,313 S**

(45) **Date of Patent:** **** Feb. 6, 2001**

(54) **LOW-TIER CELL PHONE SYSTEM RADIO PORT**

(75) Inventors: **Fueng-Ho Chen**, Chung Li;
Hsu-Hsiang Tseng, Pa Te; **Der-Li Chan**, Taipei; **Ching-Tai Lu**, Chung Li, all of (TW)

(73) Assignee: **Syncomm Technology Corp.**, Taoyuan Hsien (TW)

(**) Term: **14 Years**

(21) Appl. No.: **29/119,115**

(22) Filed: **Feb. 24, 2000**

(51) **LOC (7) Cl.** **14-03**

(52) **U.S. Cl.** **D14/240; D13/152**

(58) **Field of Search** D14/137, 140, D14/142, 358, 240, 242, 308, 310, 311, 312; 379/419, 420, 428, 440, 399, 412; 455/550-575, 90; D13/184, 133, 152

(56) **References Cited**

U.S. PATENT DOCUMENTS

D. 253,281	*	10/1979	Kim	D10/121
D. 300,630	*	4/1989	Culbertson et al.	D14/138
D. 312,244	*	11/1990	Collins et al.	D13/152
D. 312,460	*	11/1990	Smith	D14/240
D. 335,650	*	5/1993	Powell et al.	D13/152
D. 340,693	*	10/1993	Brownlie et al.	D13/152
D. 346,386	*	4/1994	Brownlie et al.	D14/240
D. 349,687	*	8/1994	Khoo et al.	D13/162
D. 352,941	*	11/1994	Bolton, Jr.	D14/142

D. 355,196	*	2/1995	Nakamura	D14/240
D. 367,646	*	3/1996	Schneider et al.	D13/152
D. 385,850	*	11/1997	DiMichele	D13/152
D. 388,061	*	12/1997	Tuvy et al.	D13/152
D. 389,804	*	1/1998	Tuvy et al.	D13/152
D. 390,235	*	2/1998	Tucker et al.	D14/240
D. 395,897	*	7/1998	Honma et al.	D14/240
D. 400,506	*	11/1998	Mahoney	D13/146
D. 418,515	*	1/2000	Tucker et al.	D14/240
D. 424,523	*	5/2000	Hughes	D13/147
D. 427,180	*	6/2000	Humes et al.	D14/230
5,029,958	*	7/1991	Hodge et al.	385/100

* cited by examiner

Primary Examiner—Jeffrey Asch

(74) *Attorney, Agent, or Firm*—Dougherty & Troxell

(57) **CLAIM**

The ornamental design for low-tier cell phone system radio port, as shown and described.

DESCRIPTION

The claimed low-tier cell phone system radio port is used for low-tier cell phone system radio transmission.

FIG. 1 is a front elevational view of low-tier cell phone system radio port showing my new design;

FIG. 2 is a rear elevational view thereof;

FIG. 3 is a left elevational view thereof;

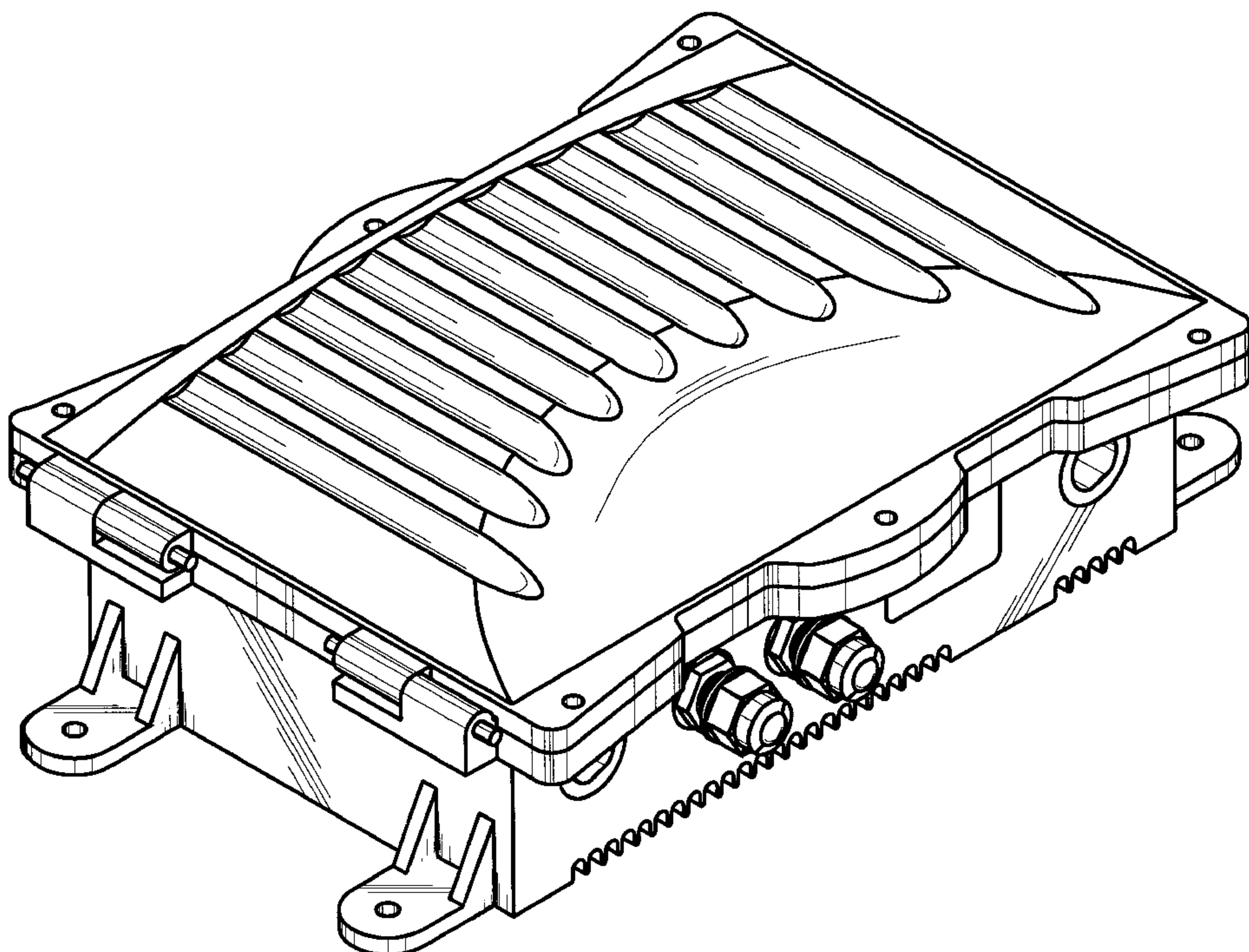
FIG. 4 is a right elevational view thereof;

FIG. 5 is a top plan view thereof;

FIG. 6 is a bottom plan view thereof; and,

FIG. 7 is a perspective view thereof.

1 Claim, 4 Drawing Sheets



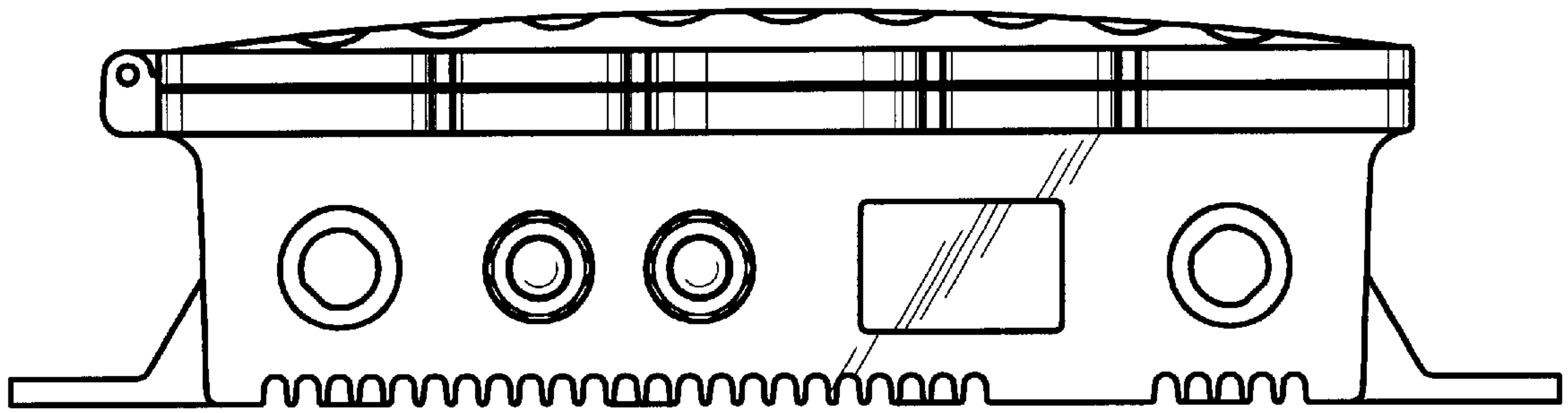


FIG. 1

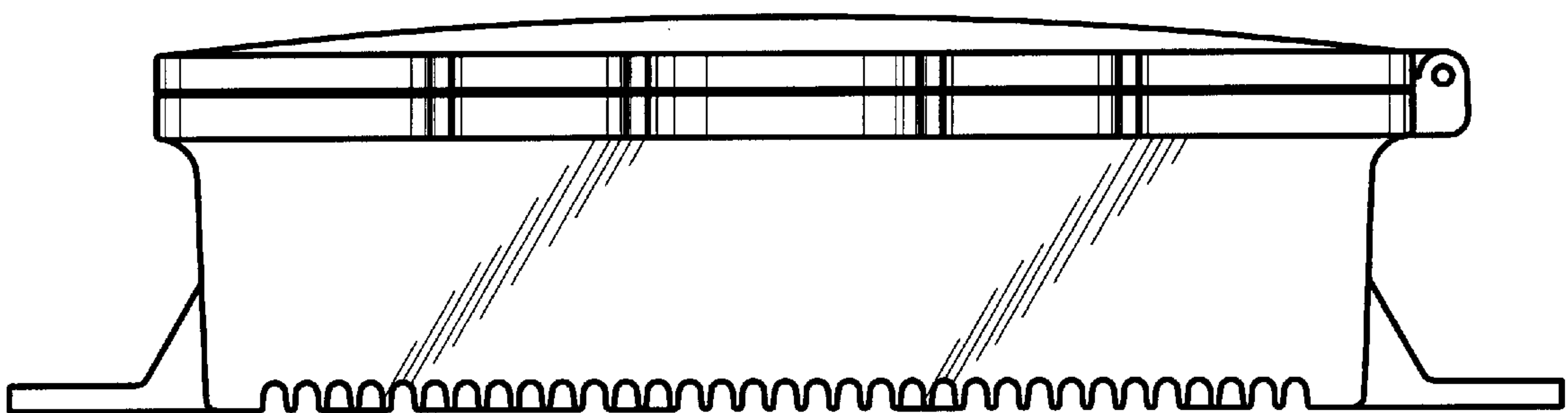


FIG. 2

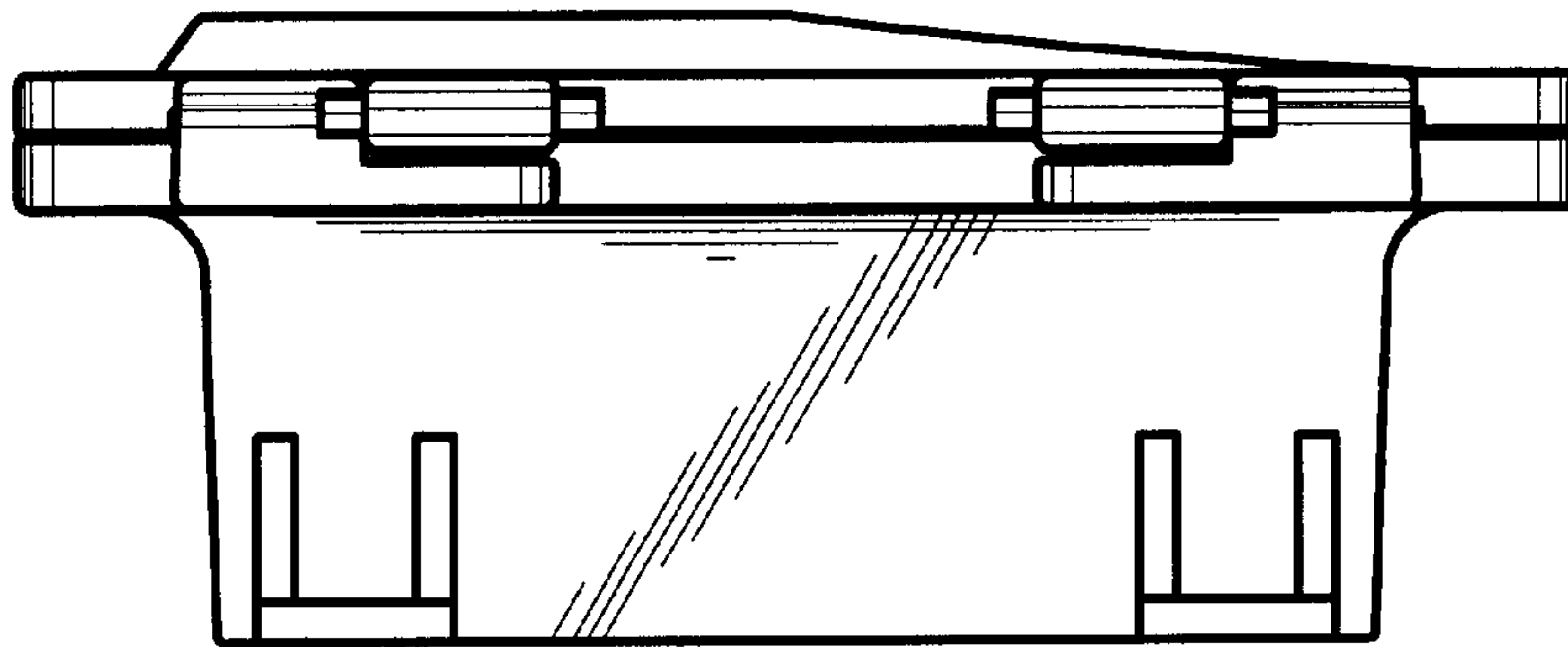


FIG. 3

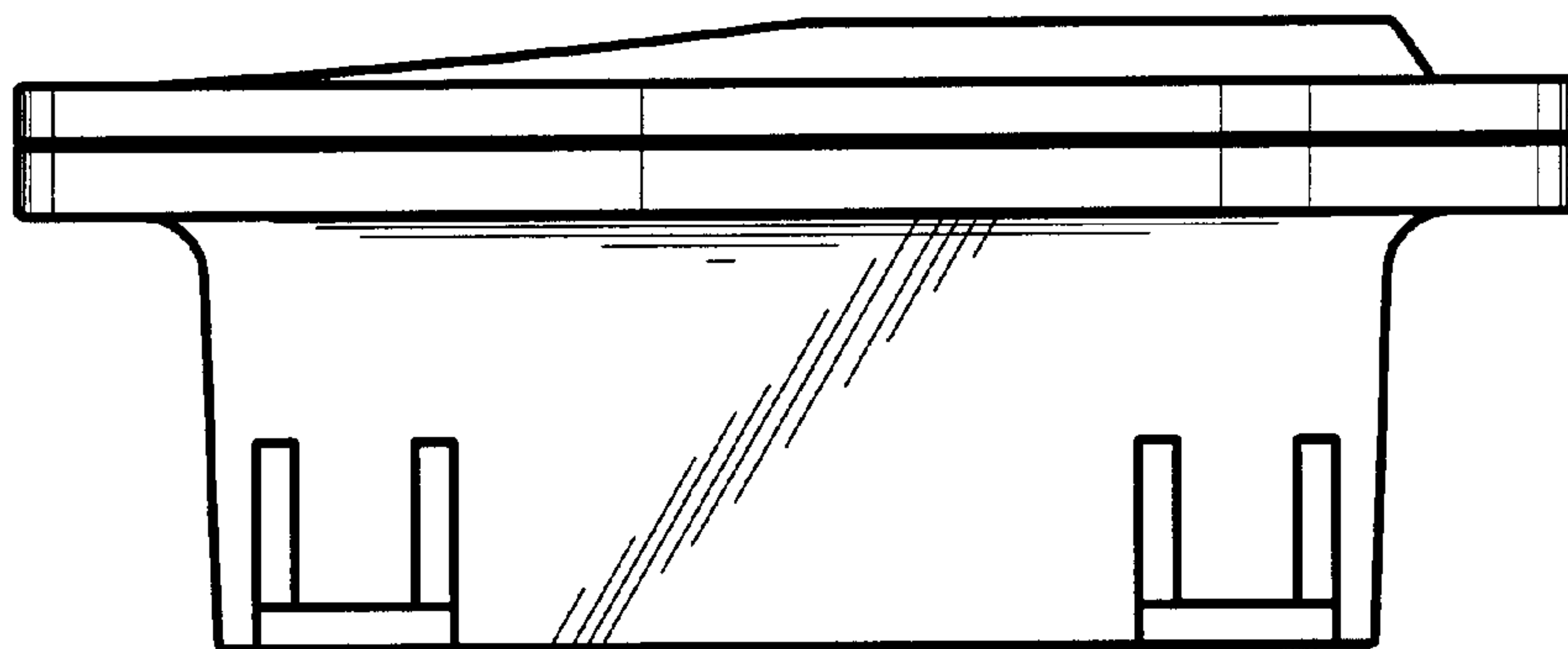


FIG. 4

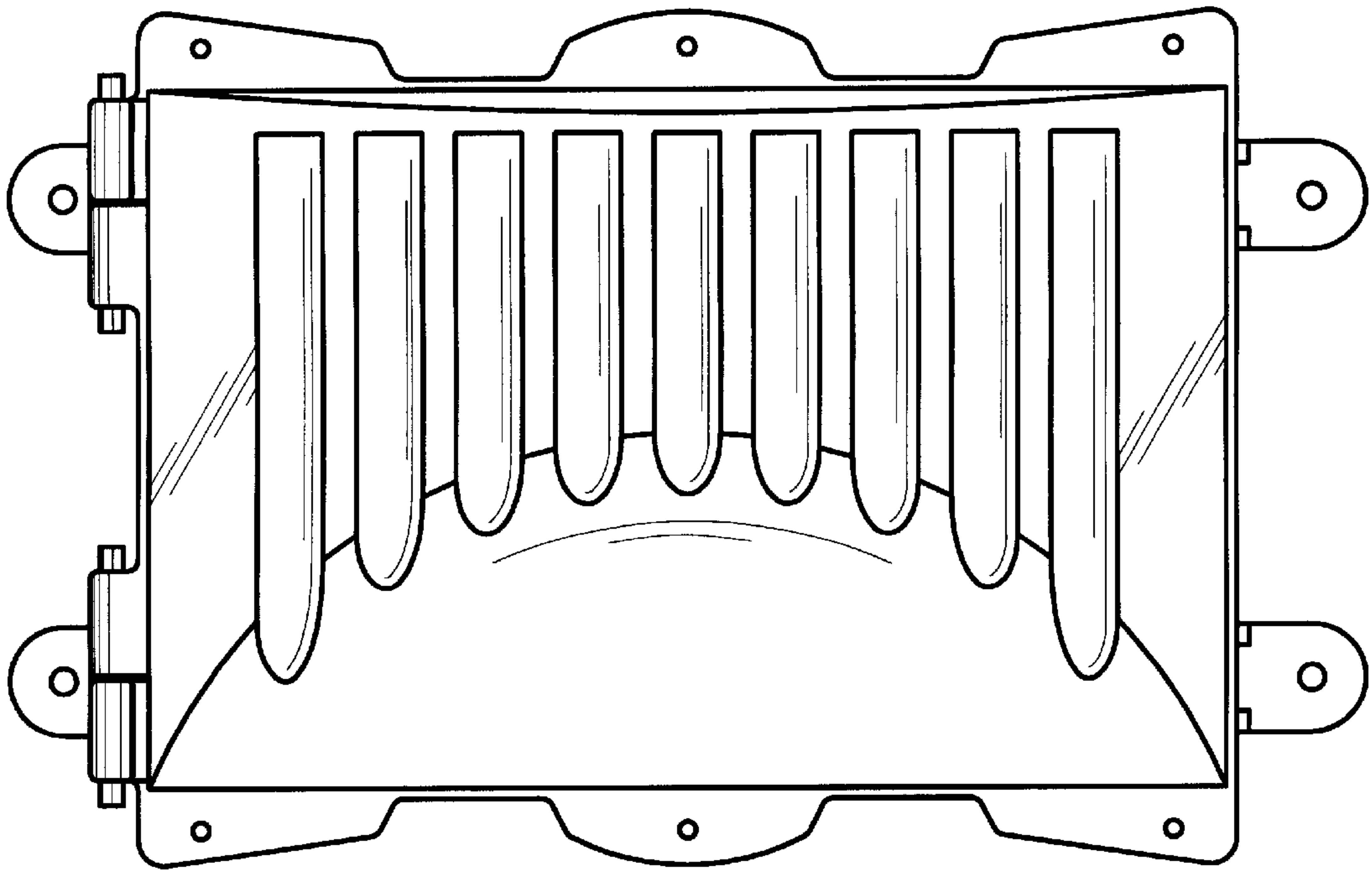


FIG. 5

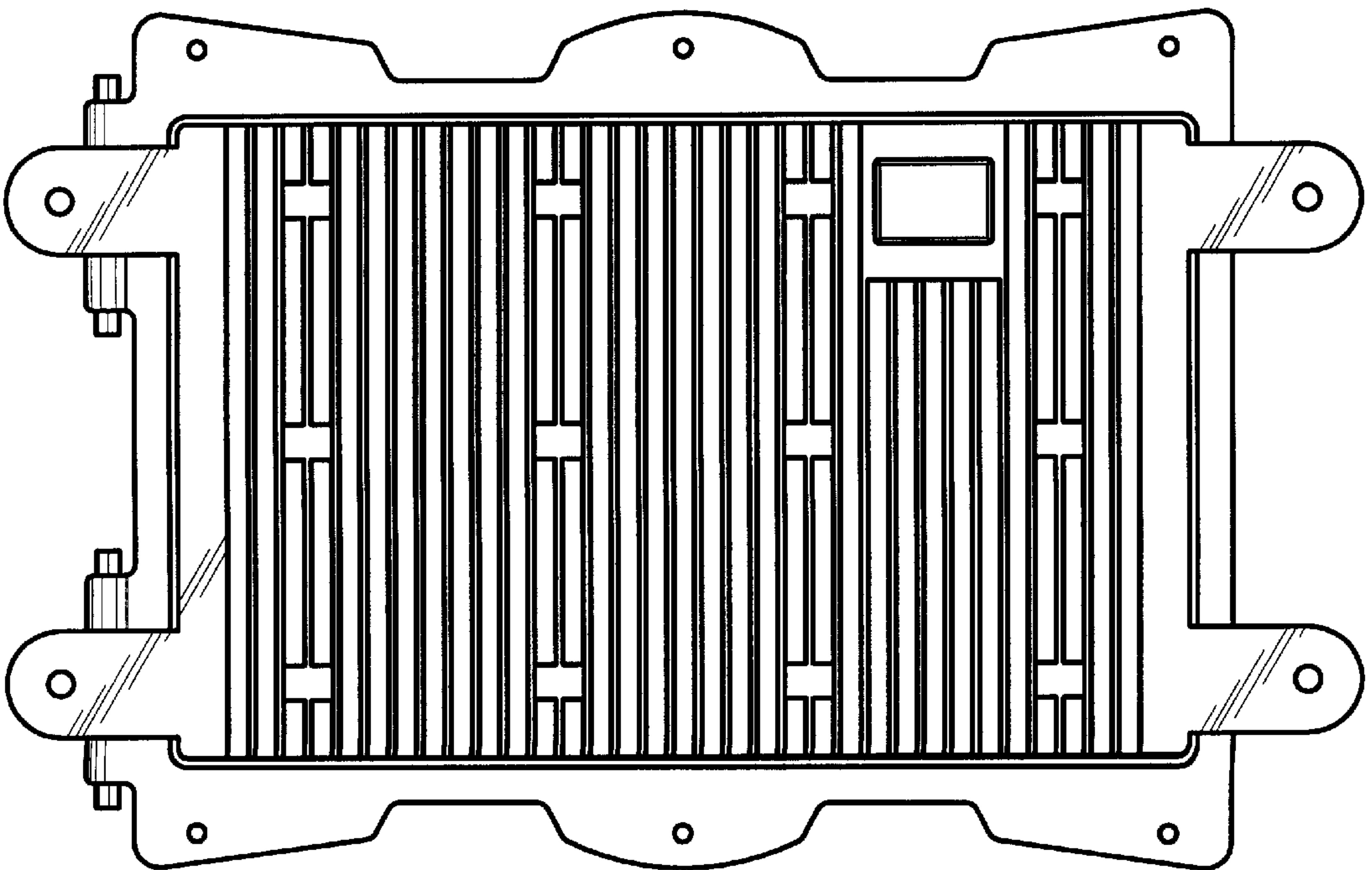


FIG. 6

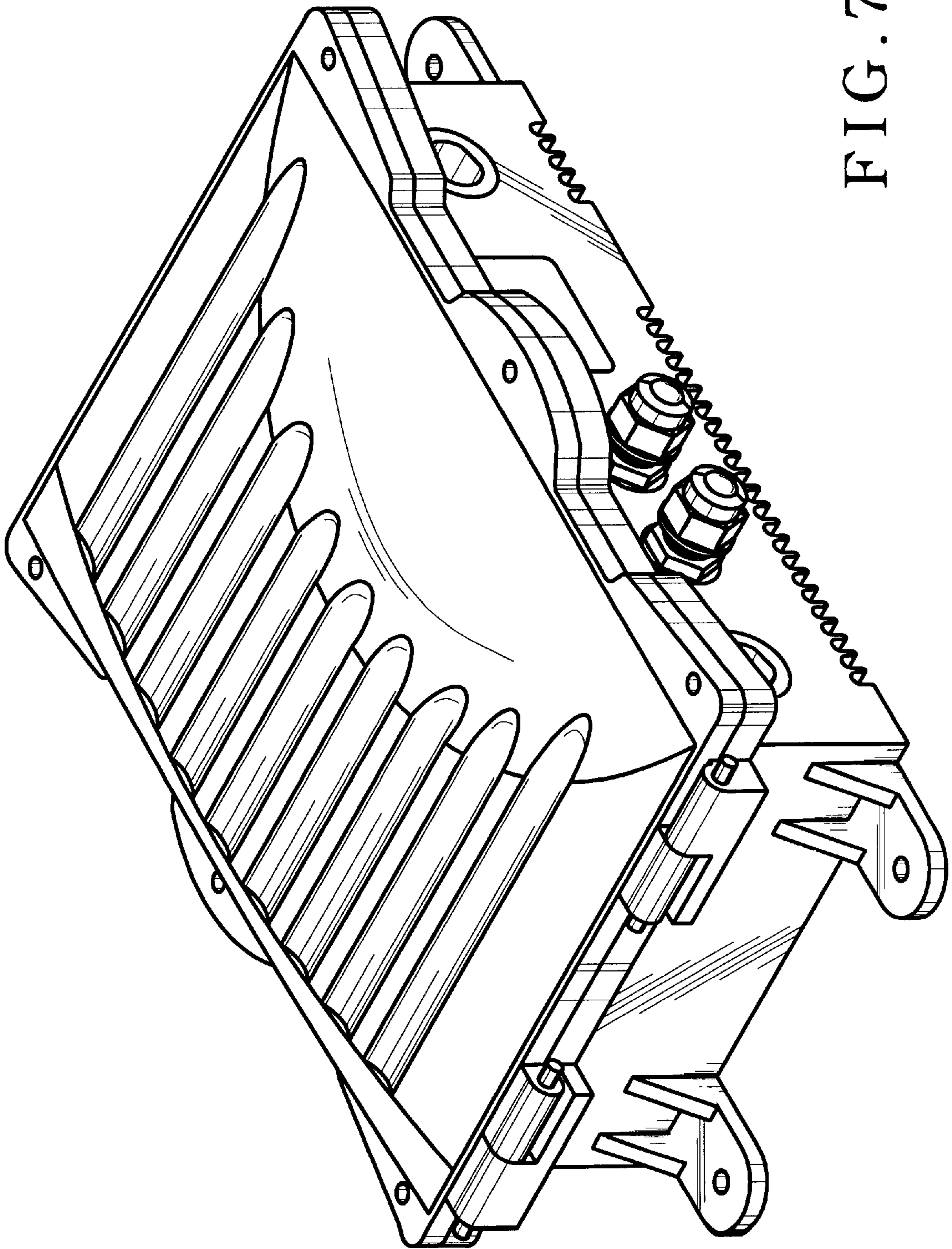


FIG. 7