



US00D437312S

(12) **United States Design Patent**
Gorman

(10) **Patent No.:** **US D437,312 S**

(45) **Date of Patent:** **** Feb. 6, 2001**

(54) **PLASTIC DOOR**

(75) Inventor: **Chris Gorman**, Ottawa (CA)

(73) Assignee: **Mitel Corporation**, Ontario (CA)

(**) Term: **14 Years**

(21) Appl. No.: **29/106,430**

(22) Filed: **Jun. 16, 1999**

(30) **Foreign Application Priority Data**

Dec. 16, 1998 (CA) 1998-2976

(51) **LOC (7) Cl.** **14-03**

(52) **U.S. Cl.** **D14/240; D6/492**

(58) **Field of Search** D14/137, 140,
D14/142, 358, 241, 240, 242, 155, 308,
310, 159, 311, 312, 441; 379/419, 420,
428, 440, 399, 412; 455/550-575, 90; D13/184,
133, 152, 162; D6/492

(56) **References Cited**

U.S. PATENT DOCUMENTS

- D. 236,897 * 9/1975 Siegel et al. D14/311
- D. 299,856 * 2/1989 Mowrey D23/347
- D. 305,133 * 12/1989 Gutknecht D21/385
- D. 325,569 * 4/1992 Buchanan et al. D13/184
- D. 325,902 * 5/1992 Hudson et al. D13/184
- D. 342,249 * 12/1993 Beaumont et al. D14/142
- D. 348,674 * 7/1994 Lindeman et al. D14/240
- D. 349,687 * 8/1994 Khoo et al. D13/162
- D. 367,859 * 3/1996 Beaumont et al. D14/142

- D. 374,673 * 10/1996 Beaumont et al. D14/240
- D. 375,424 * 11/1996 Burwick D6/492
- D. 390,525 * 2/1998 Antos et al. D12/196
- D. 390,571 * 2/1998 Smith et al. D14/240
- D. 390,850 * 2/1998 Larson et al. D14/257
- D. 391,267 * 2/1998 Lindeman et al. D14/257
- D. 401,568 * 11/1998 Alden et al. D13/184
- D. 411,185 * 6/1999 Isshiki D14/107
- D. 419,093 * 1/2000 Reekie et al. D10/106
- 2,797,840 * 7/1957 Gibbs 220/840

* cited by examiner

Primary Examiner—Jeffrey Asch

(74) *Attorney, Agent, or Firm*—Staas & Halsey LLP

(57) **CLAIM**

The ornamental design for a plastic door, as shown and described.

DESCRIPTION

FIG. 1 is a perspective view of a plastic door in accordance with my design;

FIG. 2 is a left side elevation view of the plastic door shown in FIG. 1;

FIG. 3 is a right side elevation view of the plastic door shown in FIG. 1;

FIG. 4 is a plan view of the plastic door shown in FIG. 1, the top and bottom views being the same in appearance and both represented by this plan view; and,

FIG. 5 is a front elevation view of the plastic door shown in FIG. 1.

1 Claim, 2 Drawing Sheets

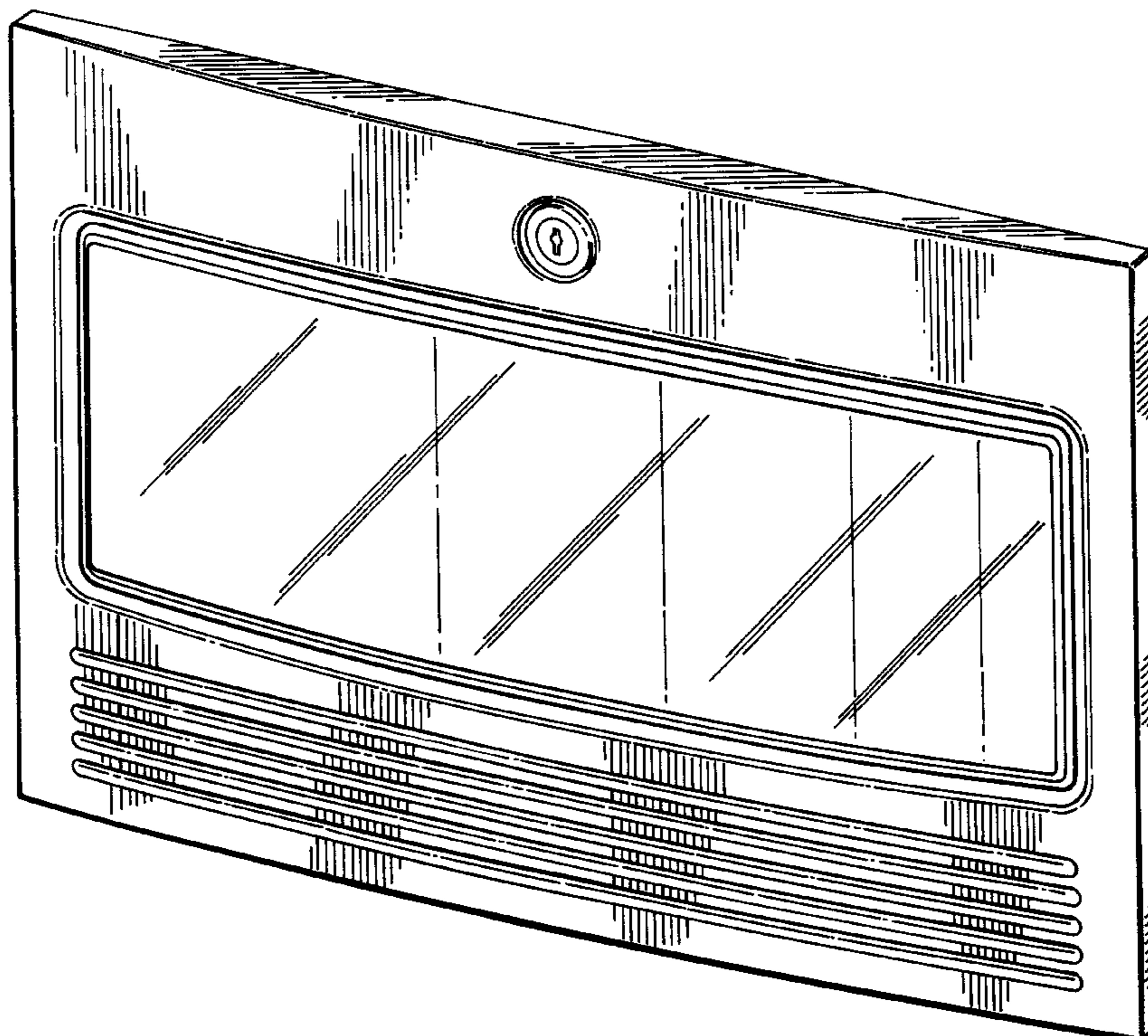


FIG.1.

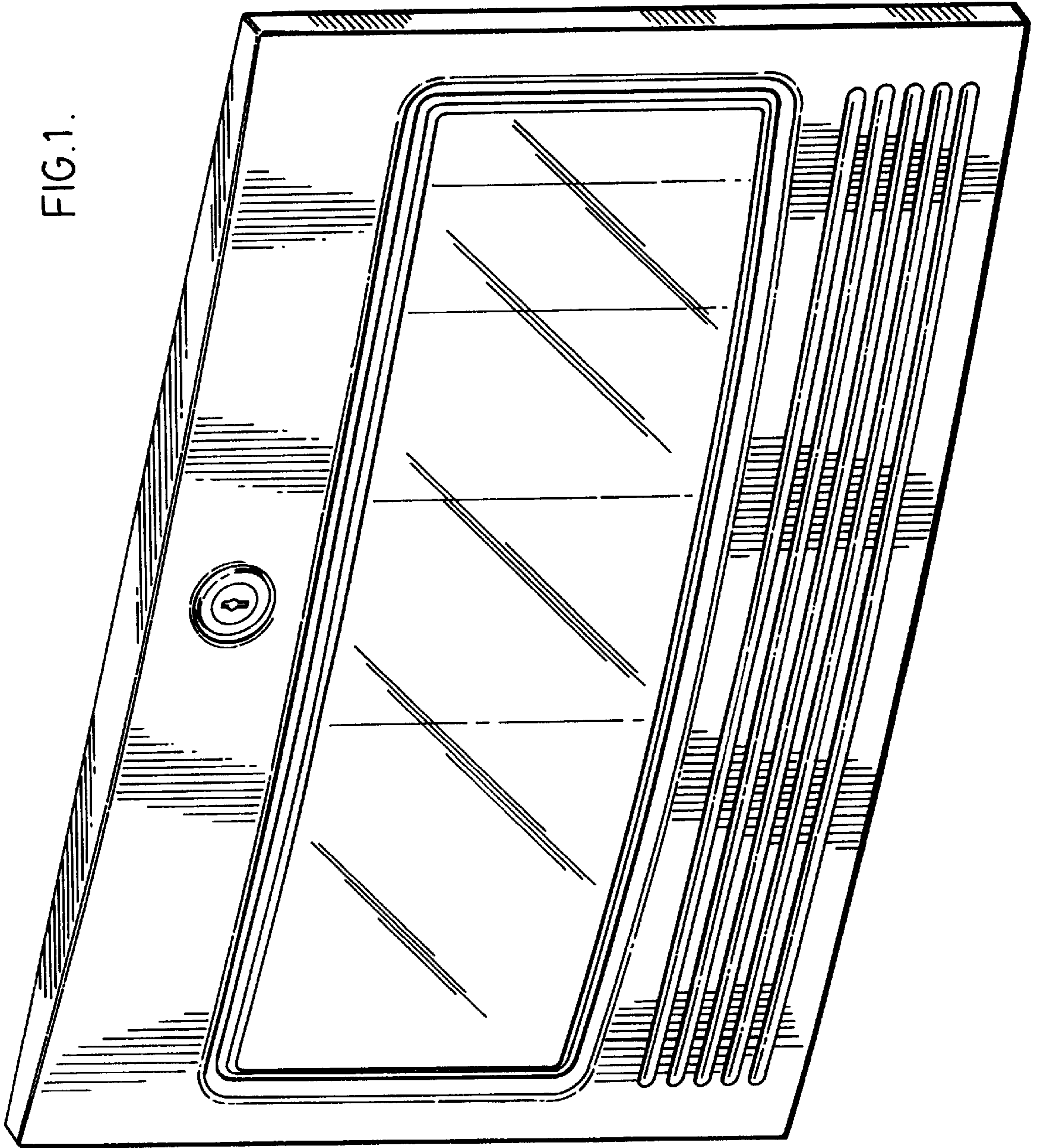




FIG. 2.

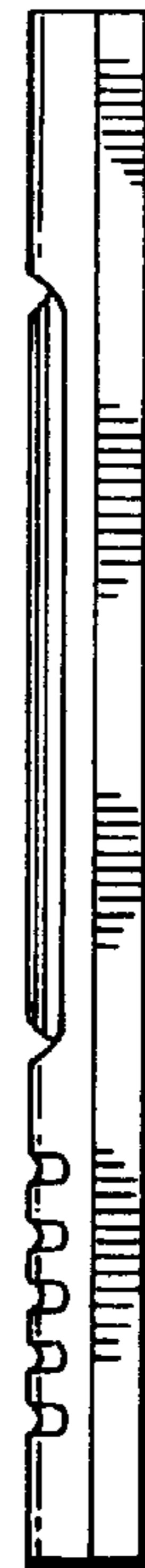


FIG. 3.



FIG. 4.

FIG. 5.

