



US00D437309S

(12) **United States Design Patent**
Brennan

(10) **Patent No.:** **US D437,309 S**

(45) **Date of Patent:** **** Feb. 6, 2001**

(54) **TELEVISION REMOTE CONTROL**

(76) **Inventor:** **Mark Brennan**, 1326 Crestview Dr.,
Shelby, NC (US) 28150

(**) **Term:** **14 Years**

(21) **Appl. No.:** **29/104,038**

(22) **Filed:** **Apr. 27, 1999**

(51) **LOC (7) Cl.** **14-03**

(52) **U.S. Cl.** **D14/218; D21/548; D12/92**

(58) **Field of Search** D14/217, 218,
D14/124, 299; D10/104, 106; D21/566,
548, 550; 348/734; 455/151.1-151.4, 352-355,
152.1; 200/331; D12/86, 91, 92

(56) **References Cited**

U.S. PATENT DOCUMENTS

D. 375,271	*	11/1996	Battah	D10/104
D. 377,352	*	1/1997	Bird et al.	D14/218
D. 408,456	*	4/1999	Garner	D21/550
5,675,427	*	10/1997	Miller	D14/218

* cited by examiner

Primary Examiner—Louis S. Zarfaz

Assistant Examiner—Gregory Andoll

(74) *Attorney, Agent, or Firm*—Watson Cole Grindle
Watson, P.L.L.C.

(57) **CLAIM**

The ornamental design for a television remote control, as shown and described.

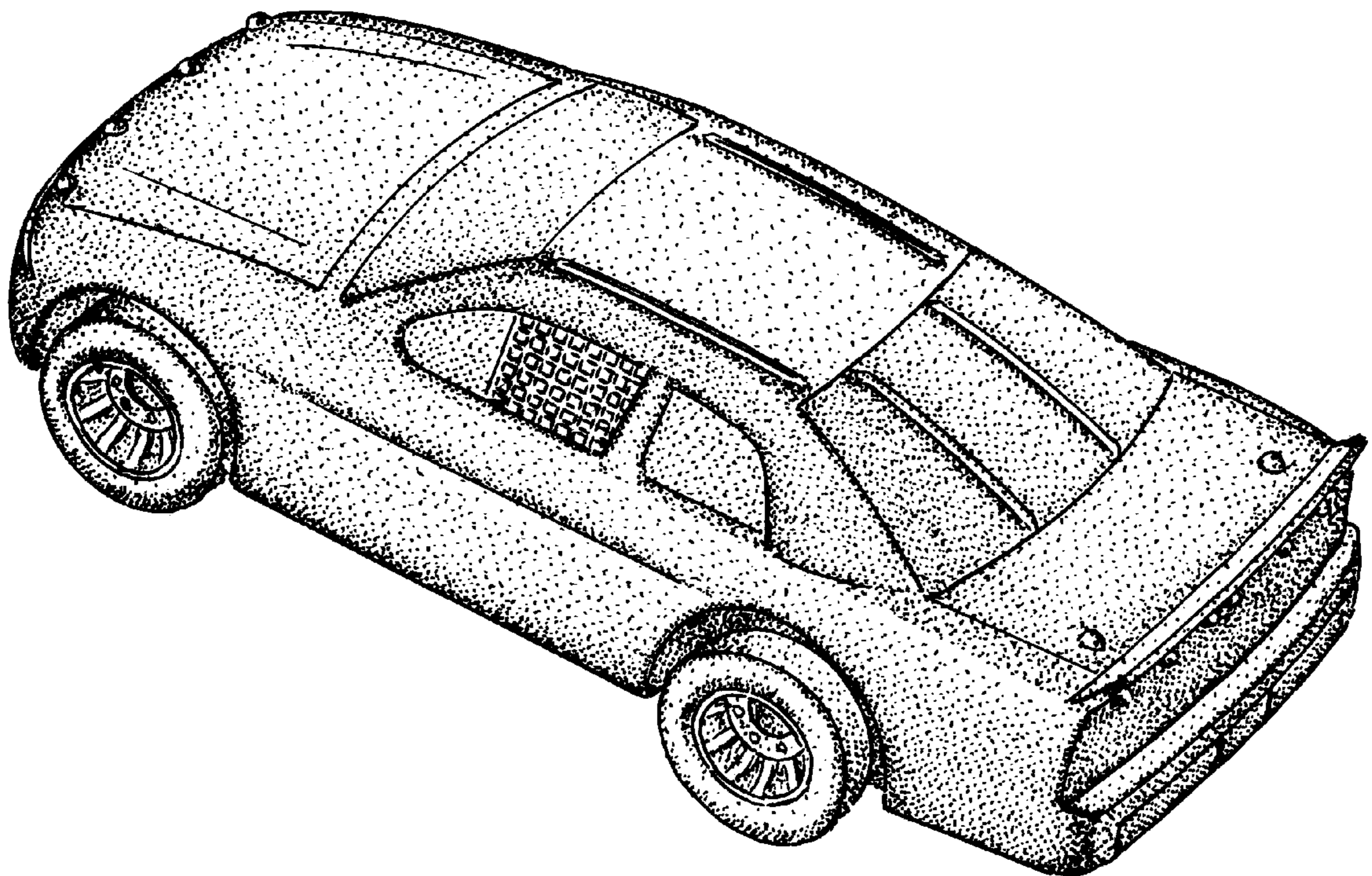
DESCRIPTION

FIG. 1 is a top perspective view of an ornamental design for a television remote control according to my invention, FIG. 2 is a right side elevational view thereof, FIG. 3 is a top plan view thereof, FIG. 4 is a left side elevational view thereof, FIG. 5 is a front elevational view thereof, FIG. 6 is a rear elevational view thereof; and, FIG. 7 is a bottom plan view thereof.

The broken lines which border the shaded portions of the claimed design form no part thereof.

The broken line showing of the grooves on the battery door in FIG. 7 is for illustrative purposes only and forms no part of the claimed design.

1 Claim, 3 Drawing Sheets



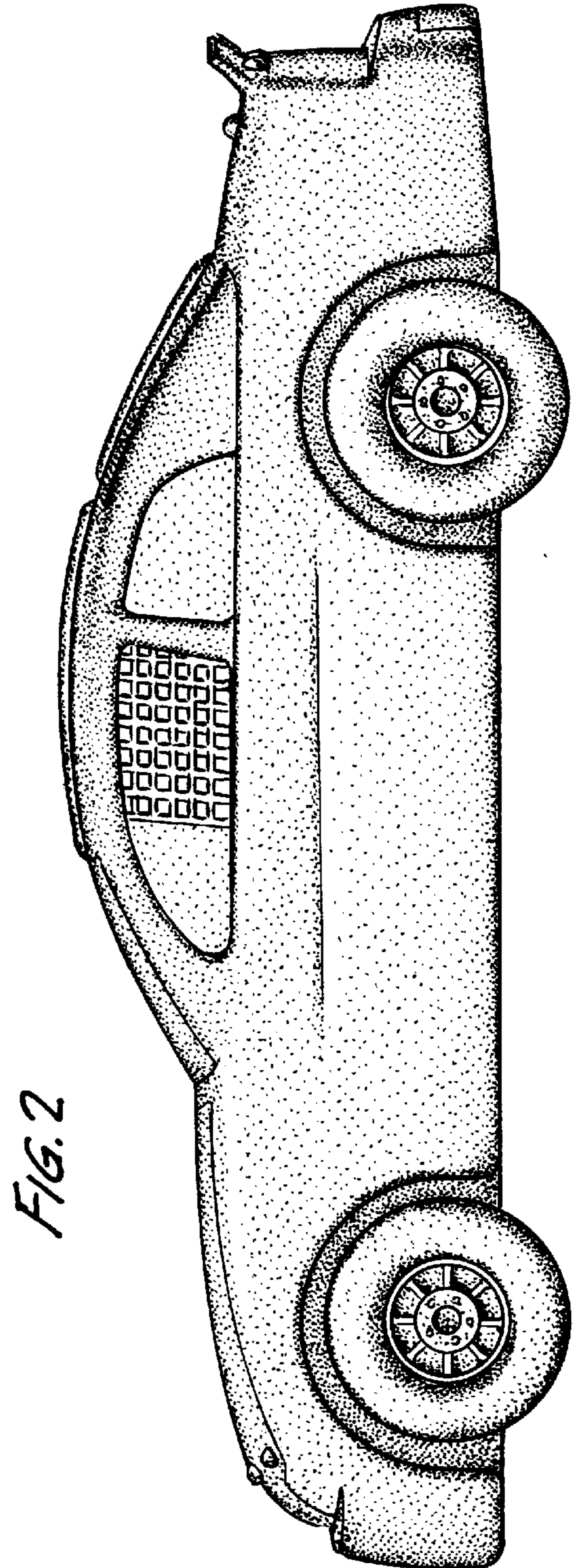
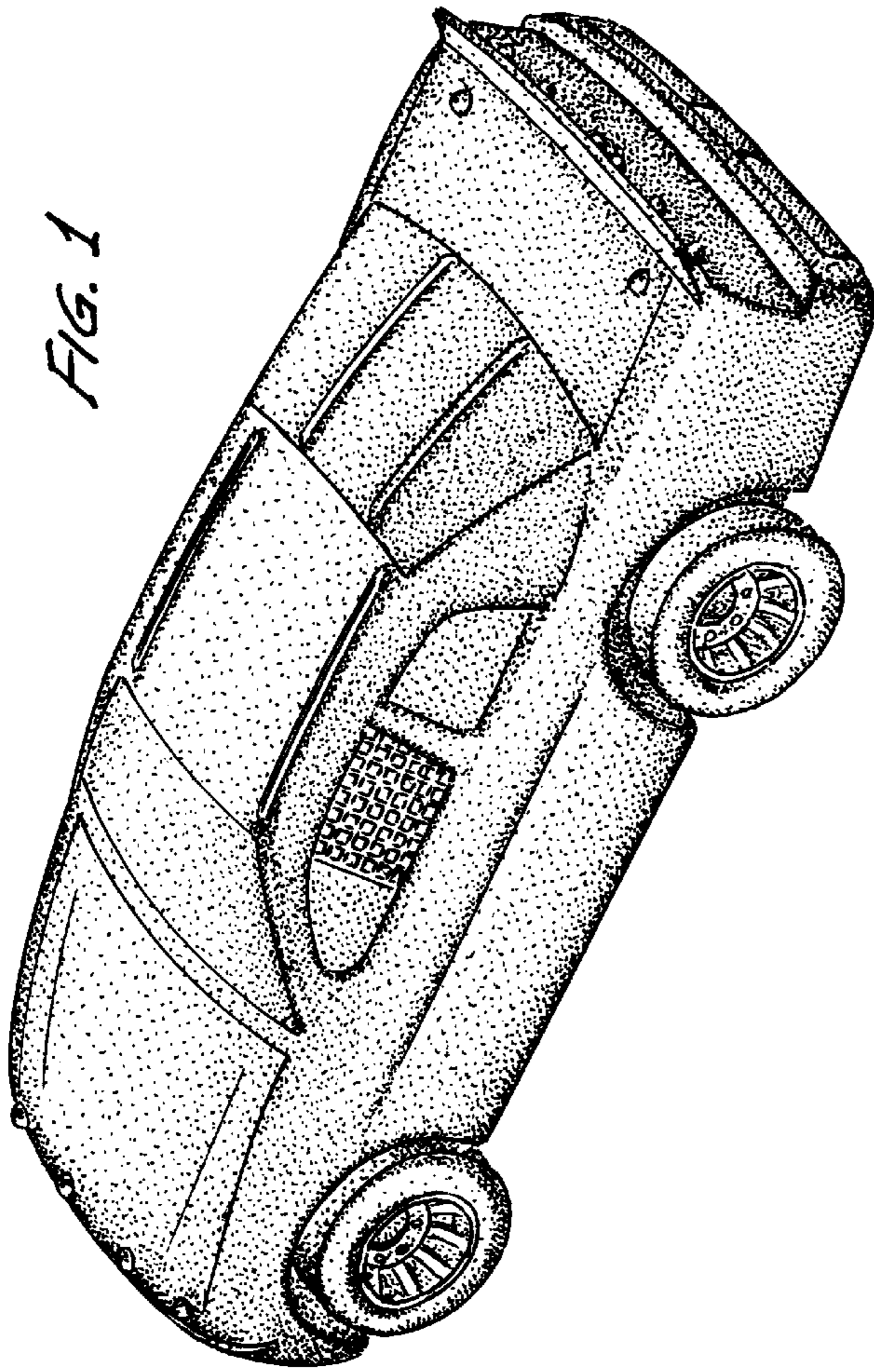


FIG. 3

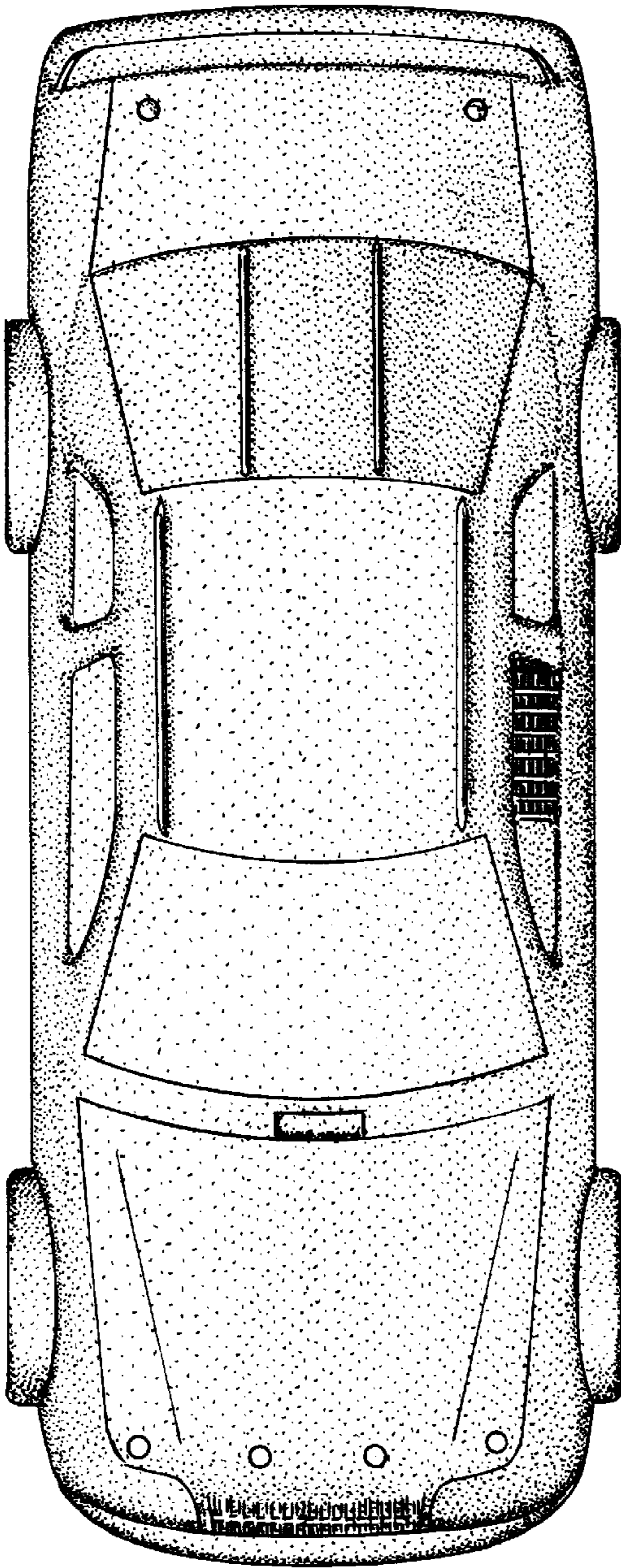


FIG. 4

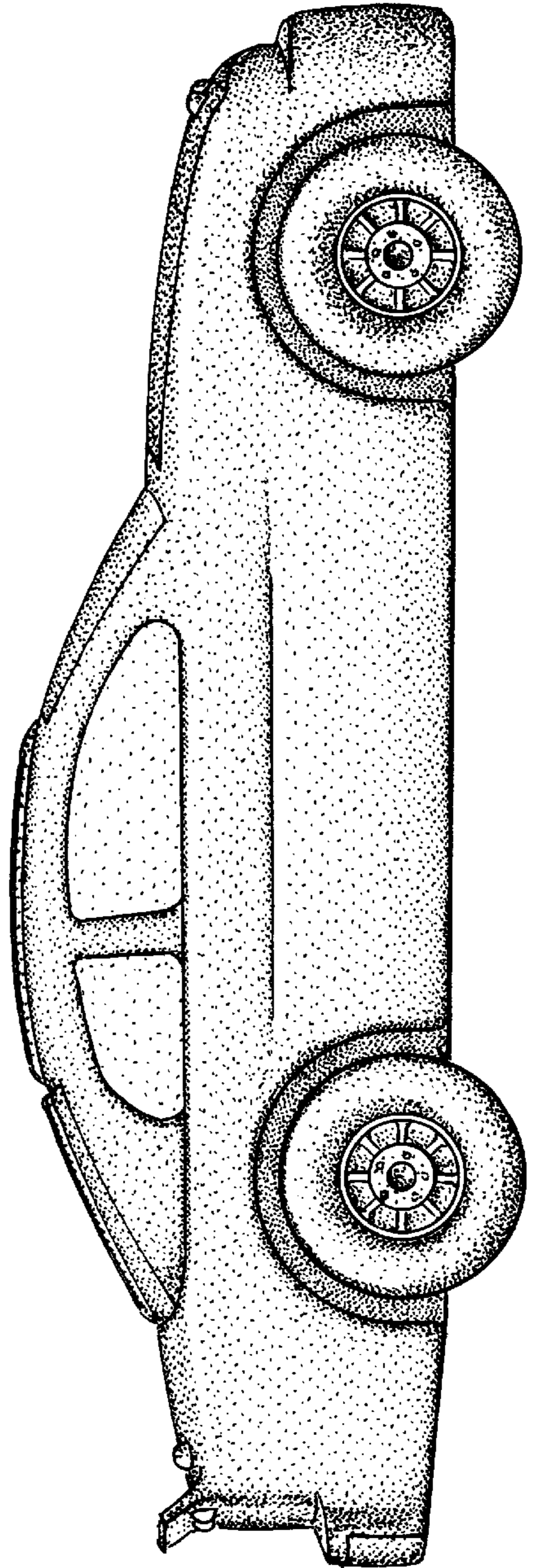


FIG. 6

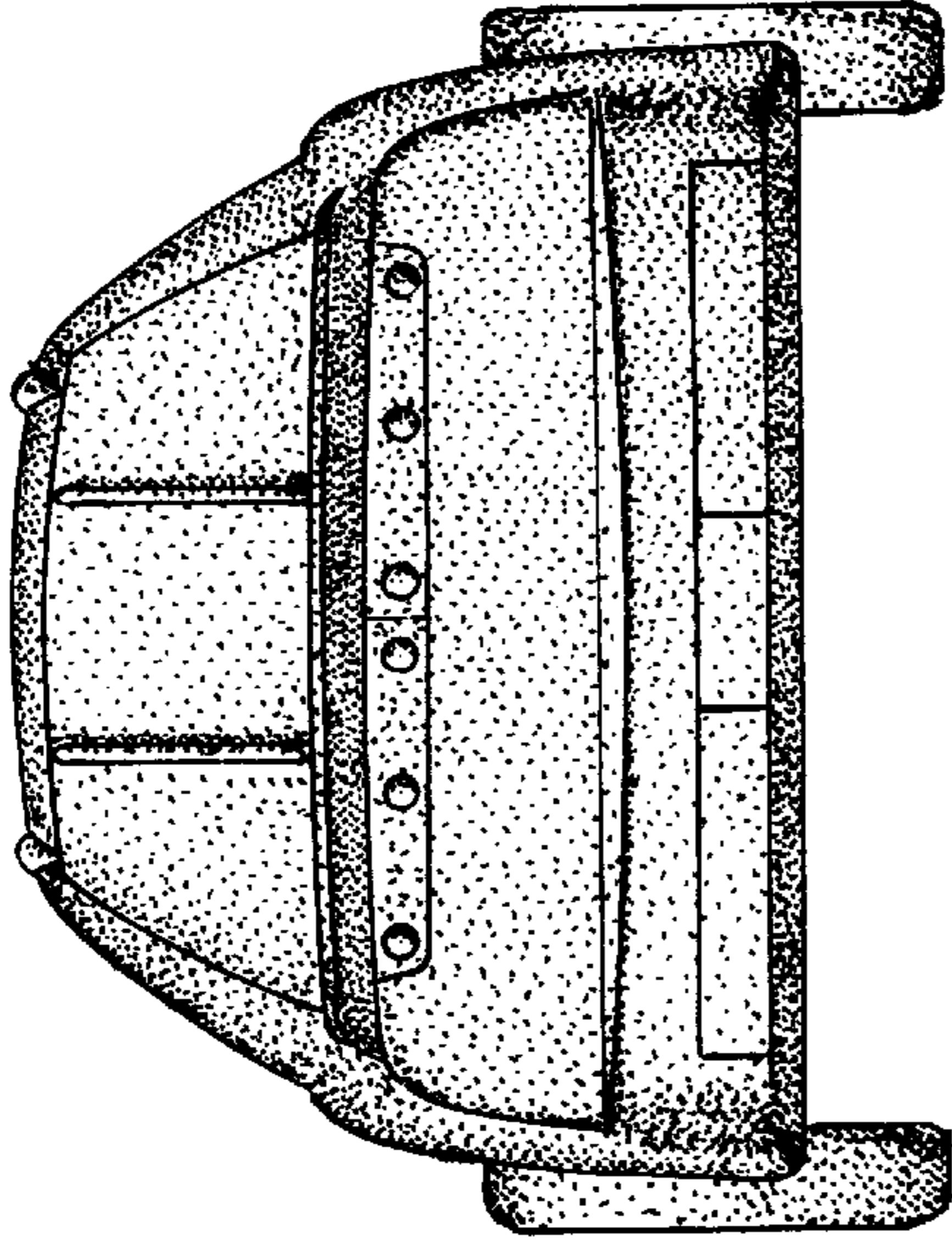


FIG. 5

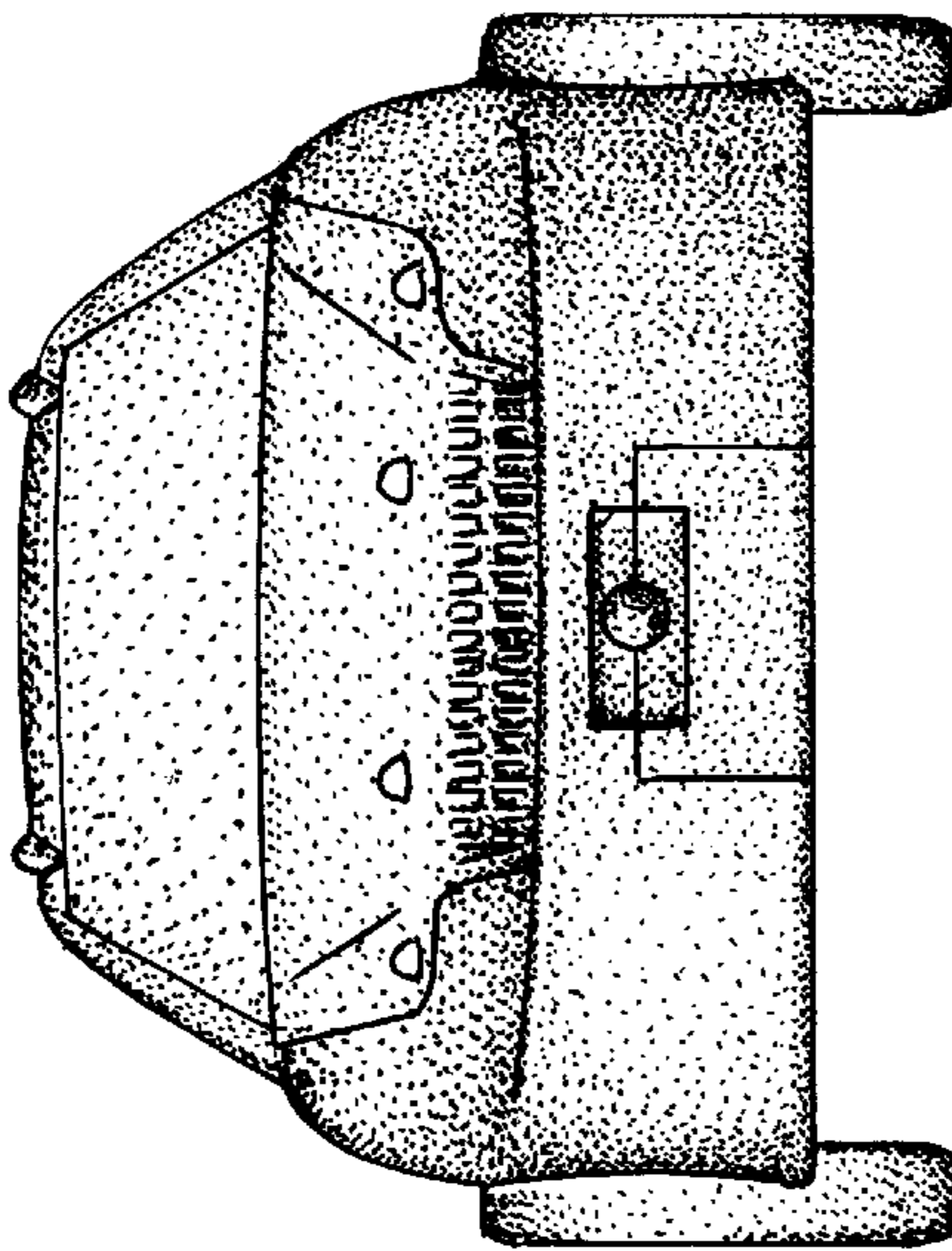


FIG. 7

