



US00D437303S

(12) **United States Design Patent**
Hibino

(10) **Patent No.:** **US D437,303 S**

(45) **Date of Patent:** **** Feb. 6, 2001**

(54) **DISC PLAYER**

5,654,846 * 8/1997 Wicks et al. 369/75.1 X

(75) Inventor: **Takuro Hibino**, Tokyo (JP)

OTHER PUBLICATIONS

(73) Assignee: **Sony Corporation** (JP)

Catalog; "Sony VAIO PCG-505EX/64-PCG-505X/64";
Sony; May 1998; 3 sheets.

(**) Term: **14 Years**

Catalog; "Sony Portable DVD-ROM Drive PBD-D50";
Sony; Aug. 1998; 3 sheets.

(21) Appl. No.: **29/112,975**

* cited by examiner

(22) Filed: **Oct. 28, 1999**

Primary Examiner—Nanda Bondade

(30) **Foreign Application Priority Data**

(74) *Attorney, Agent, or Firm*—Rader, Fishaman & Grauer

Apr. 28, 1999 (JP) 11-11521

(57) **CLAIM**

(51) **LOC (7) Cl.** **14-01**

The ornamental design for a disc player, as shown and described.

(52) **U.S. Cl.** **D14/156**

(58) **Field of Search** D14/135, 136,
D14/156, 157, 160, 167, 168; 369/75.1,
75.2, 77.1, 77.2

DESCRIPTION

(56) **References Cited**

FIG. 1 is a perspective view of a disc player showing my new design;

FIG. 2 is a top plan view thereof;

FIG. 3 is a bottom plan view thereof;

FIG. 4 is a left side elevational view thereof;

FIG. 5 is a right side elevational view thereof;

FIG. 6 is a front elevational view thereof; and,

FIG. 7 is a rear elevational view thereof.

U.S. PATENT DOCUMENTS

- D. 304,942 * 12/1989 Kataoka D14/156
- D. 381,652 * 7/1997 Suzuki et al. D14/156 X
- D. 391,571 * 3/1998 Ito et al. D14/156
- D. 410,237 * 5/1999 Kanataki D14/156
- 5,172,360 * 12/1992 Decoster 369/75.2

1 Claim, 5 Drawing Sheets

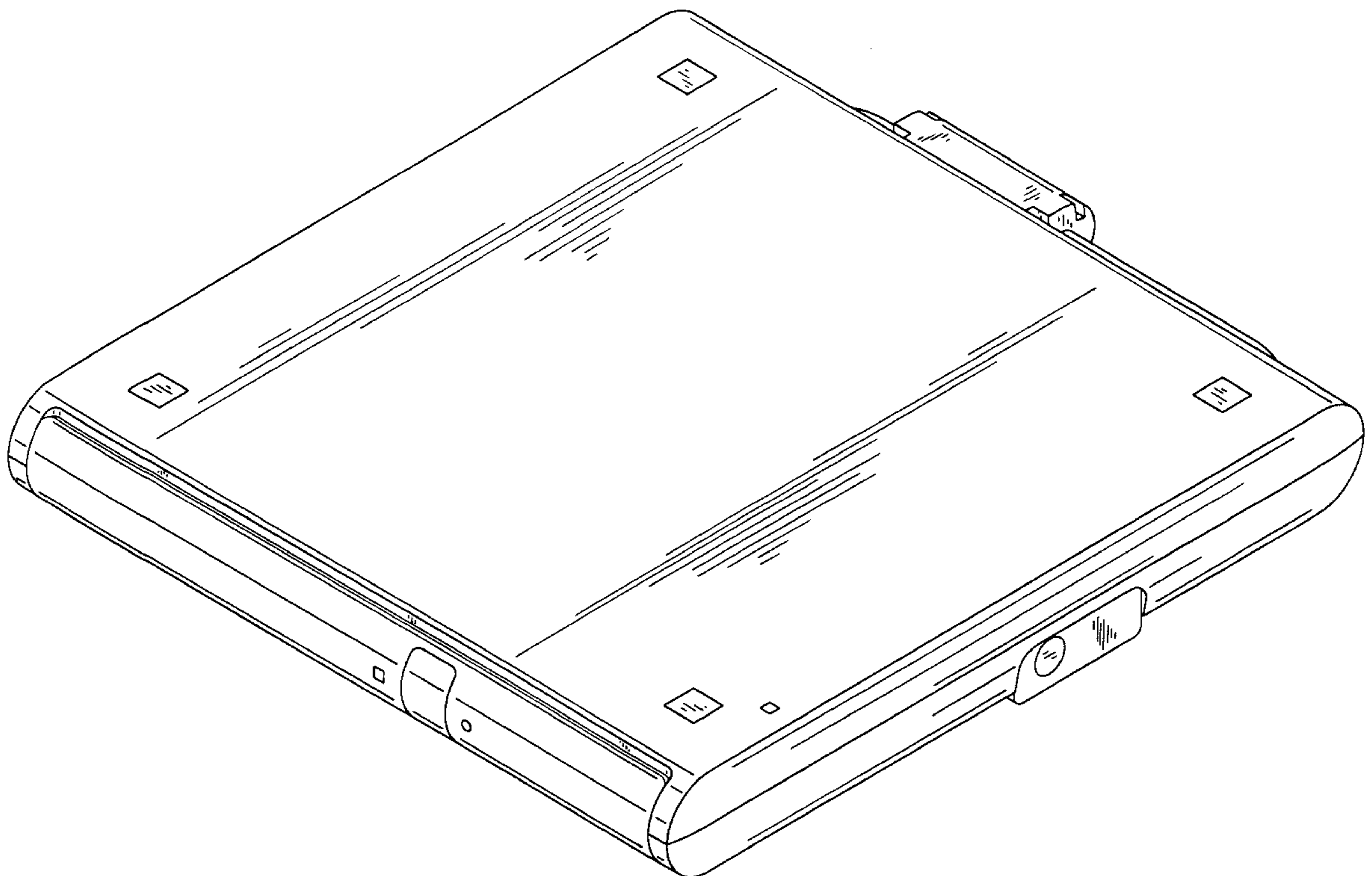


FIG. 1

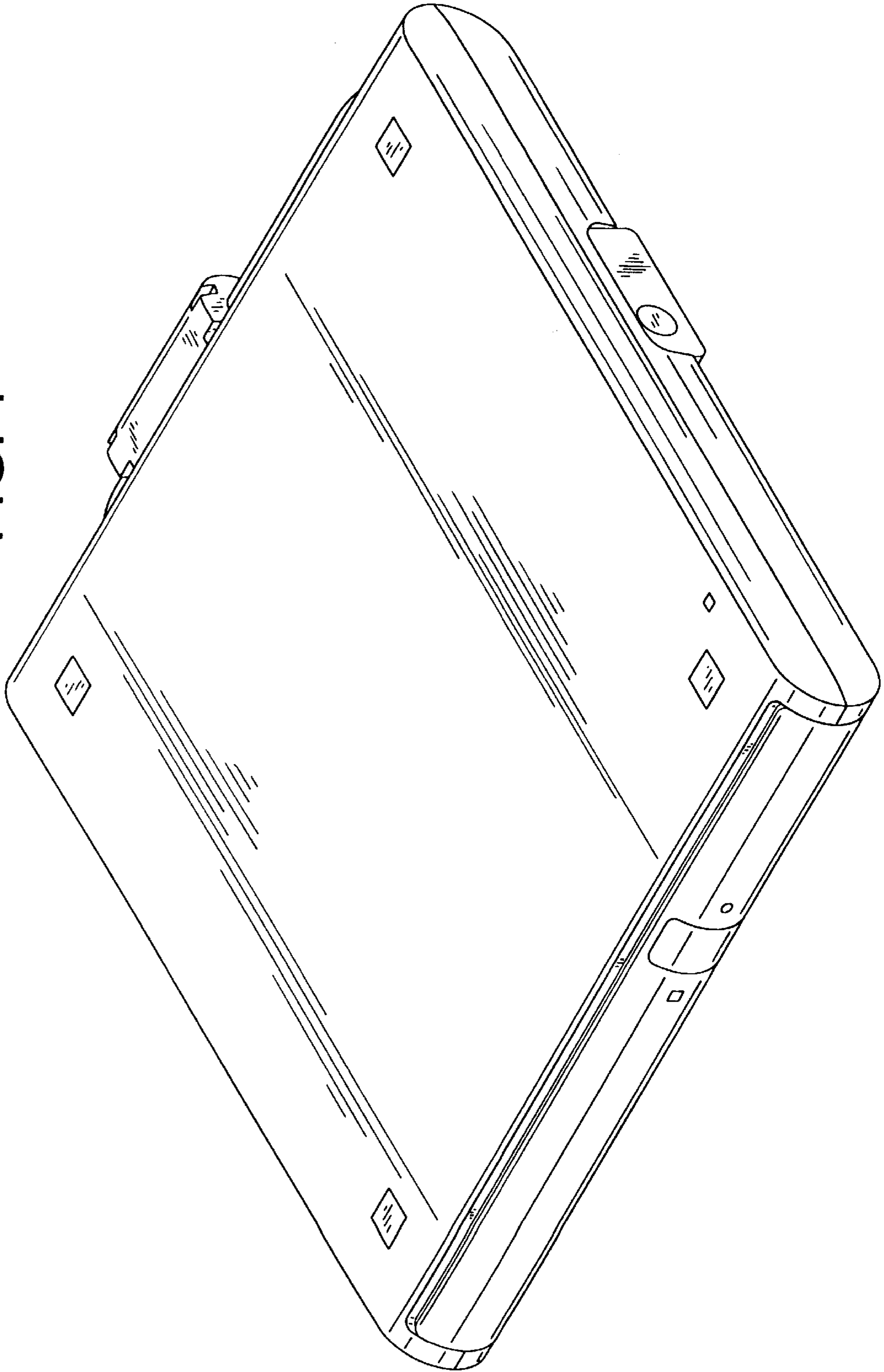


FIG. 2

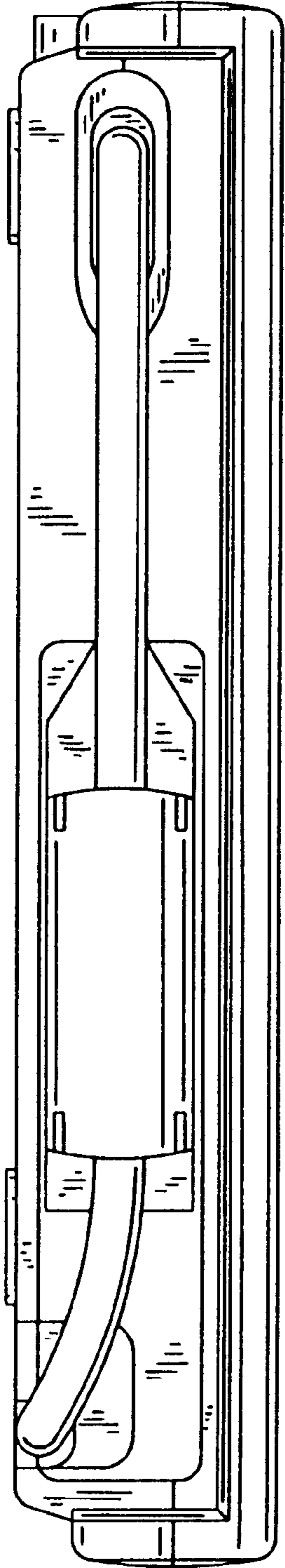


FIG. 3

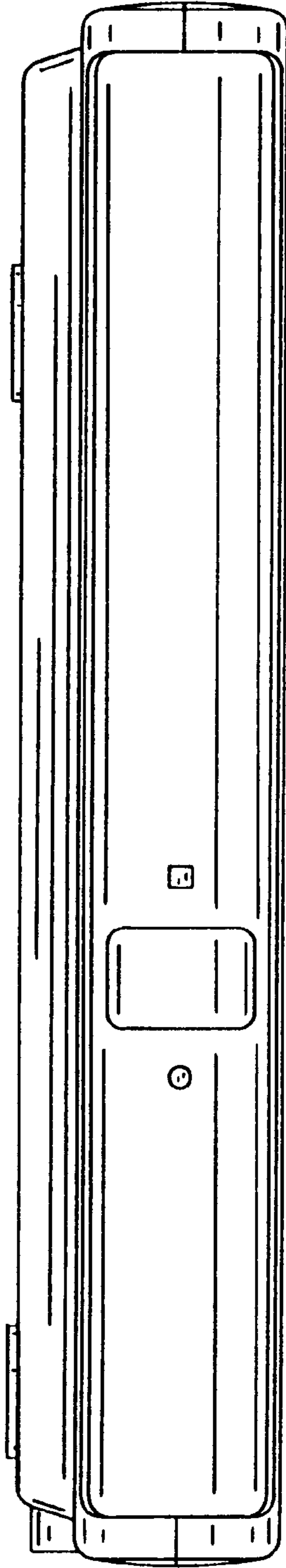


FIG. 4

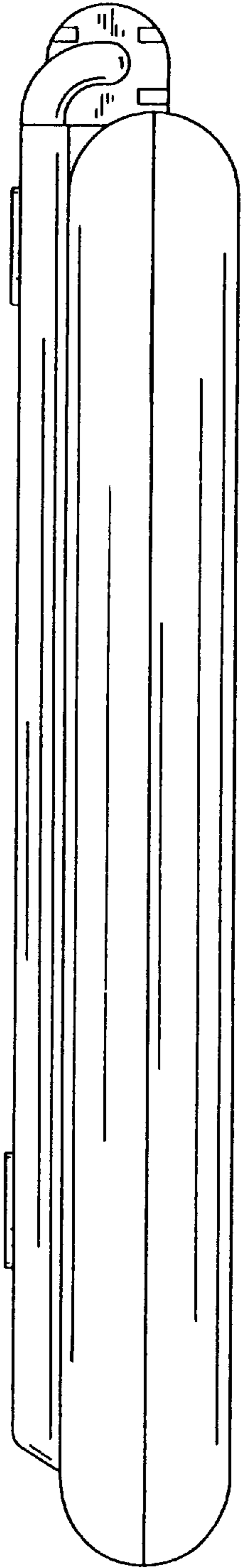


FIG. 5

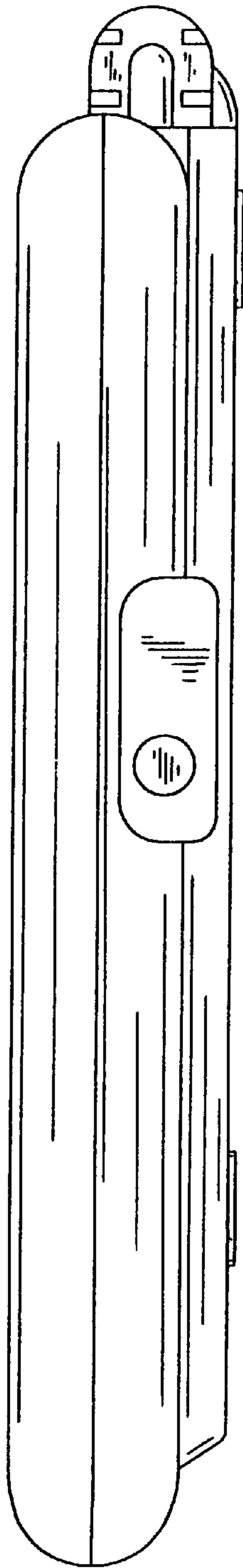


FIG. 6

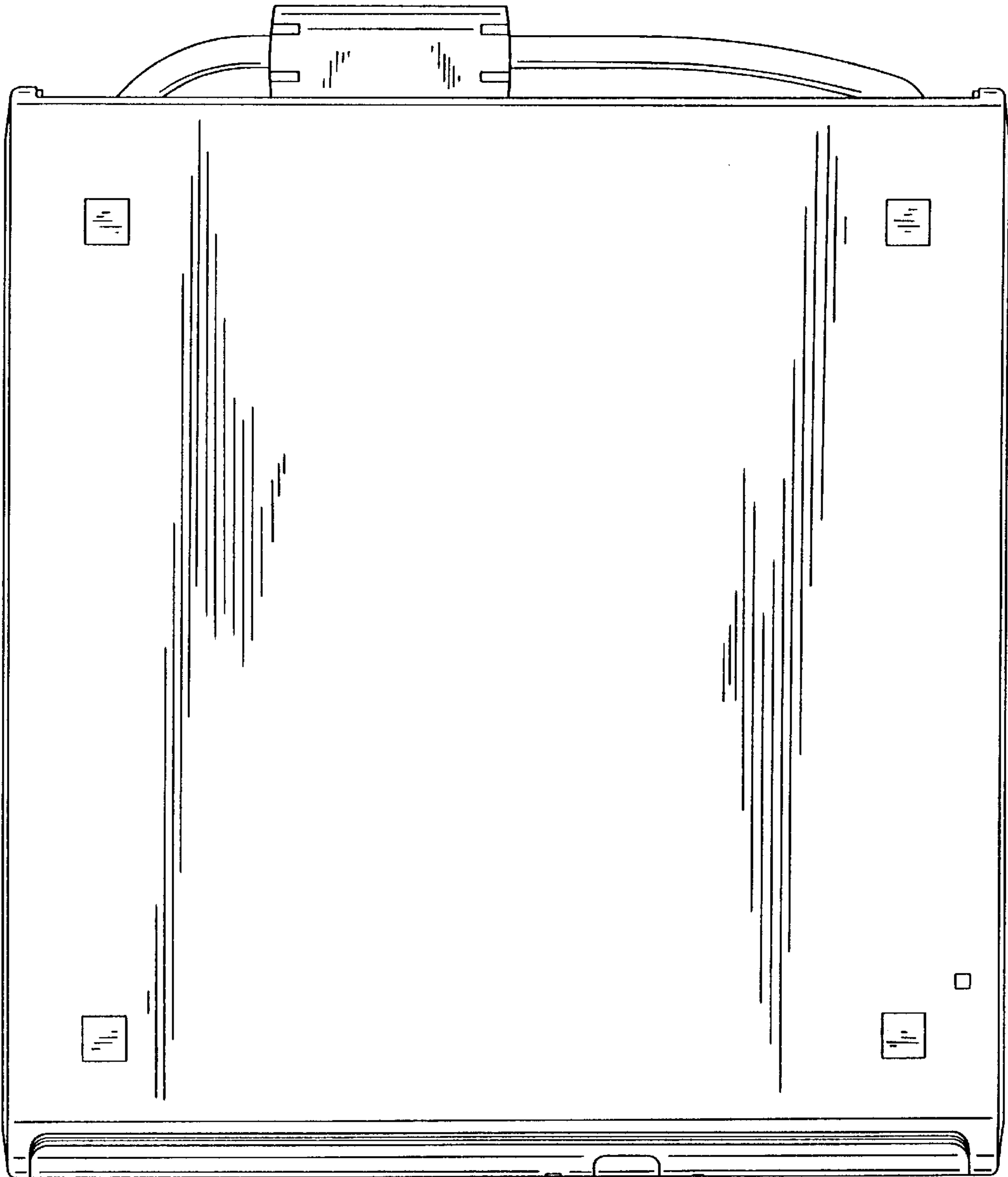


FIG. 7

