



US00D437296S

(12) **United States Design Patent**
Lin et al.

(10) **Patent No.:** **US D437,296 S**

(45) **Date of Patent:** **** Feb. 6, 2001**

(54) **TRAVEL SURGE PROTECTOR**

D. 401,908 * 12/1998 Cook D13/160
D. 418,482 * 1/2000 MacKay D13/160

(75) Inventors: **Hui-Yi Lin**, Taipei; **Kris Verstockt**,
Taipei Hsien; **Hsu-Yang Wei**, Taipei, all
of (TW)

* cited by examiner

Primary Examiner—Brian N. Vinson
(74) *Attorney, Agent, or Firm*—Winston Hsu

(73) Assignee: **Primax Electronics Ltd.**, Taipei Hsien
(TW)

(57) **CLAIM**

(**) Term: **14 Years**

The ornamental design for a travel surge protector, as shown
and described.

(21) Appl. No.: **29/115,910**

DESCRIPTION

(22) Filed: **Dec. 20, 1999**

(51) **LOC (7) Cl.** **13-03**

(52) **U.S. Cl.** **D13/160**

(58) **Field of Search** D13/160, 158,
D13/138.1, 138.2; 174/65 R, 77 R, 92;
361/42, 45, 50, 91, 93, 399, 115

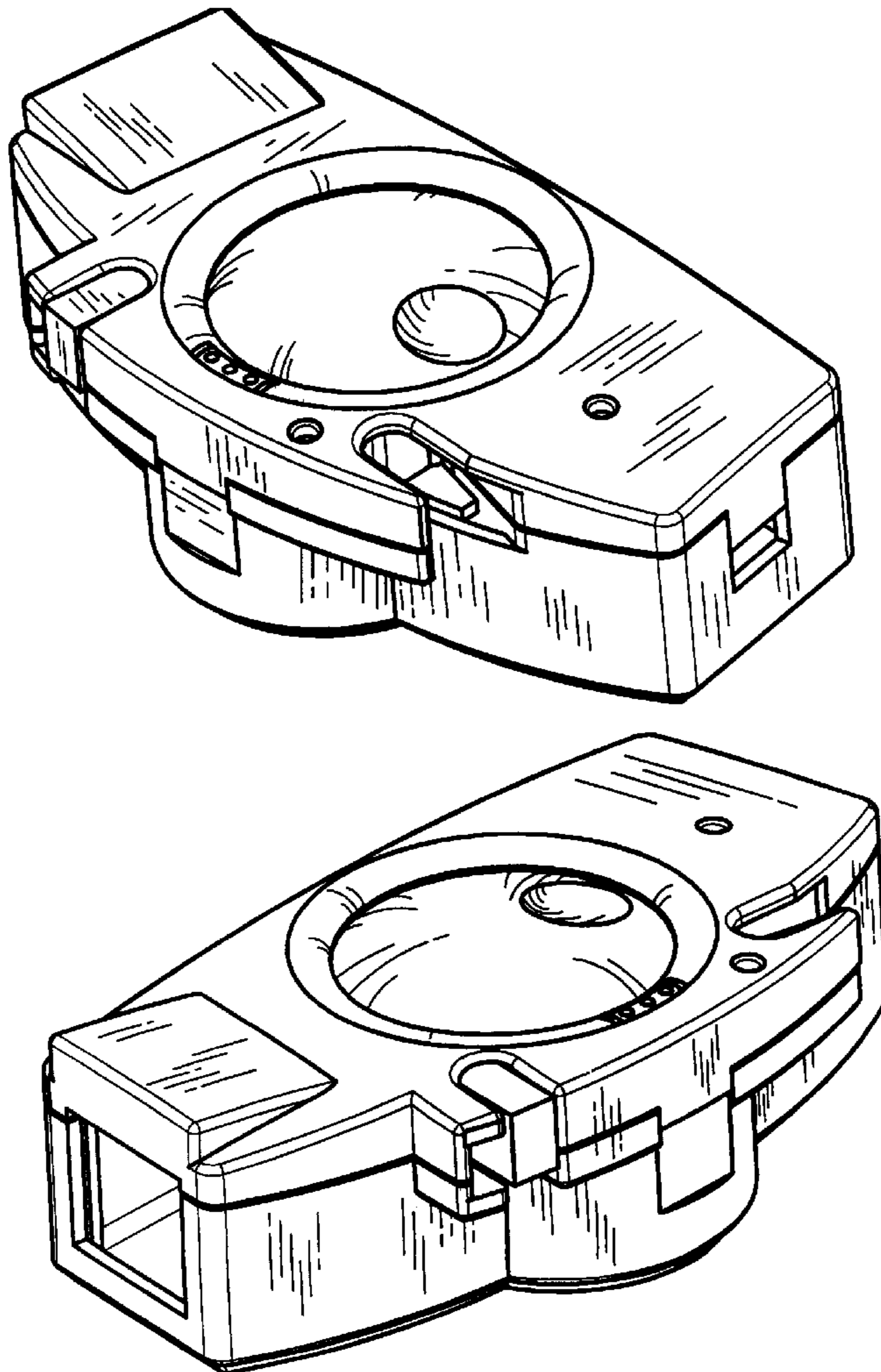
FIG. 1 is a top-right perspective view of a travel surge
protector showing our new design;
FIG. 2 is a top-left perspective view thereof;
FIG. 3 is a top plan view thereof;
FIG. 4 is a bottom plan view thereof;
FIG. 5 is a left side elevational view thereof;
FIG. 6 is a right side elevational view thereof;
FIG. 7 is a front elevational view thereof; and,
FIG. 8 is a rear elevational view thereof.

(56) **References Cited**

U.S. PATENT DOCUMENTS

D. 313,971 * 1/1991 Rosenbaum et al. D13/160

1 Claim, 4 Drawing Sheets



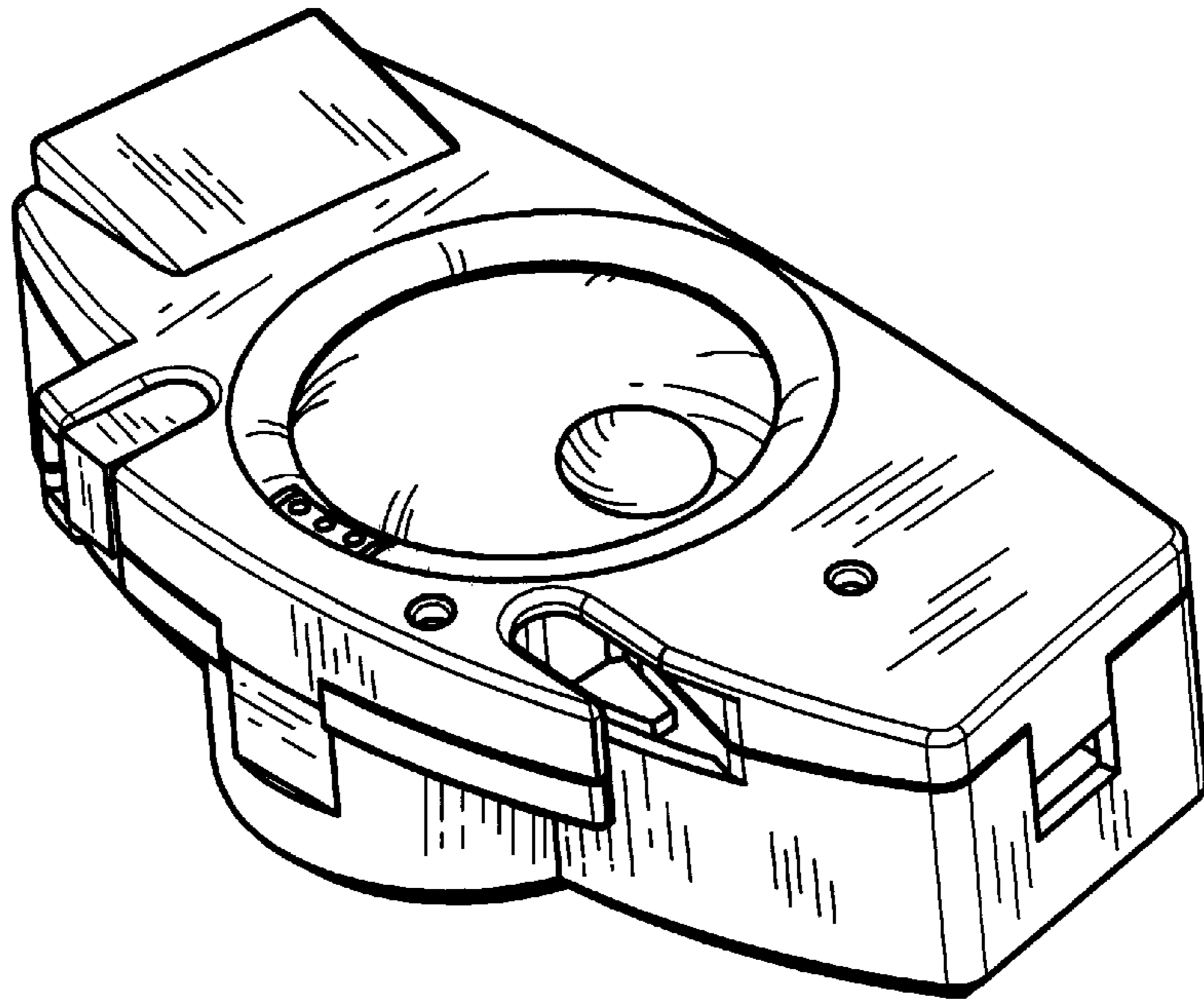


Fig. 1

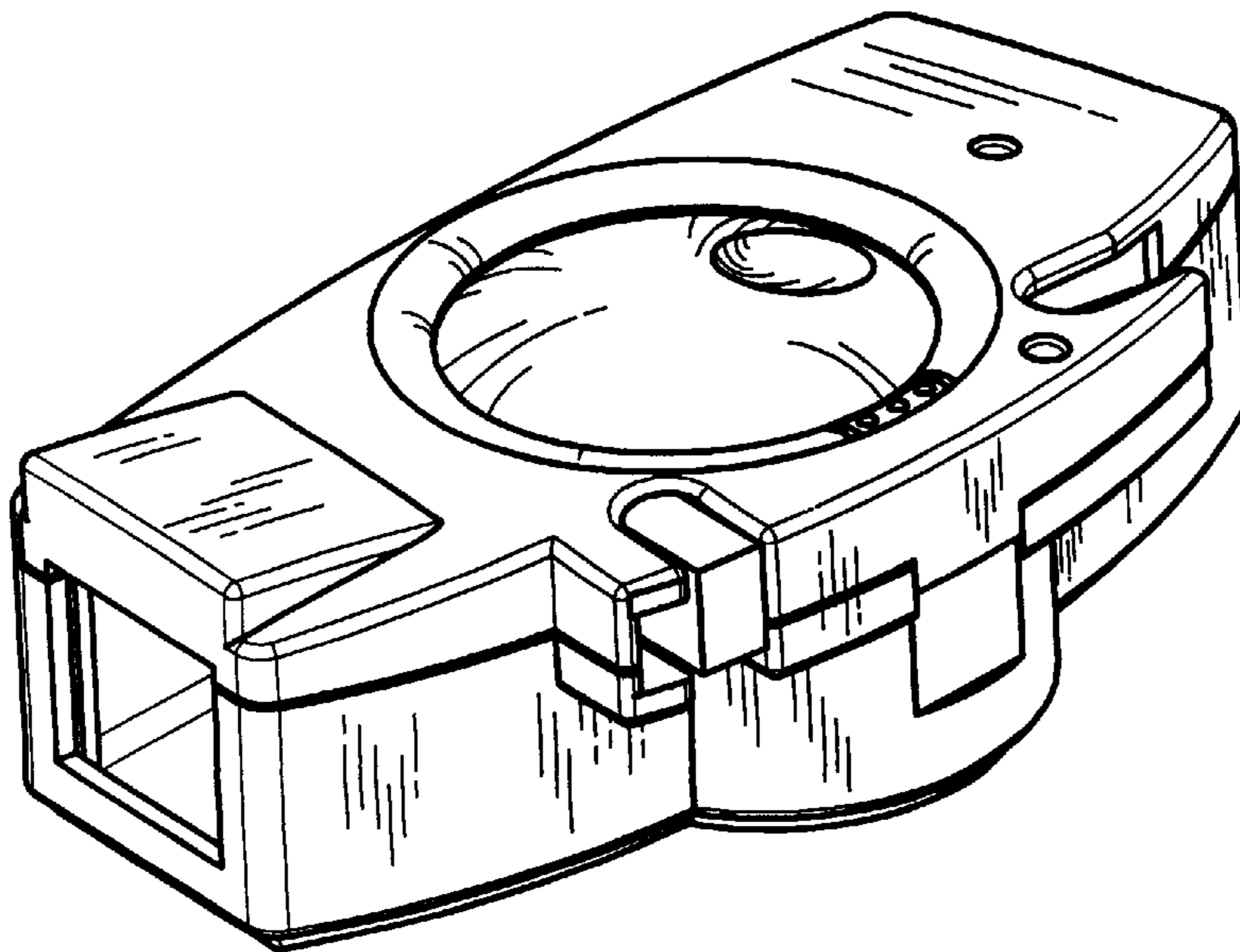


Fig. 2

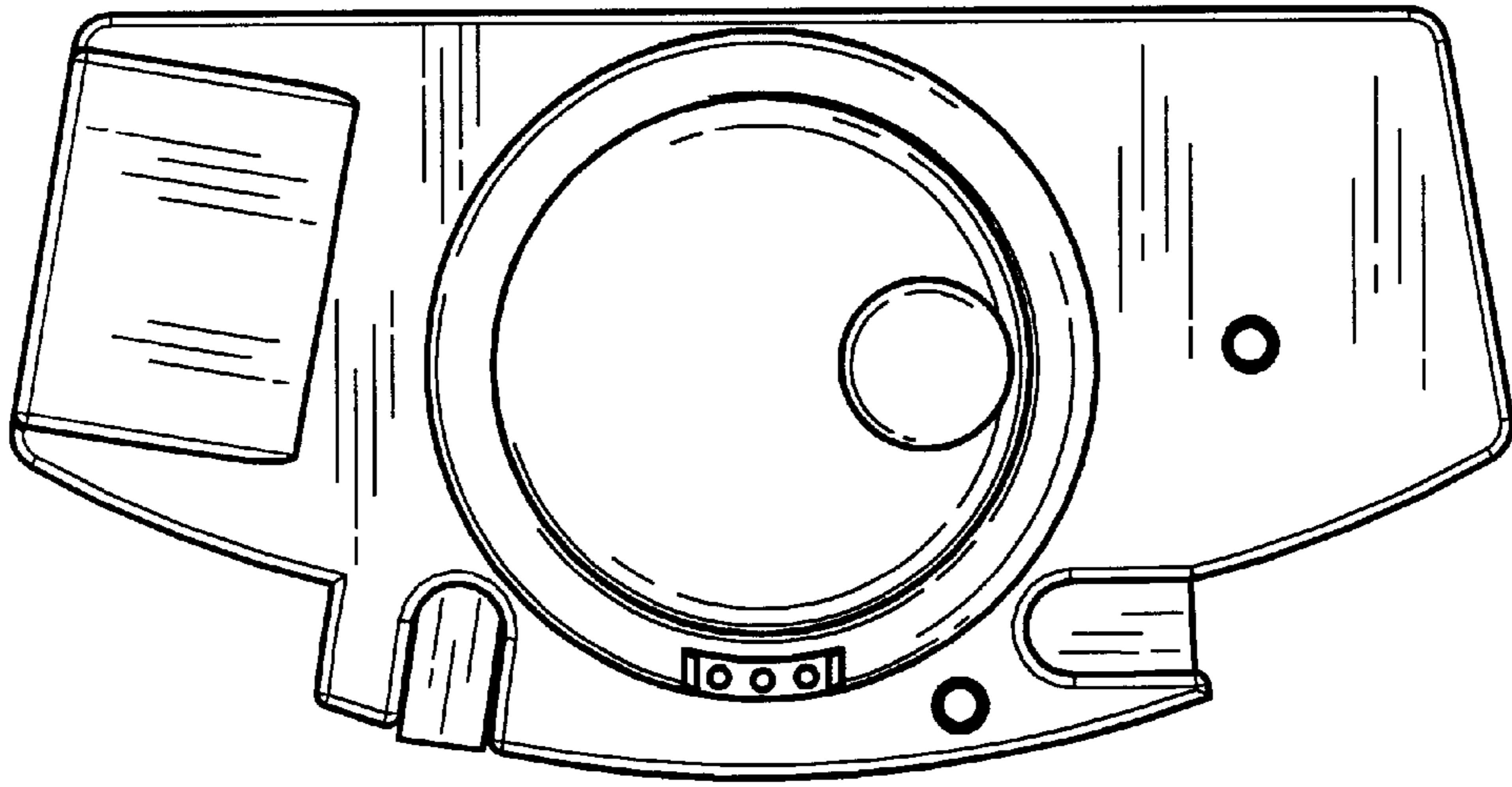


Fig. 3

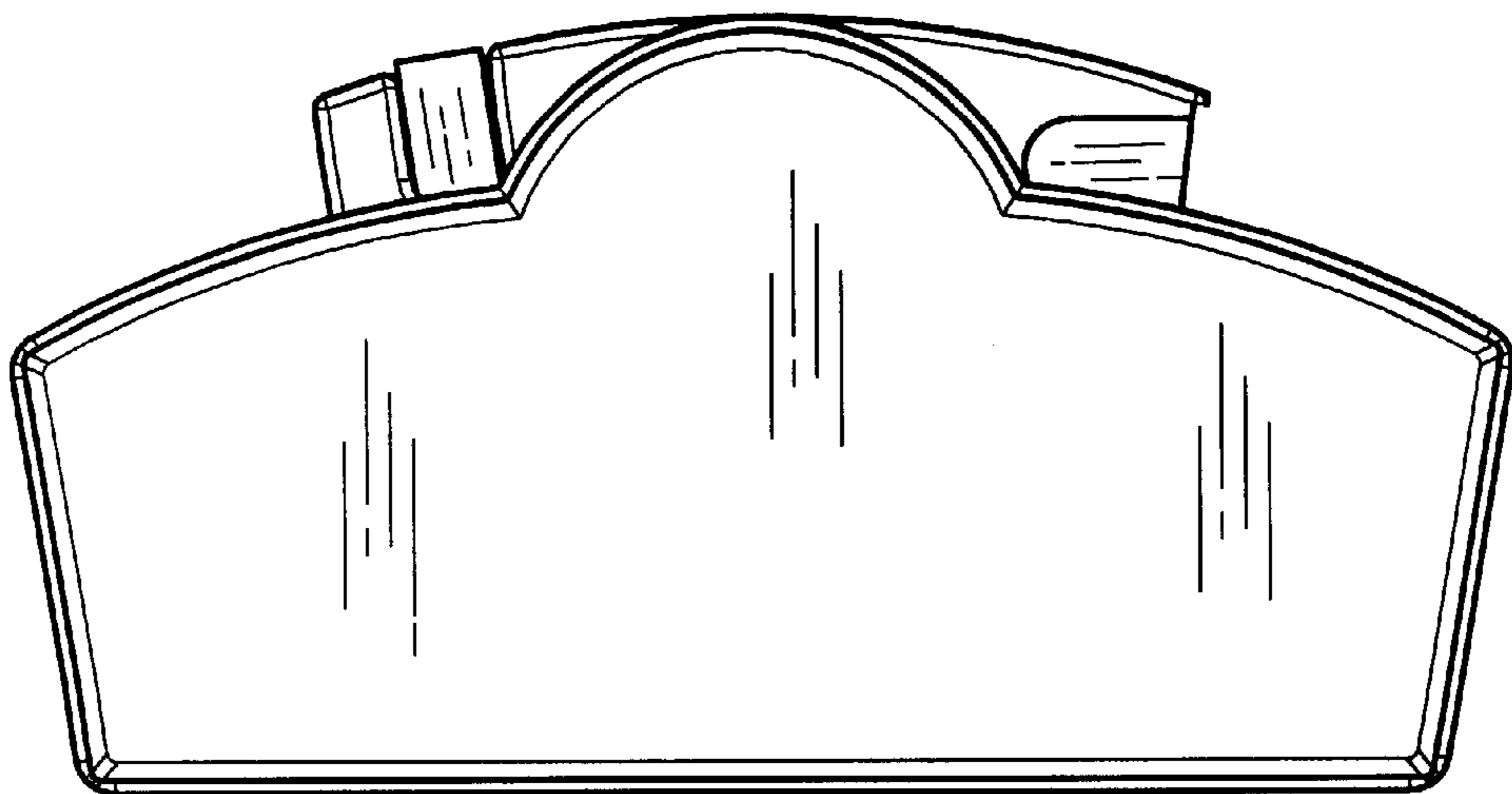


Fig. 4

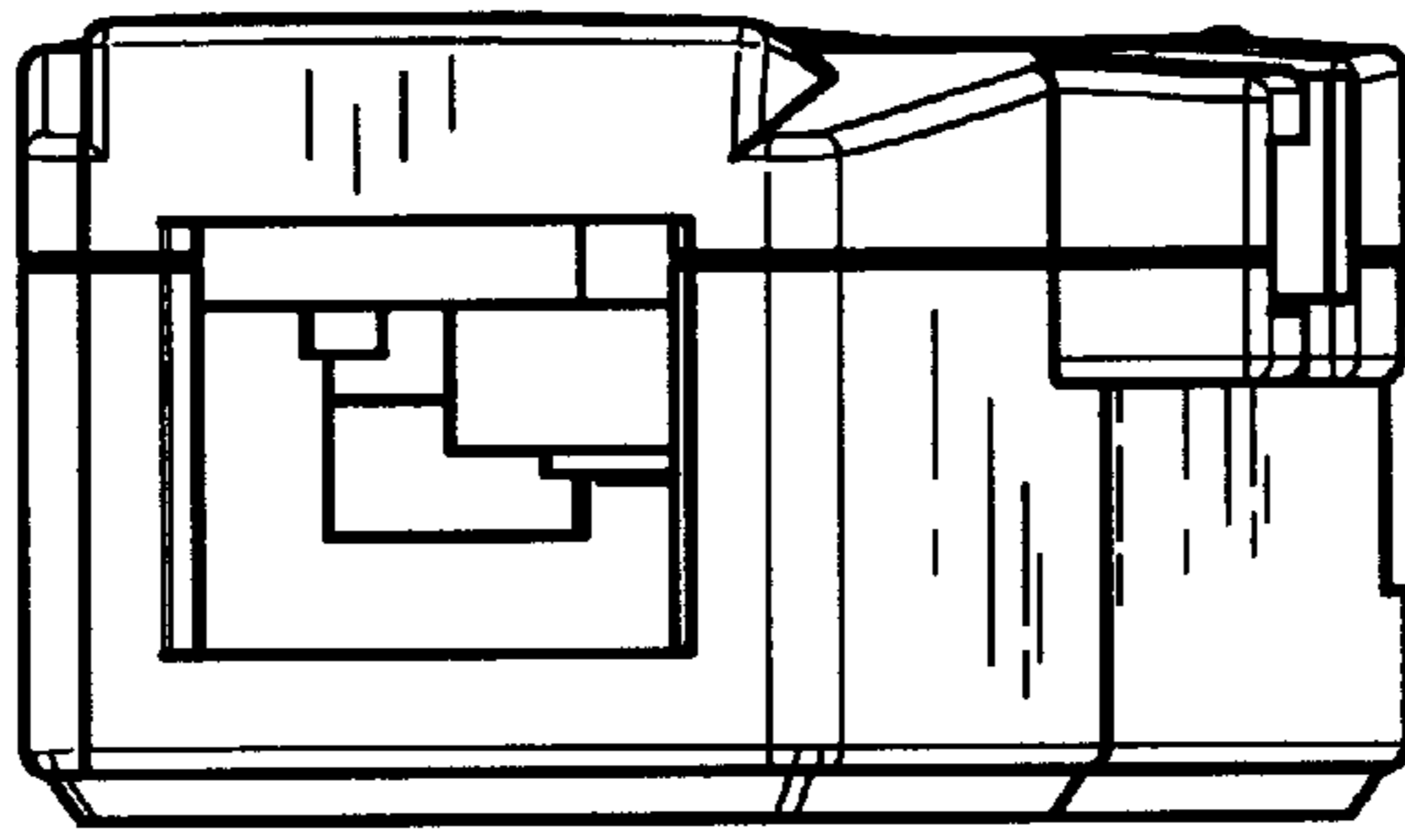


Fig. 5

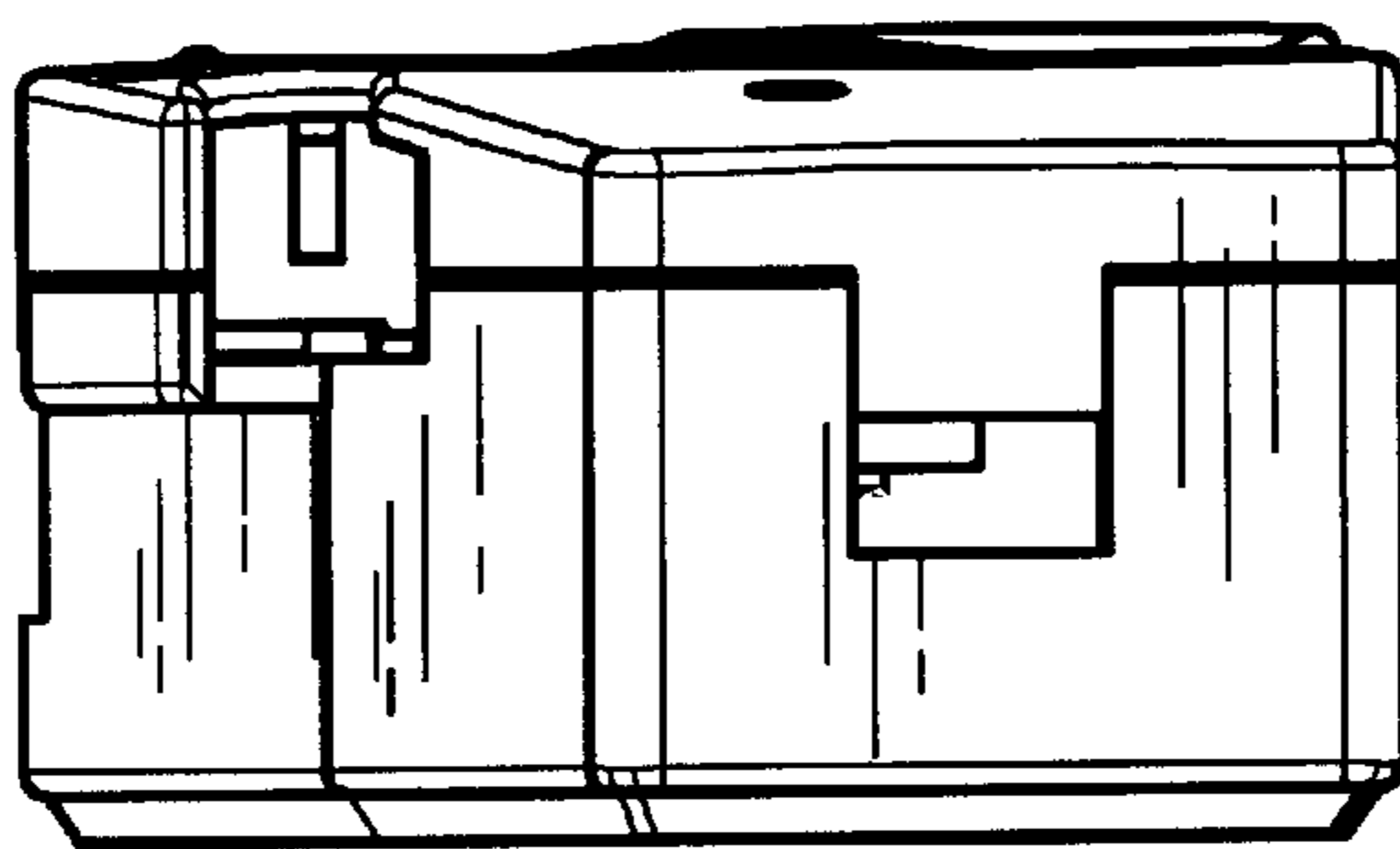


Fig. 6

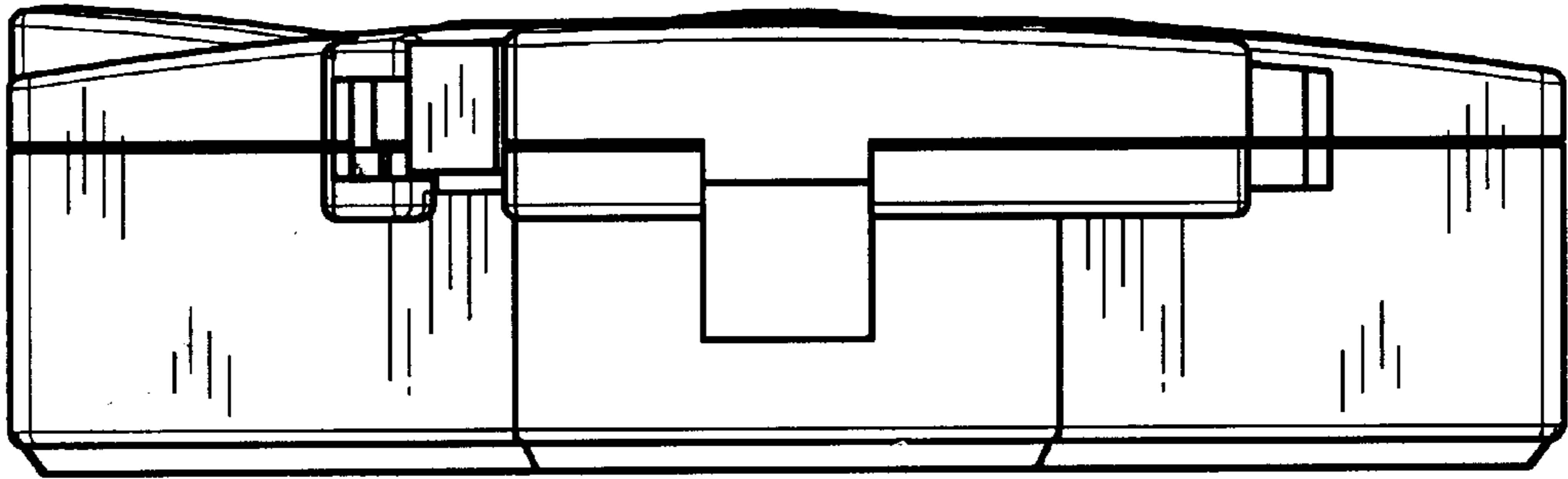


Fig. 7

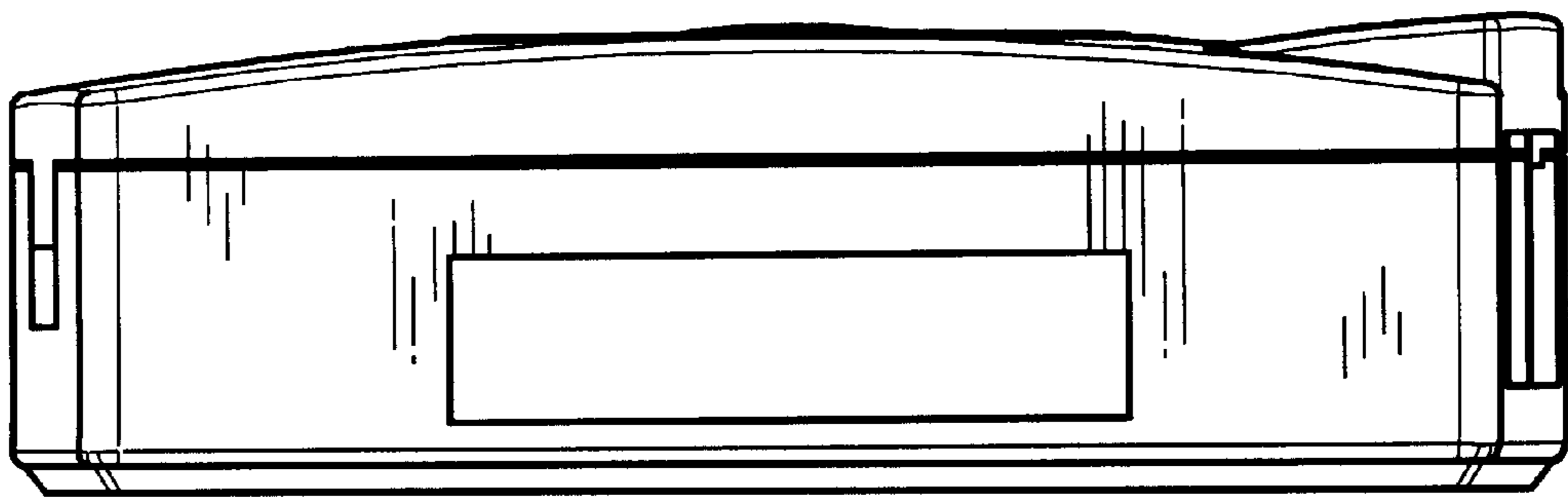


Fig. 8