



US00D437294S

(12) **United States Design Patent**  
**Amin**

(10) **Patent No.:** **US D437,294 S**

(45) **Date of Patent:** **\*\* Feb. 6, 2001**

(54) **CABLE CONNECTOR INSULATOR COVER**

(76) Inventor: **Harish A. Amin**, 644 Port Patrick Pl.,  
Fort Mill, SC (US) 29715

(\*\*) Term: **14 Years**

(21) Appl. No.: **29/110,281**

(22) Filed: **Sep. 2, 1999**

(51) **LOC (7) Cl.** ..... **13-03**

(52) **U.S. Cl.** ..... **D13/156; D13/154; D13/133**

(58) **Field of Search** ..... **D13/133, 156,**  
**D13/154; 439/675, 669, 750, 889**

(56) **References Cited**

**U.S. PATENT DOCUMENTS**

D. 320,192	*	9/1991	Sisk	.....	D13/133
D. 361,746	*	8/1995	Emmerik	.....	D13/133
D. 399,185	*	10/1998	Lin	.....	D13/133
3,297,975	*	1/1967	Pope	.....	D13/133 X
4,595,251	*	6/1986	Moulin	.....	439/289
5,183,411	*	2/1993	Yu	.....	439/675 X

\* cited by examiner

*Primary Examiner*—Joel Sincavage

(74) *Attorney, Agent, or Firm*—Moore & Van Allen, PLLC;  
Michael G. Johnston

(57) **CLAIM**

The ornamental design for a cable connector insulator cover,  
as shown and described.

**DESCRIPTION**

FIG. 1 is a perspective view of a cable connector insulator  
cover showing my new design.

FIG. 2 is a side view of a cable connector insulator cover  
showing my new design.

FIG. 3 is a top view of a cable connector insulator cover  
showing my new design.

FIG. 4 is a bottom view of a cable connector insulator cover  
showing my new design.

FIG. 5 is a right end view of the cable connector insulator  
cover as shown in FIG. 1 showing my new design.

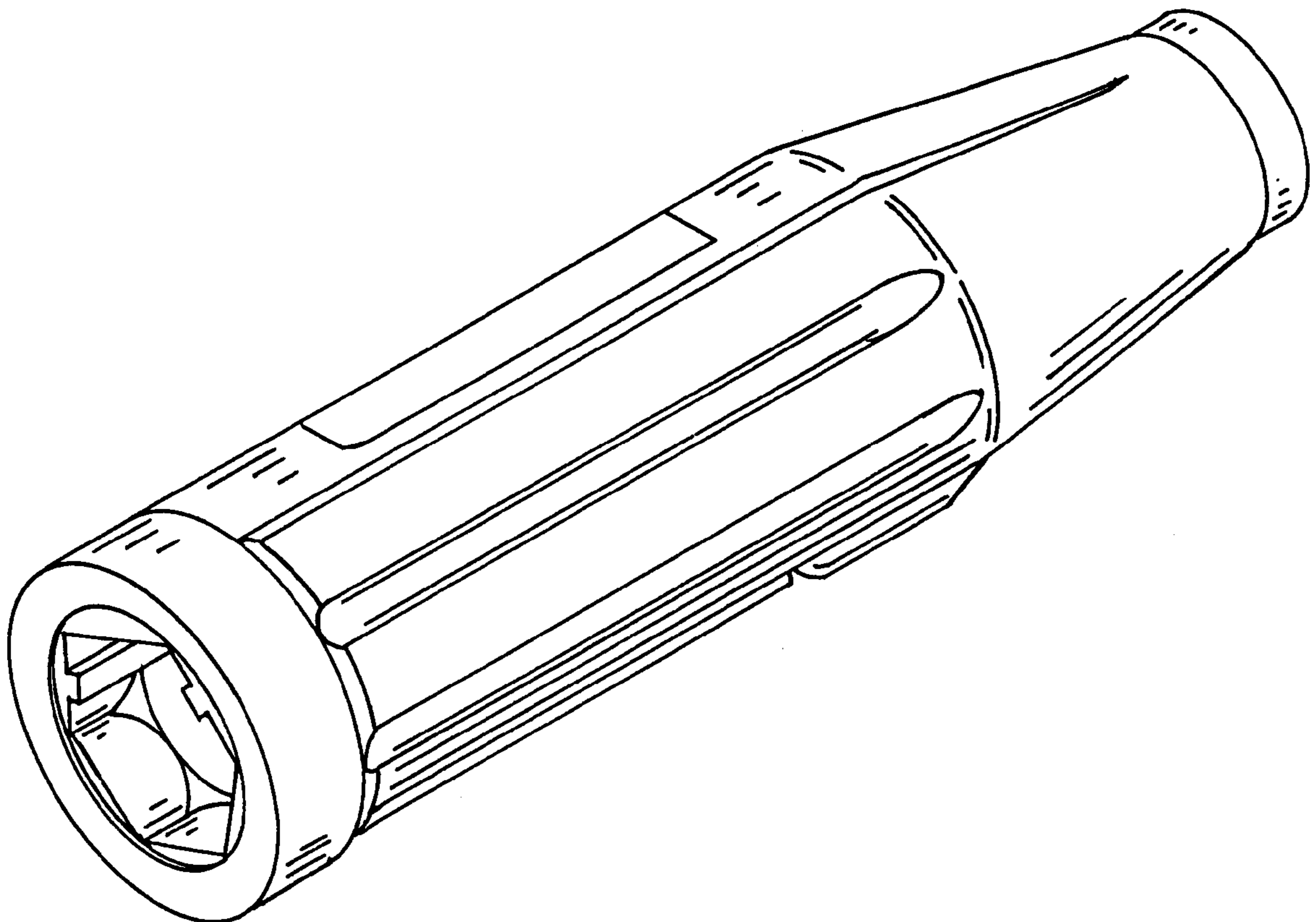
FIG. 6 is a left end view of the cable connector insulator  
cover as shown in FIG. 1 showing my new design.

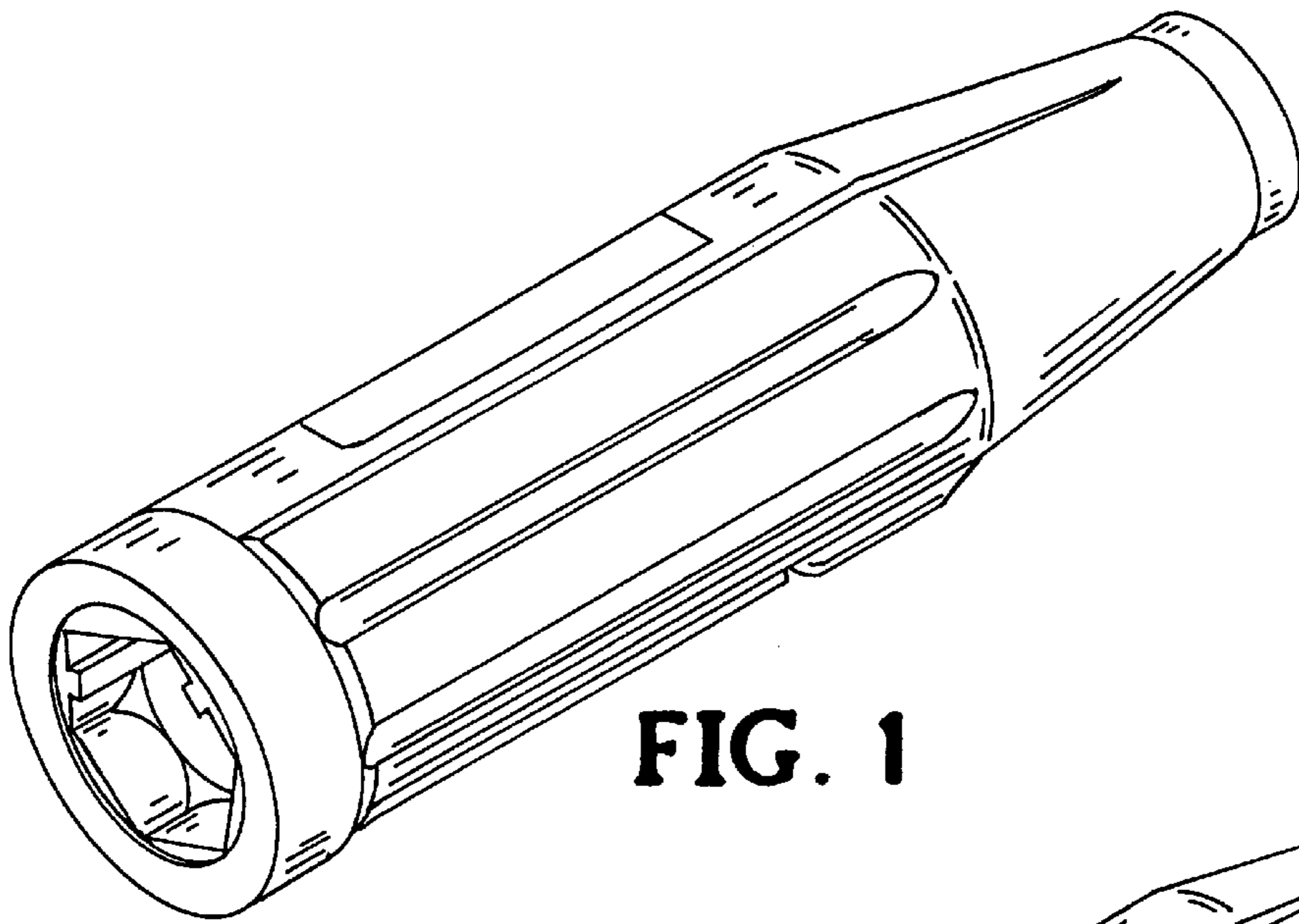
FIG. 7 is a perspective view of a cable connector insulator  
cover with a female portion of a cable connector therein  
showing my new design; and,

FIG. 8 is a perspective view of a cable connector insulator  
cover with a male portion of a cable connector therein  
showing my new design.

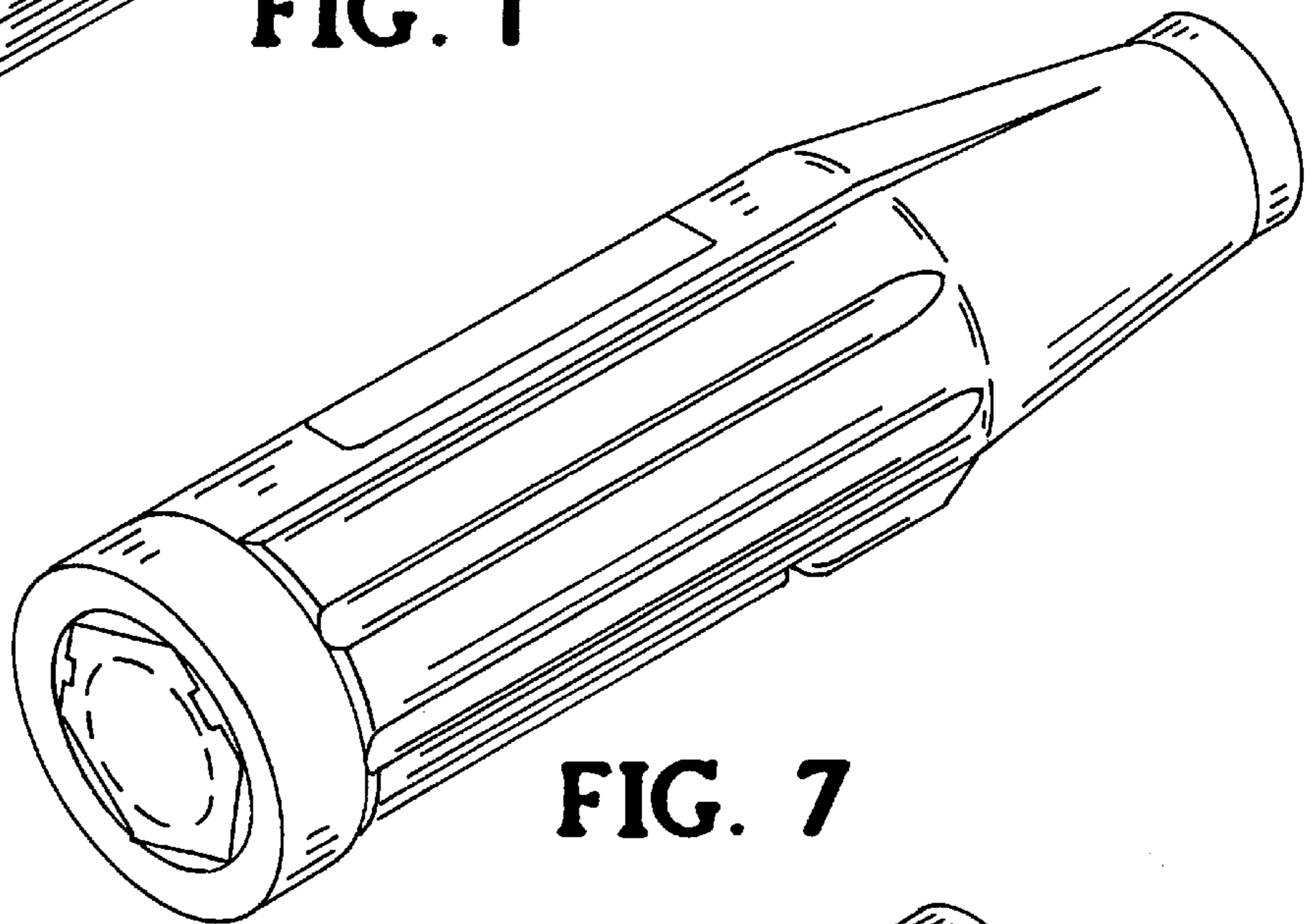
The broken lines shown in FIGS. 7 and 8 are included for the  
purpose of illustrating environment structure only and form  
no part of the claimed design.

**1 Claim, 2 Drawing Sheets**

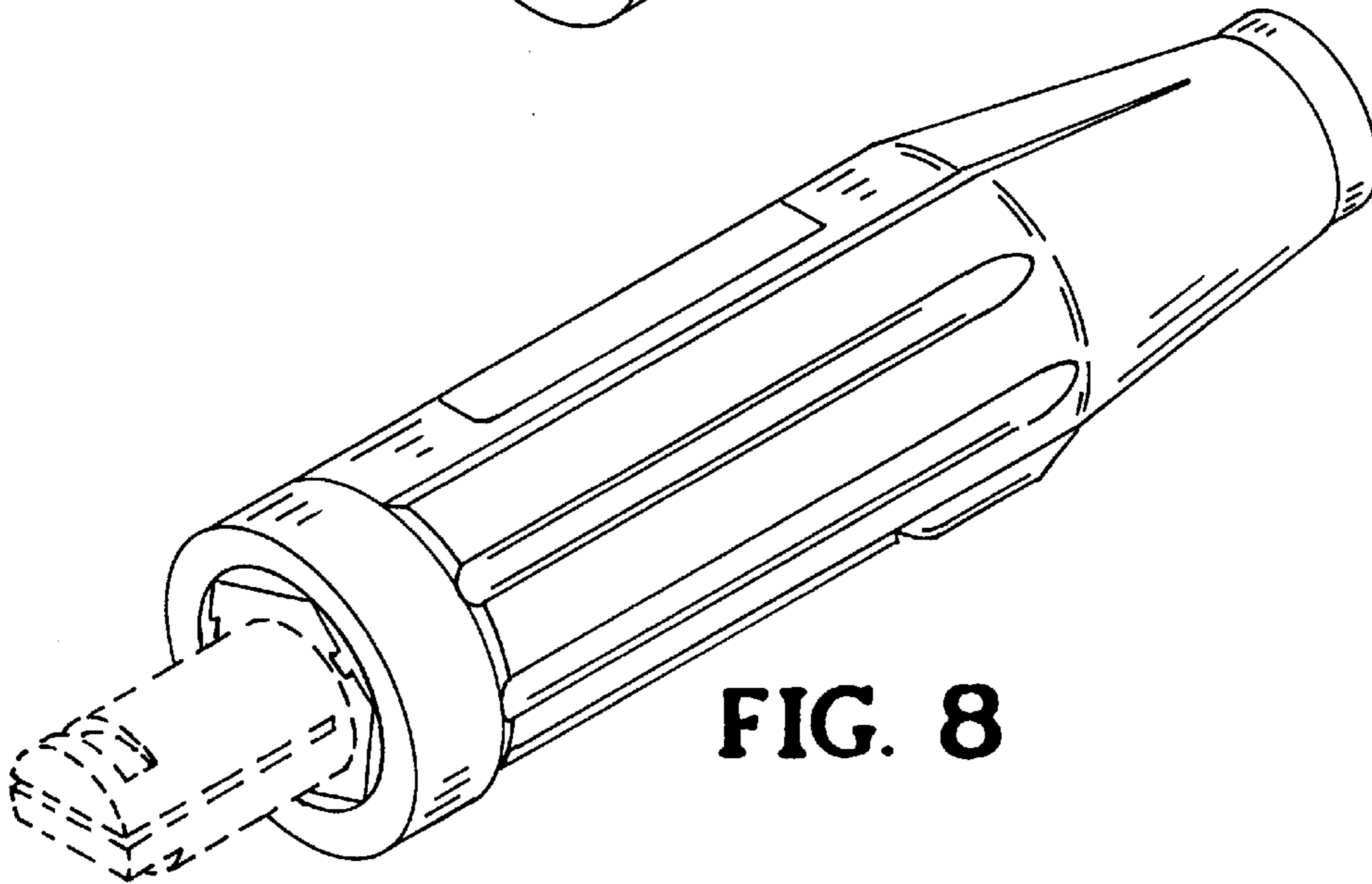




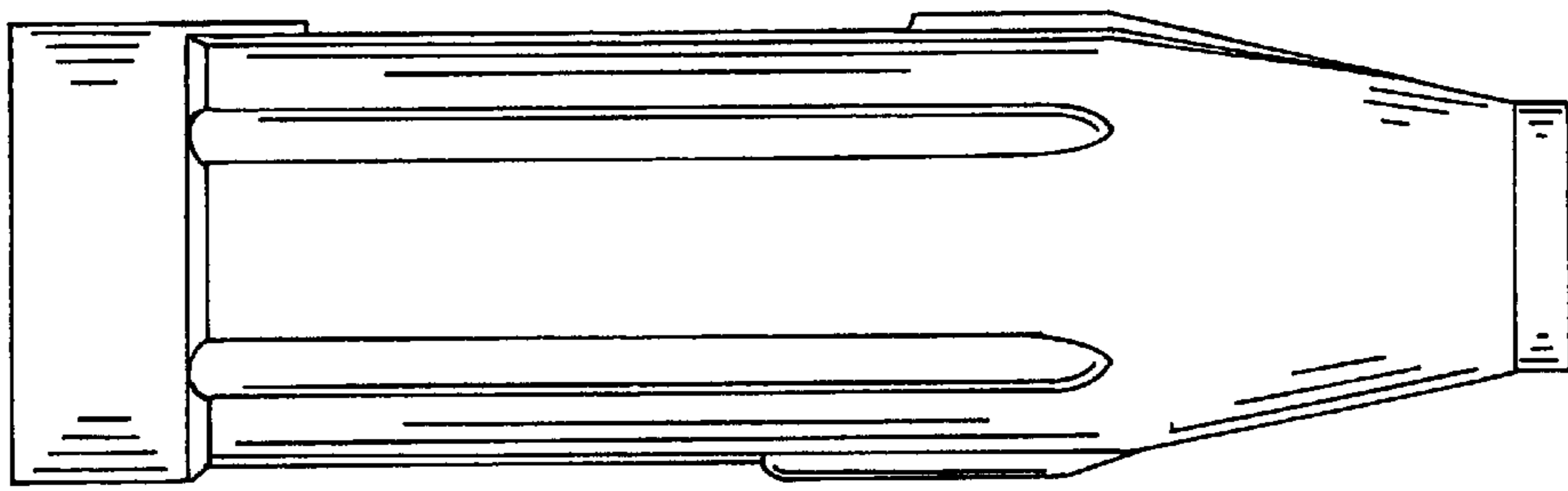
**FIG. 1**



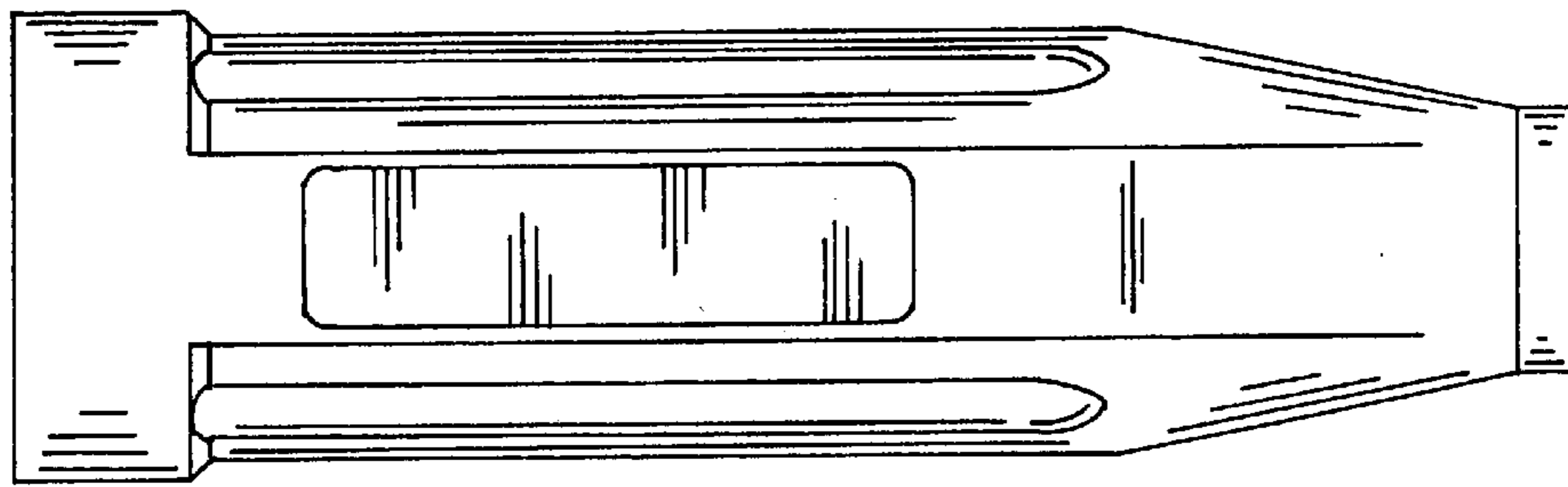
**FIG. 7**



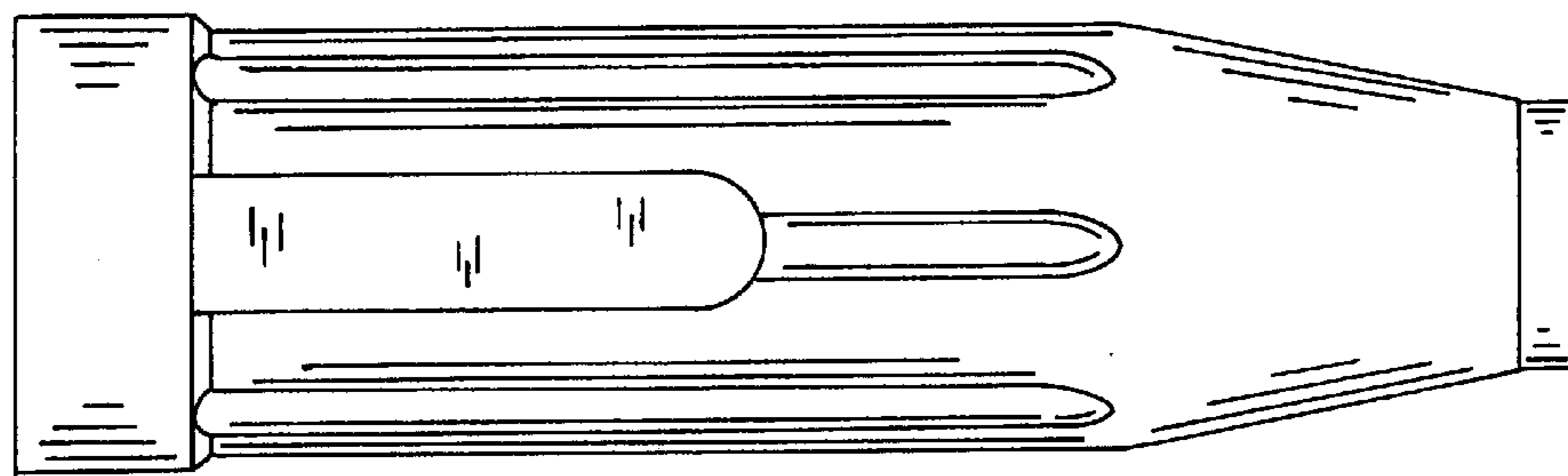
**FIG. 8**



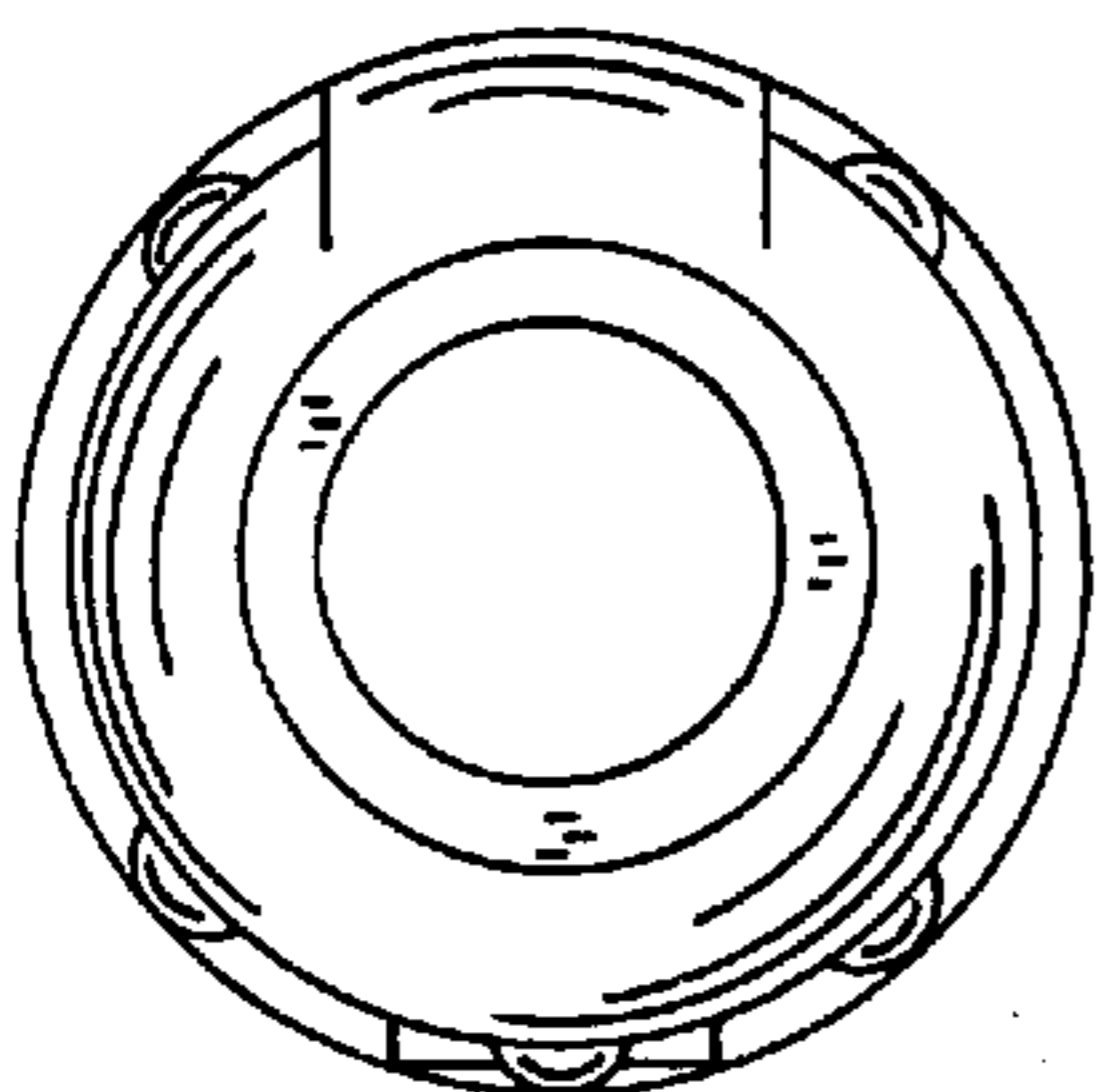
**FIG. 2**



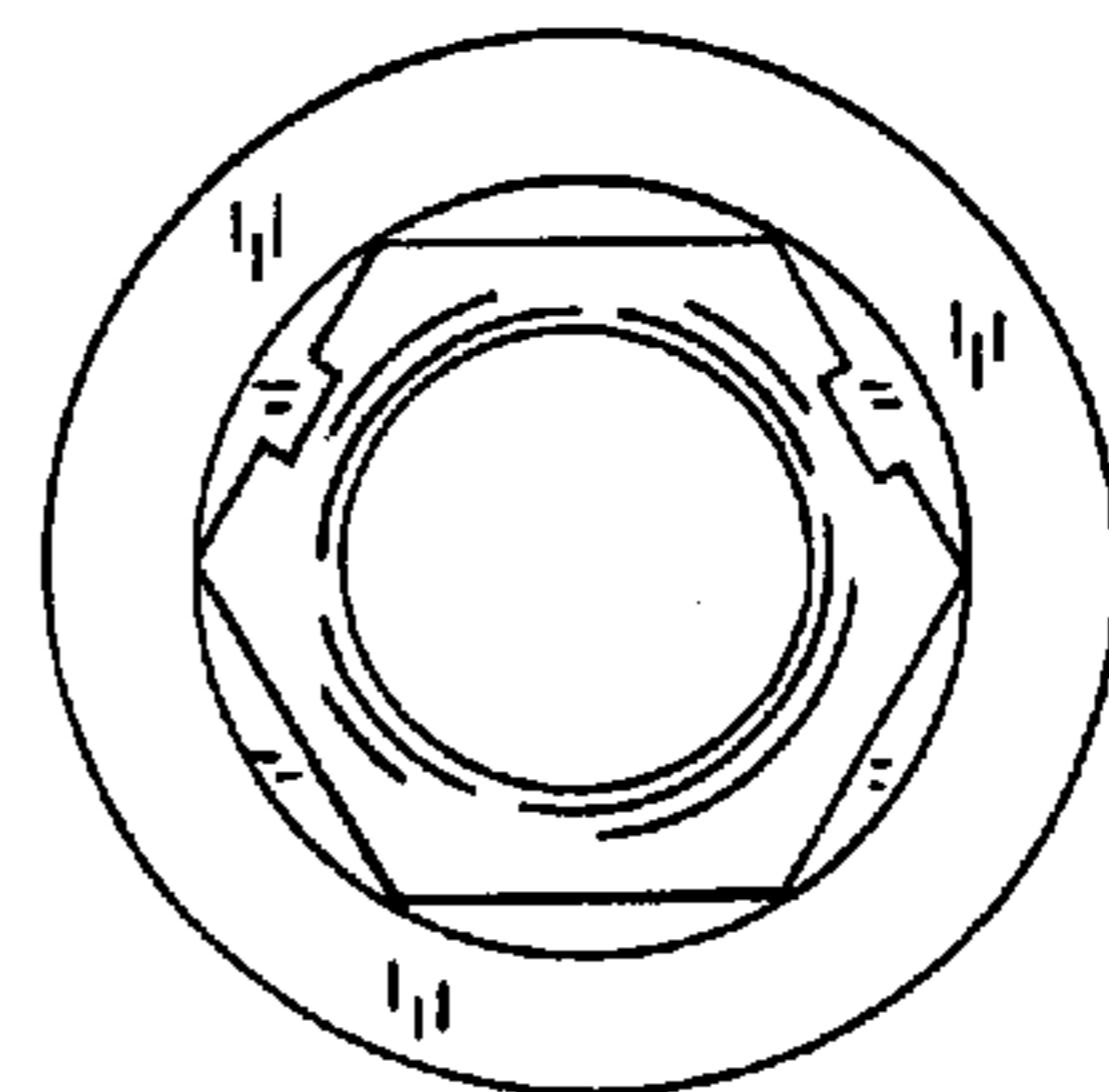
**FIG. 3**



**FIG. 4**



**FIG. 5**



**FIG. 6**