



US00D437293S

(12) **United States Design Patent**
Yudis et al.

(10) **Patent No.:** **US D437,293 S**

(45) **Date of Patent:** **** Feb. 6, 2001**

(54) **ELECTRICAL PLUG LOCKOUT**

(75) Inventors: **Don Yudis**, Roswell; **Marc Obenshain**, Marietta, both of GA (US)

(73) Assignee: **Panduit Corp.**, Tinley Park, IL (US)

(**) Term: **14 Years**

(21) Appl. No.: **29/106,034**

(22) Filed: **Jun. 7, 1999**

(51) **LOC (7) Cl.** **13-03**

(52) **U.S. Cl.** **D13/156**

(58) **Field of Search** D13/156; 439/134, 439/135, 136, 142, 148, 149

(56) **References Cited**

U.S. PATENT DOCUMENTS

2,439,708	*	4/1948	Abraham	174/66
2,875,426	*	2/1959	Skony	174/66
4,408,813	*	10/1983	Koehler	439/148
5,609,492	*	3/1997	Sato et al.	439/136
5,964,598	*	10/1999	Gonzales	439/133

* cited by examiner

Primary Examiner—Joel Sincavage

(74) *Attorney, Agent, or Firm*—Robert A. McCann

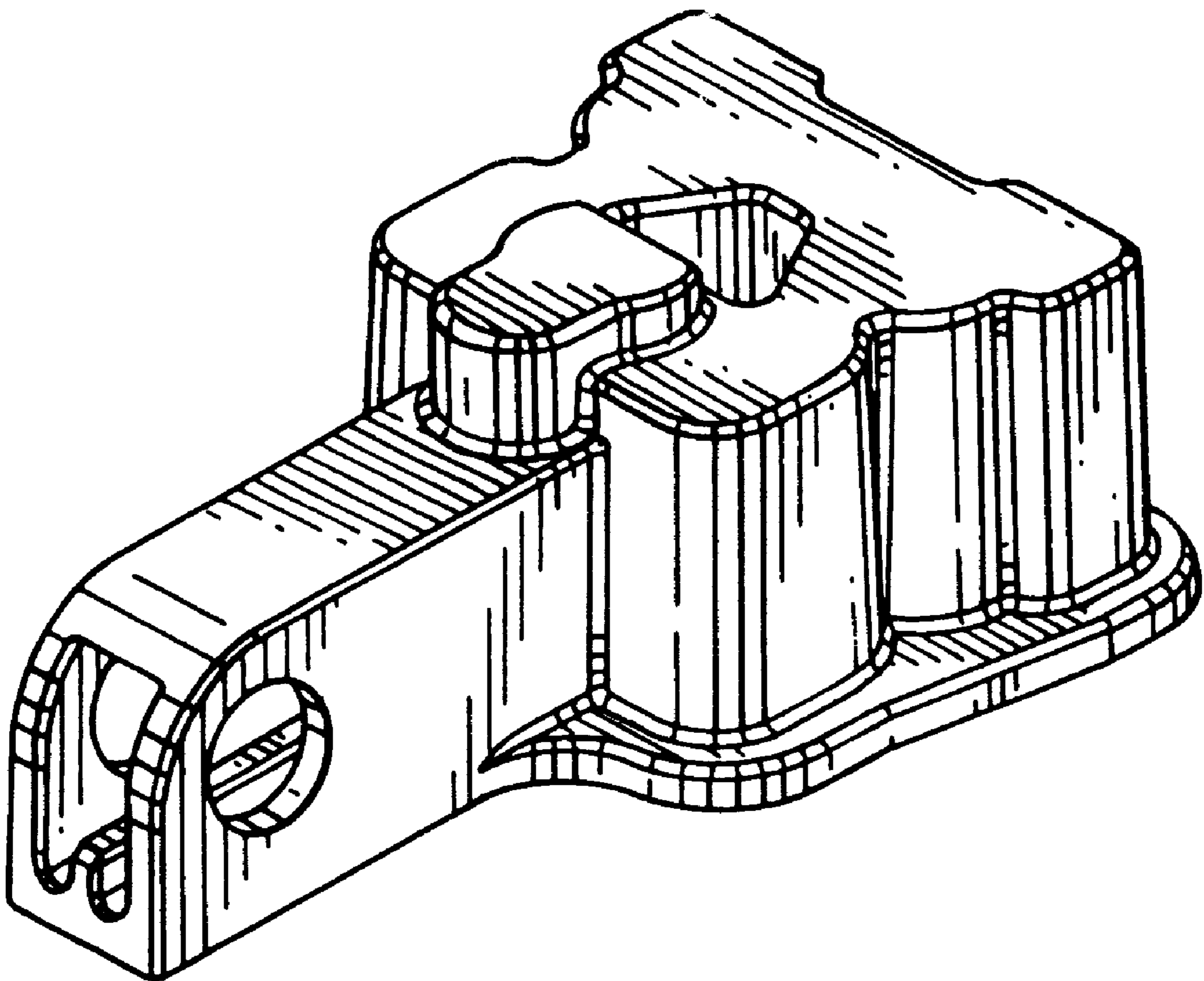
(57) **CLAIM**

The ornamental design for an electrical plug lockout, as shown and described.

DESCRIPTION

FIG. 1 is a top frontal perspective view of the electrical plug lockout;
 FIG. 2 is a rear top perspective view of the electrical plug lockout;
 FIG. 3 is a bottom frontal perspective view of the electrical plug lockout;
 FIG. 4 is a right side view of the electrical plug lockout;
 FIG. 5 is a left side view of the electrical plug lockout;
 FIG. 6 is a front elevational view of the electrical plug lockout;
 FIG. 7 is a rear elevational view of the electrical plug lockout;
 FIG. 8 is a top view of the electrical plug lockout; and,
 FIG. 9 is a bottom view of the electrical plug lockout.

1 Claim, 3 Drawing Sheets



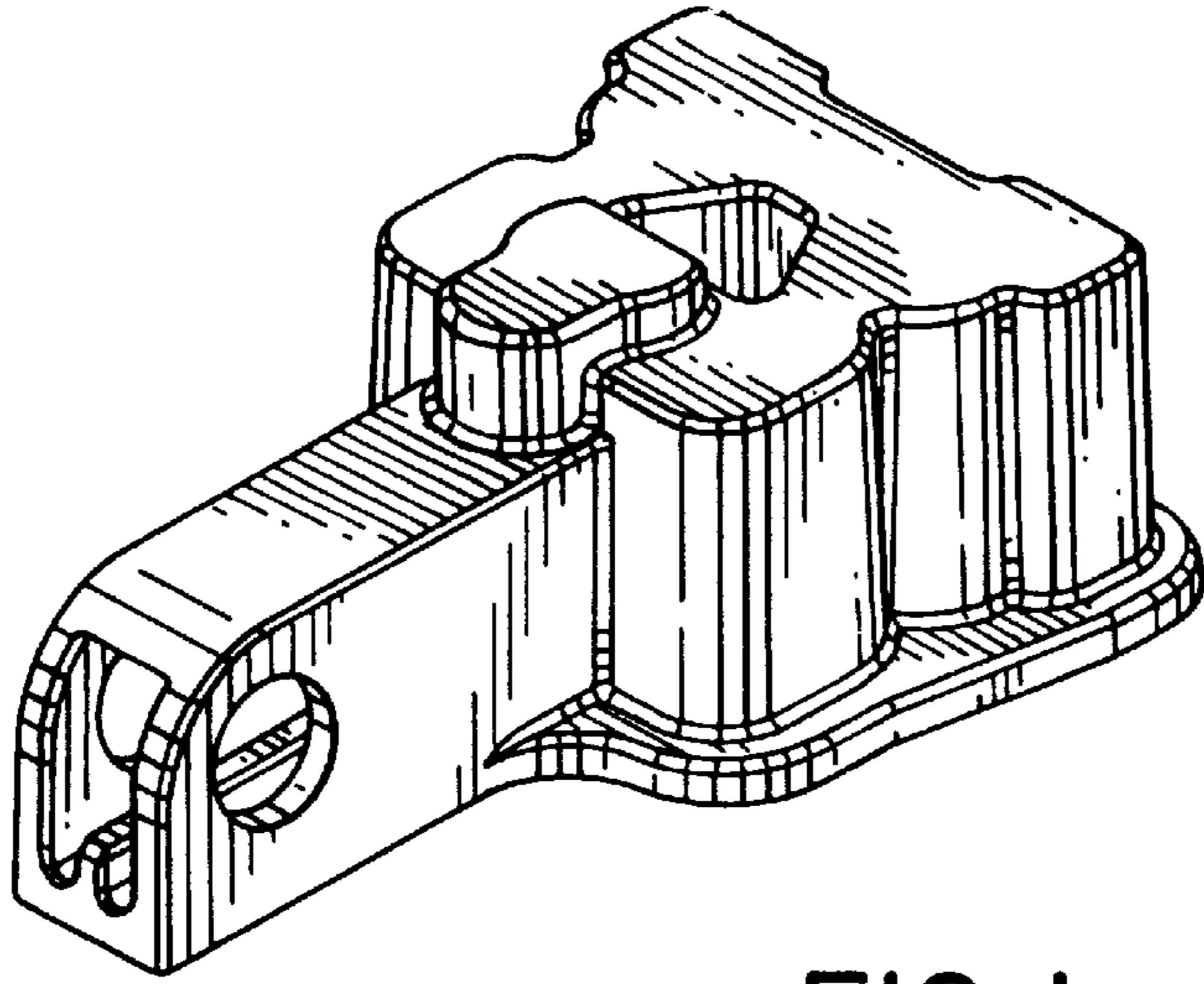


FIG. 1

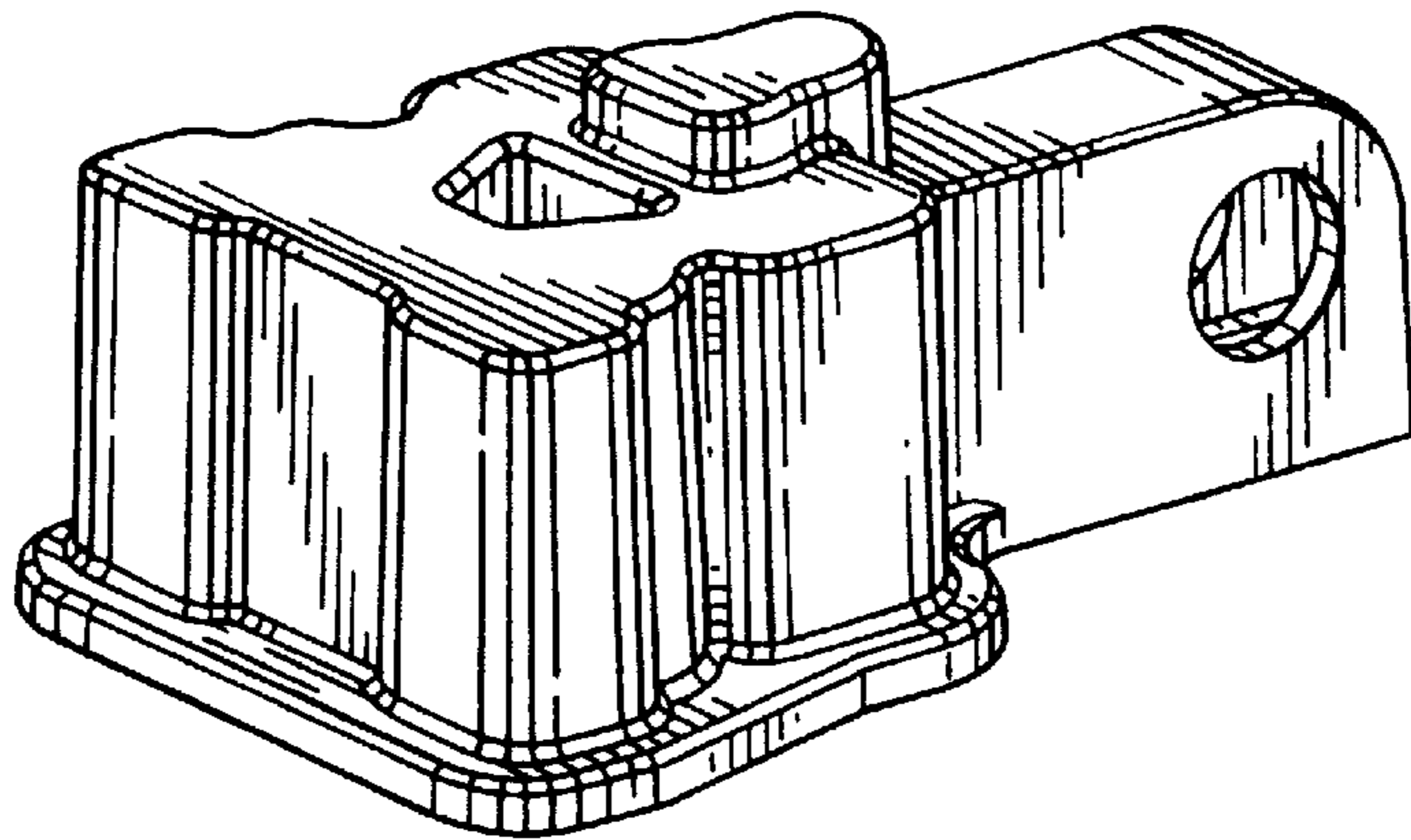


FIG. 2

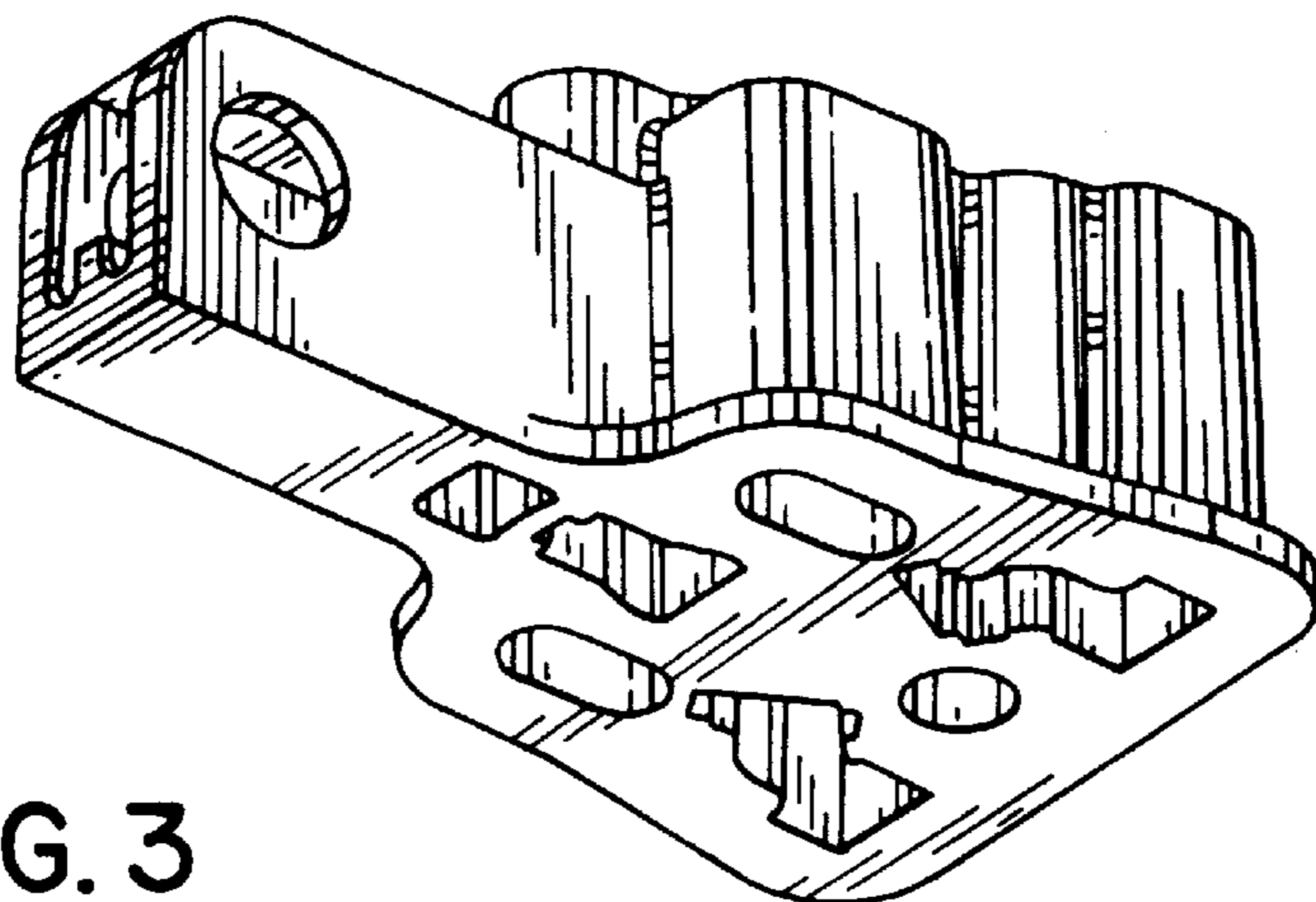


FIG. 3

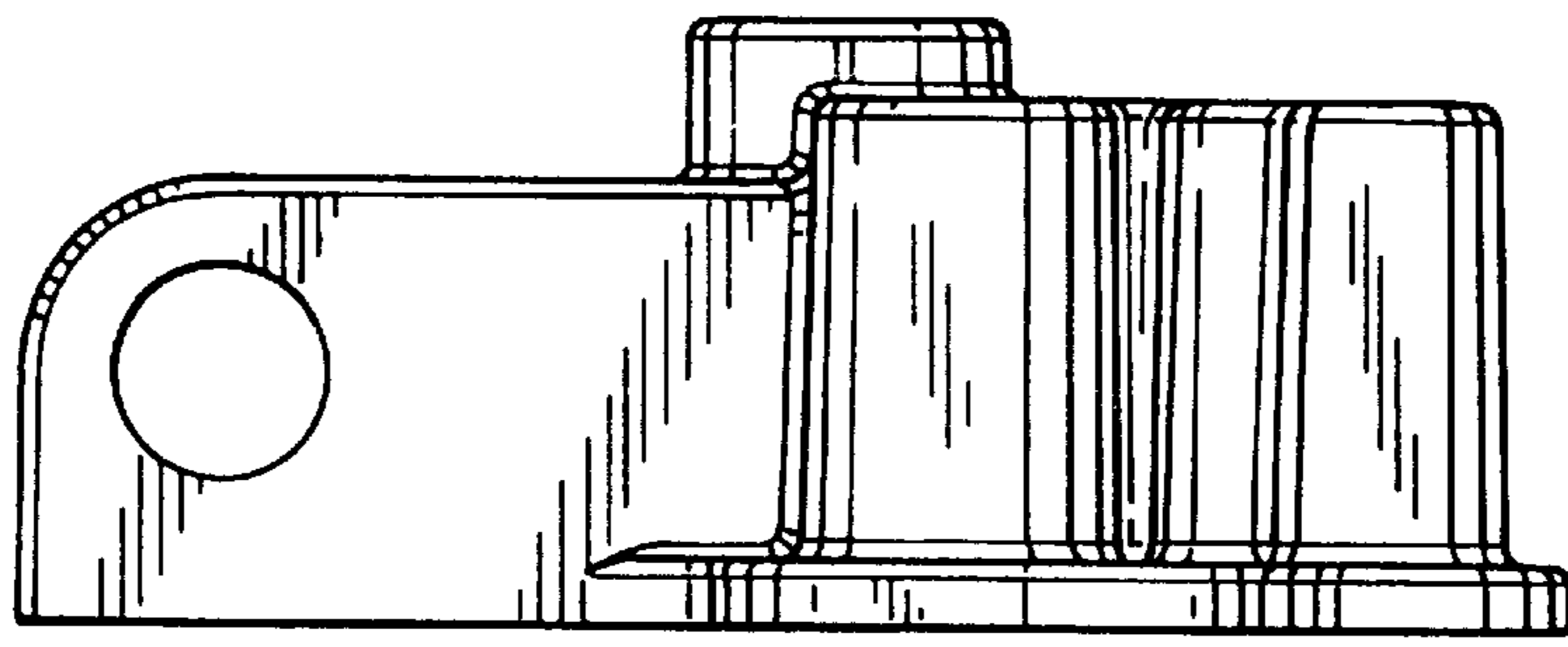


FIG. 4

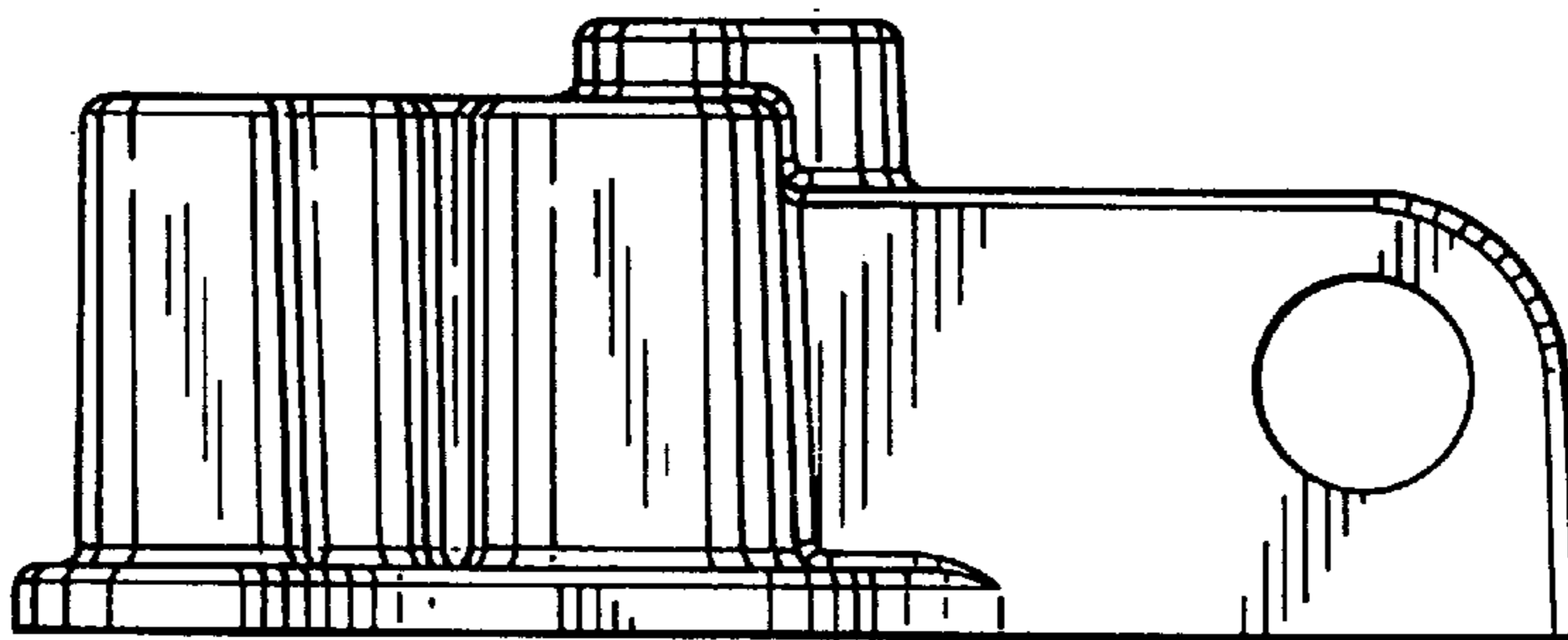


FIG. 5

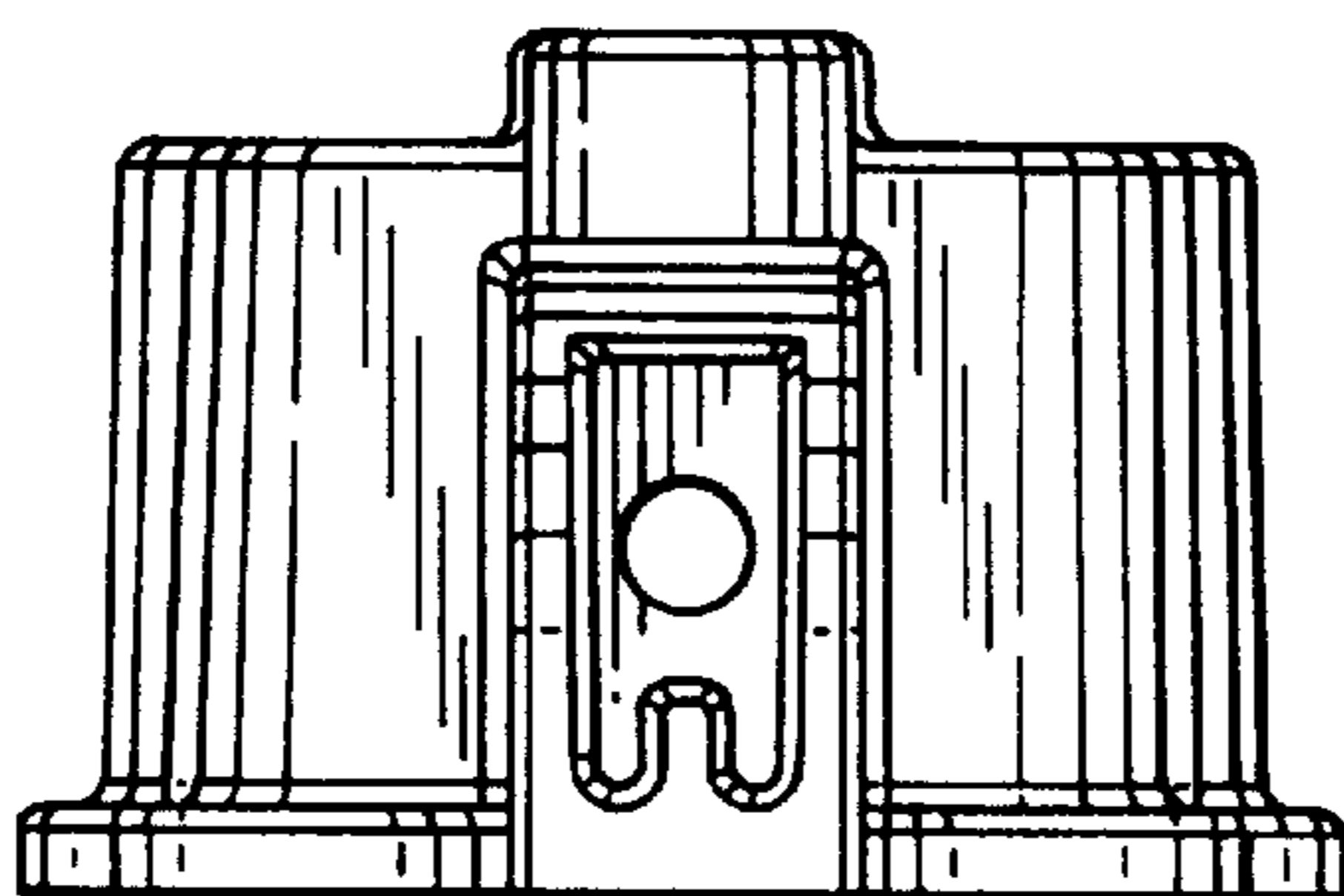


FIG. 6

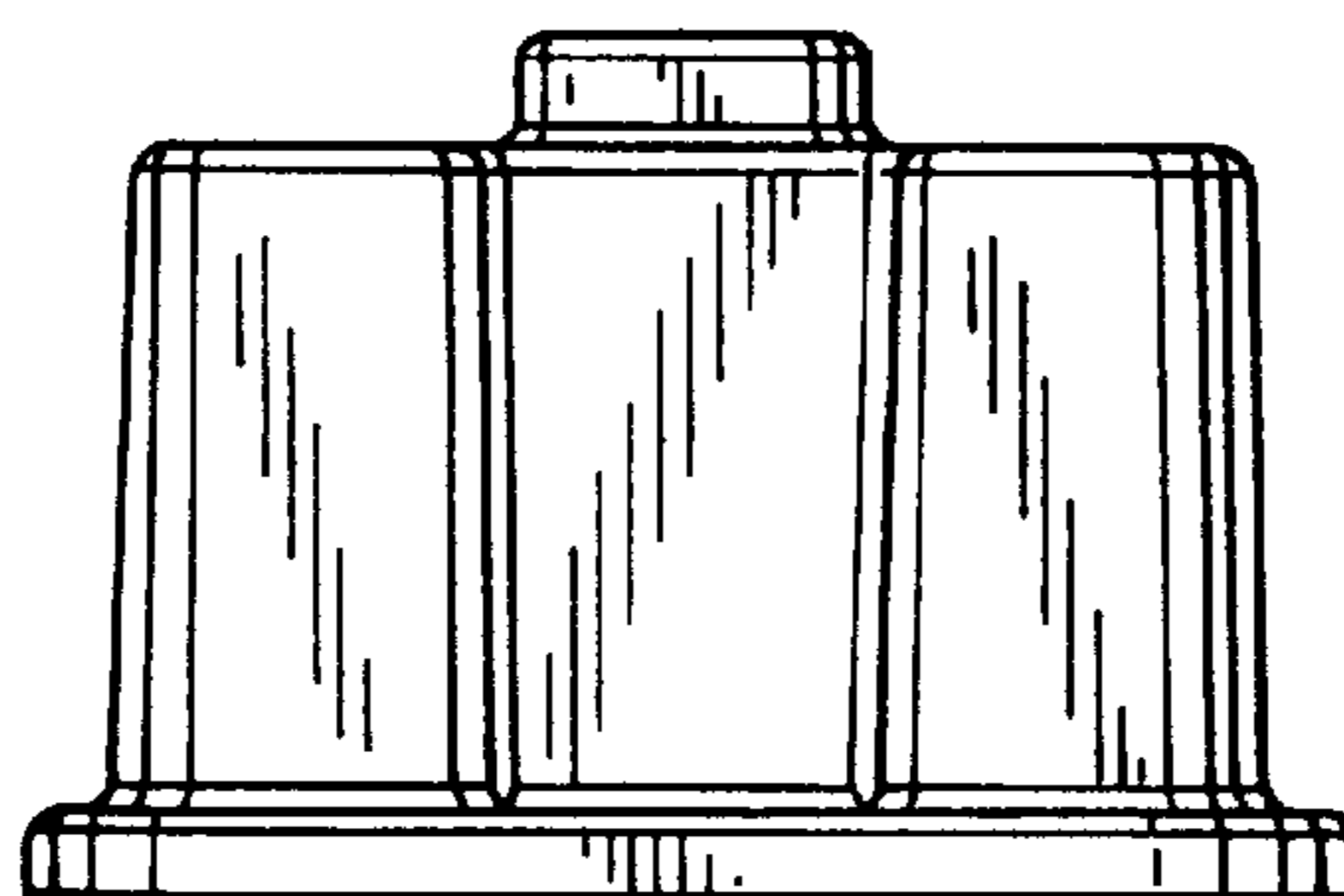


FIG. 7

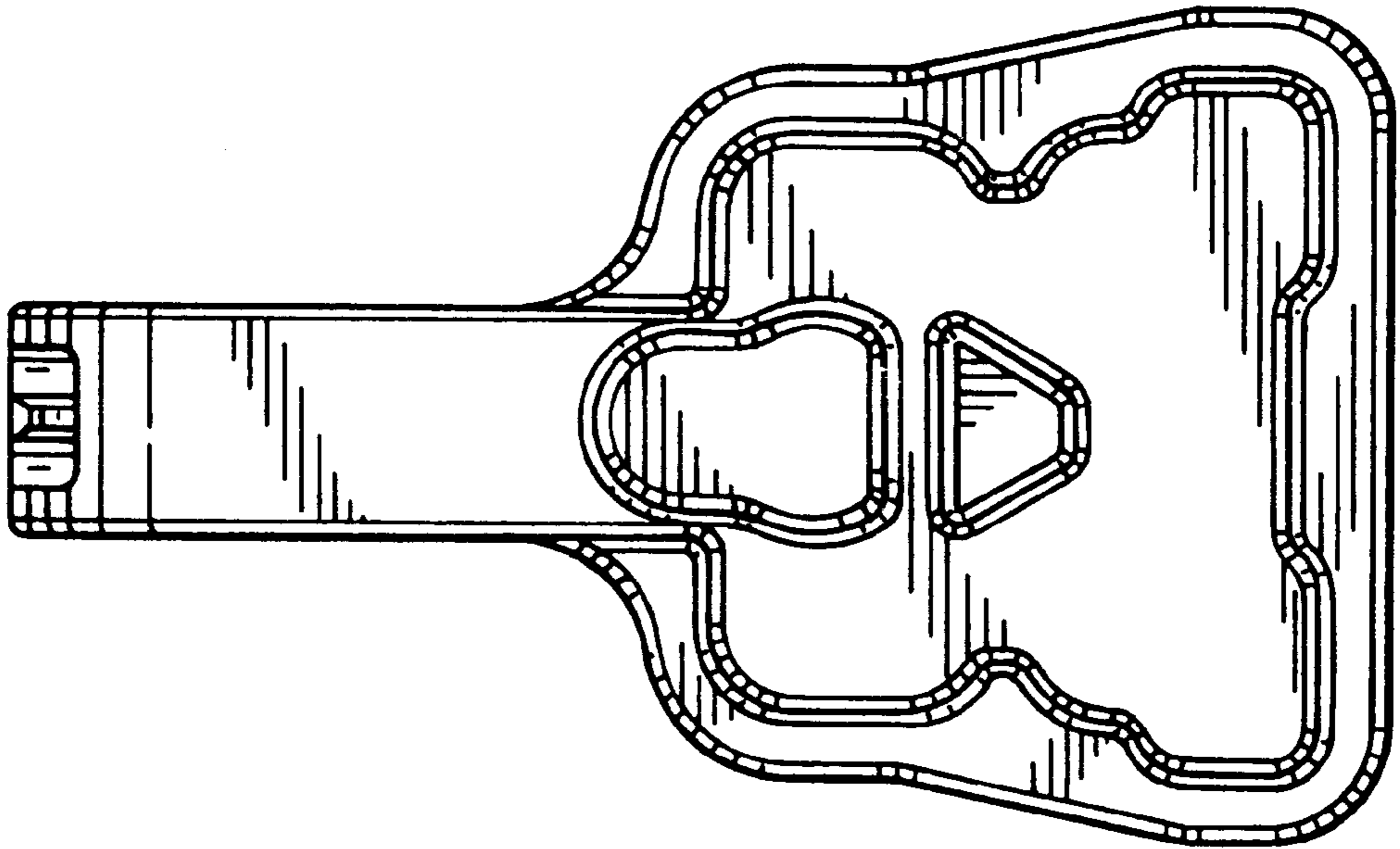


FIG. 8

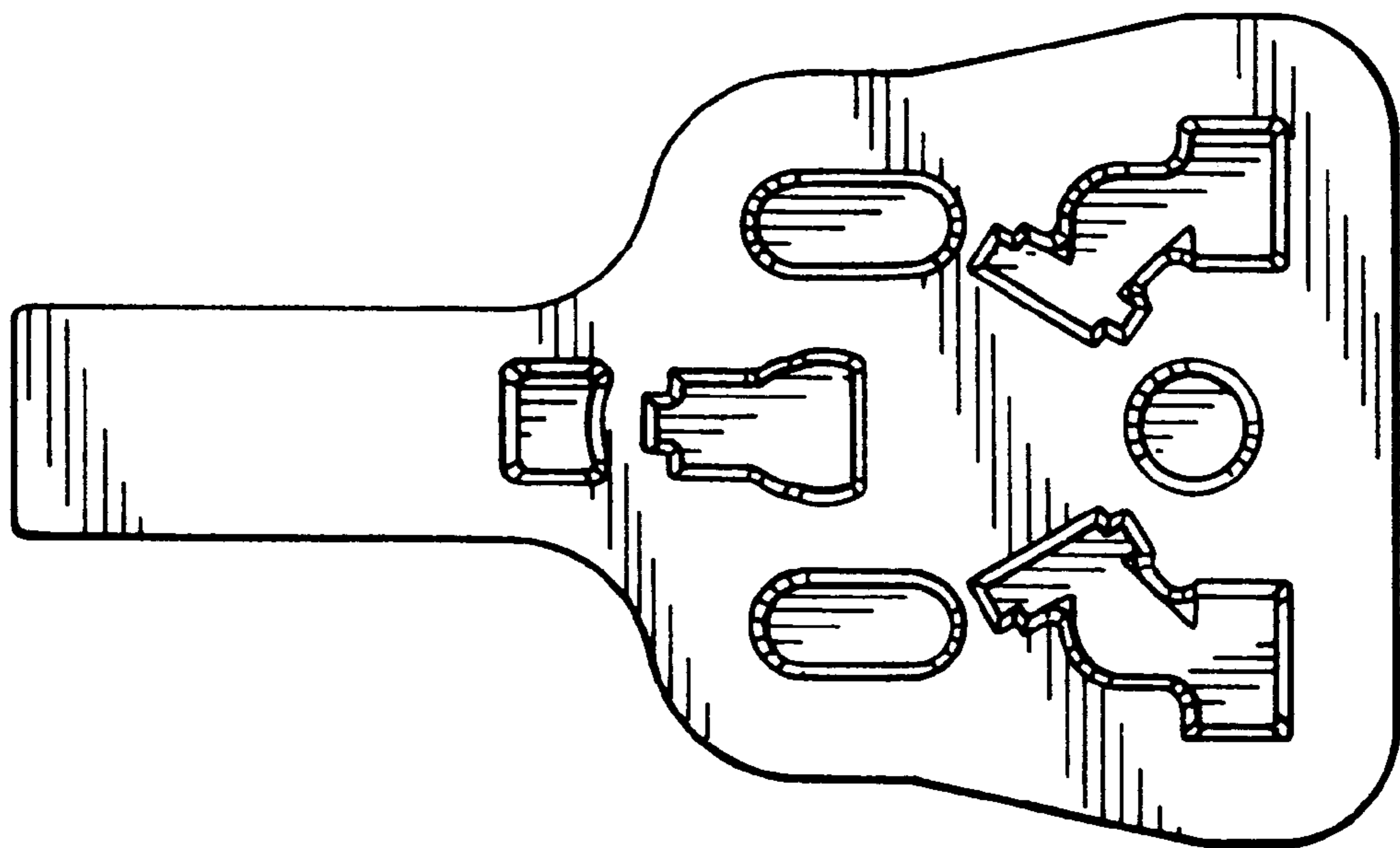


FIG. 9