



US00D437292S

(12) **United States Design Patent**
Hwang

(10) **Patent No.:** **US D437,292 S**

(45) **Date of Patent:** **** Feb. 6, 2001**

(54) **PANEL MOUNTED ELECTRICAL CONNECTOR**

(75) **Inventor:** **Jenq-Yih Hwang, Irvine, CA (US)**

(73) **Assignee:** **Hon Hai Precision Ind. Co., Ltd., Taipei Hsien (TW)**

(**) **Term:** **14 Years**

(21) **Appl. No.:** **29/125,215**

(22) **Filed:** **Jun. 20, 2000**

(51) **LOC (7) Cl.** **13-03**

(52) **U.S. Cl.** **D13/147**

(58) **Field of Search** D13/146, 147, D13/184; 439/248, 260, 545, 546, 564, 571, 572, 573, 607-610

(56) **References Cited**

U.S. PATENT DOCUMENTS

- D. 404,018 * 1/1999 Tucker et al. D13/184
- 4,827,609 * 5/1989 Kawecki 439/573 X

- 5,114,364 * 5/1992 Hunter 439/607 X
- 5,400,216 * 3/1995 Tsai 439/638 X
- 5,676,562 * 10/1997 Fukuda 439/329
- 5,759,059 * 6/1998 Chang et al. 439/374

* cited by examiner

Primary Examiner—Joel Sincavage

(74) *Attorney, Agent, or Firm*—Wei Te Chung

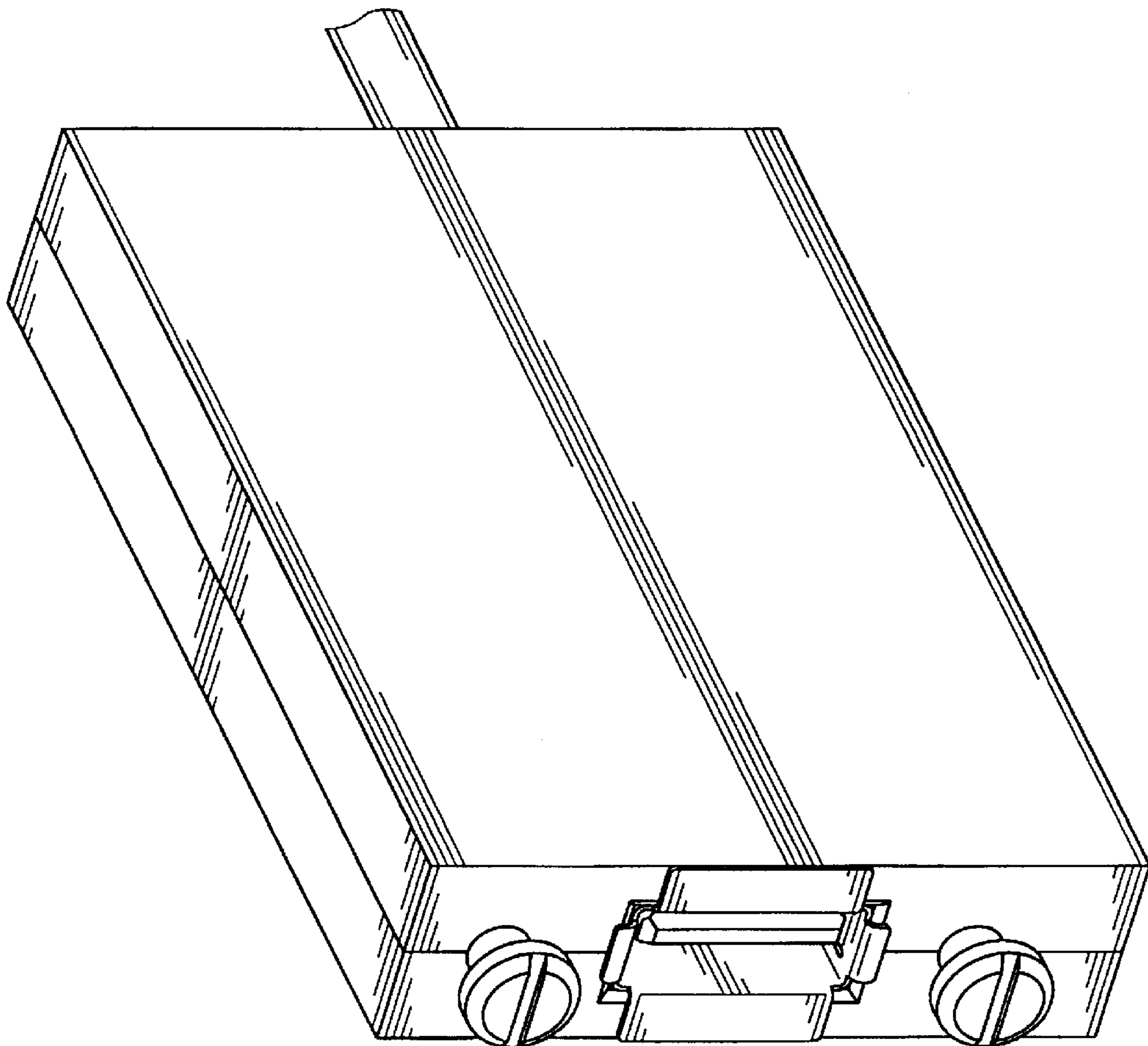
(57) **CLAIM**

The ornamental design for a panel mounted electrical connector, as shown.

DESCRIPTION

FIG. 1 is a front, top and left side perspective view of a panel mounted electrical connector showing my new design; FIG. 2 is a front elevational view thereof; FIG. 3 is a rear elevational view thereof; FIG. 4 is a left side elevational view thereof; FIG. 5 is a right side elevational view thereof; FIG. 6 is a top plan view thereof; and, FIG. 7 is a bottom plan view thereof.

1 Claim, 5 Drawing Sheets



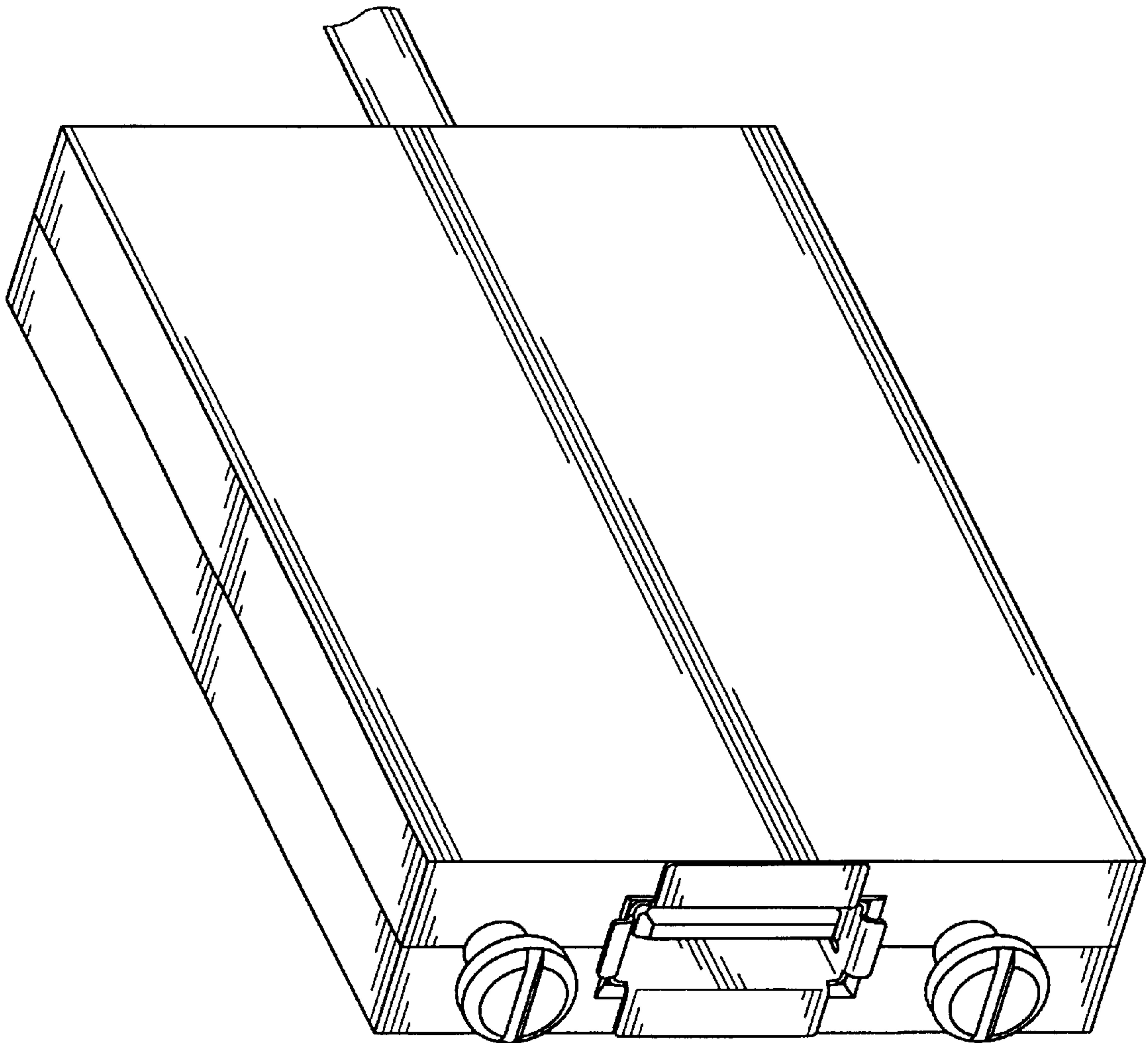


FIG. 1

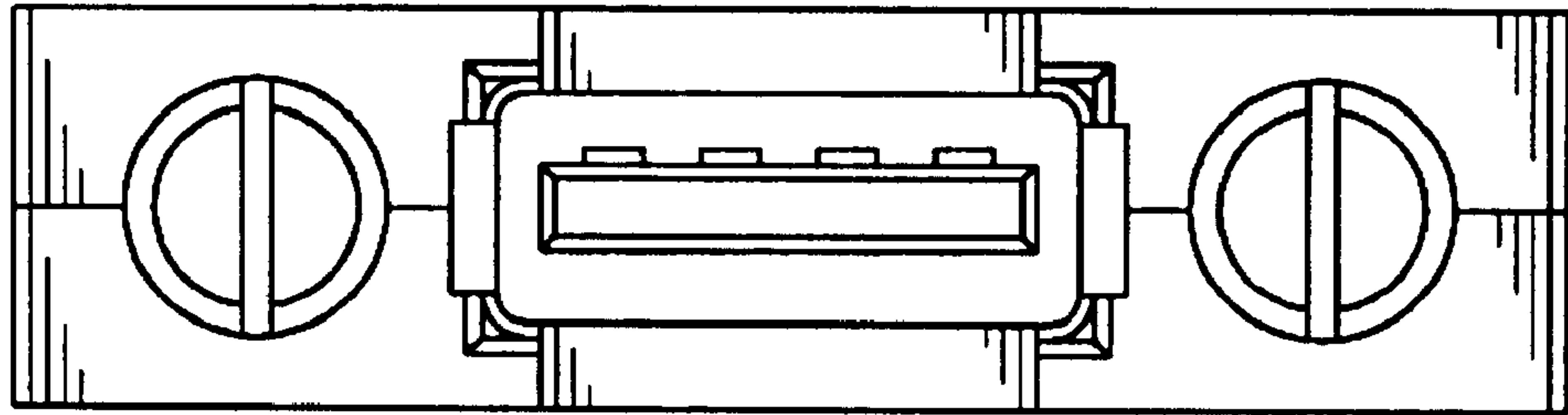


FIG. 2

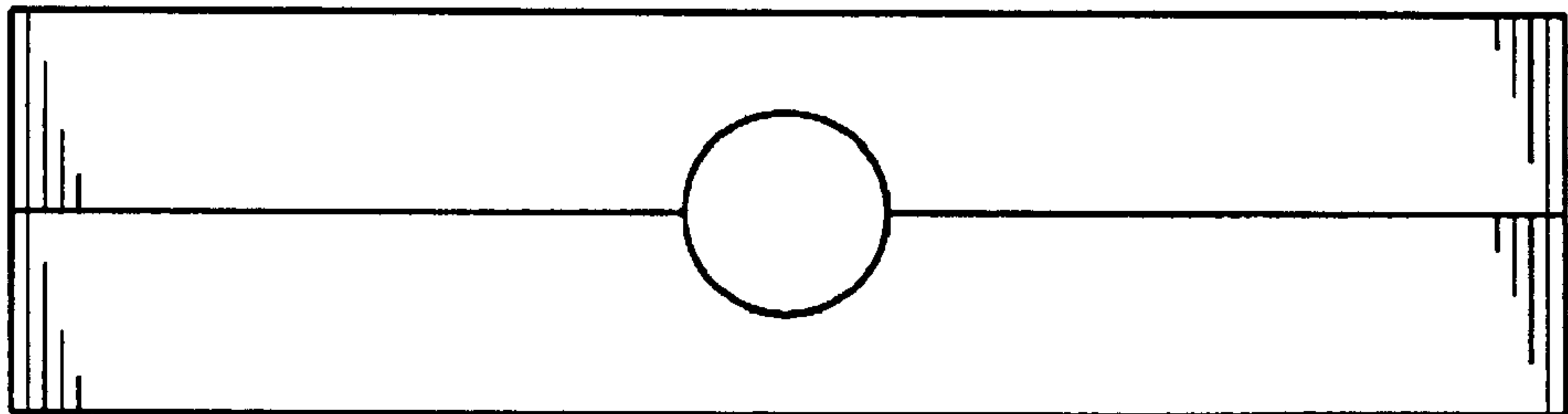


FIG. 3

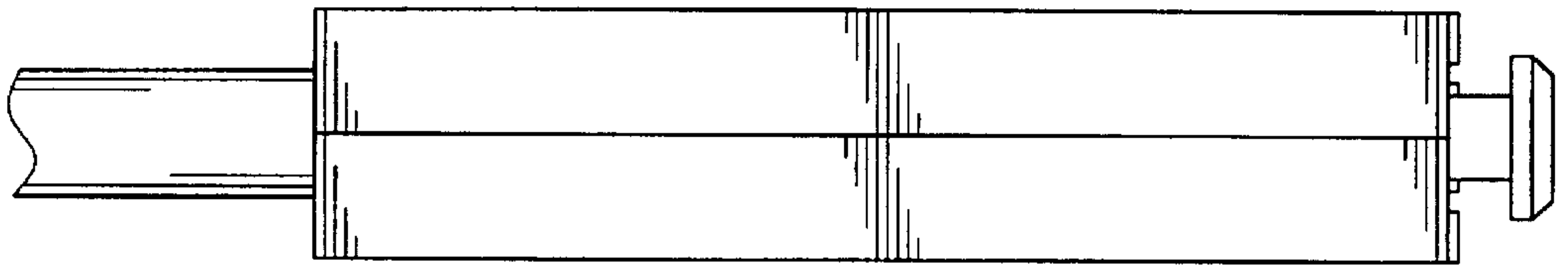


FIG. 4

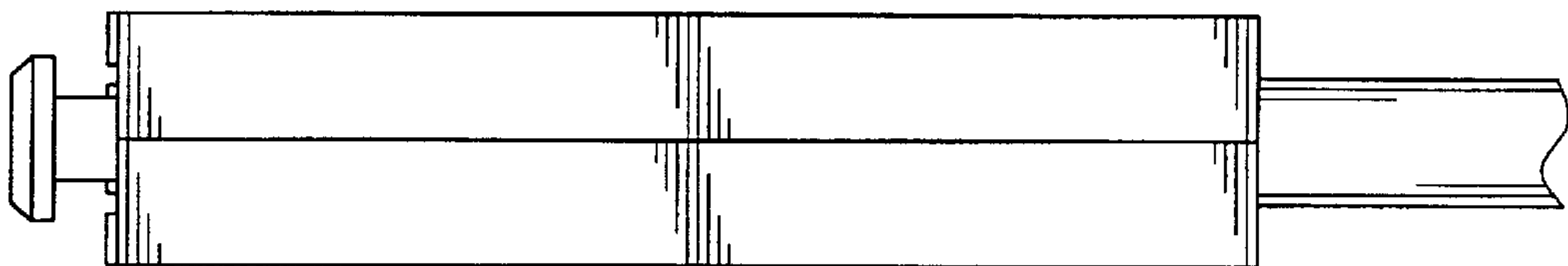


FIG. 5

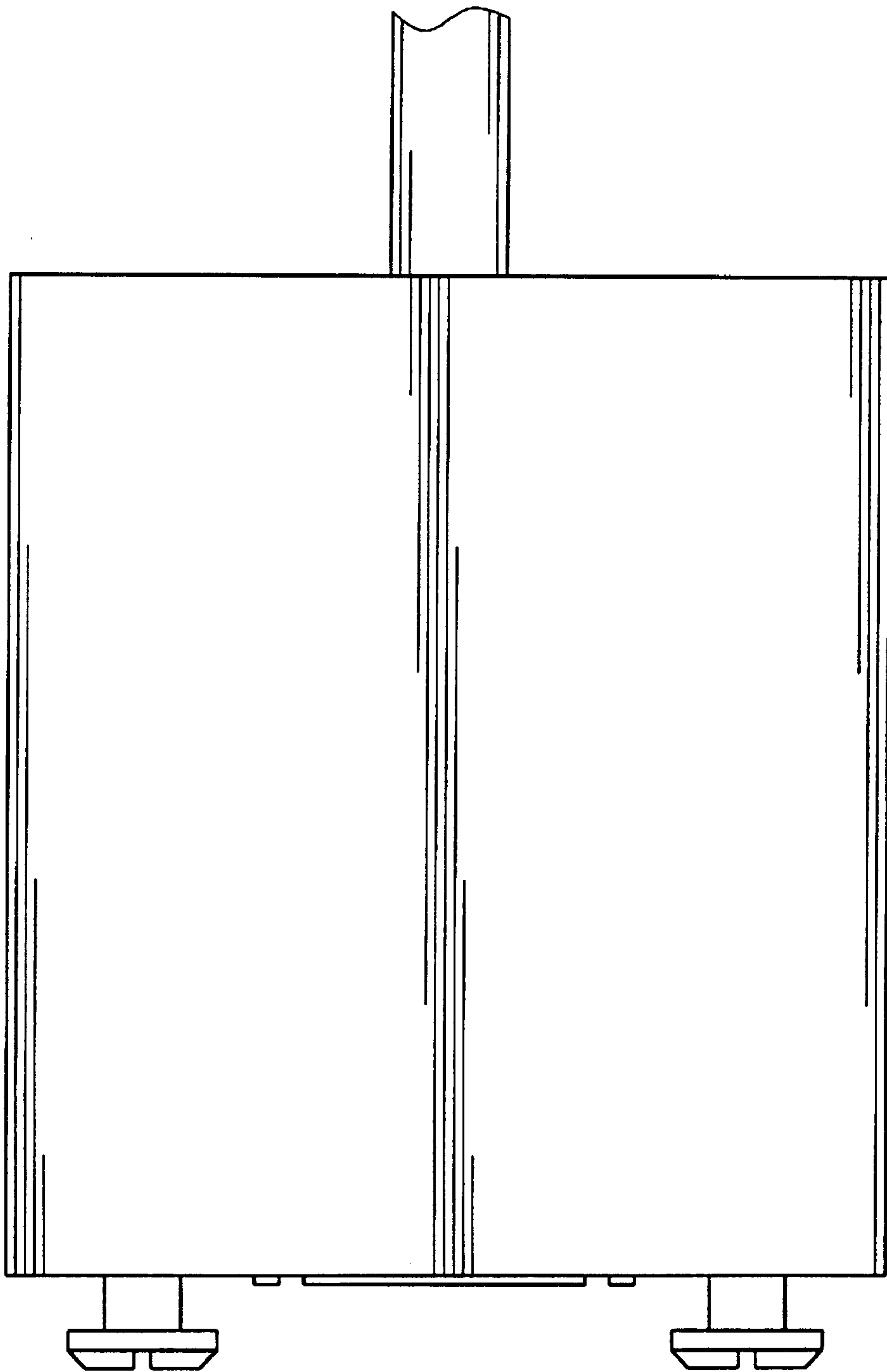


FIG. 6

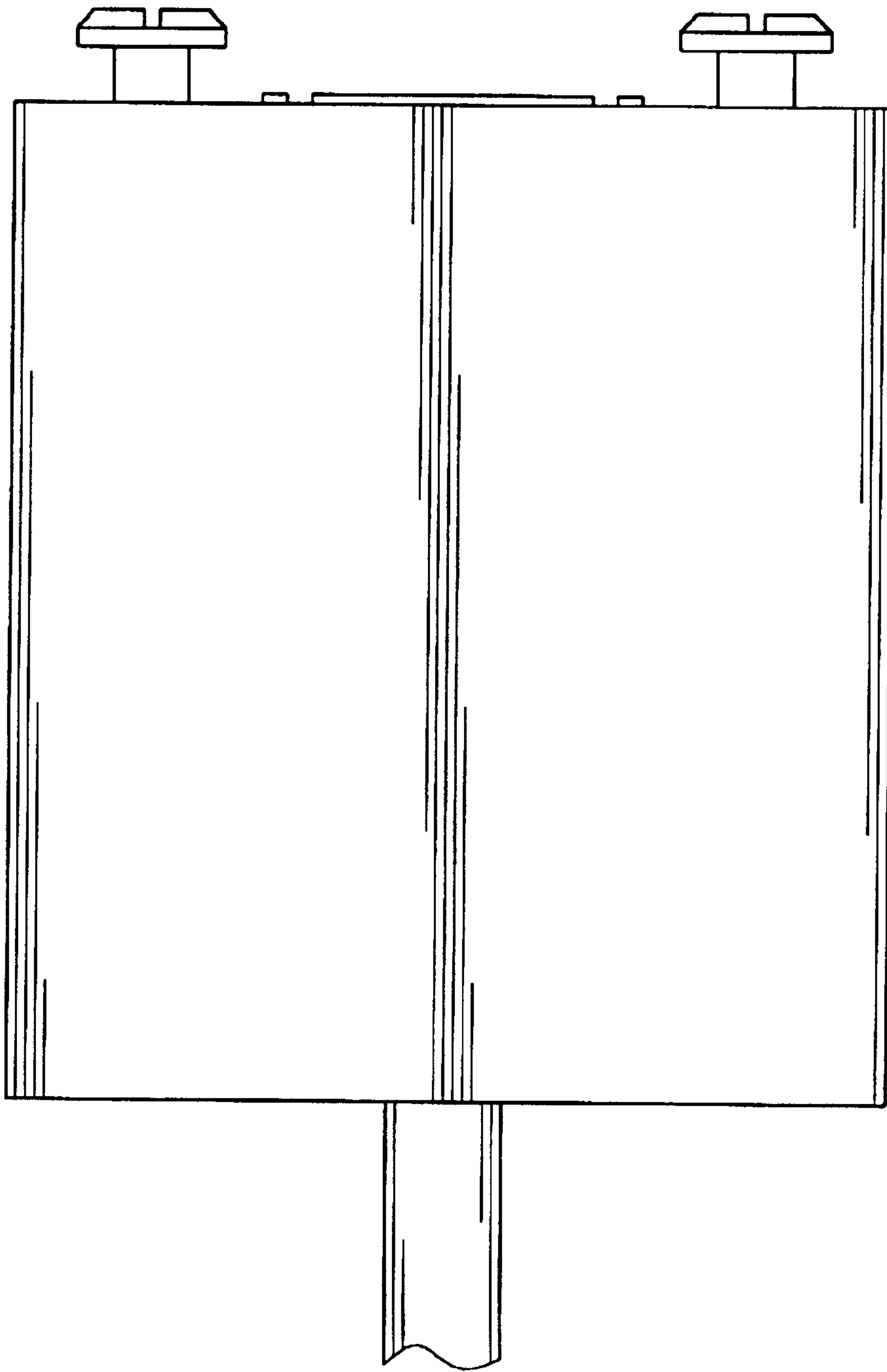


FIG. 7