



US00D437290S

(12) **United States Design Patent**
Goto

(10) **Patent No.:** **US D437,290 S**

(45) **Date of Patent:** **** Feb. 6, 2001**

(54) **CONNECTOR**

5,435,744 * 7/1995 Derstine et al. 439/352

(75) Inventor: **Teiyu Goto**, Tokyo (JP)

FOREIGN PATENT DOCUMENTS

(73) Assignee: **Sony Computer Entertainment Inc.**
(JP)

H1-3431 7/1996 (JP) .

(**) Term: **14 Years**

* cited by examiner

(21) Appl. No.: **29/115,717**

Primary Examiner—Joel Sincavage

(22) Filed: **Dec. 21, 1999**

(74) *Attorney, Agent, or Firm*—Rader, Fishman & Grauer

(30) **Foreign Application Priority Data**

(57) **CLAIM**

Aug. 26, 1999 (JP) 11-22660

The ornamental design for a connector, as shown and described.

(51) **LOC (7) Cl.** **13-03**

DESCRIPTION

(52) **U.S. Cl.** **D13/147**

FIG. 1 is a top, left, front perspective view of a connector showing my new design;

(58) **Field of Search** D13/146, 147;
439/660, 678, 682, 687, 689, 692

FIG. 2 is a front elevational view thereof;

FIG. 3 is a rear elevational view thereof;

FIG. 4 is a left side elevational view thereof, a right side elevational view being a mirror image;

FIG. 5 is a top plan view thereof;

FIG. 6 is a bottom plan view thereof; and,

FIG. 7 is a top, right, rear perspective view thereof wherein the portions including the pins and a cord in broken lines are for illustrative purposes only and form no part of the claimed design.

(56) **References Cited**

U.S. PATENT DOCUMENTS

- D. 196,912 * 11/1963 Kostich D13/147
- D. 333,293 * 2/1993 Ashida D13/147
- D. 366,242 * 1/1996 Goto D13/147
- D. 378,912 * 4/1997 Oikawa D13/147
- D. 395,036 * 6/1998 Goto D13/147
- 4,126,369 * 11/1978 Rapata et al. 439/488

1 Claim, 3 Drawing Sheets

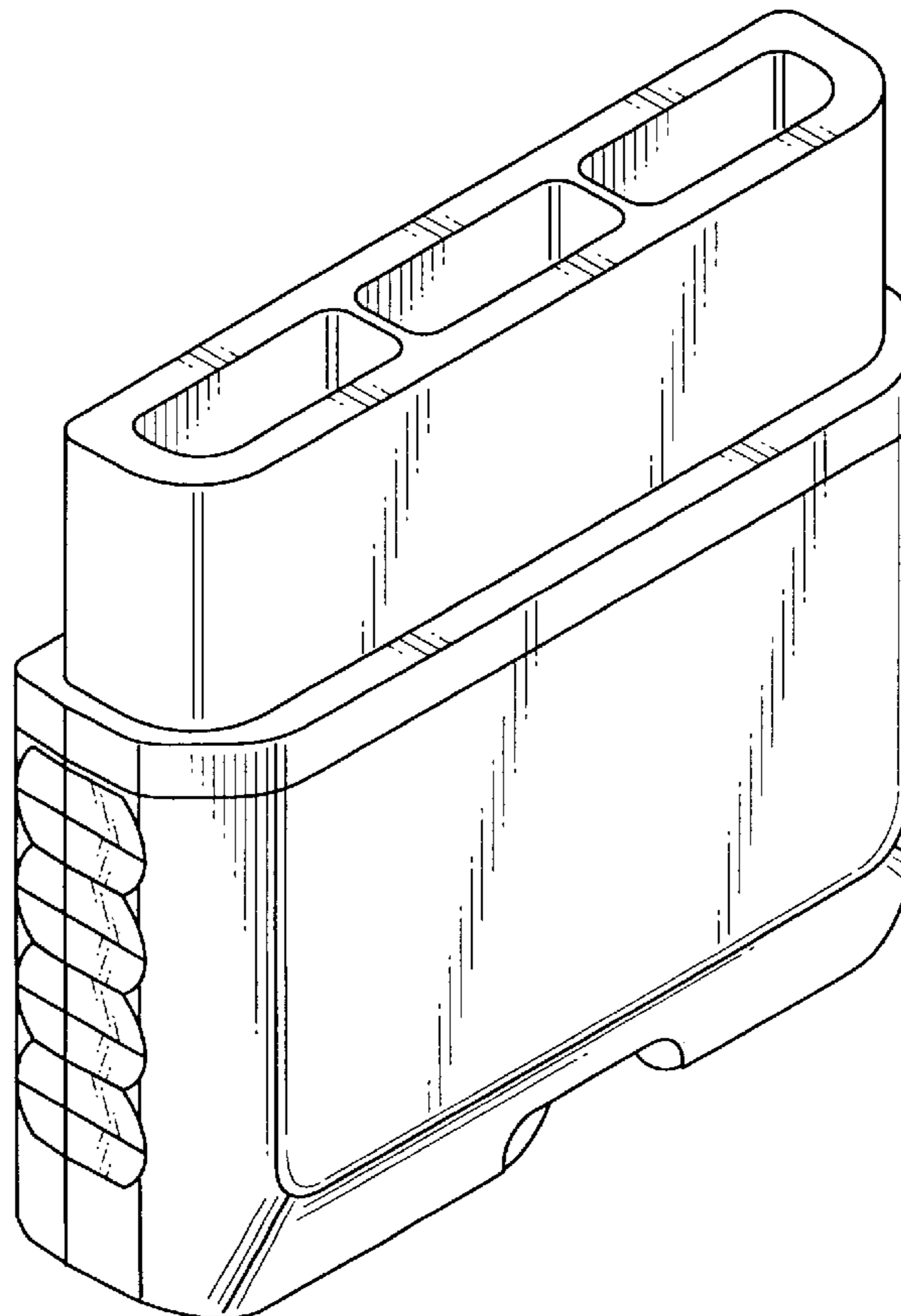


FIG. 2

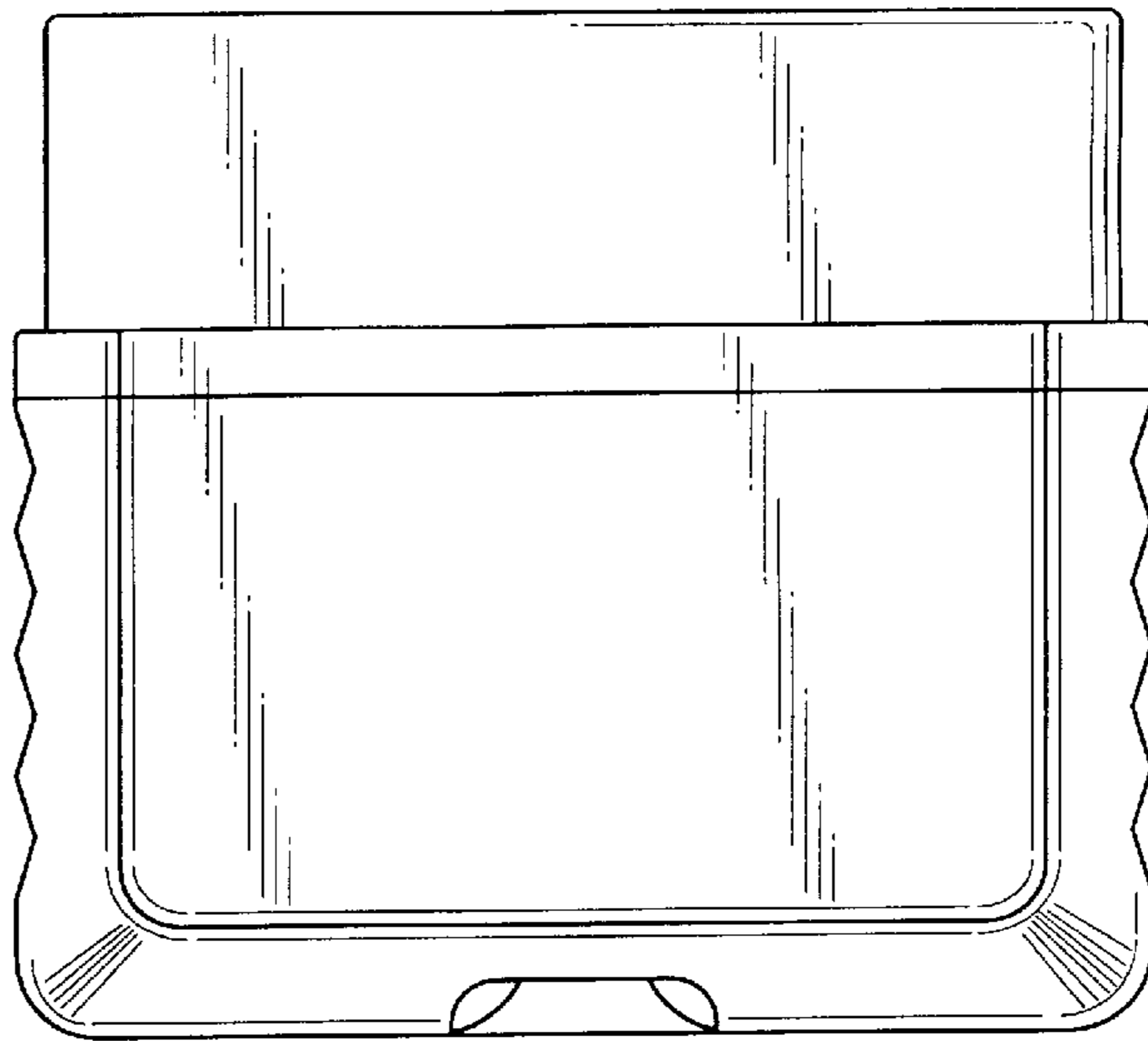


FIG. 1

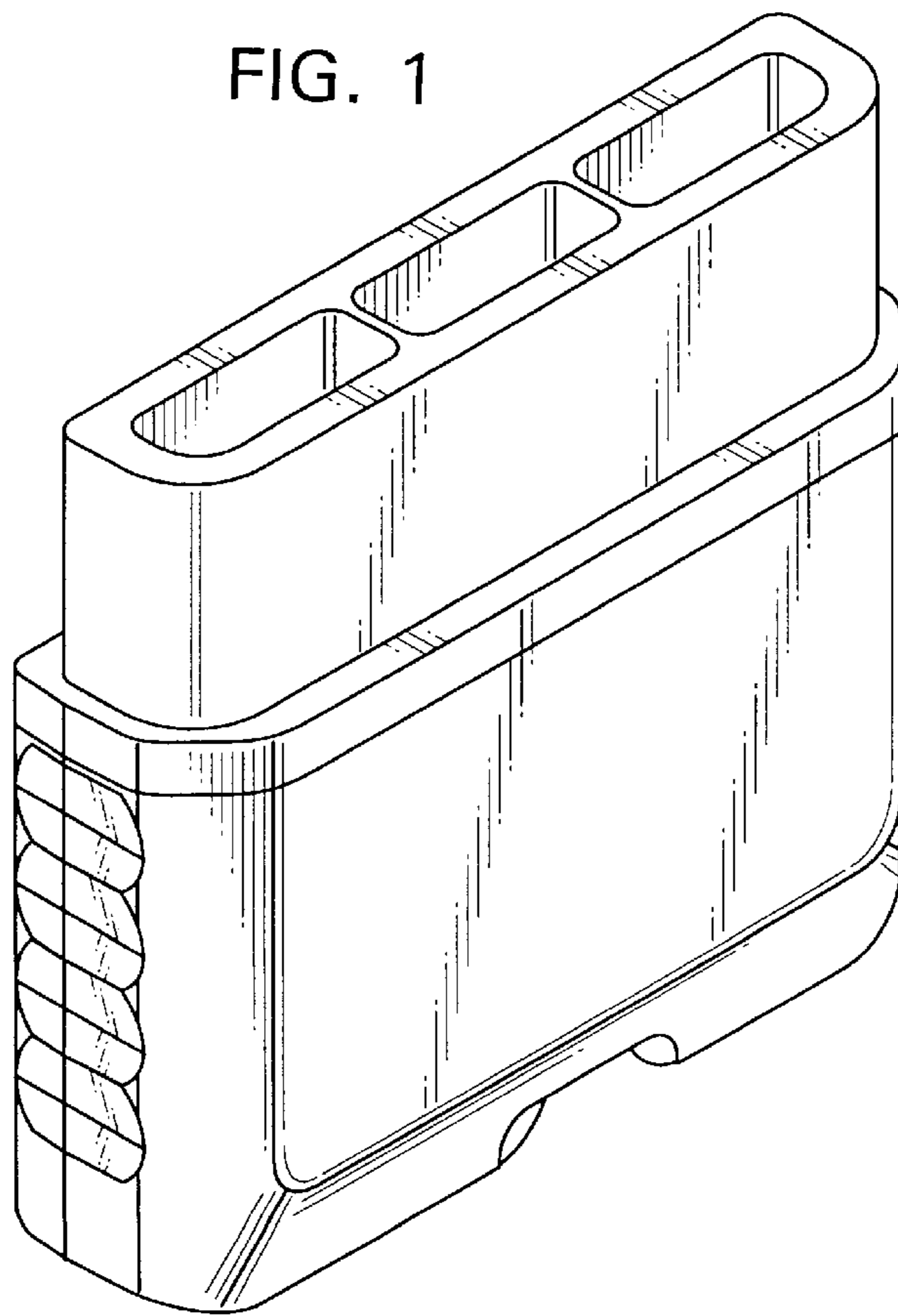


FIG. 3

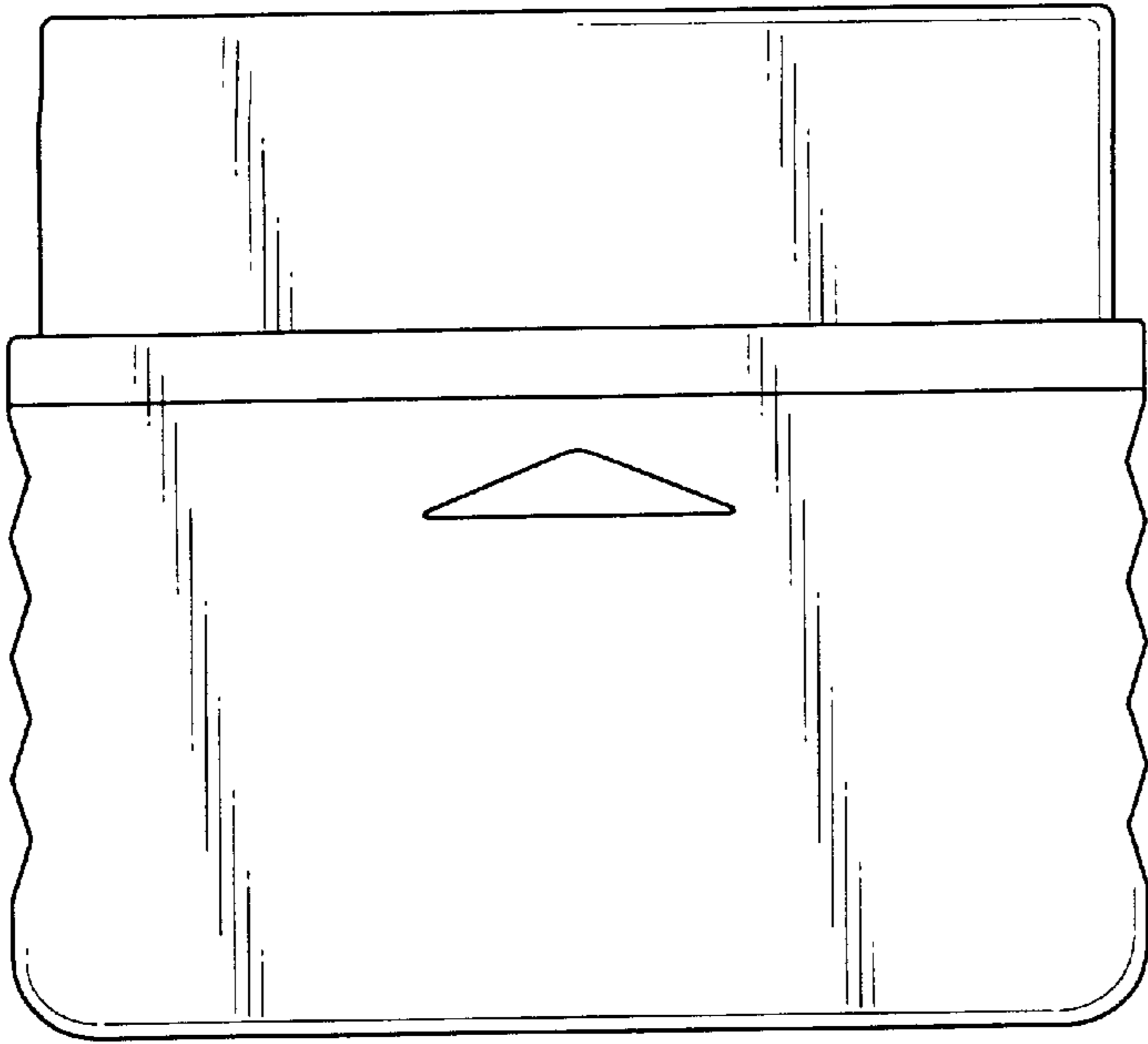


FIG. 4

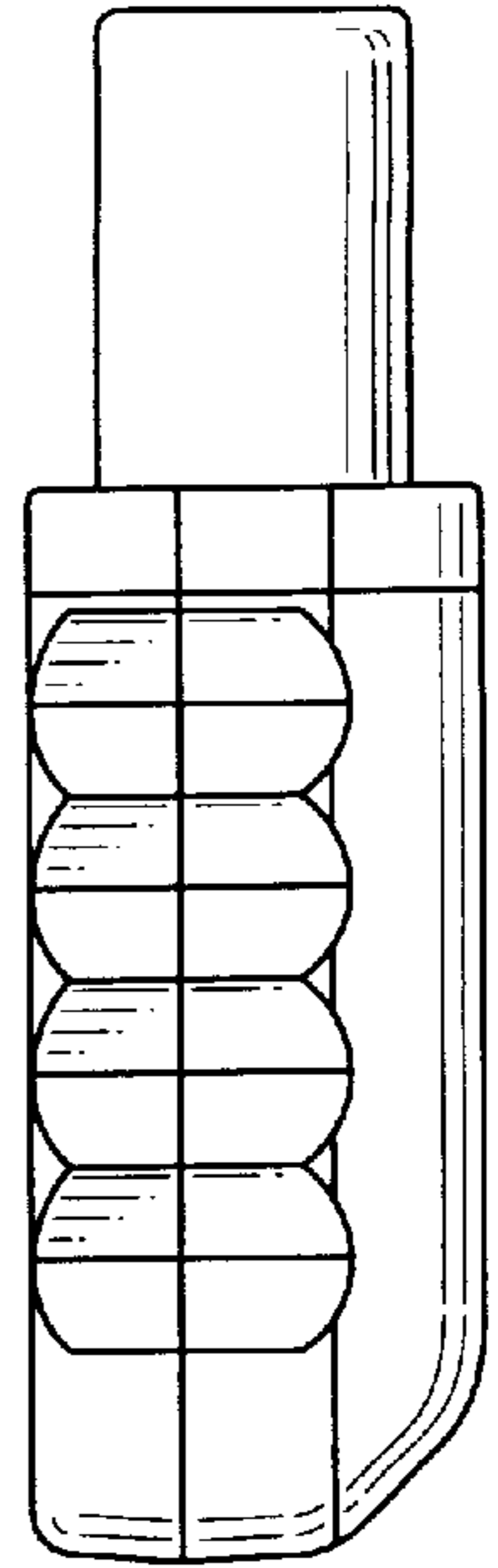


FIG. 5

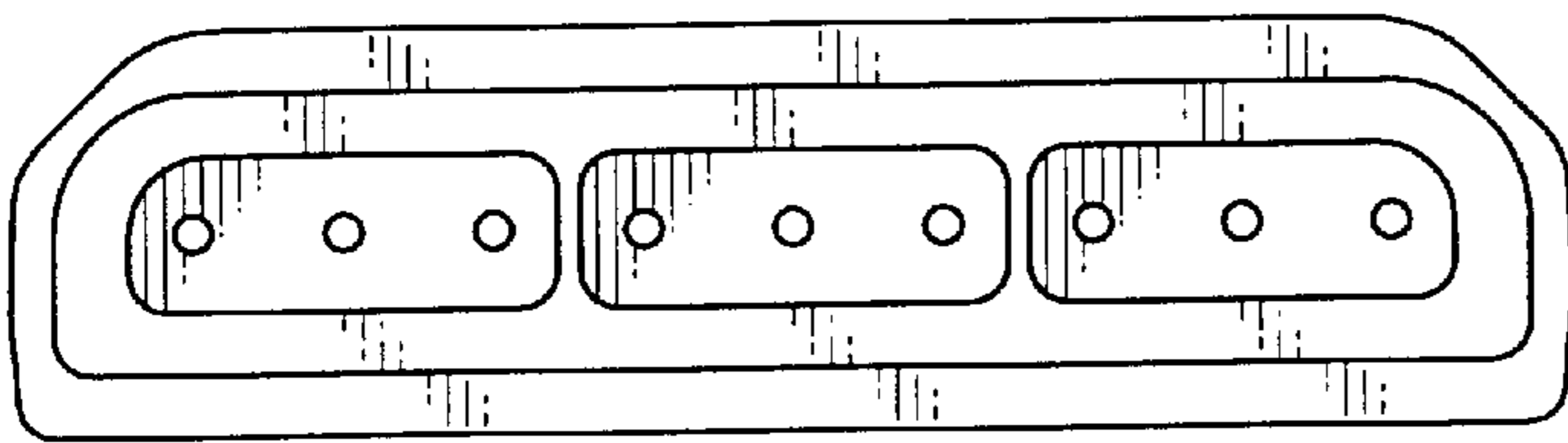


FIG. 6

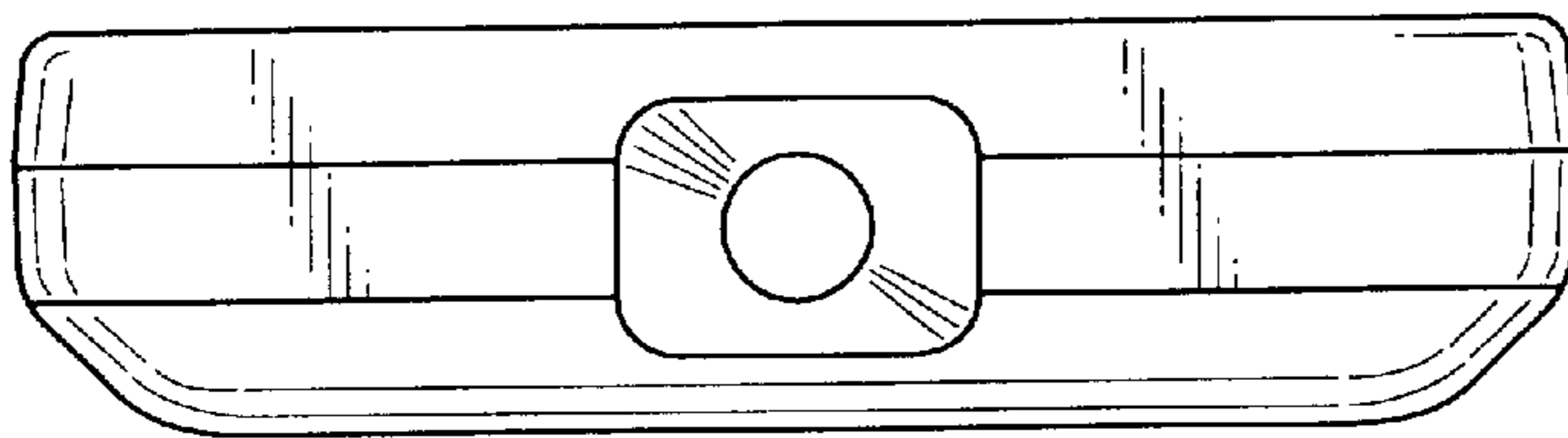


FIG. 7

