



US00D437289S

(12) **United States Design Patent**
Chase et al.

(10) **Patent No.:** **US D437,289 S**

(45) **Date of Patent:** **** Feb. 6, 2001**

(54) **GATEWAY DEVICE**

(75) Inventors: **Steven B. Chase**, Cupertino, CA (US);
Scott H. Wakefield, Andover, MA (US)

(73) Assignee: **2Wire, Inc.**, San Jose, CA (US)

(**) Term: **14 Years**

(21) Appl. No.: **29/109,814**

(22) Filed: **Aug. 24, 1999**

(51) **LOC (7) Cl.** **13-03**

(52) **U.S. Cl.** **D13/123; D14/357**

(58) **Field of Search** **D13/123, 147;**
D14/433, 434, 357, 358

(56) **References Cited**

U.S. PATENT DOCUMENTS

D. 344,710 * 3/1994 Morgan et al. D14/114

D. 366,455 * 1/1996 Cheng D13/147

* cited by examiner

Primary Examiner—Joel Sincavage

(74) *Attorney, Agent, or Firm*—Carr & Ferrell LLP

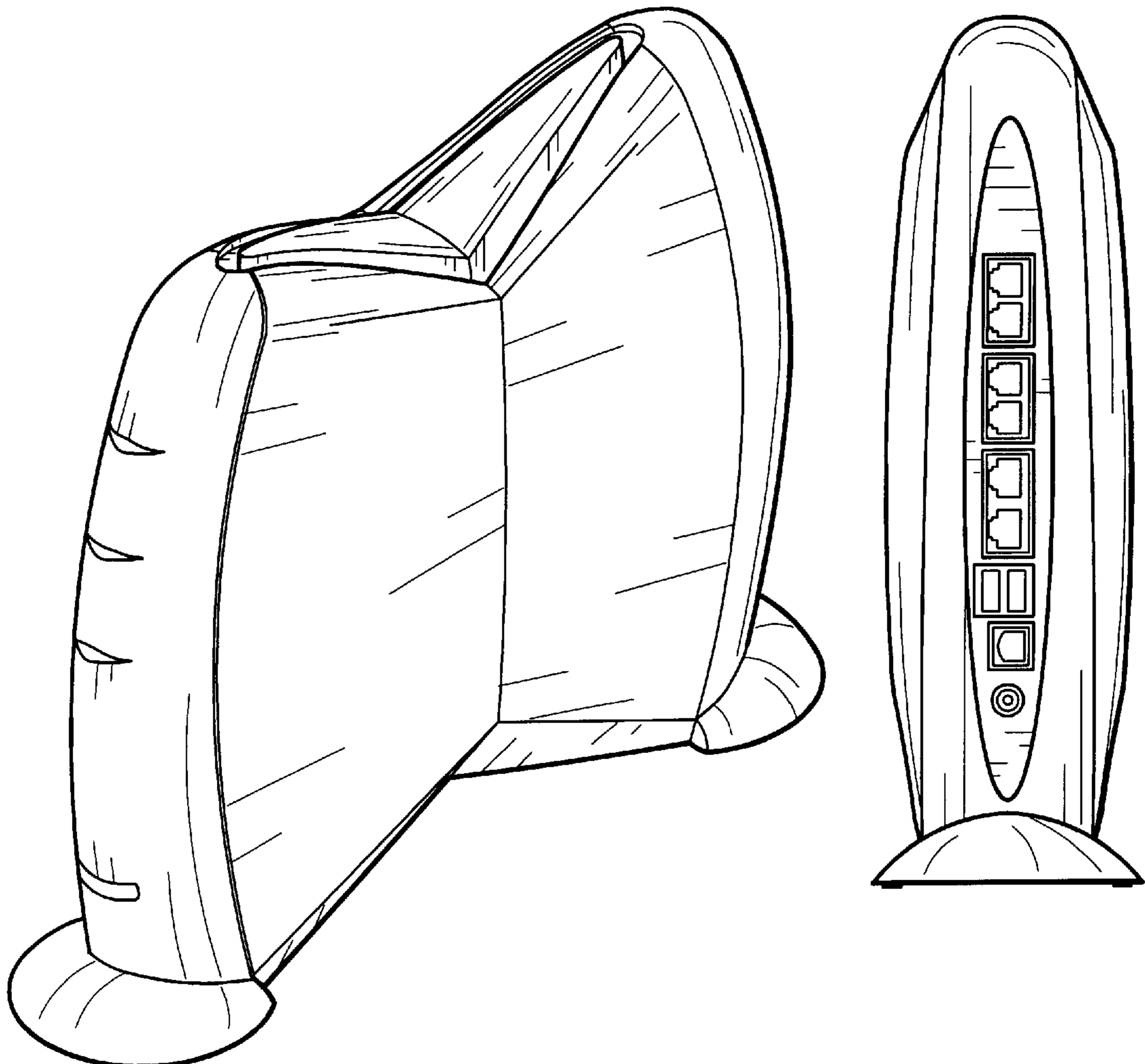
(57) **CLAIM**

The ornamental design for a gateway device, as shown and described.

DESCRIPTION

FIG. 1 is a perspective view showing the front, right, and top side of a gateway device, according to our new design; FIG. 2 is a perspective view showing the rear, left, and top side of a gateway device, according to our new design; FIG. 3 is a right side elevation view of the gateway device; FIG. 4 is a left side elevation view of the gateway device; FIG. 5 is a front elevation view of the gateway device; FIG. 6 is a rear elevation view of the gateway device; FIG. 7 is a bottom plan view of the gateway device; and, FIG. 8 is a top view of the gateway device in accordance with our new design.

1 Claim, 3 Drawing Sheets



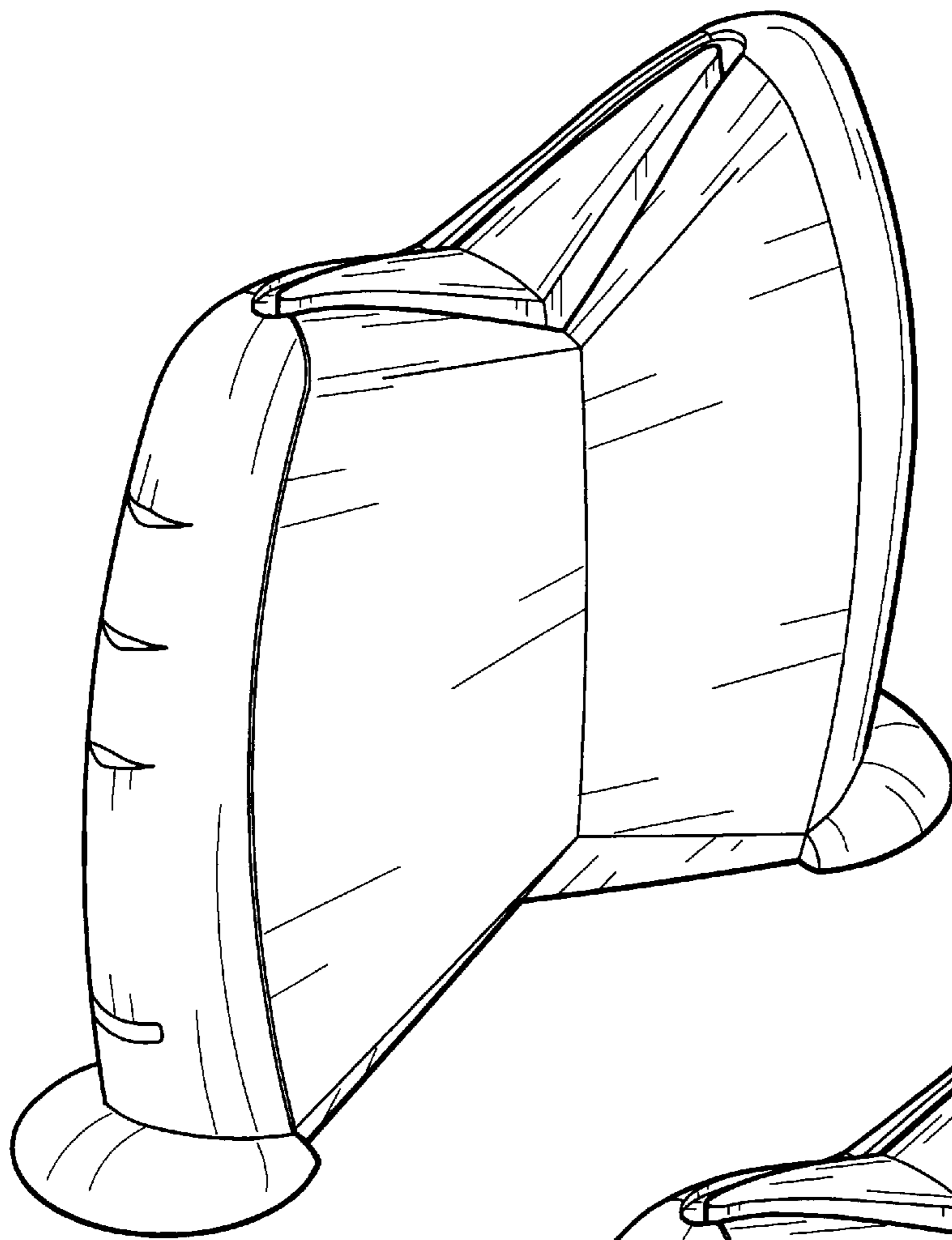
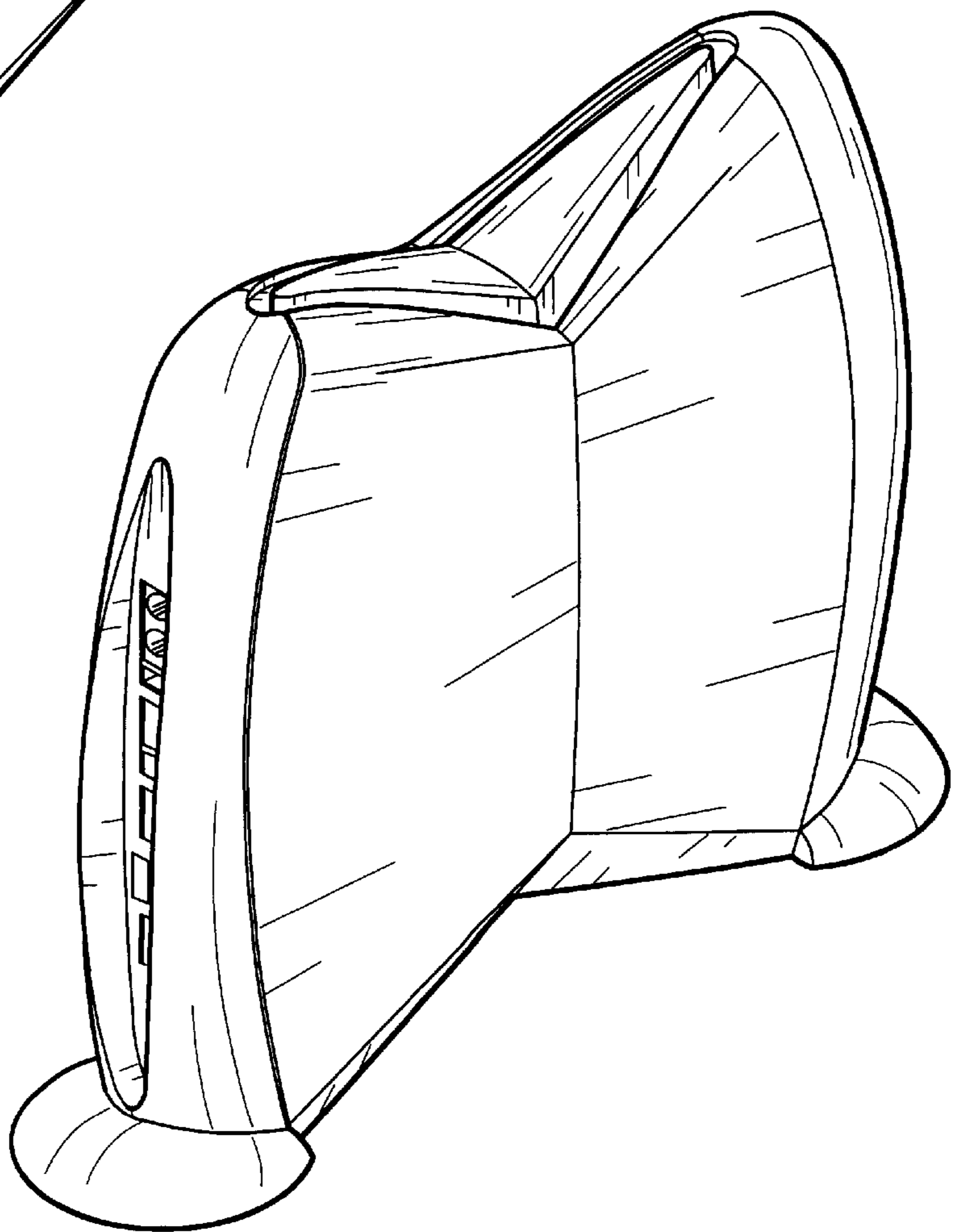


FIG. 1

FIG. 2



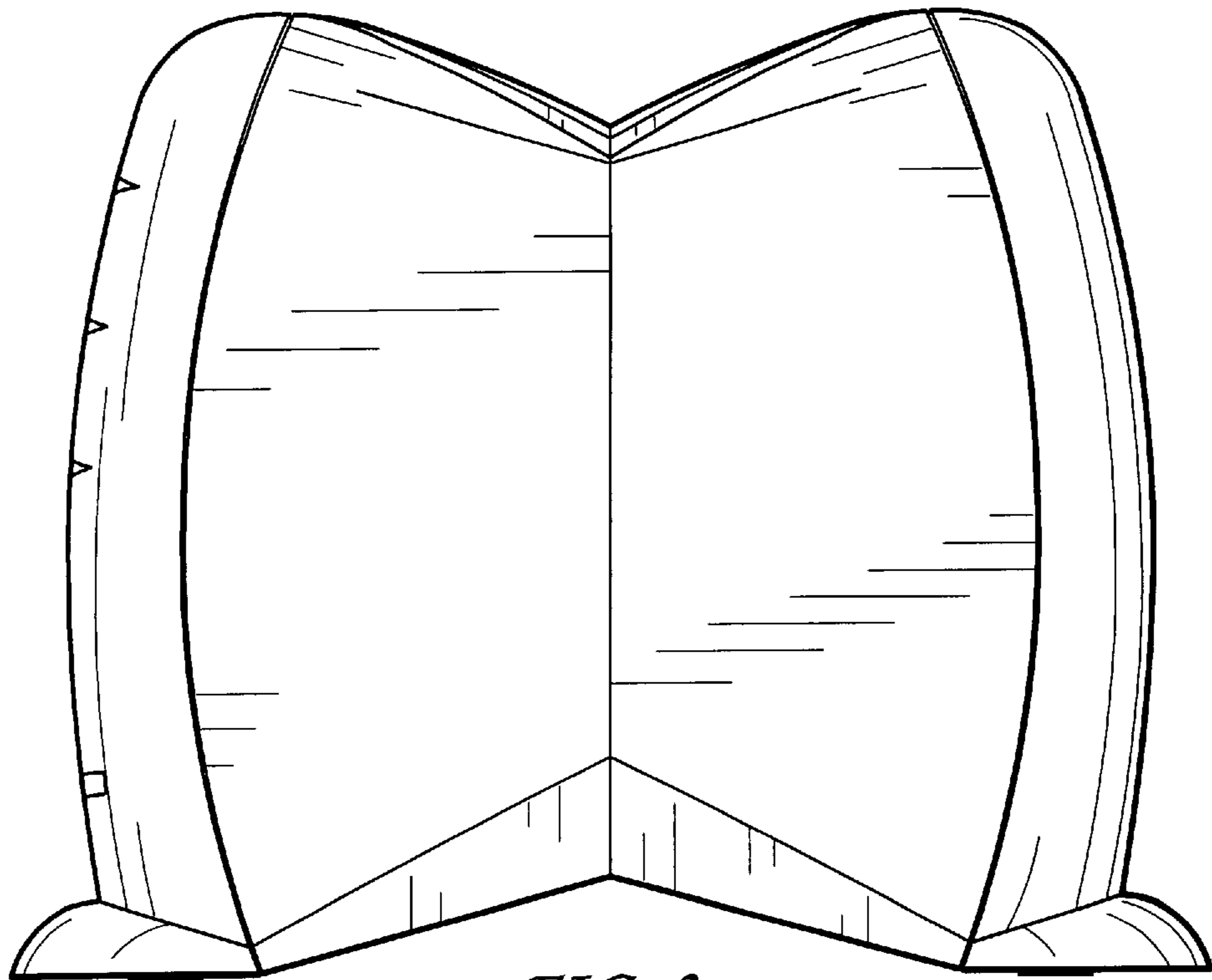


FIG. 3

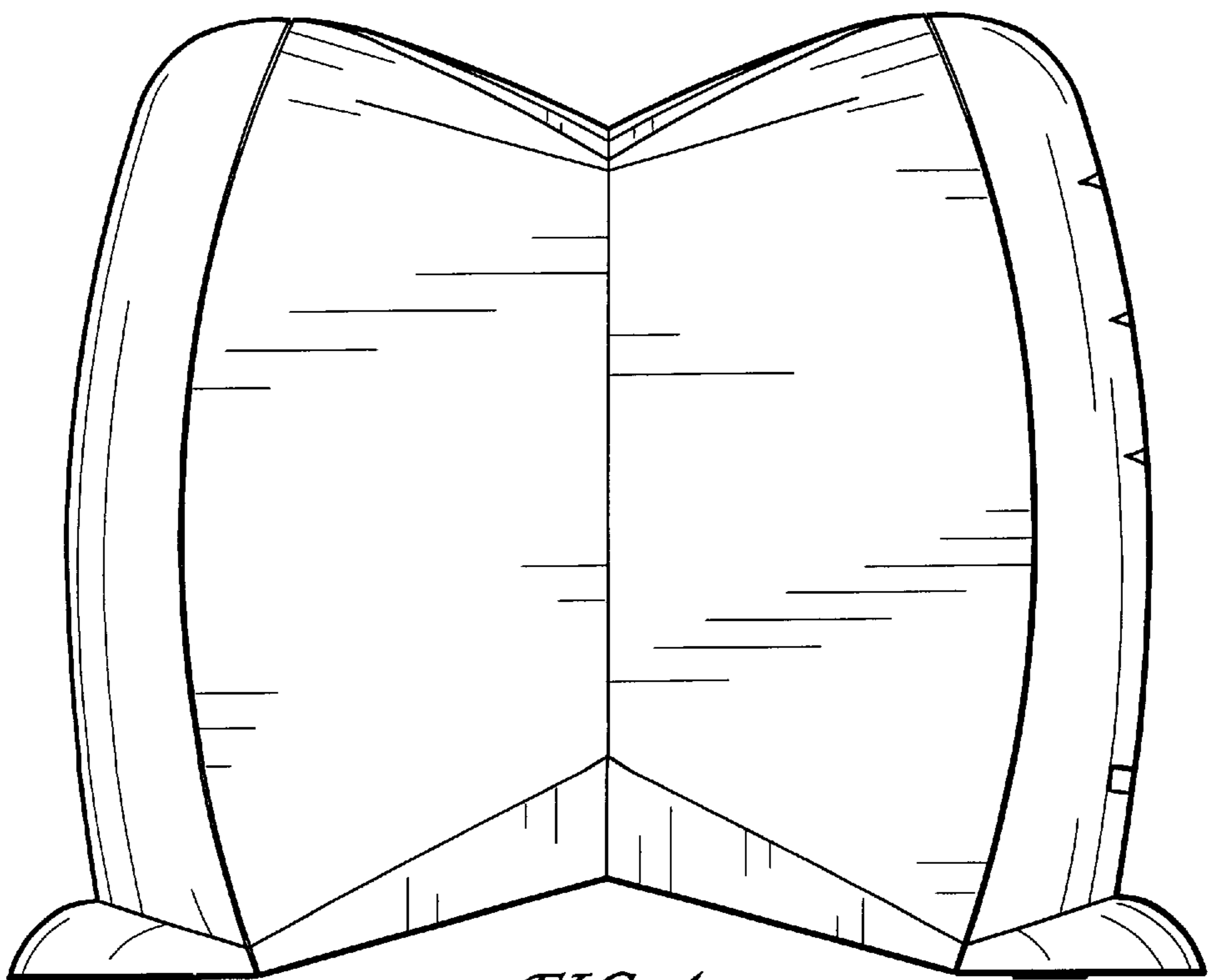


FIG. 4

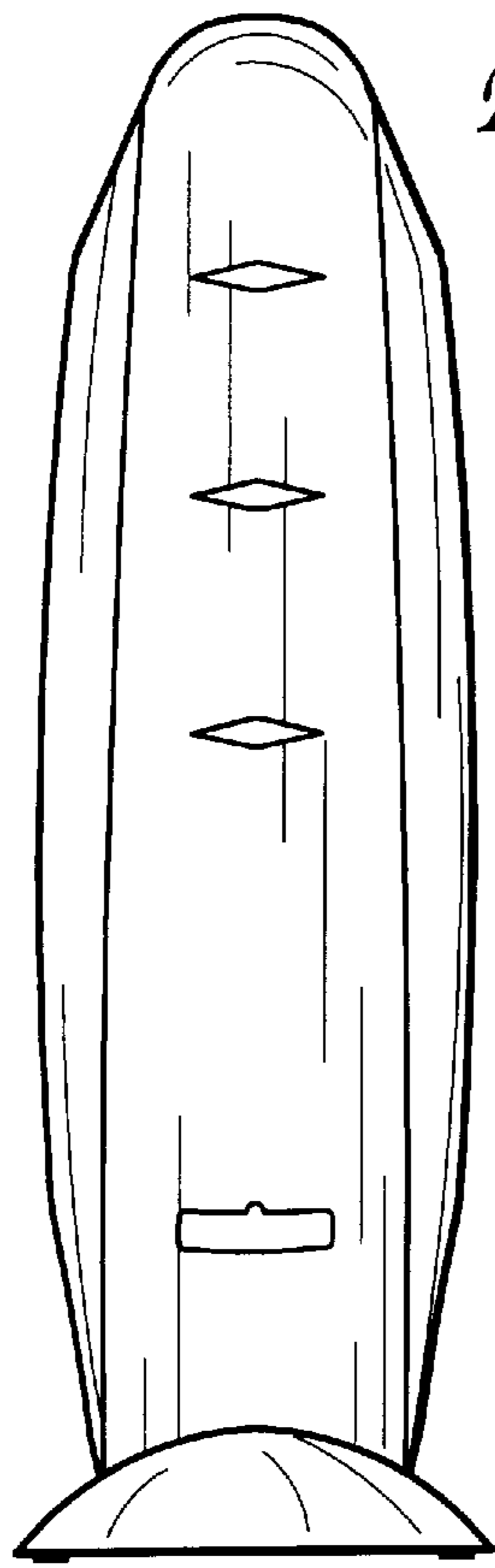


FIG. 5

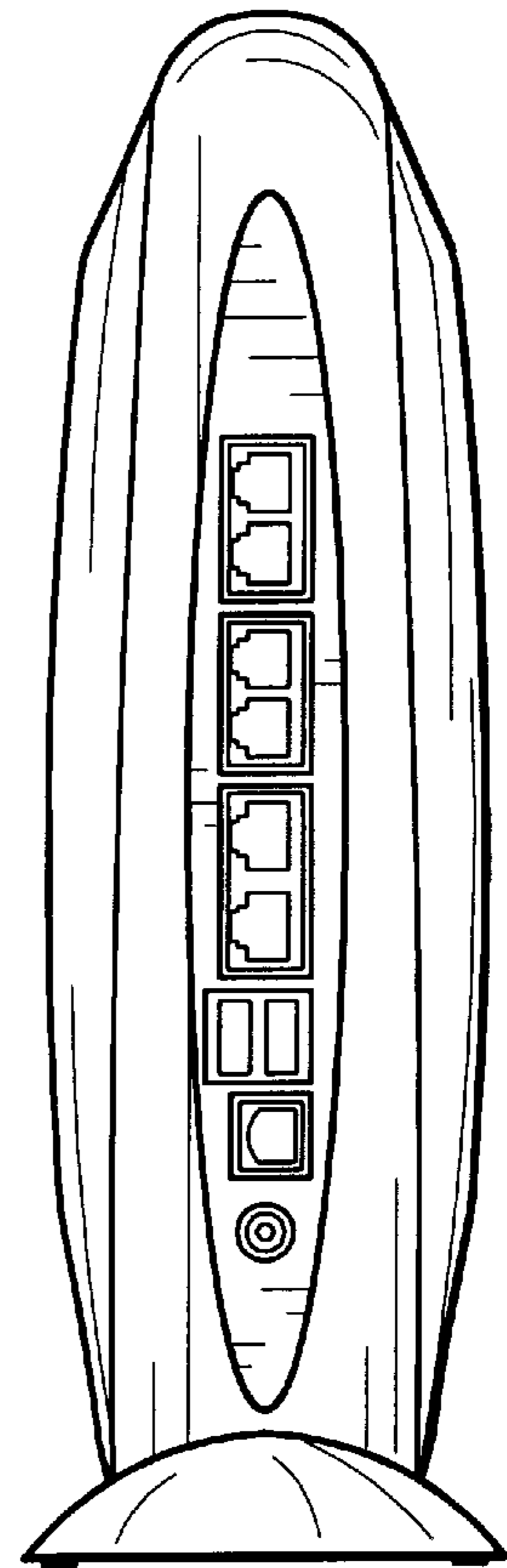


FIG. 6

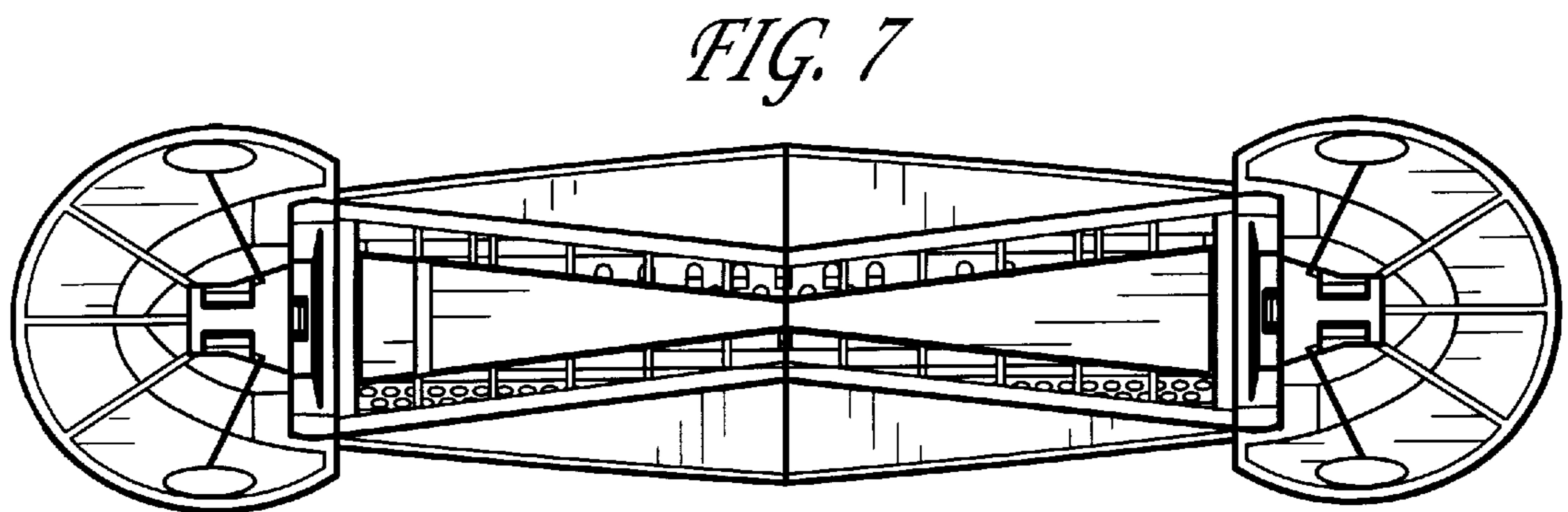


FIG. 7

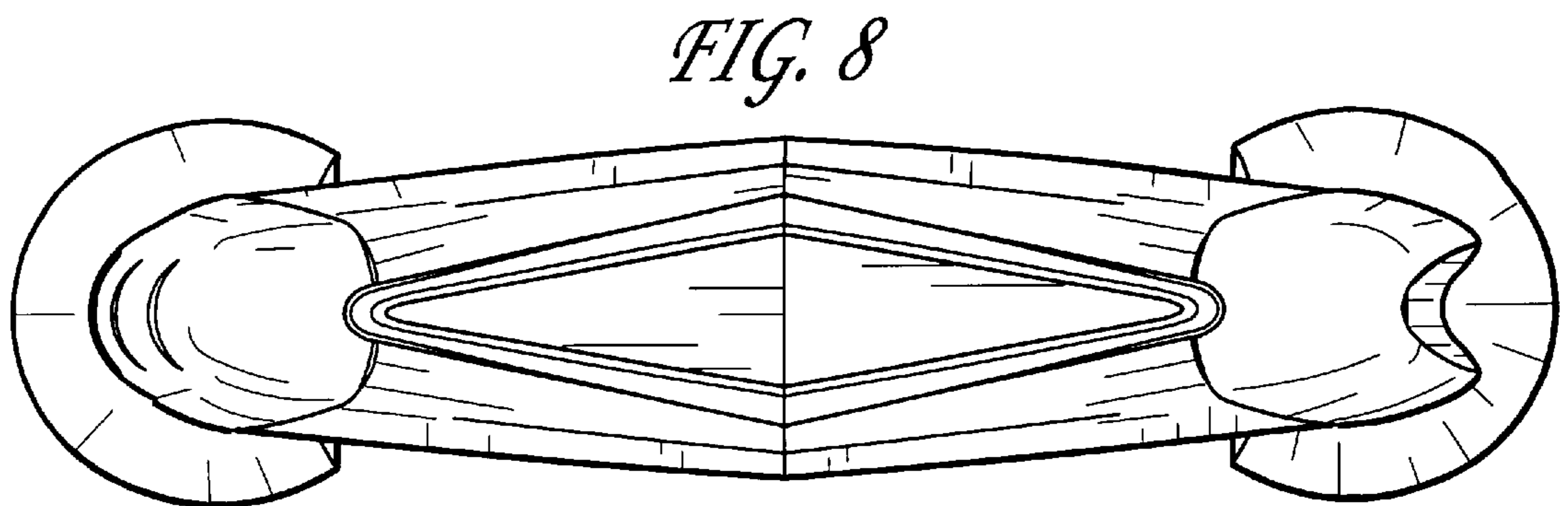


FIG. 8