



US00D437288S

(12) **United States Design Patent**
Light

(10) **Patent No.:** **US D437,288 S**

(45) **Date of Patent:** **** Feb. 6, 2001**

(54) **POWER SUPPLY**

(75) Inventor: **David G. Light**, Tucson, AZ (US)

(73) Assignee: **Iota Engineering Co.**, Tucson, AZ (US)

(**) Term: **14 Years**

(21) Appl. No.: **29/125,086**

(22) Filed: **Jun. 16, 2000**

(51) **LOC (7) Cl.** **13-01**

(52) **U.S. Cl.** **D13/110**

(58) **Field of Search** D13/110; 307/64, 307/150; 361/695, 679, 697; 363/144

(56) **References Cited**

U.S. PATENT DOCUMENTS

D. 349,682	*	8/1994	Hunziker	D13/110
D. 365,082	*	12/1995	Cook, II et al.	D13/110
D. 386,761	*	11/1997	Pleitz	D14/188
D. 418,808	*	1/2000	Lee	D13/110
D. 427,146	*	6/2000	Wei	D13/110
D. 427,147	*	6/2000	Wei	D13/110
D. 427,148	*	6/2000	Wei	D13/110

5,600,550 * 2/1997 Cook, II 363/50

5,909,358 * 6/1999 Bradt 361/707

5,949,640 * 9/1999 Cameron et al. 361/679 X

* cited by examiner

Primary Examiner—Joel Sincavage

(74) *Attorney, Agent, or Firm*—Antonio R. Durando

(57) **CLAIM**

The ornamental design for a power supply, as shown and described.

DESCRIPTION

FIG. 1 is a perspective view of a power supply showing my design;

FIG. 2 is a front elevational view thereof;

FIG. 3 is a back elevational view thereof;

FIG. 4 is an elevational view thereof from the right side;

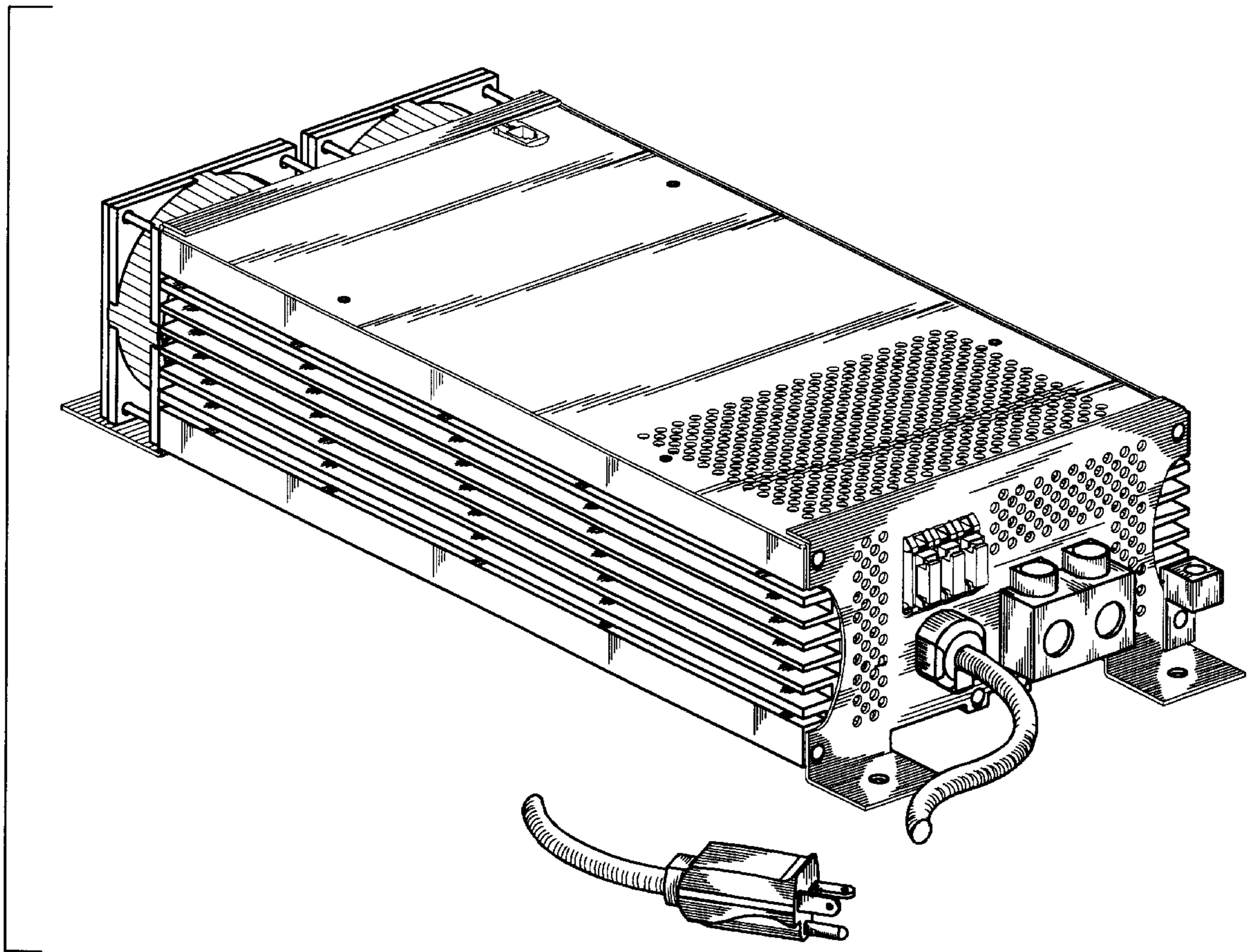
FIG. 5 is an elevational view thereof from the left side;

FIG. 6 is a top plan view thereof; and,

FIG. 7 is a bottom plan view thereof.

The power cord is shown broken away throughout the drawing figures to indicate indeterminate length.

1 Claim, 7 Drawing Sheets



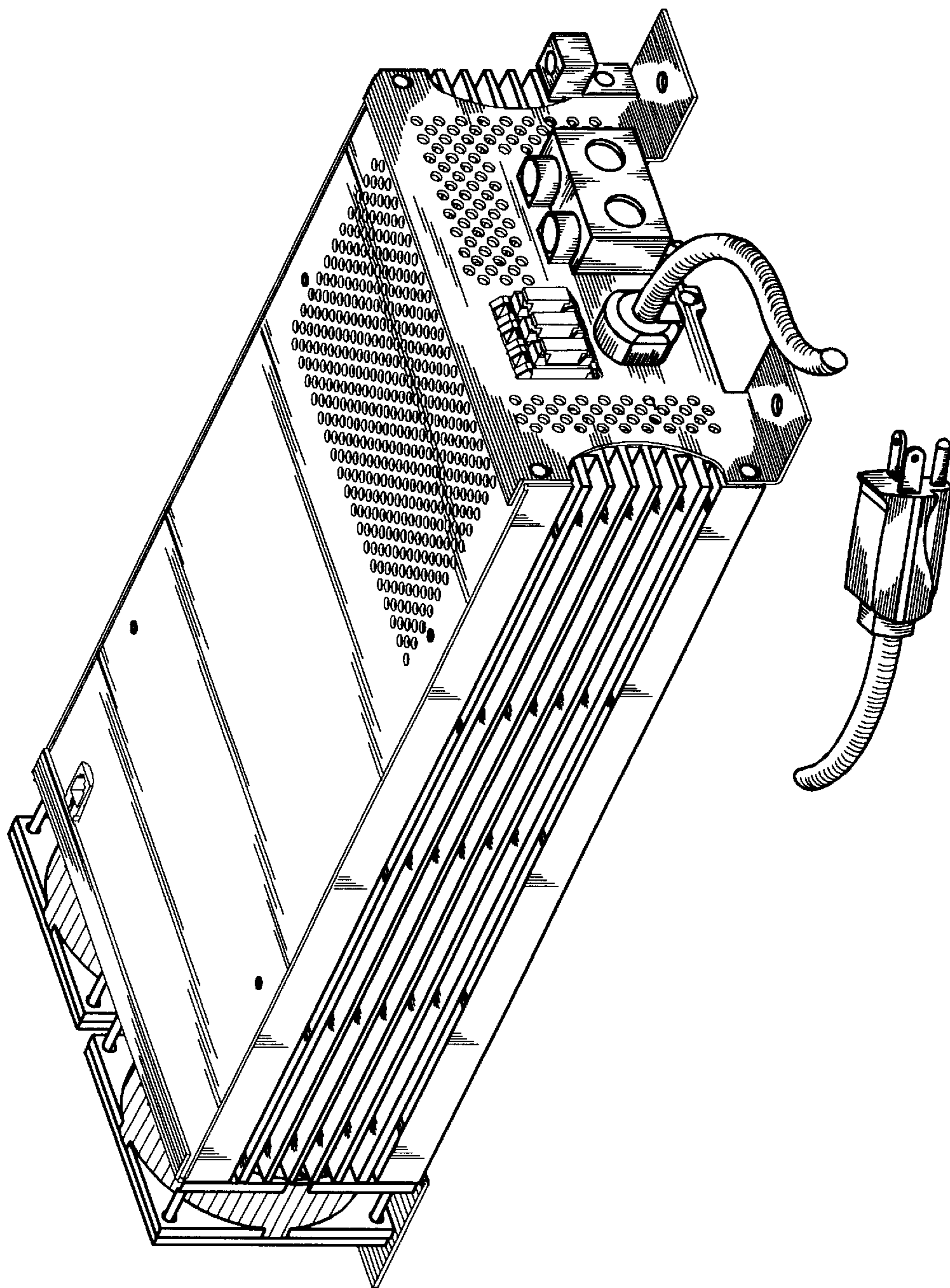


FIG. 1

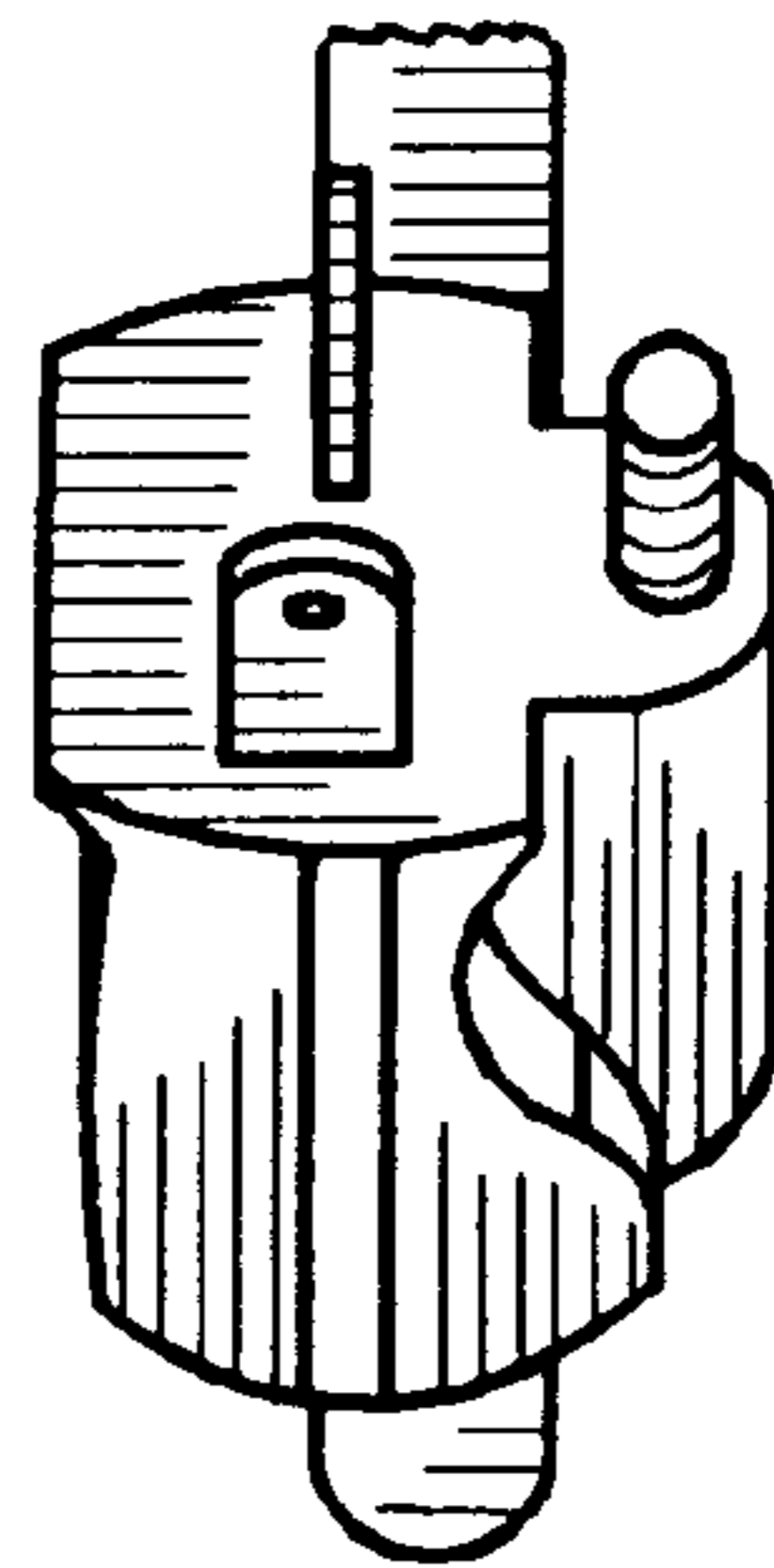
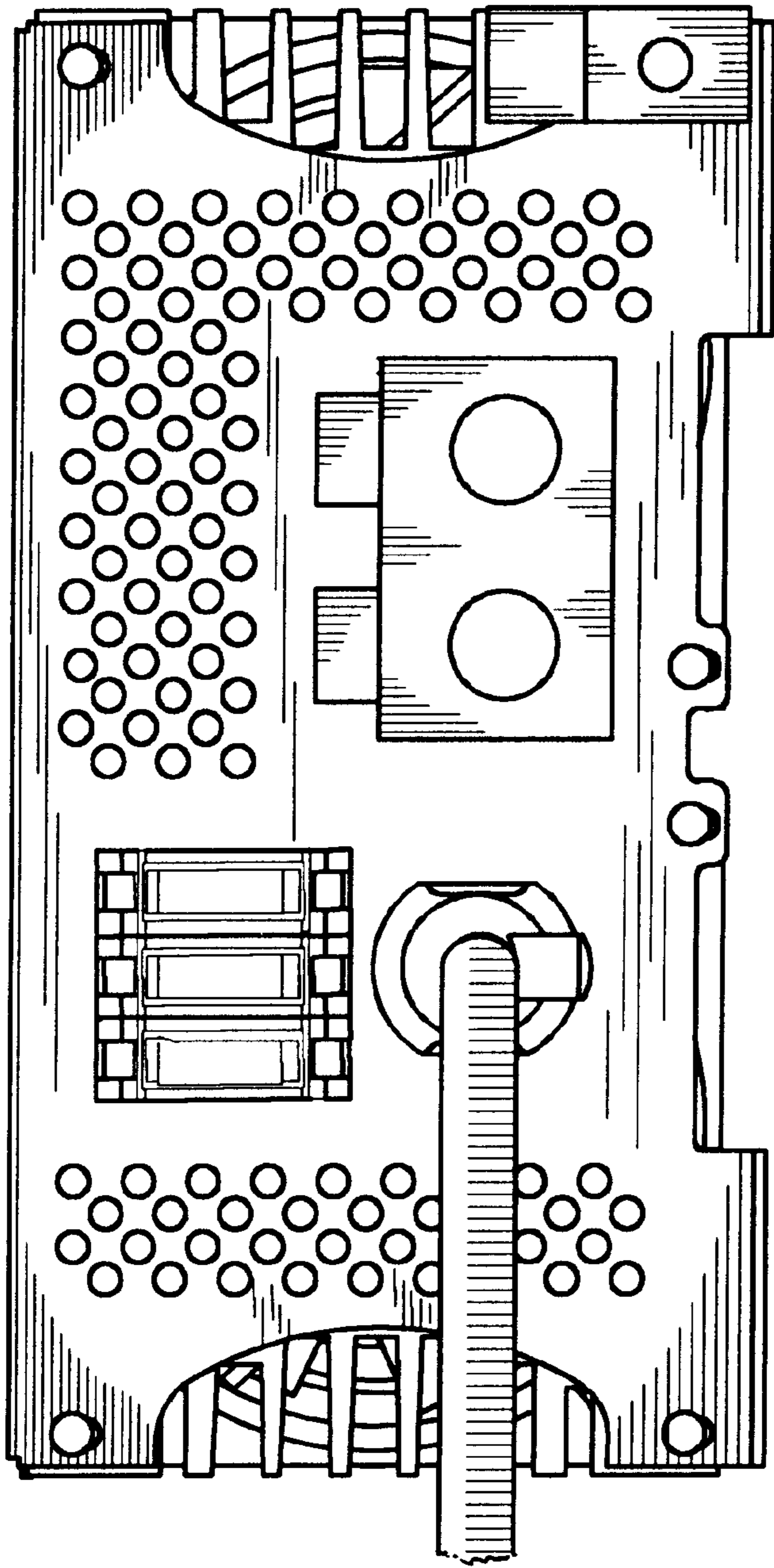


FIG. 2

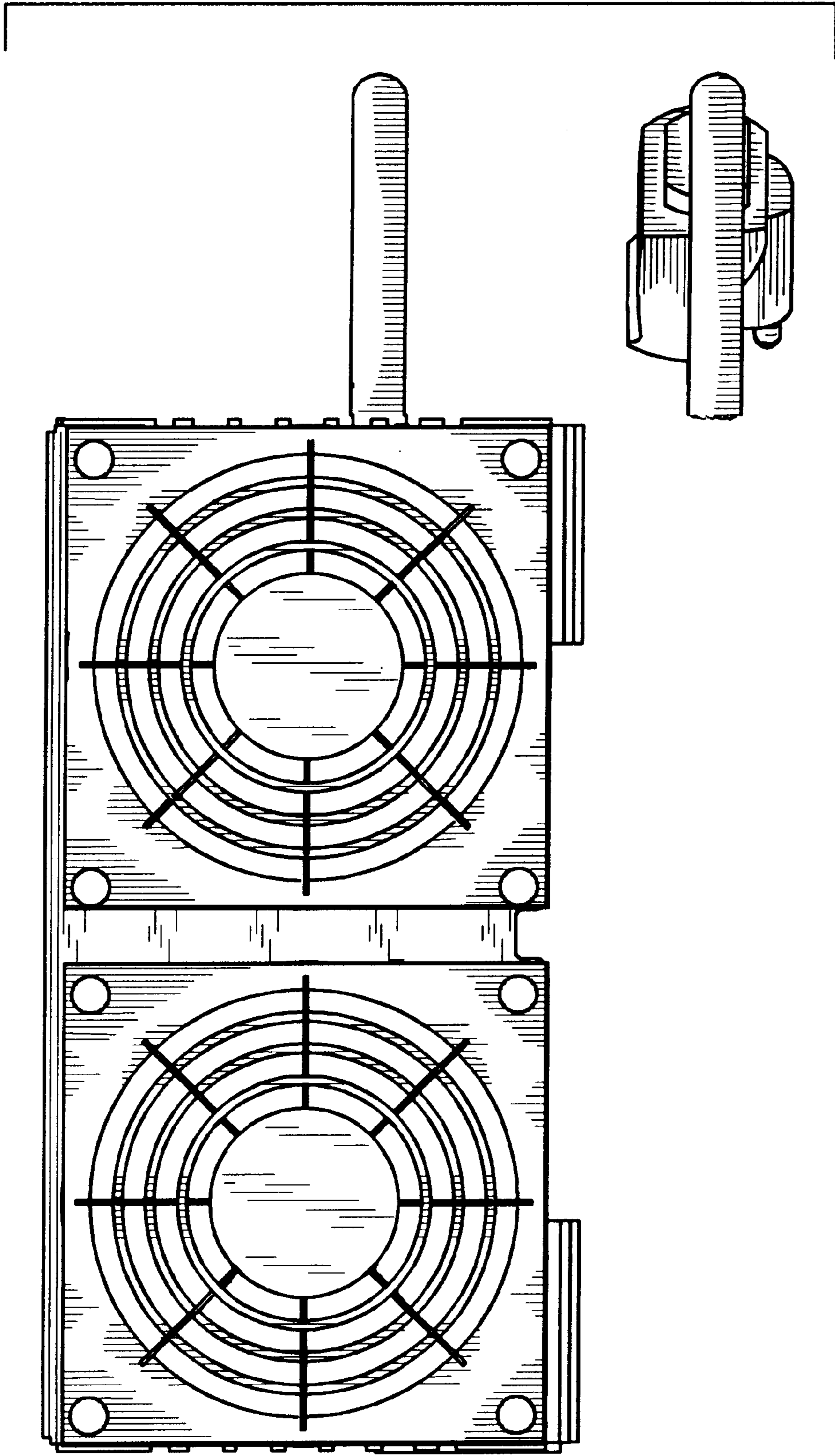


FIG. 3

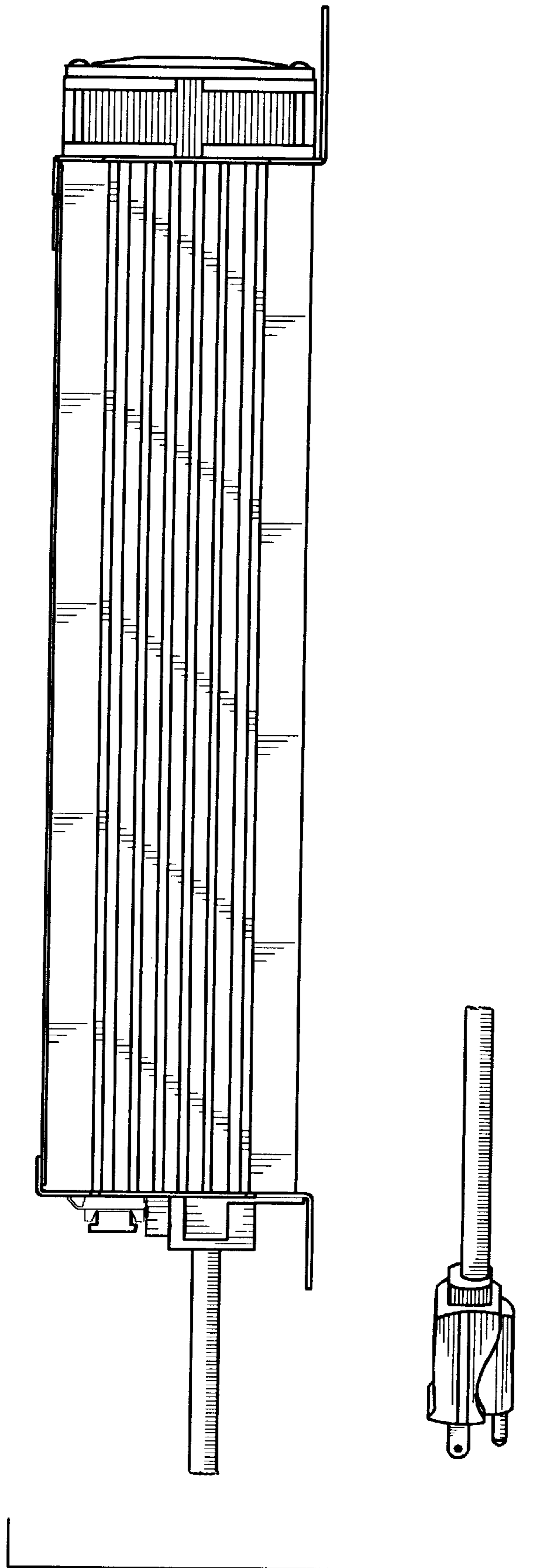


FIG. 4

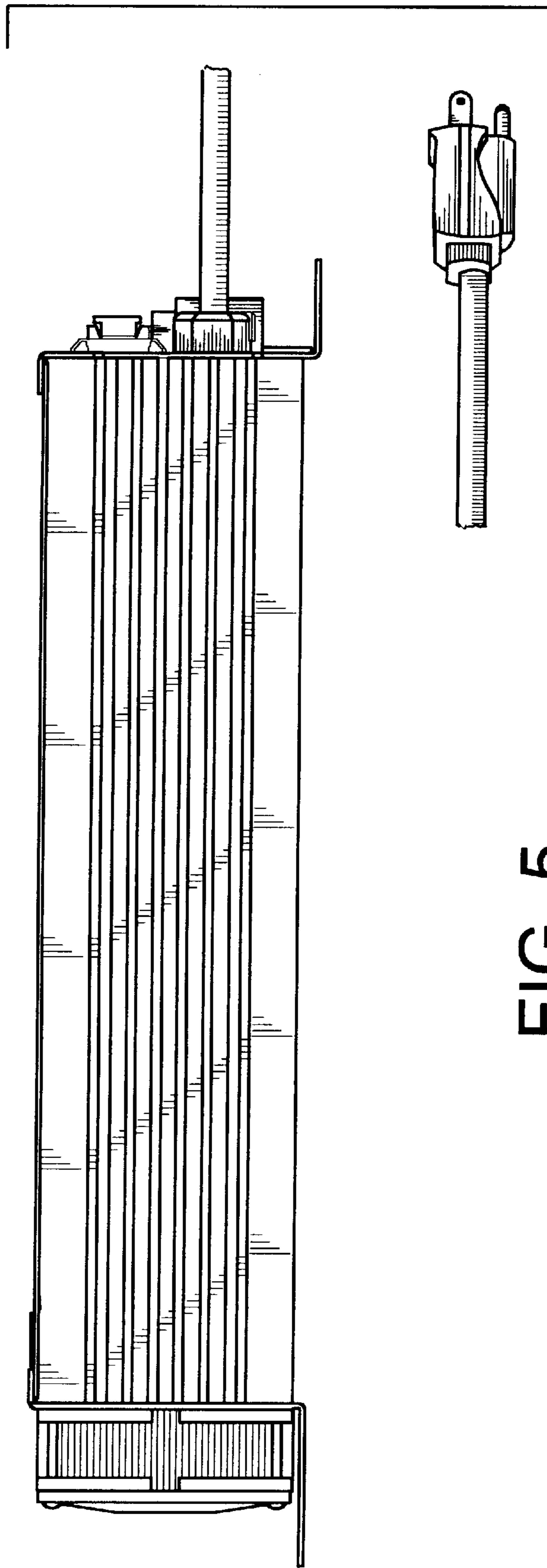


FIG. 5

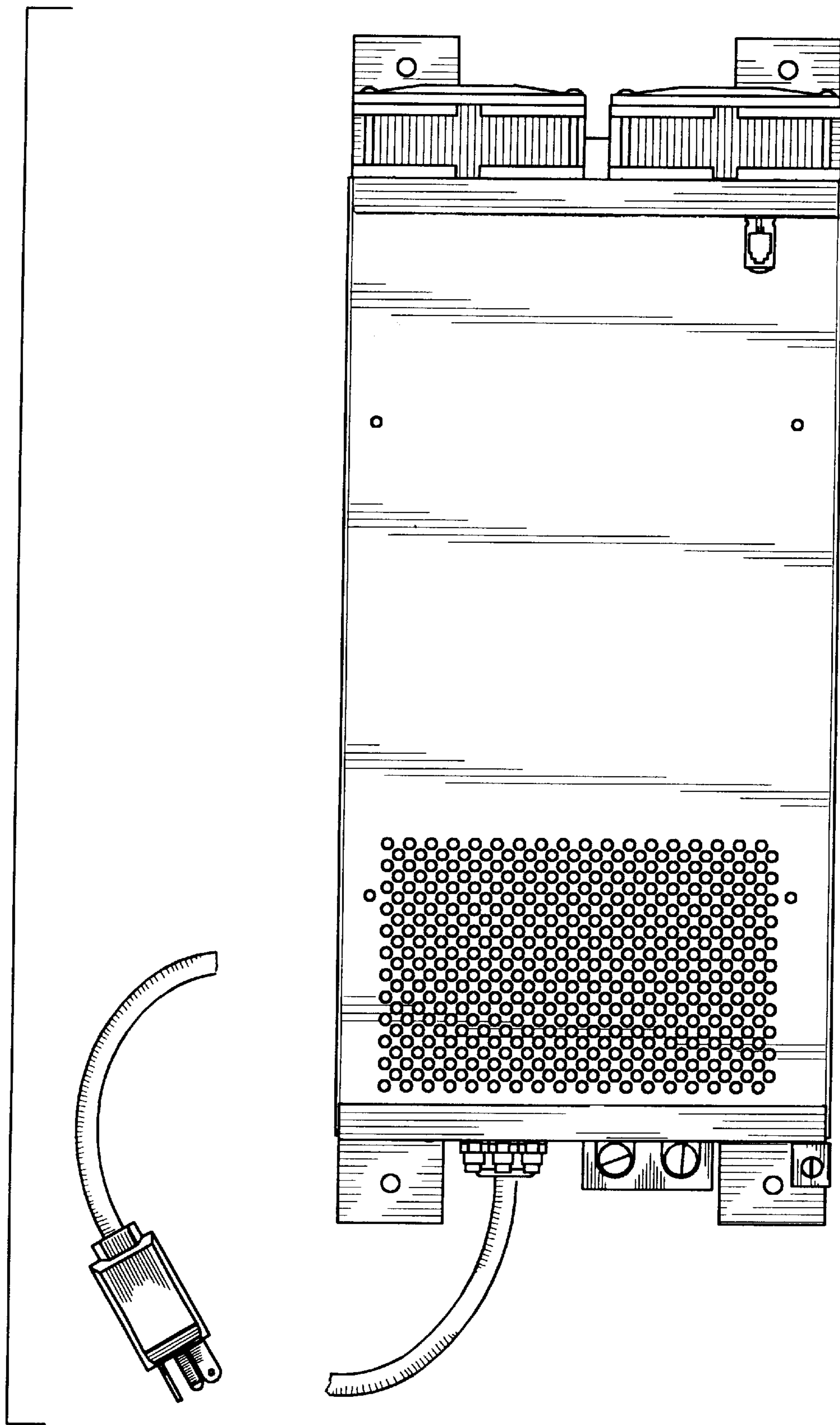


FIG. 6

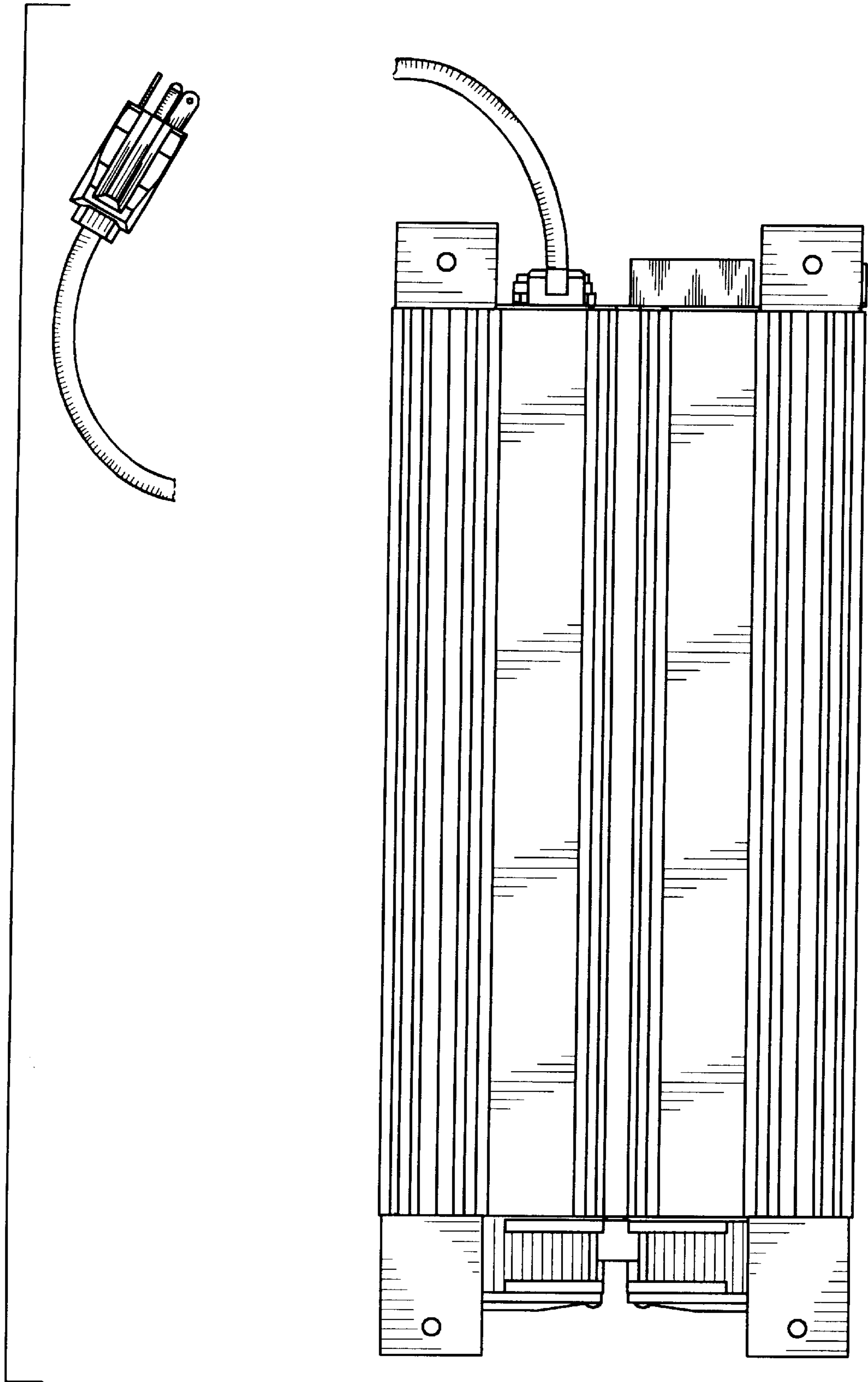


FIG. 7