



US00D437286S

(12) **United States Design Patent**  
**Brady**

(10) **Patent No.:** **US D437,286 S**

(45) **Date of Patent:** **\*\* Feb. 6, 2001**

(54) **BATTERY CASE FOR PORTABLE RADIO**

(75) Inventor: **Jeffrey F. Brady**, Forest, VA (US)

(73) Assignee: **Ericsson Inc.**, Research Triangle Park, NC (US)

(\*\*) Term: **14 Years**

(21) Appl. No.: **29/117,196**

(22) Filed: **Jan. 18, 2000**

(51) **LOC (7) Cl.** ..... **13-02**

(52) **U.S. Cl.** ..... **D13/103**

(58) **Field of Search** ..... D13/103; D14/138;  
429/96-100, 159, 163, 176

(56) **References Cited**

**U.S. PATENT DOCUMENTS**

D. 277,747	*	2/1985	Toth	.....	D13/103
D. 399,818	*	10/1998	Lindahl	.....	D13/103
D. 404,005	*	1/1999	Lindahl	.....	D13/103
D. 405,752	*	2/1999	Mason	.....	D13/103
D. 406,097	*	2/1999	Lindahl	.....	D13/103

\* cited by examiner

*Primary Examiner*—Joel Sincavage

(74) *Attorney, Agent, or Firm*—Wood, Phillips, VanSanten, Clark & Mortimer

(57) **CLAIM**

The ornamental design for a battery case for portable radio, as shown and described.

**DESCRIPTION**

FIG. 1 is a top, side and end perspective view of my design for a battery case for portable radio;

FIG. 2 is a plan view thereof;

FIG. 3 is a bottom view thereof;

FIG. 4 is an elevation view thereof from the side shown in FIG. 1;

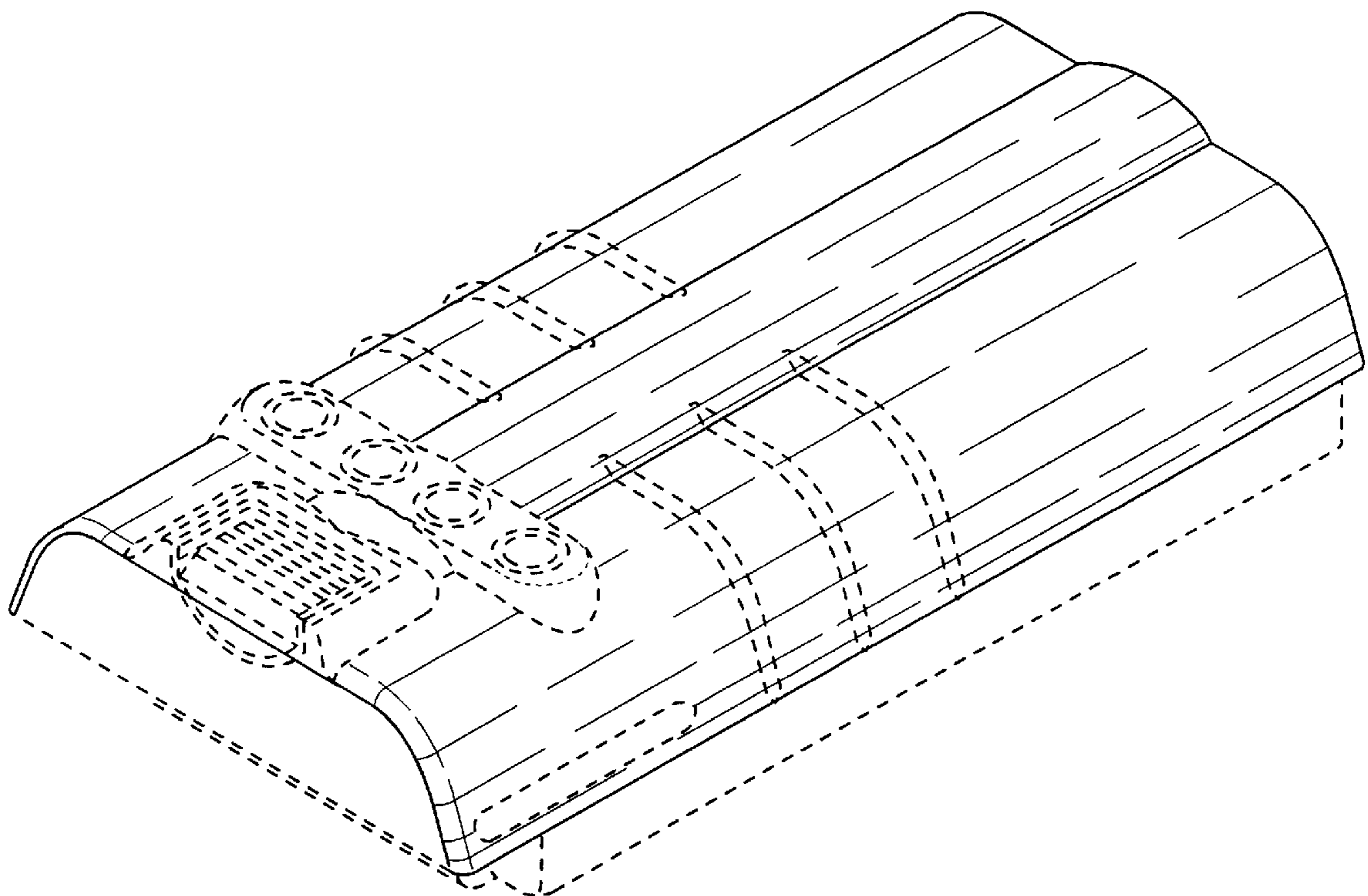
FIG. 5 is an elevation view thereof from the side opposite that in FIG. 4;

FIG. 6 is an elevation view thereof from the end shown in FIG. 1; and,

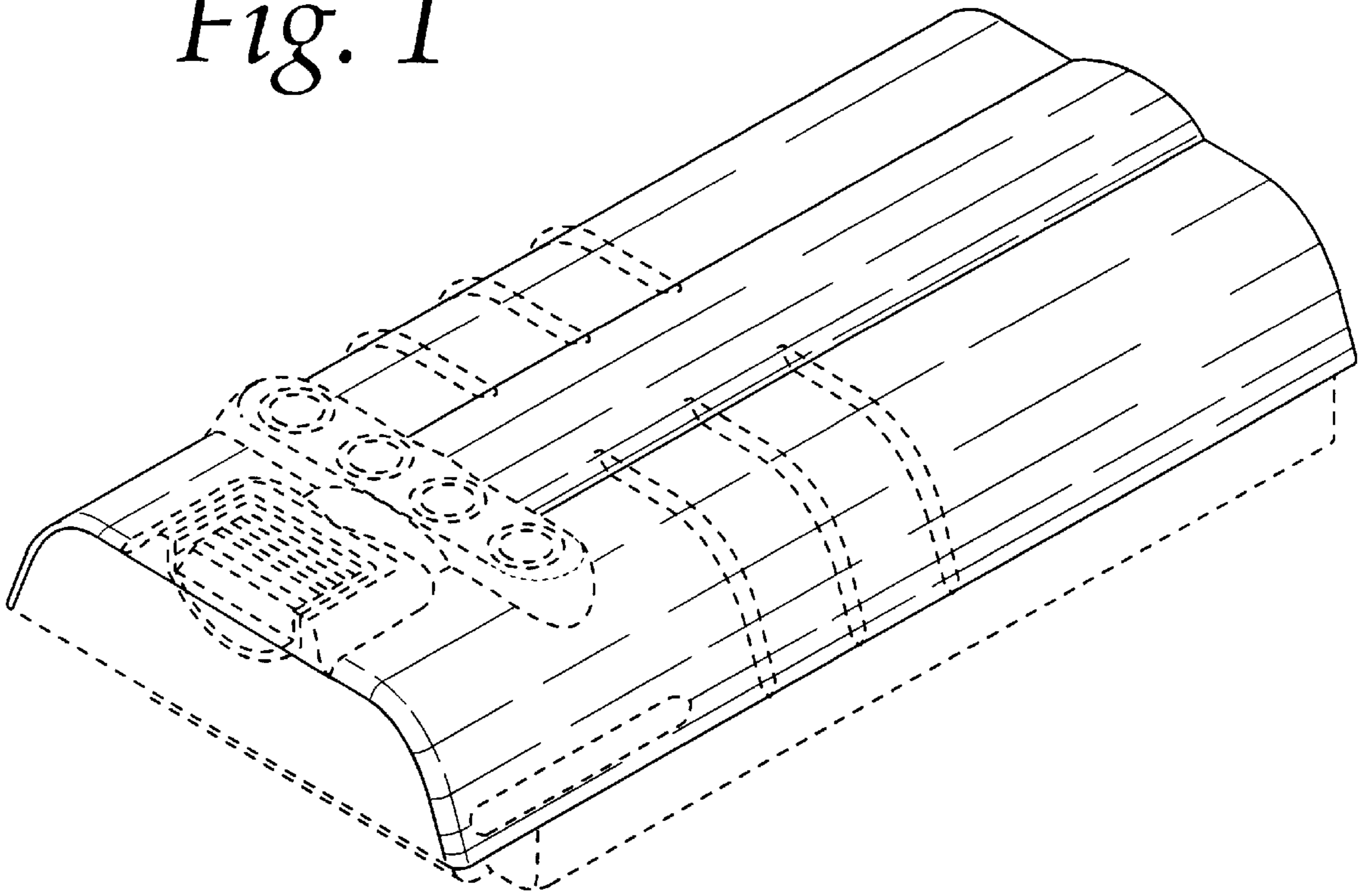
FIG. 7 is an elevation view thereof from the end opposite that in FIG. 6.

The portion of the battery case for portable radio shown in dotted lines does not constitute a part of the claimed design. The designations “plan”, “bottom”, “side” and “end” are arbitrary since the device is intended to be situated and usable in virtually any orientation.

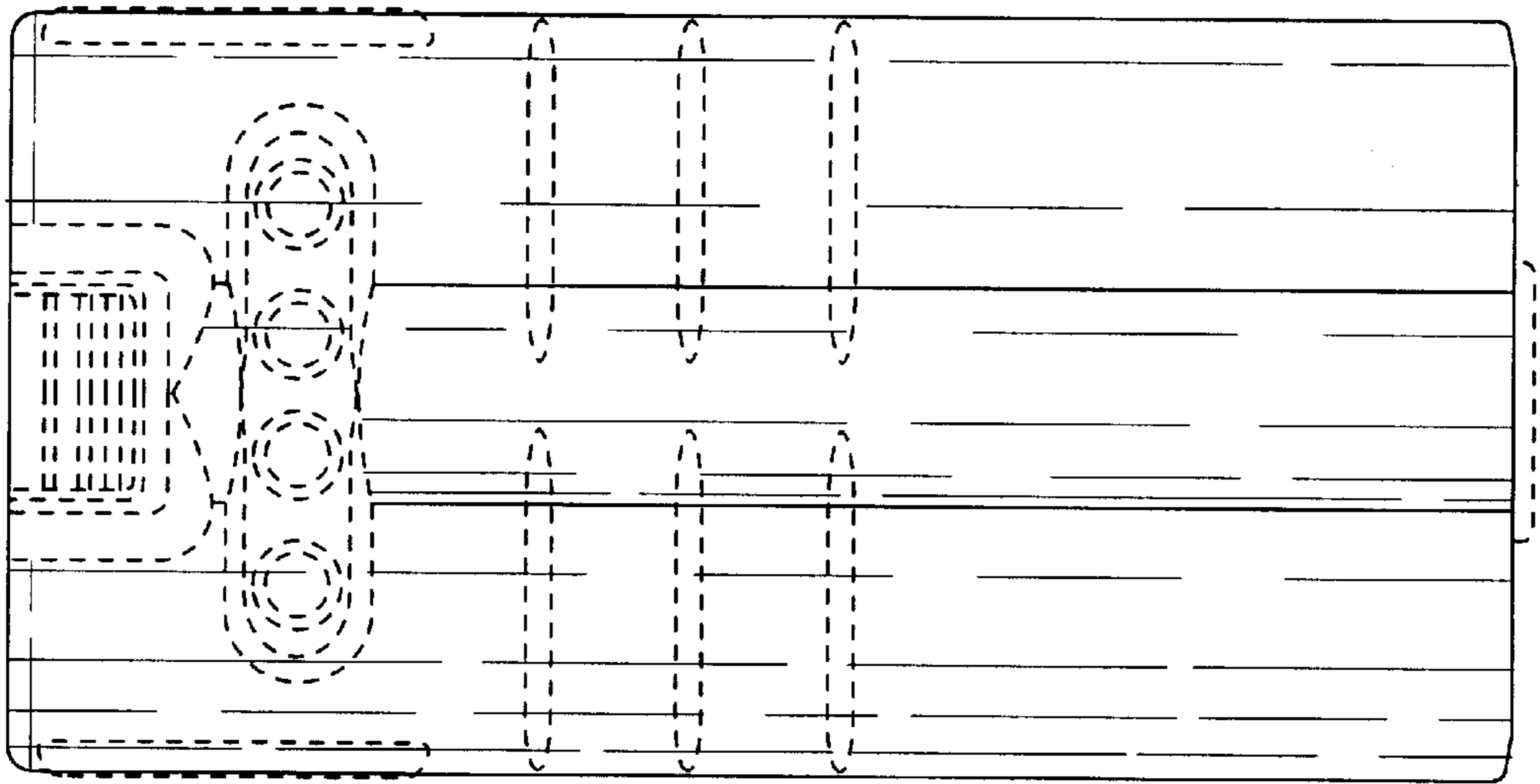
**1 Claim, 3 Drawing Sheets**



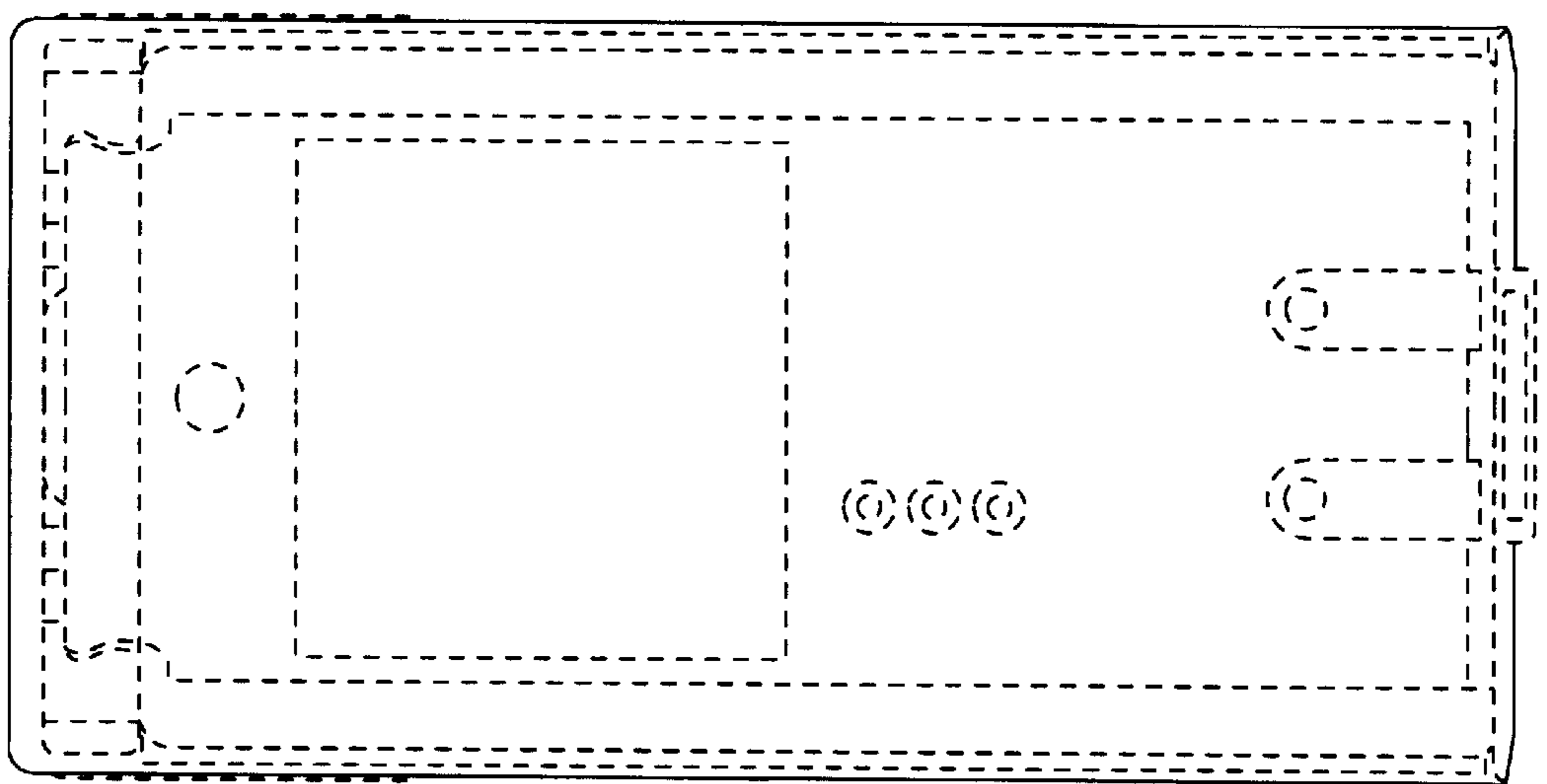
*Fig. 1*



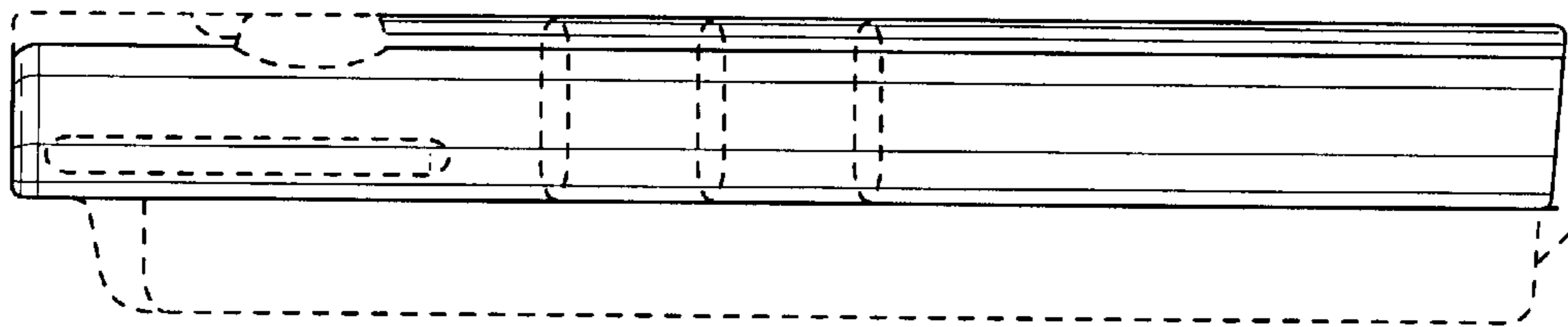
*Fig. 2*



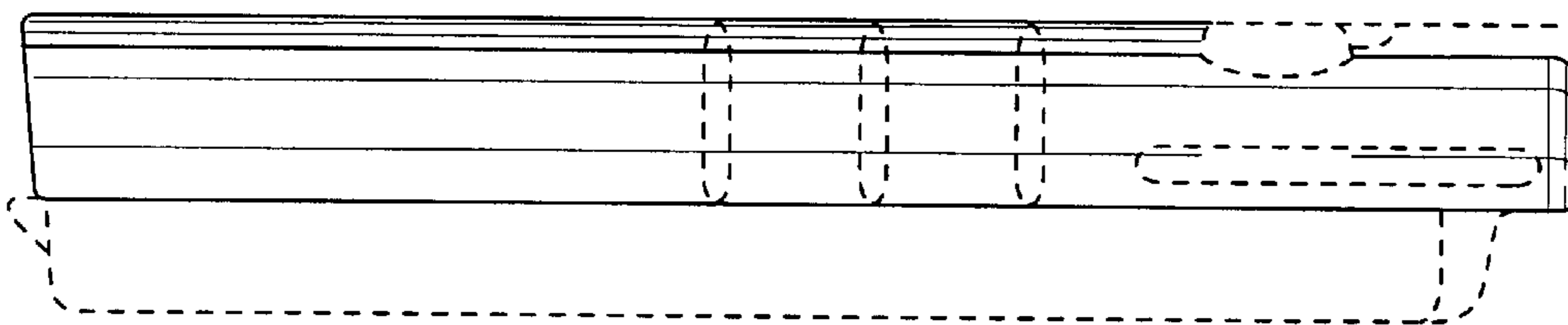
*Fig. 3*



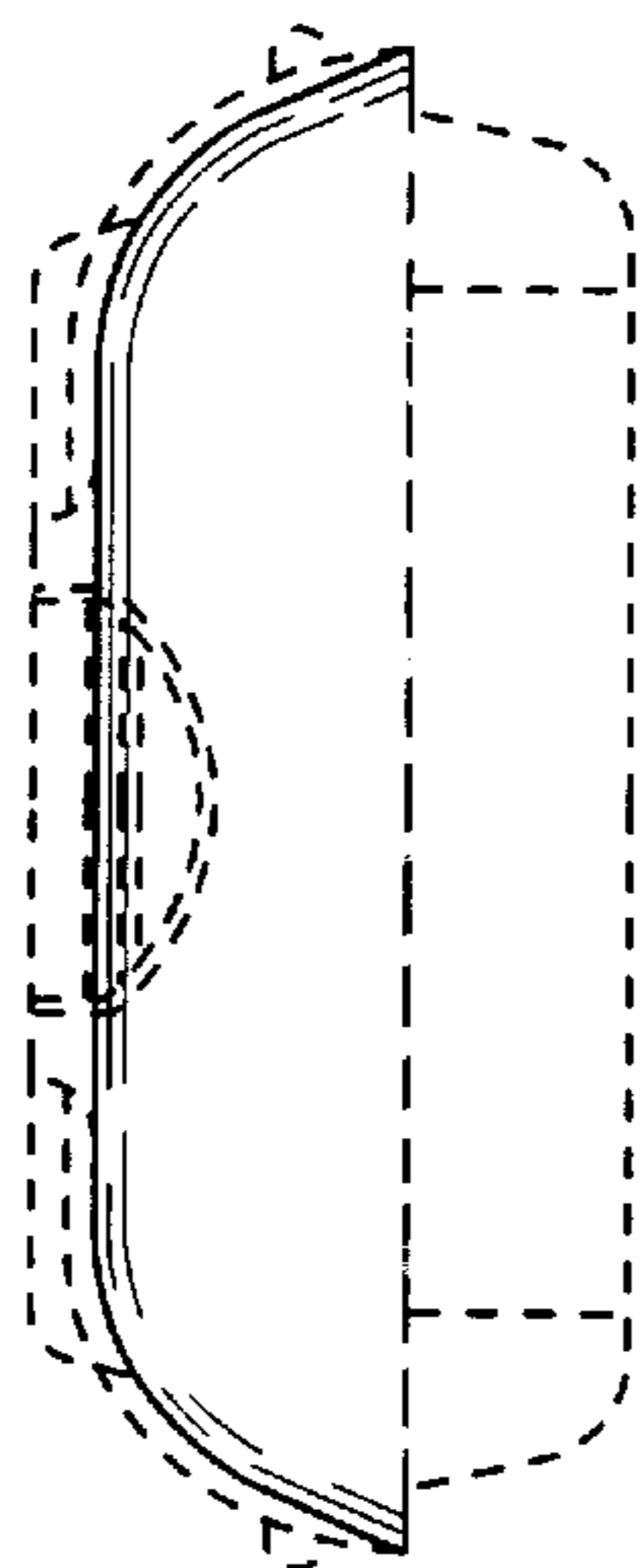
*Fig. 4*



*Fig. 5*



*Fig. 6*



*Fig. 7*

