



US00D437285S

(12) **United States Design Patent**  
**McCoy et al.**

(10) **Patent No.:** **US D437,285 S**

(45) **Date of Patent:** **\*\* Feb. 6, 2001**

(54) **CARGO CARRIER**

(75) Inventors: **Richard W. McCoy**, Granger;  
**Katherine A. Adams**, Mishawaka, both  
of IN (US)

(73) Assignee: **Reese Products, Inc.**, Elkhart, IN (US)

(\*\*) Term: **14 Years**

(21) Appl. No.: **29/110,732**

(22) Filed: **Sep. 10, 1999**

(51) **LOC (7) Cl.** ..... **12-16**

(52) **U.S. Cl.** ..... **D12/406**

(58) **Field of Search** ..... D12/172, 400,  
D12/406, 162, 408-414.1, 203; D34/38,  
23; 224/521-526, 519, 518, 528-530, 42.43,  
42.44, 42.07-42.08; 280/163, 47.34, 30,  
769, 639, 415.1, 491.2, 166; 296/37.1-37.2;  
108/129-132, 44, 152

(56) **References Cited**

**U.S. PATENT DOCUMENTS**

|            |   |         |             |       |             |
|------------|---|---------|-------------|-------|-------------|
| D. 305,632 | * | 1/1990  | Kraklio     | ..... | D12/400     |
| D. 356,200 | * | 3/1995  | Kern et al. | ..... | D34/38 X    |
| D. 370,452 | * | 6/1996  | Beasley     | ..... | D12/203     |
| D. 398,434 | * | 9/1998  | Agtuca      | ..... | D34/38 X    |
| 1,487,974  |   | 3/1924  | Prouty      | .     |             |
| 3,913,811  |   | 10/1975 | Spencer     | .     |             |
| 4,057,125  | * | 11/1977 | Kroft       | ..... | 280/166 X   |
| 4,089,276  | * | 5/1978  | Enos        | ..... | 108/44      |
| 4,234,284  | * | 11/1980 | Hauff       | ..... | 224/42.44 X |

|           |   |         |                |       |           |
|-----------|---|---------|----------------|-------|-----------|
| 4,274,648 | * | 6/1981  | Robins         | ..... | 280/166   |
| 4,394,947 | * | 7/1983  | Tartaglia      | ..... | 224/42.43 |
| 4,695,218 |   | 9/1987  | Boyer          | .     |           |
| 4,744,590 | * | 5/1988  | Chesney        | ..... | 280/769   |
| 4,813,584 | * | 3/1989  | Wiley          | ..... | 224/42.44 |
| 4,906,015 | * | 3/1990  | Lacroix et al. | ..... | 280/415.1 |
| 5,106,002 |   | 4/1992  | Smith et al.   | .     |           |
| 5,199,842 |   | 4/1993  | Watt et al.    | .     |           |
| 5,215,234 | * | 6/1993  | Pasley         | ..... | 224/42.43 |
| 5,368,209 | * | 11/1994 | Hill           | ..... | 224/42.44 |
| 5,570,826 |   | 11/1996 | Garbes et al.  | .     |           |
| 5,676,292 |   | 10/1997 | Miller         | .     |           |
| 5,853,278 |   | 12/1998 | Frantz         | .     |           |

\* cited by examiner

*Primary Examiner*—Stacia Cadmus

(74) *Attorney, Agent, or Firm*—King and Schickli, PLLC

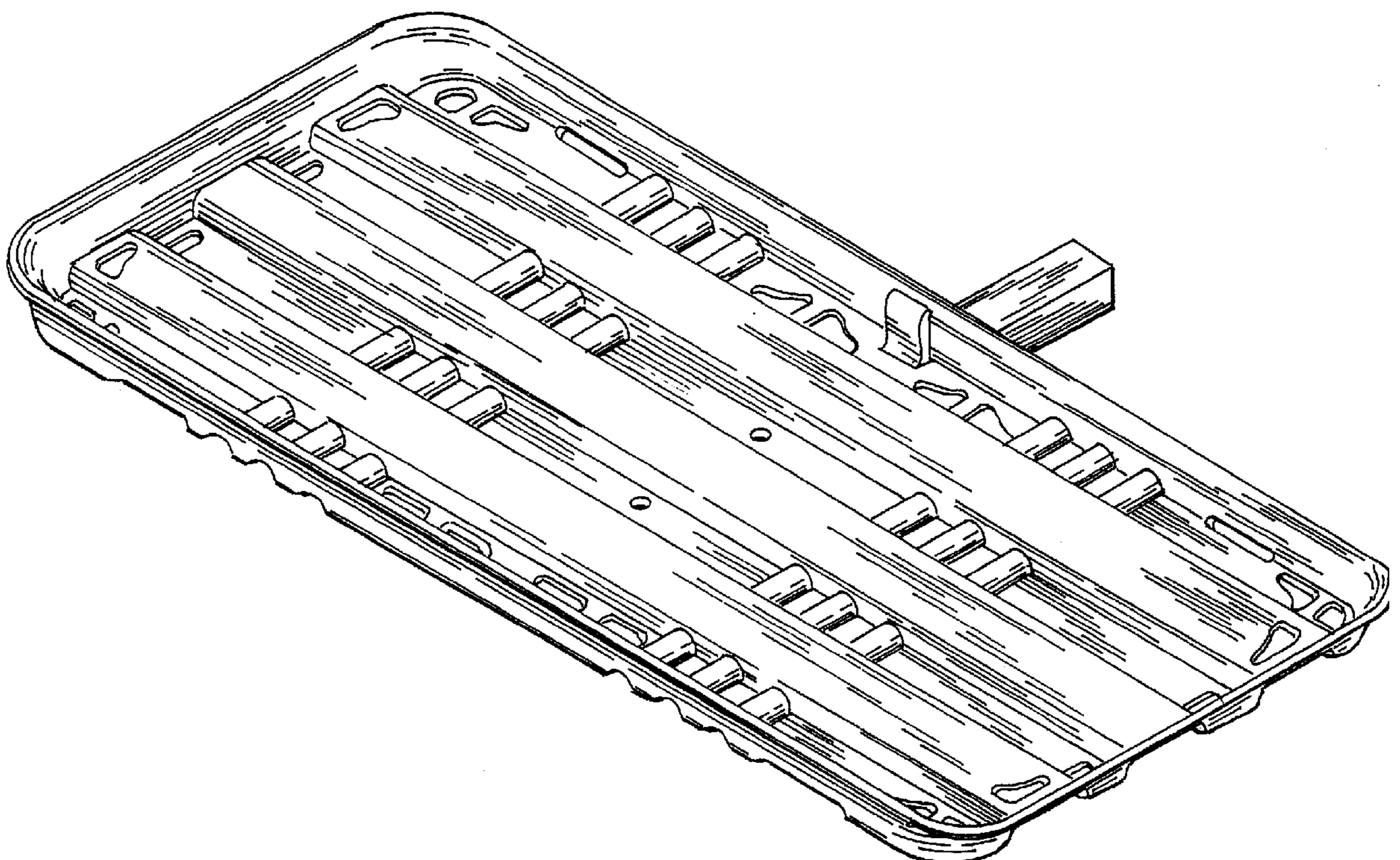
(57) **CLAIM**

The ornamental design for a cargo carrier, as shown and described.

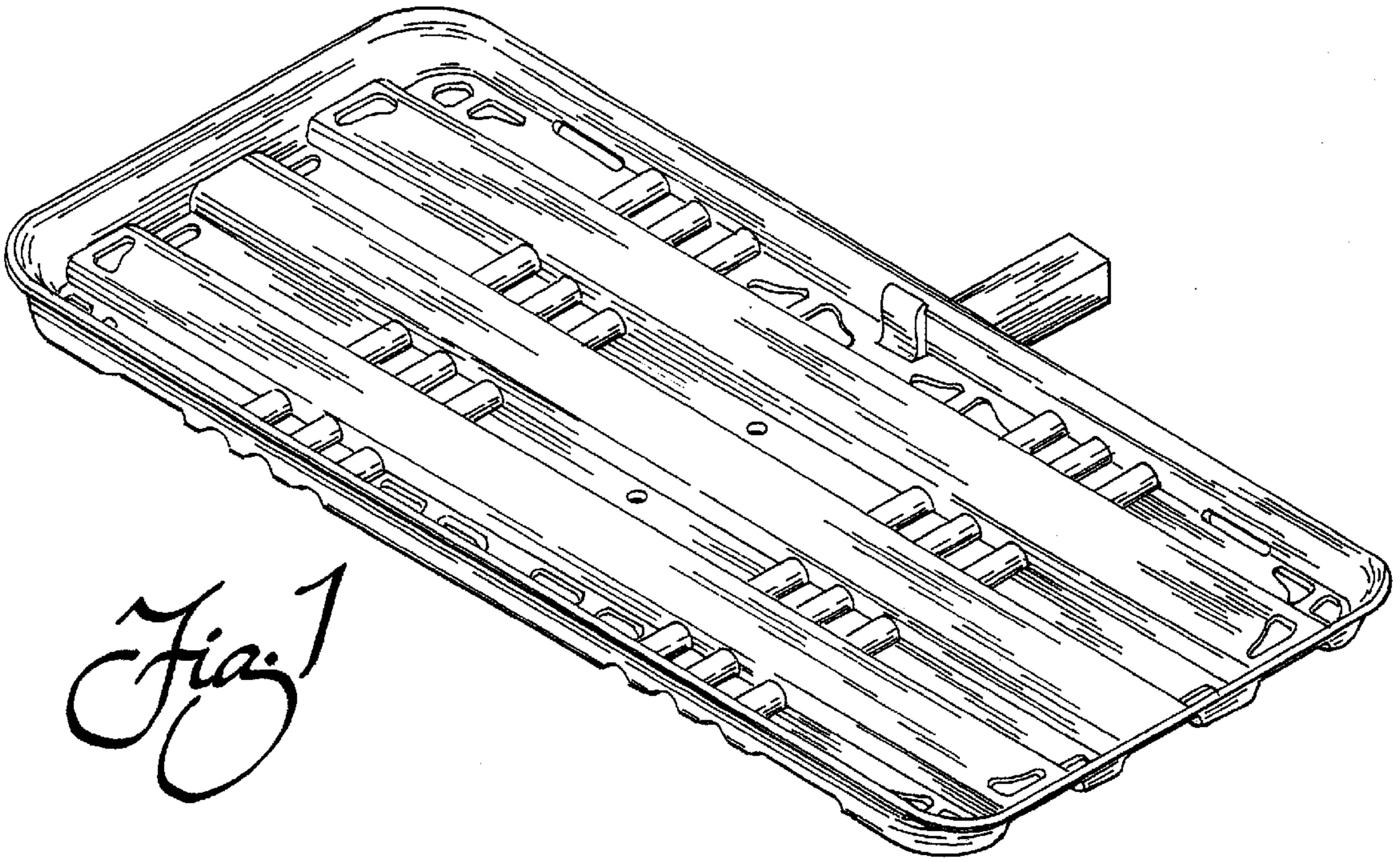
**DESCRIPTION**

FIG. 1 is a perspective view of the cargo carrier of the present invention;  
FIG. 2 is an enlarged top plan view thereof;  
FIG. 3 is an enlarged rear elevational view thereof;  
FIG. 4 is an enlarged right side elevational view; the left side elevational view being a mirror image thereof.  
FIG. 5 is an enlarged front elevational view thereof; and,  
FIG. 6 is a bottom plan view thereof.

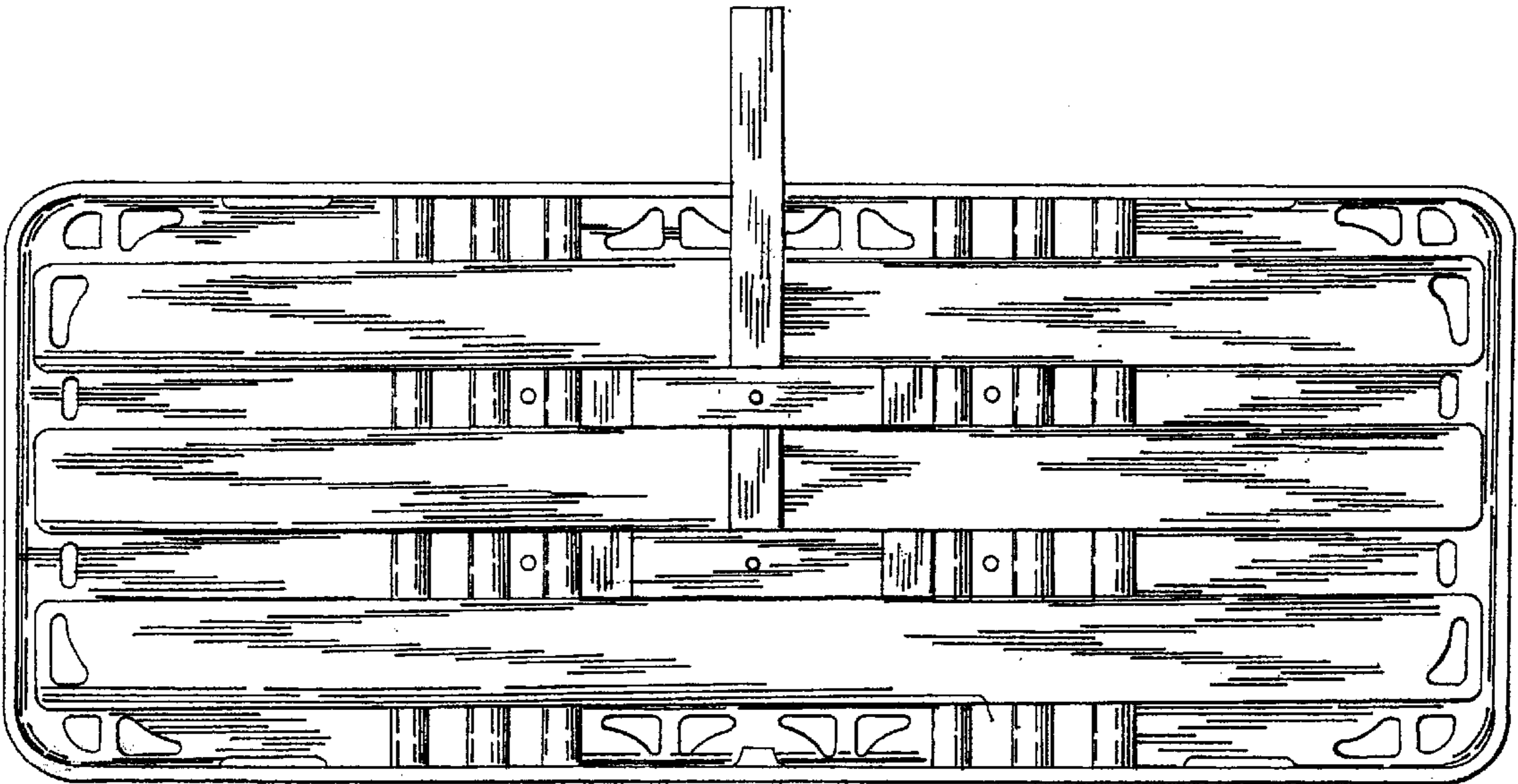
**1 Claim, 3 Drawing Sheets**





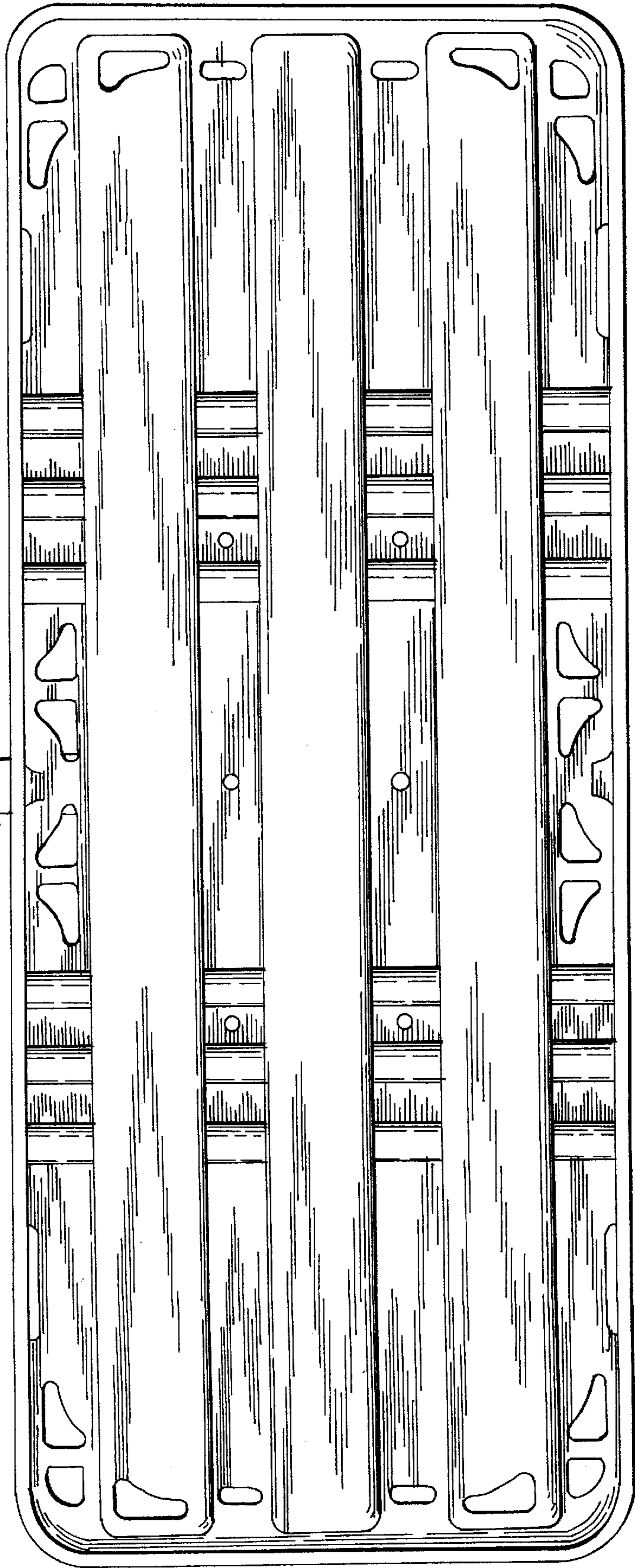
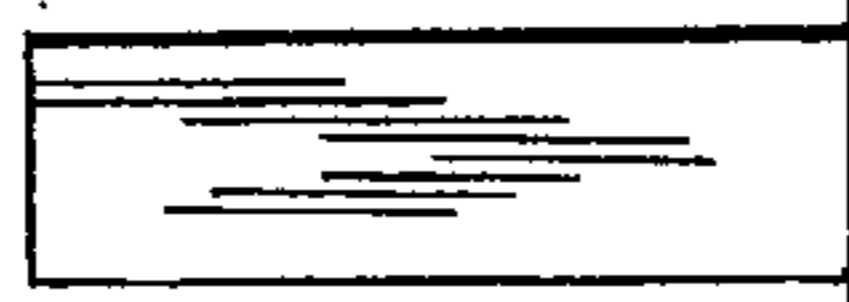


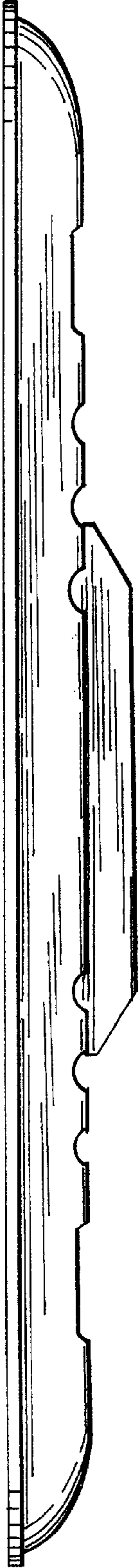
*Fig. 1*



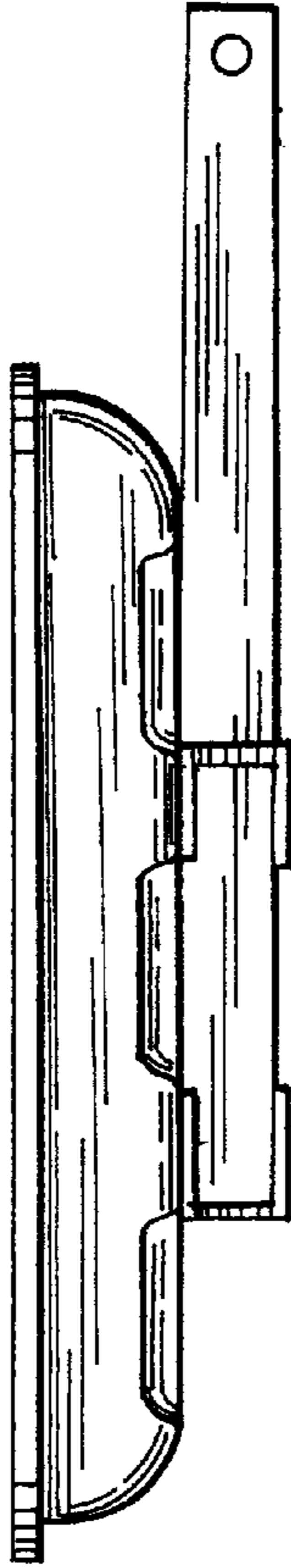
*Fig. 6*

*Fig 2*

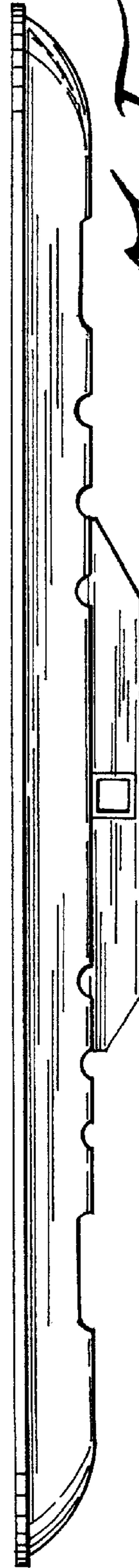




*Fig. 3*



*Fig. 2*



*Fig. 5*