



US00D437284S

(12) **United States Design Patent**
Knutson et al.

(10) **Patent No.:** **US D437,284 S**

(45) **Date of Patent:** **** Feb. 6, 2001**

(54) **AIRCRAFT**

(75) Inventors: **Eric Knutson**, Lancaster; **John Whittenbury**, Quartz Hill, both of CA (US)

(73) Assignee: **Lockheed Martin Corporation**, Palmdale, CA (US)

(**) Term: **14 Years**

(21) Appl. No.: **29/098,642**

(22) Filed: **Jan. 4, 1999**

(51) **LOC (7) Cl.** **12-06**

(52) **U.S. Cl.** **D12/319; D12/333**

(58) **Field of Search** **D12/319-345; 244/2, 13, 53 B, 45 R**

(56) **References Cited**

U.S. PATENT DOCUMENTS

D. 377,333 * 1/1997 Liu et al. D12/319

D. 382,851 * 8/1997 Knutson et al. D12/333

D. 388,392 * 12/1997 McGinnis et al. D12/333

3,703,998 * 11/1972 Girard 244/13

* cited by examiner

Primary Examiner—Kay H. Chin

(74) *Attorney, Agent, or Firm*—Robert A. Schruhl

(57) **CLAIM**

We claim the ornamental design for an aircraft, as shown.

DESCRIPTION

FIG. 1 is a top left front perspective view of an aircraft showing our new design;

FIG. 2 is a right side elevational view thereof;

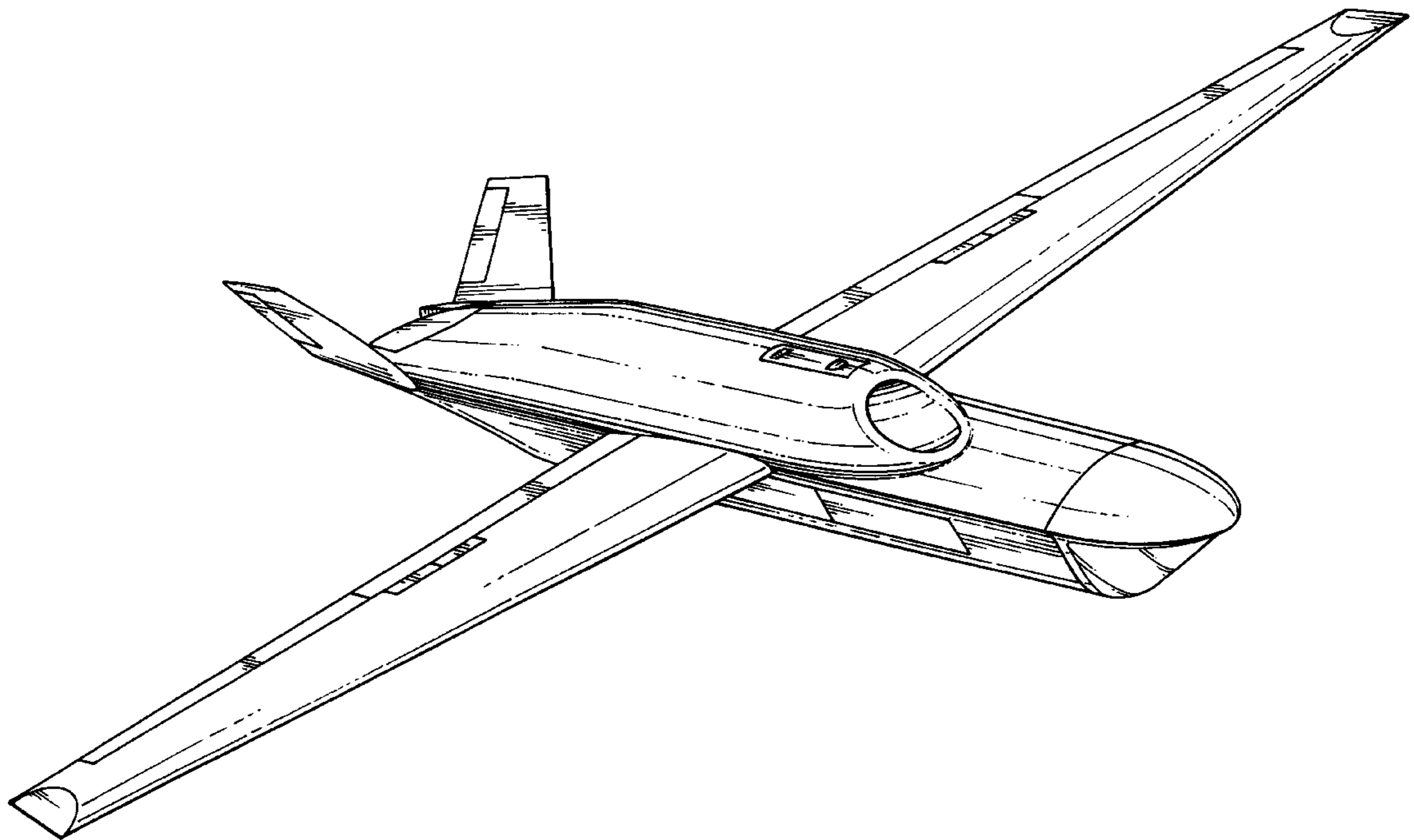
FIG. 3 is a top plan view thereof;

FIG. 4 is a bottom plan view thereof;

FIG. 5 is a front elevational view thereof; and,

FIG. 6 is a rear elevational view thereof.

1 Claim, 4 Drawing Sheets



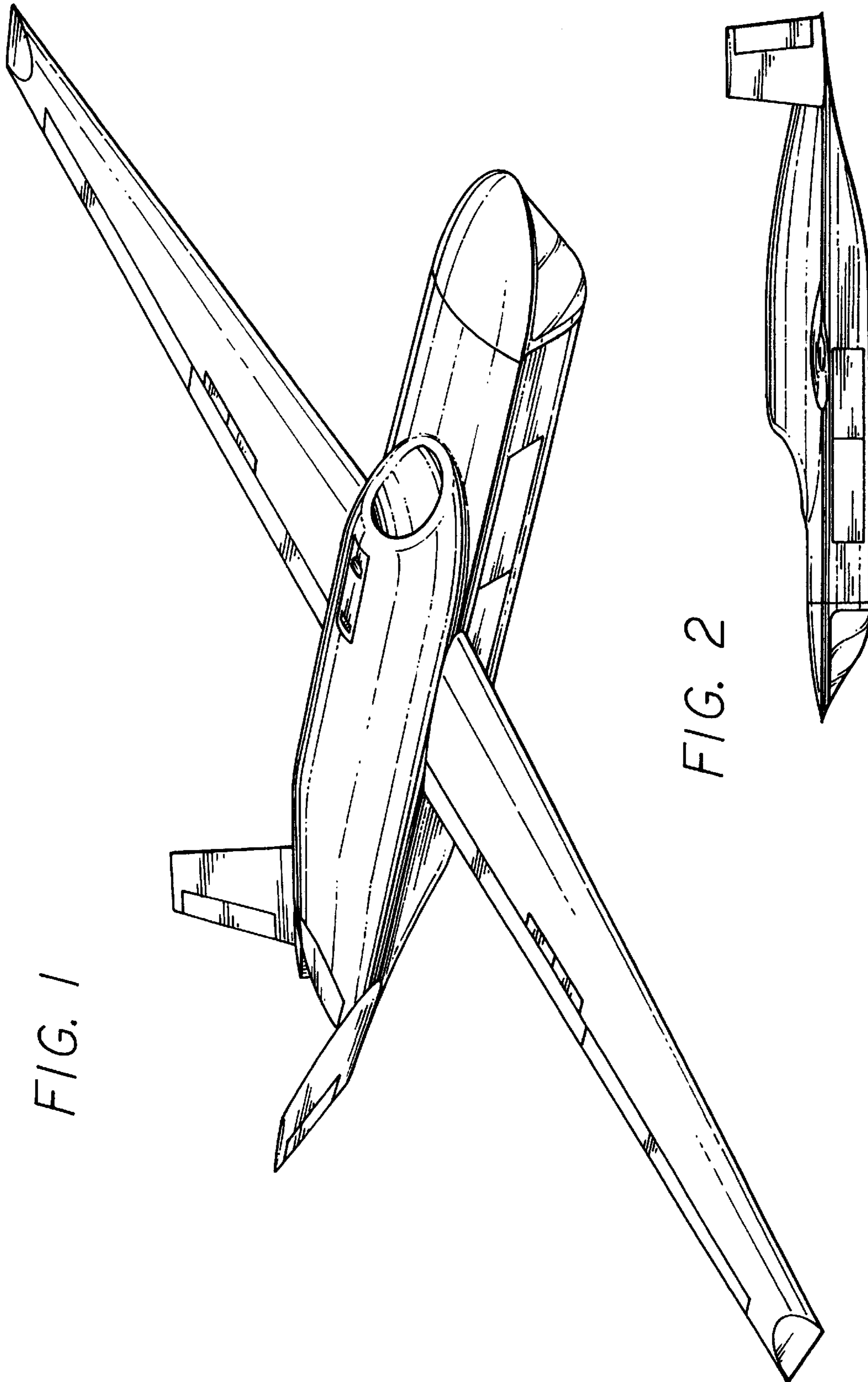


FIG. 1

FIG. 2

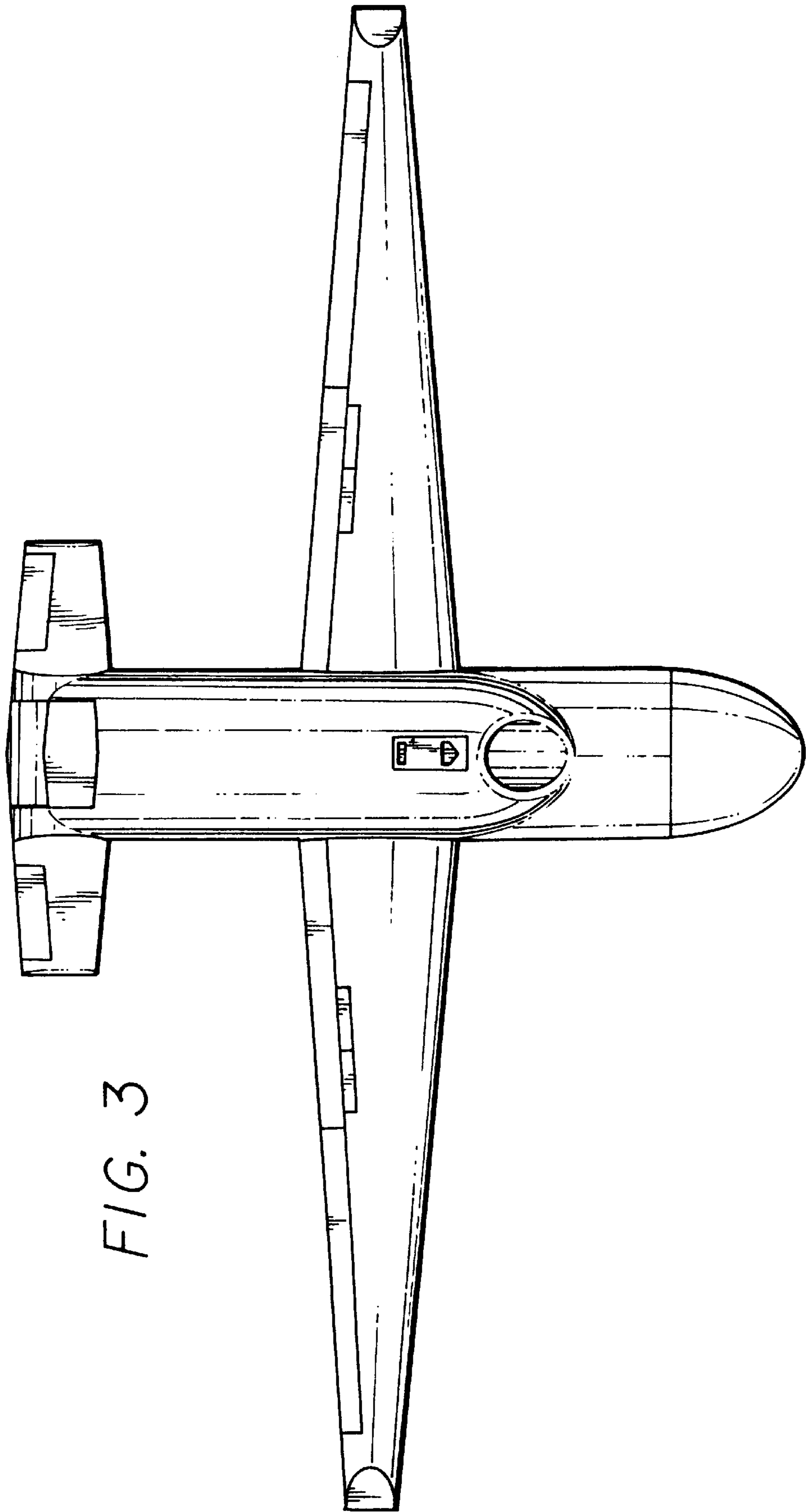


FIG. 3

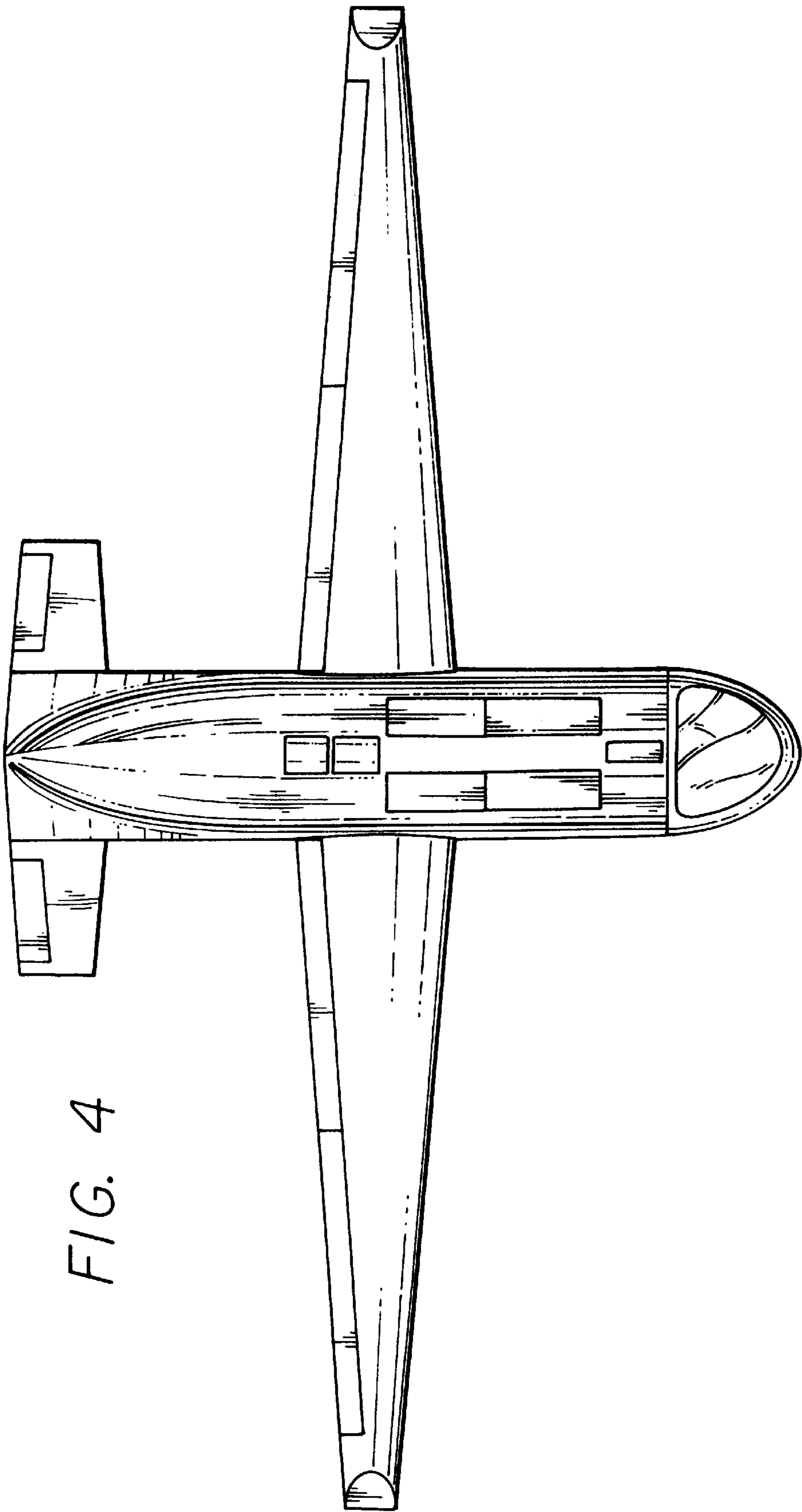


FIG. 4

FIG. 5

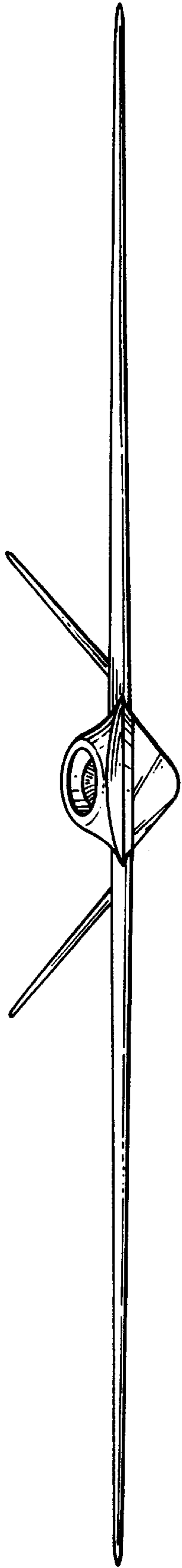


FIG. 6

