



US00D437281S

(12) **United States Design Patent**
Chen

(10) **Patent No.:** **US D437,281 S**

(45) **Date of Patent:** **** Feb. 6, 2001**

(54) **WHEEL FRAME FOR SCOOTER**

(75) **Inventor:** **Ting-Hsing Chen, Tainan Hsien (TW)**

(73) **Assignee:** **Far Great Plastics Industrial Co., Ltd., Tainan Hsien (TW)**

(**) **Term:** **14 Years**

(21) **Appl. No.:** **29/125,397**

(22) **Filed:** **Jun. 22, 2000**

(51) **LOC (7) Cl.** **12-16**

(52) **U.S. Cl.** **D12/211**

(58) **Field of Search** D12/204-211,
D12/133; 301/37.1, 64.1, 65

(56) **References Cited**

U.S. PATENT DOCUMENTS

| | | | | | |
|------------|---|---------|-------------------|-------|---------|
| D. 225,989 | * | 1/1973 | Chadwick | | D12/209 |
| D. 292,693 | * | 11/1987 | Cattaneo | | D12/211 |
| D. 299,918 | * | 2/1989 | Envall et al. | | D12/209 |
| D. 300,422 | * | 3/1989 | Schinella | | D12/209 |
| D. 300,818 | * | 4/1989 | Reid | | D12/211 |
| D. 364,844 | * | 12/1995 | Chien | | D12/209 |
| D. 368,883 | * | 4/1996 | Rhor | | D12/209 |
| D. 372,697 | * | 8/1996 | Echazabal et al. | | D12/209 |
| D. 378,506 | * | 3/1997 | Stolz et al. | | D12/209 |
| D. 383,721 | * | 9/1997 | Baker et al. | | D12/209 |
| D. 383,723 | * | 9/1997 | Muzzarelli et al. | | D12/209 |
| D. 387,319 | * | 12/1997 | Timm et al. | | D12/209 |

| | | | | | |
|------------|---|--------|--------------|-------|---------|
| D. 388,749 | * | 1/1998 | Kiser | | D12/211 |
| D. 389,101 | * | 1/1998 | Julien | | D12/209 |
| D. 391,544 | * | 3/1998 | Noriega | | D12/209 |
| D. 392,236 | * | 3/1998 | Noriega | | D12/209 |
| D. 392,610 | * | 3/1998 | Noriega | | D12/209 |
| D. 397,663 | * | 9/1998 | Chrysanto | | D12/209 |
| D. 398,273 | * | 9/1998 | Suprihanto | | D12/209 |
| D. 405,747 | * | 2/1999 | Sacco et al. | | D12/209 |
| D. 419,515 | * | 1/2000 | Brown | | D12/209 |
| D. 421,941 | * | 3/2000 | Cheng | | D12/209 |
| D. 428,593 | * | 7/2000 | Julien | | D12/209 |

* cited by examiner

Primary Examiner—Stacia Cadmus

(74) *Attorney, Agent, or Firm*—Rosenberg, Klein & Lee

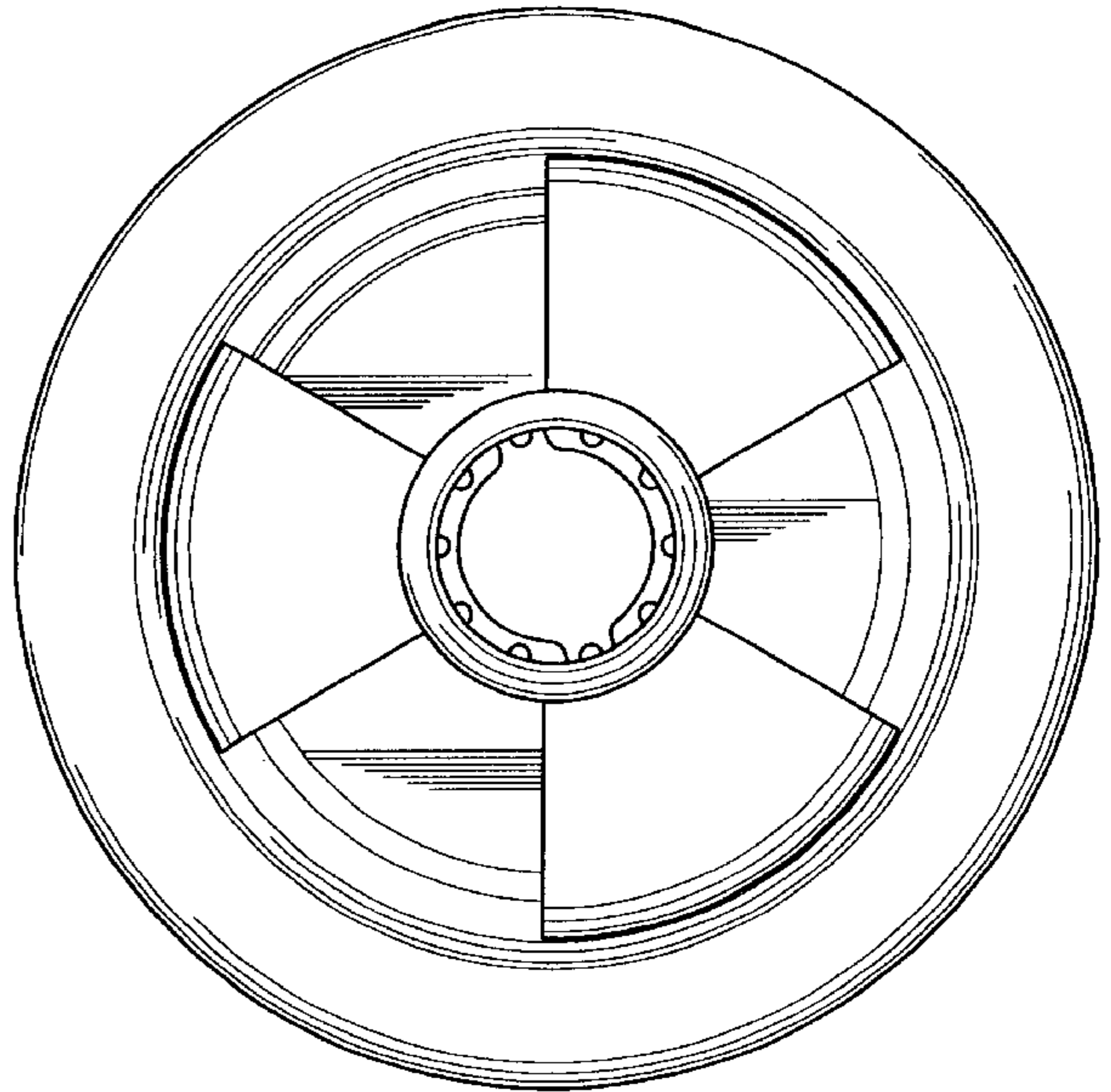
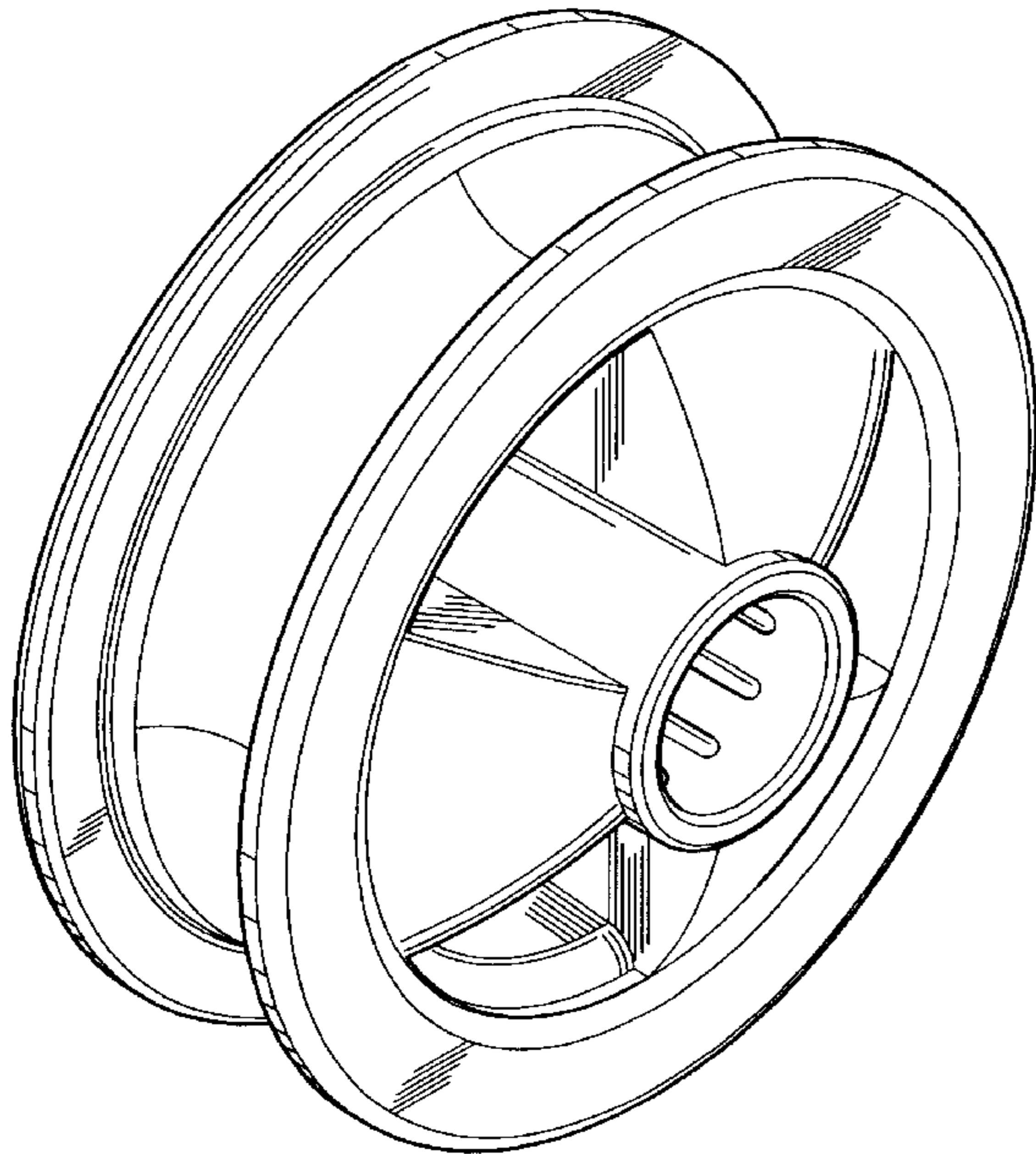
(57) **CLAIM**

The ornamental design for a wheel frame for scooter, as shown and described.

DESCRIPTION

FIG. 1 is a perspective view of wheel frame for scooter showing my present design;
FIG. 2 is a front view thereof;
FIG. 3 is a rear view thereof;
FIG. 4 is a left view thereof;
FIG. 5 is a right view thereof;
FIG. 6 is a top plan view thereof; and,
FIG. 7 is a bottom plan view.

1 Claim, 4 Drawing Sheets



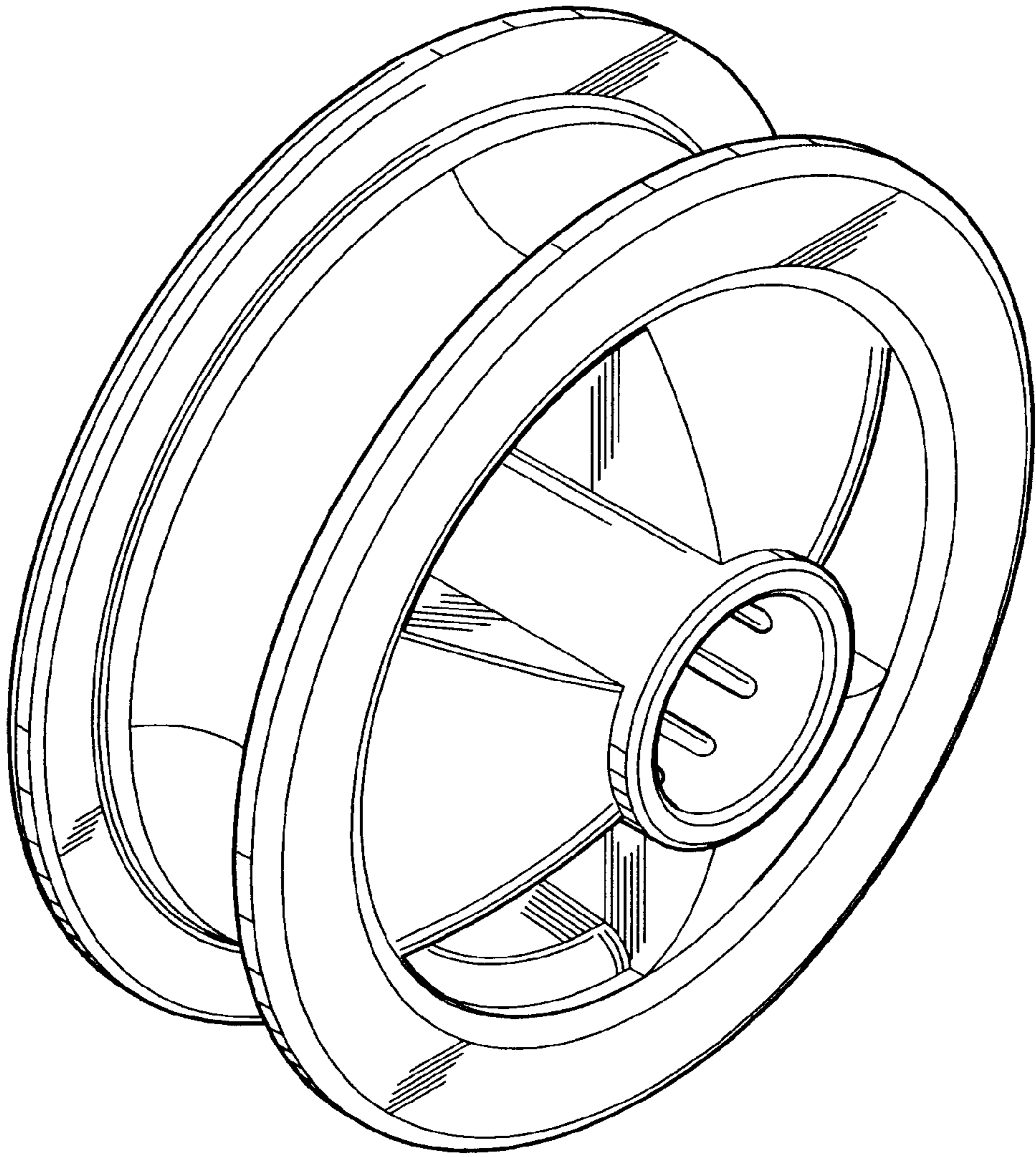


FIG. 1

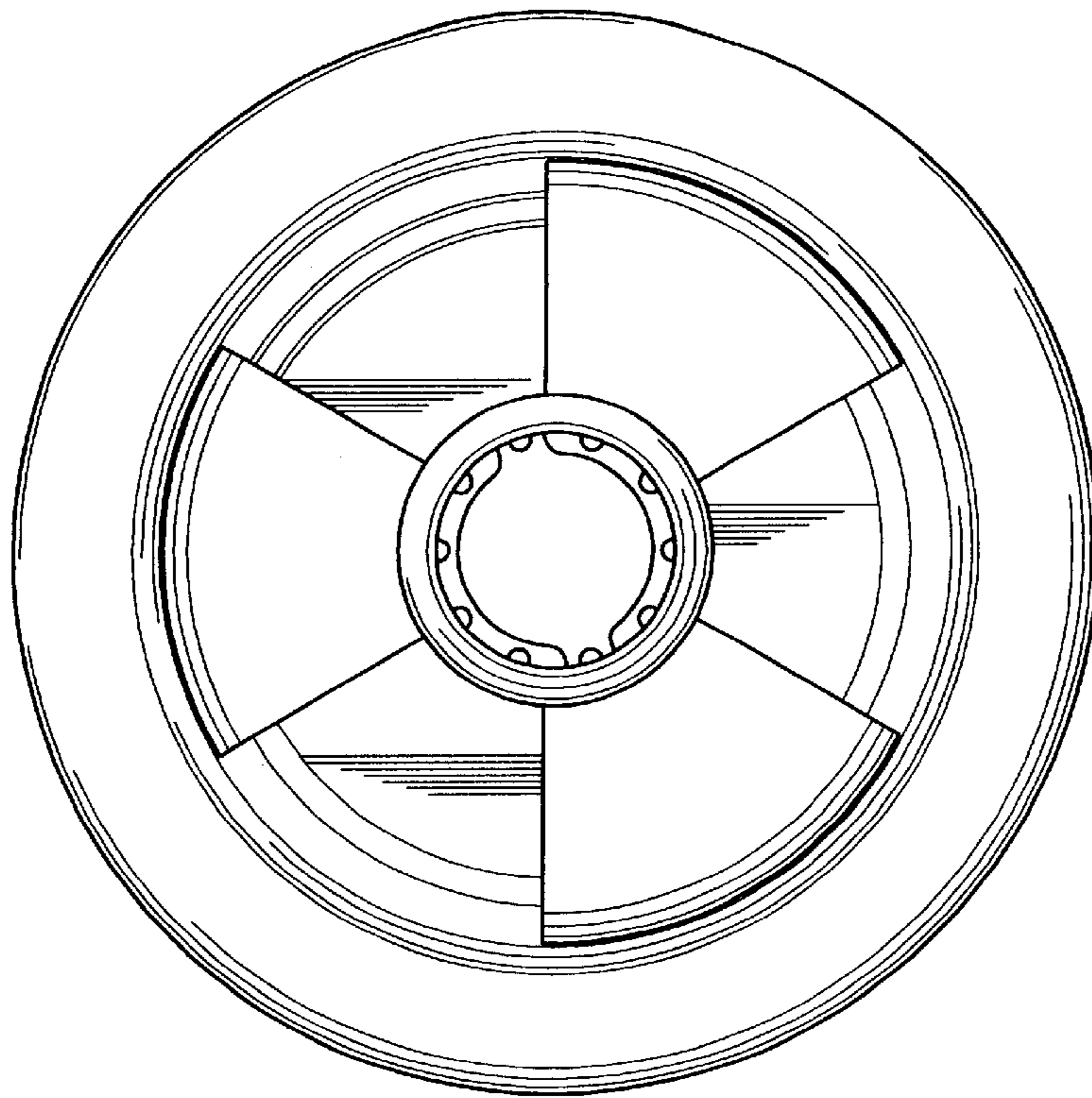


FIG. 2

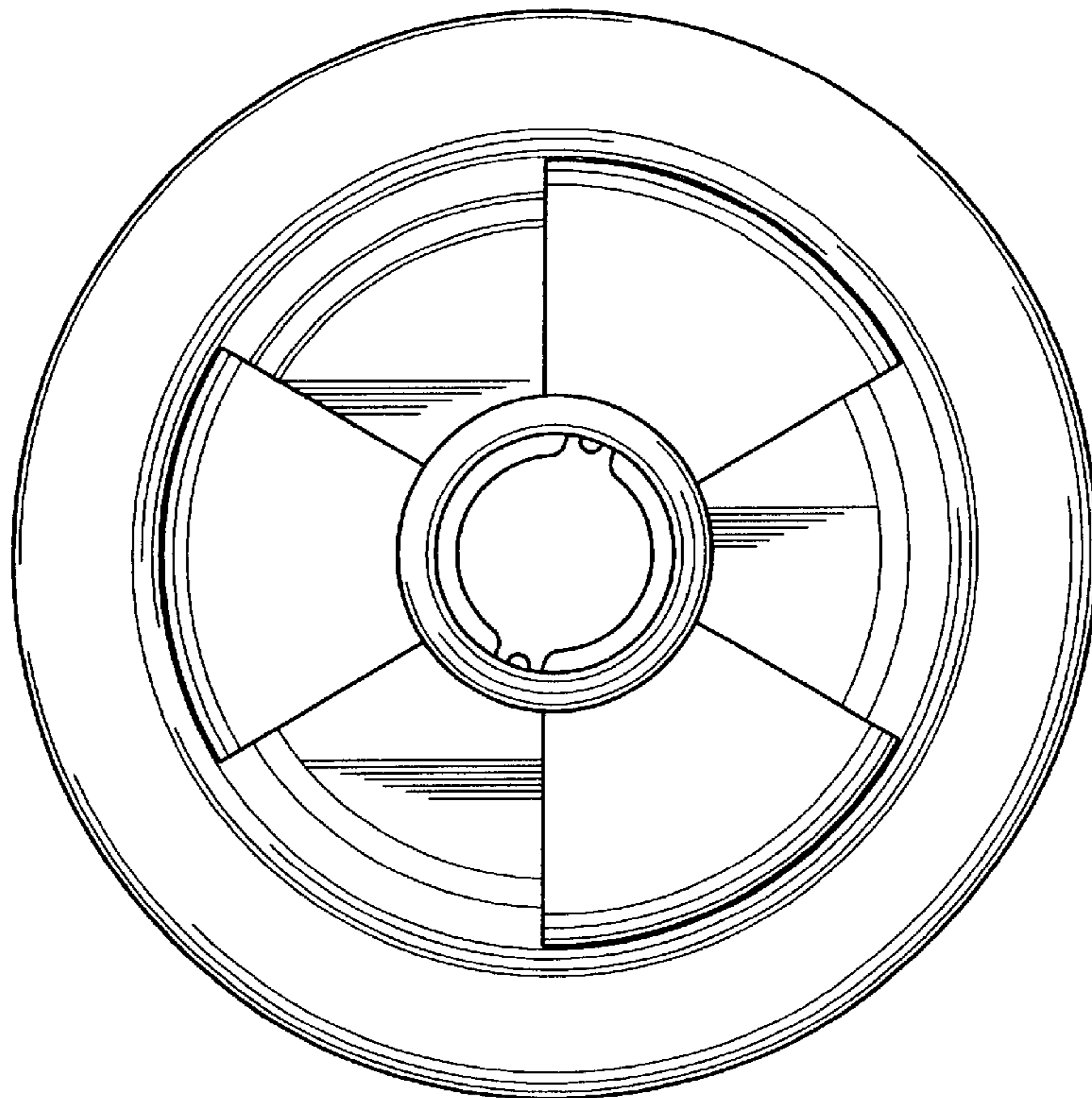


FIG. 3

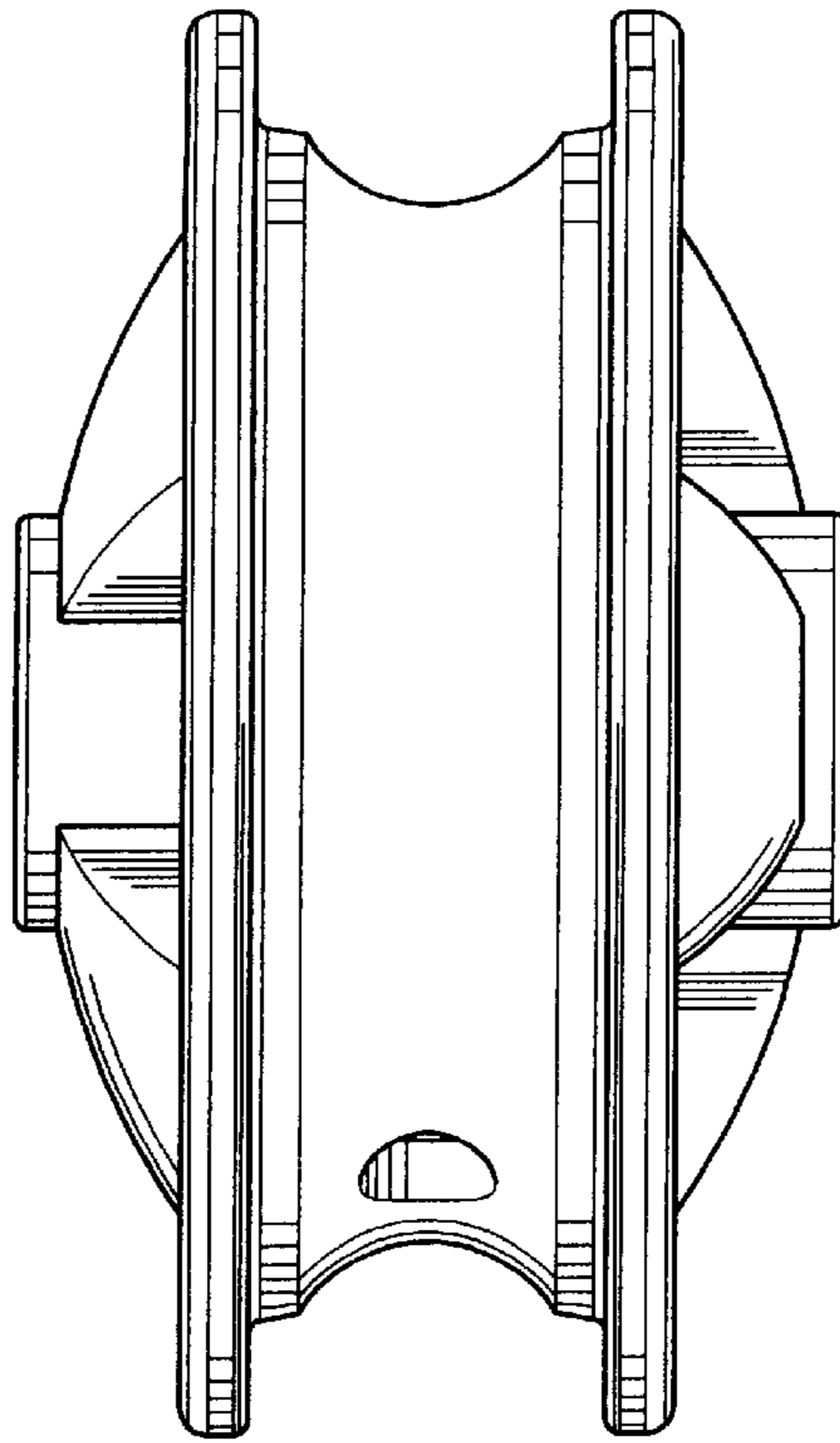


FIG. 4

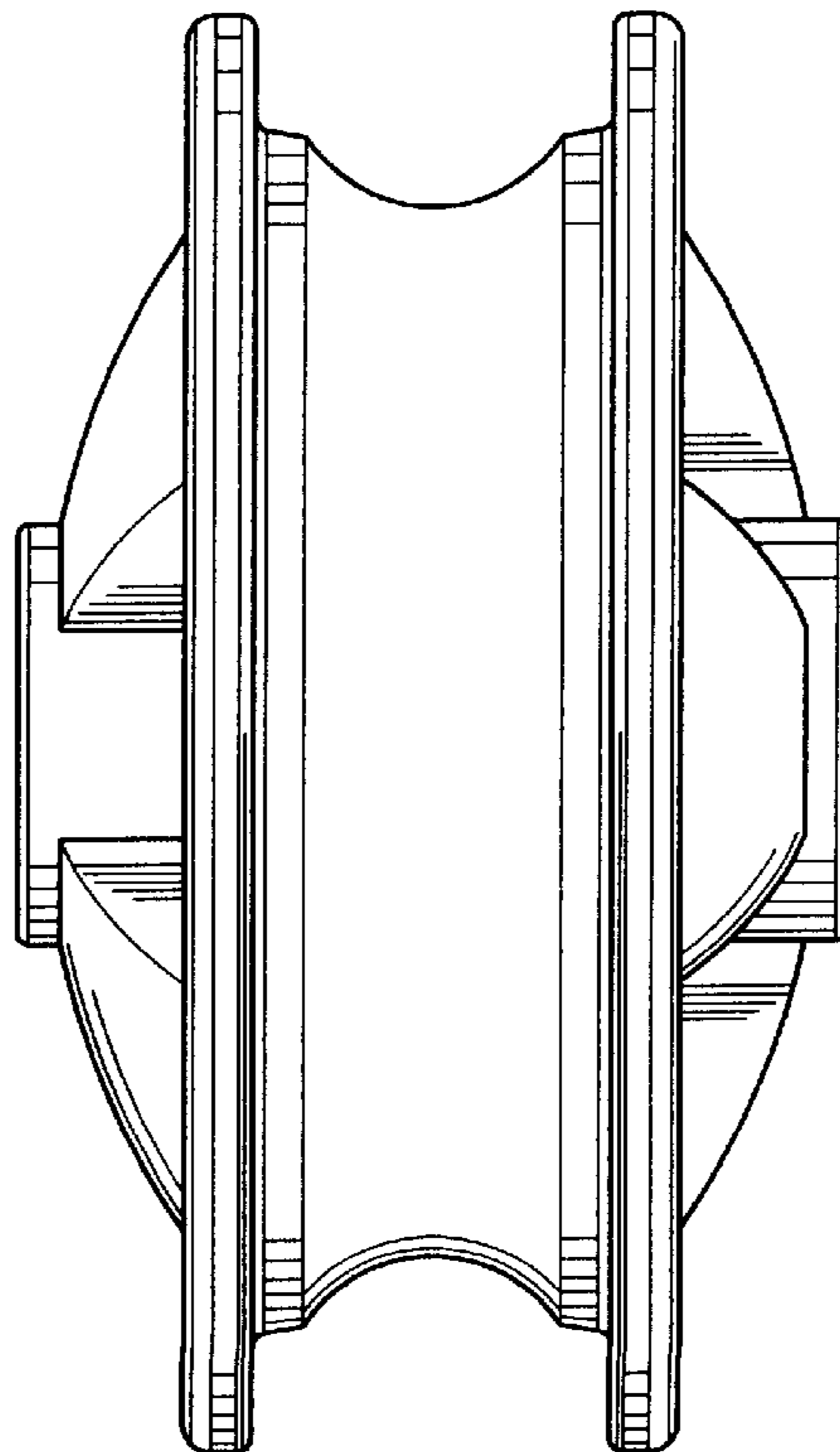


FIG. 5

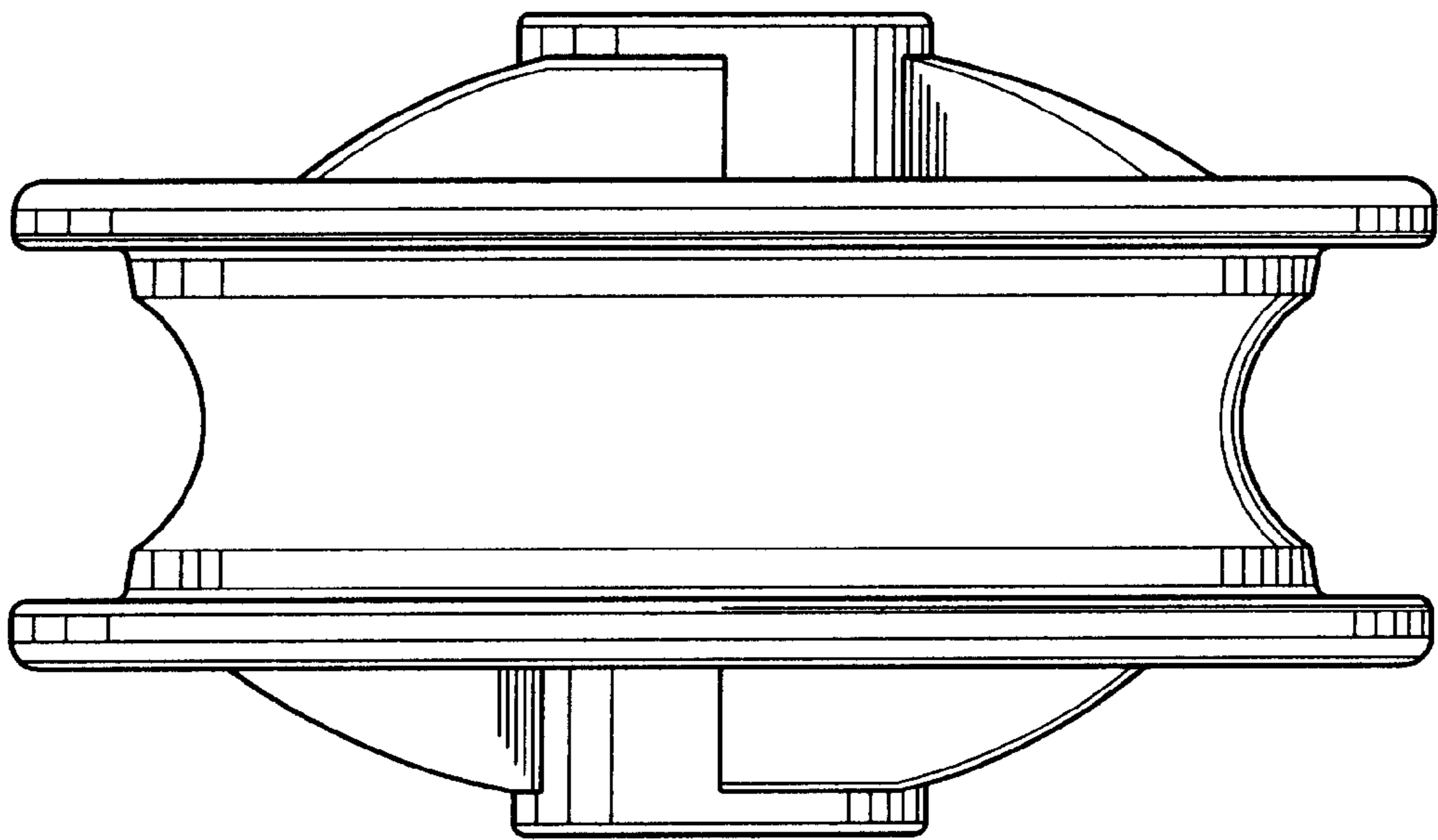


FIG. 6

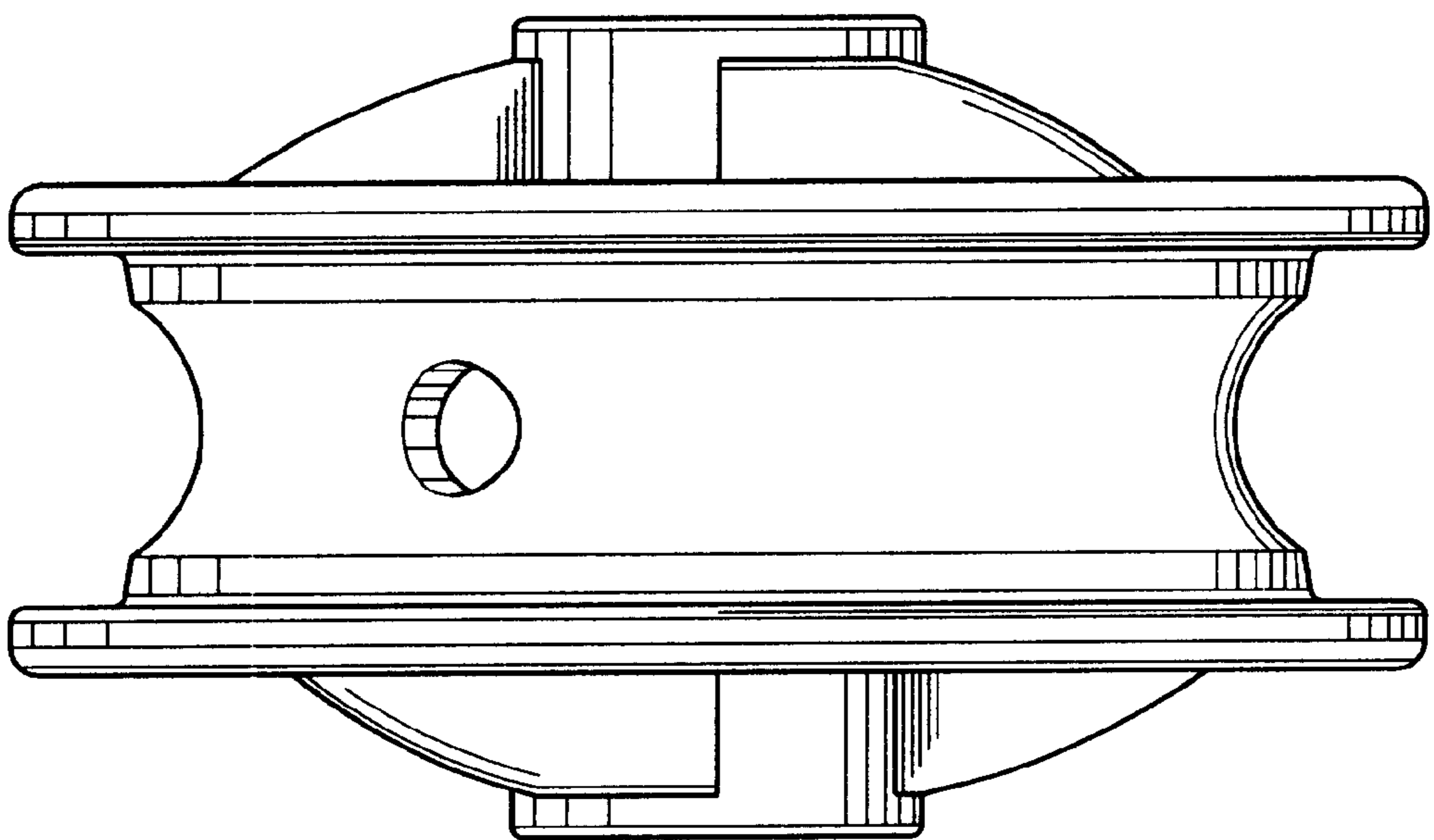


FIG. 7