



US00D437280S

(12) **United States Design Patent**
O'Connell

(10) **Patent No.:** **US D437,280 S**

(45) **Date of Patent:** **** Feb. 6, 2001**

(54) **FRONT FACE OF A VEHICLE WHEEL**

(75) **Inventor:** **David O'Connell**, Huntington Beach,
CA (US)

(73) **Assignee:** **Mitsubishi Jidosha Kogyo Kabushiki**
Kaisha, Tokyo (JP)

(**) **Term:** **14 Years**

(21) **Appl. No.:** **29/116,144**

(22) **Filed:** **Dec. 29, 1999**

(51) **LOC (7) Cl.** **12-16**

(52) **U.S. Cl.** **D12/211**

(58) **Field of Search** D12/204-211;
301/37.1, 64.1, 65

(56) **References Cited**

U.S. PATENT DOCUMENTS

- D. 285,916 * 9/1986 Walter D12/211
- D. 286,037 * 10/1986 Walter D12/211
- D. 376,574 * 12/1996 Niles D12/211
- D. 382,244 * 8/1997 Niles D12/211

- D. 412,480 * 8/1999 Hussaini et al. D12/209
- D. 415,091 * 10/1999 Echazabal D12/209
- D. 415,094 * 10/1999 Neeper D12/211
- D. 419,942 * 2/2000 Lampkin D12/209

* cited by examiner

Primary Examiner—Stacia Cadmus

(57) **CLAIM**

The ornamental design for a front face of a vehicle wheel,
as shown and described.

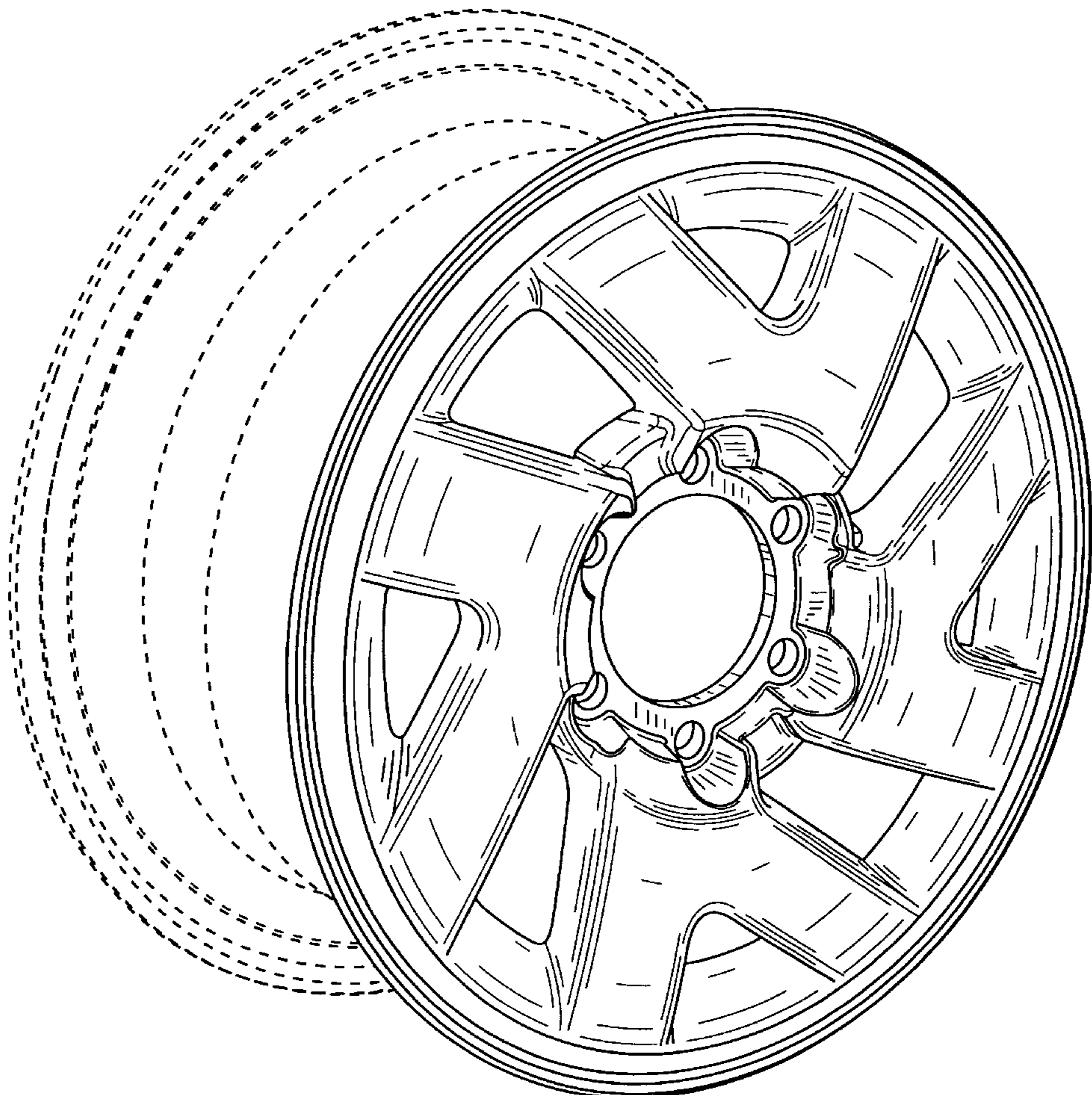
DESCRIPTION

FIG. 1 is a front perspective view of a front face of a vehicle
wheel showing my new design;
FIG. 2 is a front view thereof; and,
FIG. 3 is a left side view thereof.

The broken lines showing of environmental structure in
FIGS. 1 and 3 are for illustrative purposes only and form no
part of the claimed design.

A right side view, a top view, and a bottom view have been
omitted because these views are identical to the left side
view shown in FIG. 3.

1 Claim, 3 Drawing Sheets



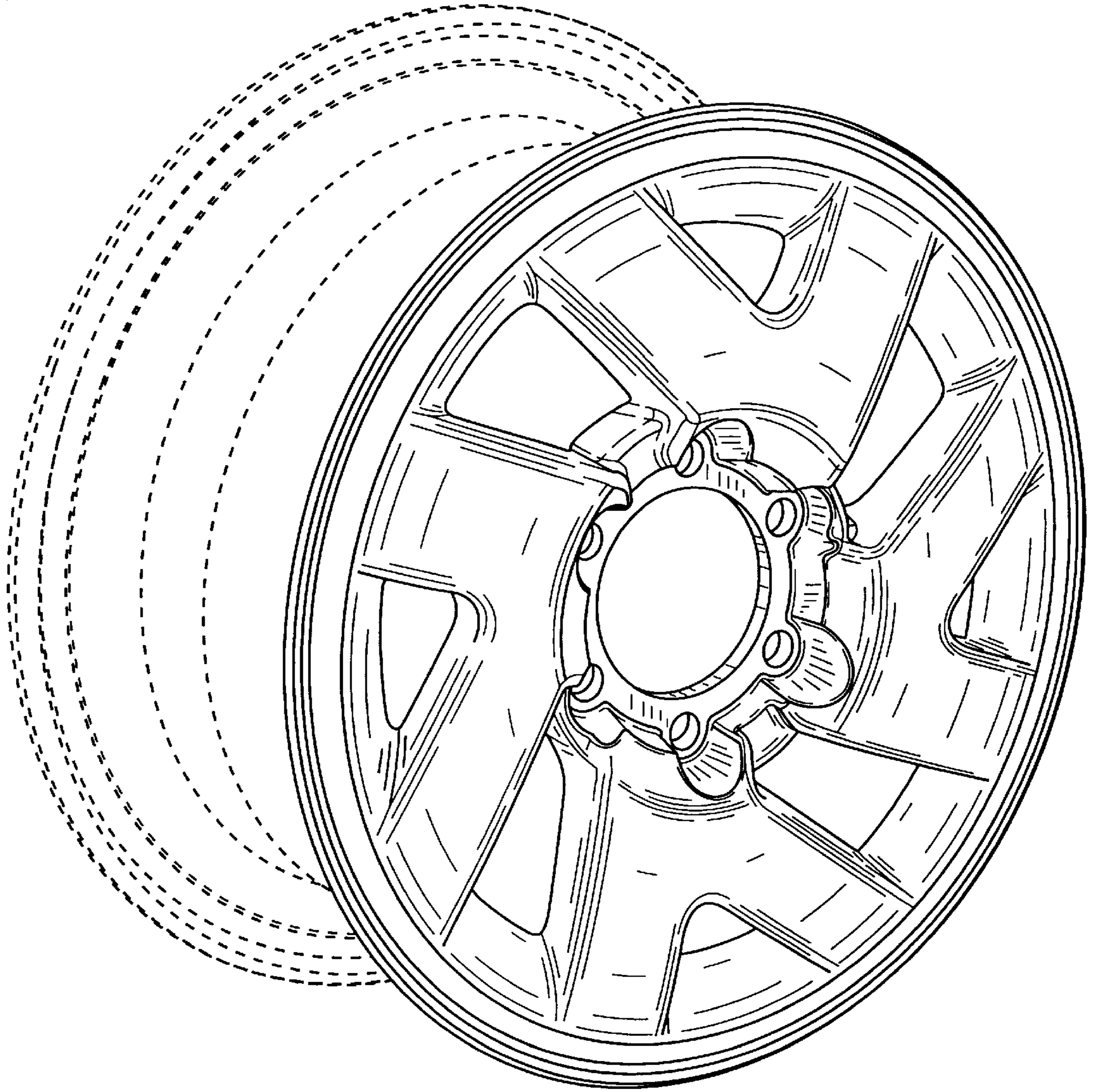


FIG. 1

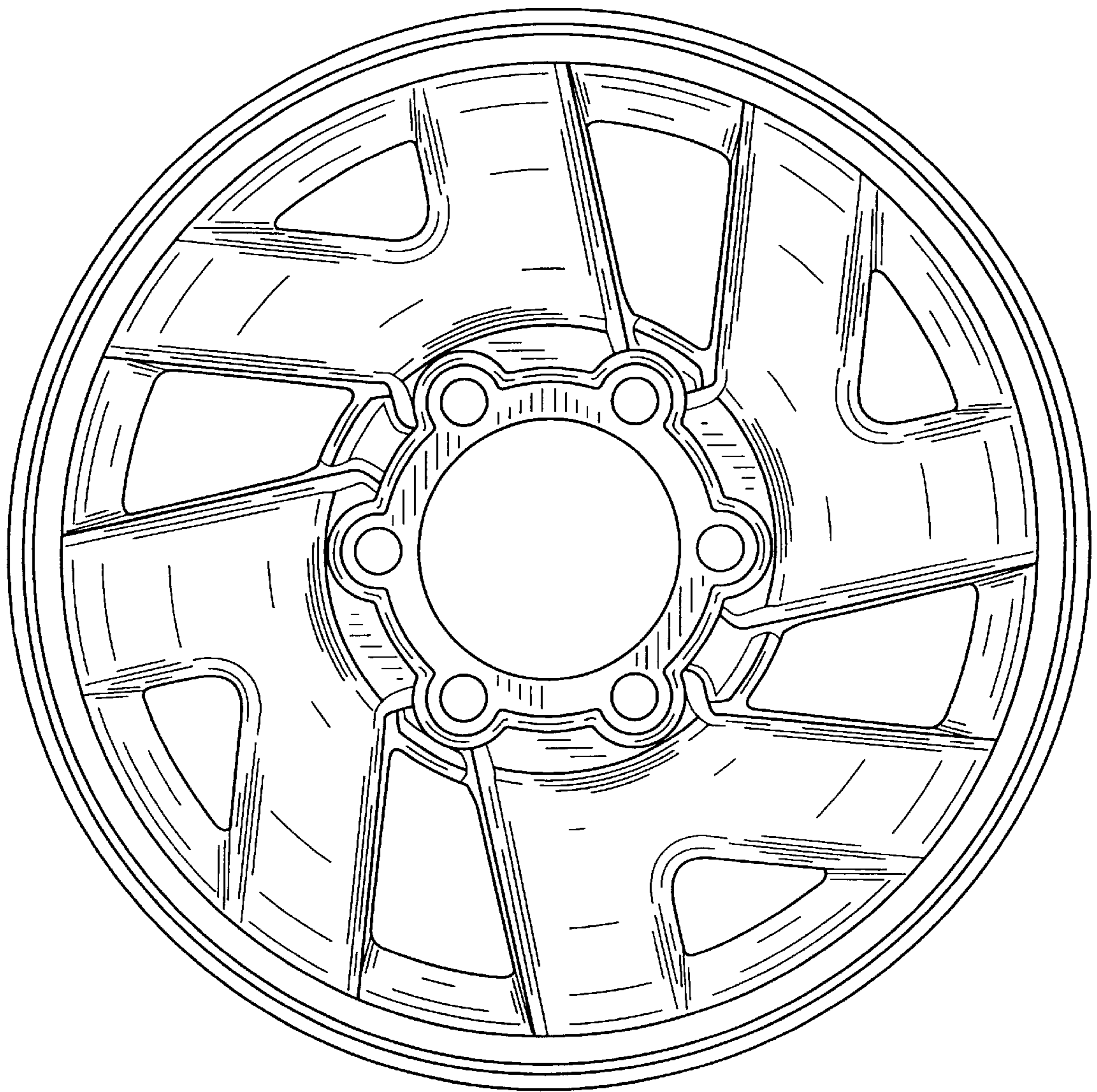


FIG. 2

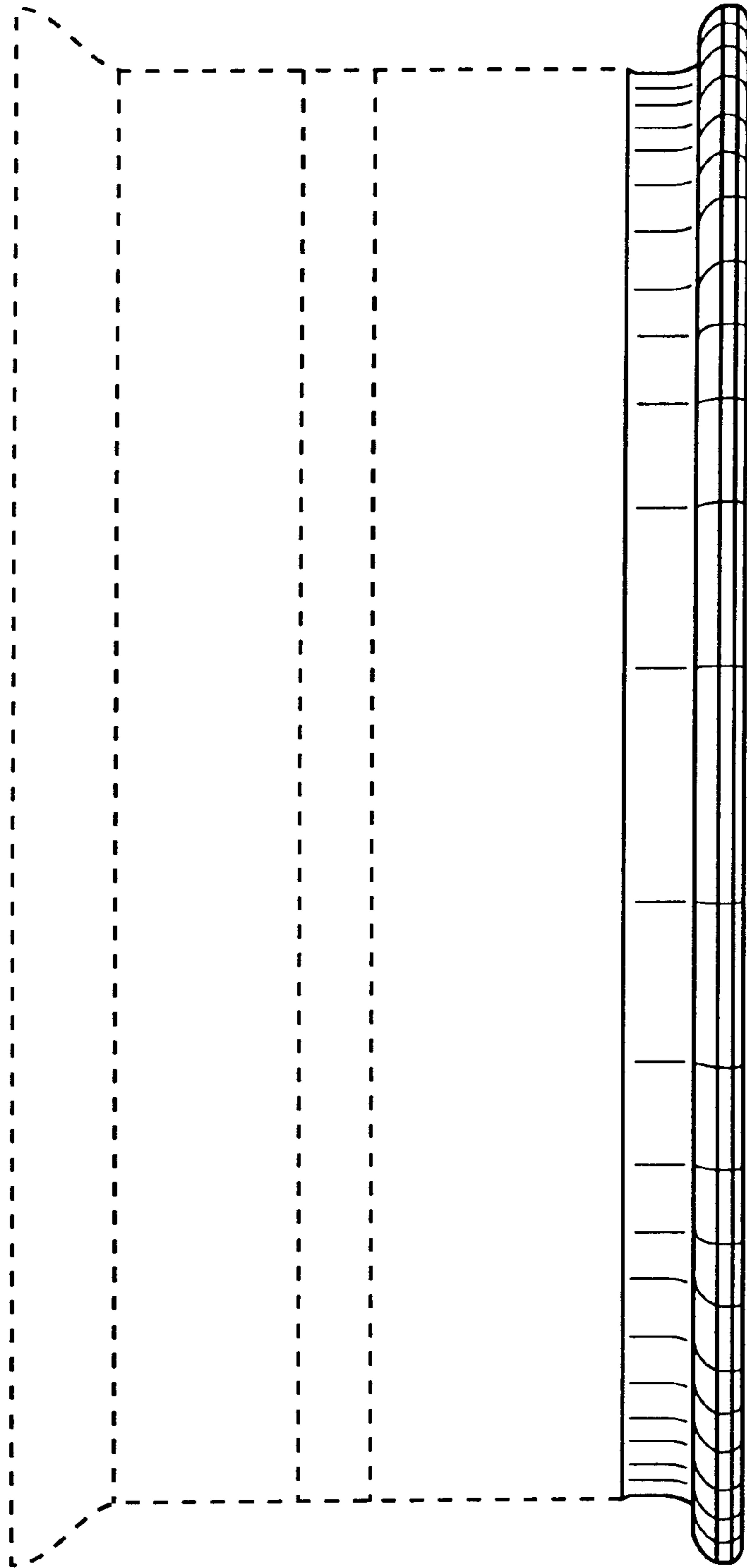


FIG. 3