



US00D437279S

(12) **United States Design Patent**  
**O'Connell**

(10) **Patent No.:** **US D437,279 S**

(45) **Date of Patent:** **\*\* Feb. 6, 2001**

(54) **FRONT FACE OF A VEHICLE WHEEL**

(75) **Inventor:** **David O'Connell**, Huntington Beach,  
CA (US)

(73) **Assignee:** **Mitsubishi Jidosha Kogyo Kabushiki**  
**Kaisha**, Tokyo (JP)

(\*\*) **Term:** **14 Years**

(21) **Appl. No.:** **29/116,143**

(22) **Filed:** **Dec. 29, 1999**

(51) **LOC (7) Cl.** ..... **12-16**

(52) **U.S. Cl.** ..... **D12/211**

(58) **Field of Search** ..... D12/204-211;  
301/37.1, 64.1, 65

(56) **References Cited**

**U.S. PATENT DOCUMENTS**

- D. 372,696 \* 8/1996 Tung ..... D12/209
- D. 376,574 \* 12/1996 Niles ..... D12/211
- D. 391,544 \* 3/1998 Noriega ..... D12/209
- D. 392,236 \* 3/1998 Noriega ..... D12/209

- D. 392,610 \* 3/1998 Noriega ..... D12/209
- D. 415,094 \* 10/1999 Neeper ..... D12/211
- D. 415,462 \* 10/1999 Hussaini et al. .... D12/209
- D. 419,515 \* 1/2000 Brown ..... D12/209

\* cited by examiner

*Primary Examiner*—Stacia Cadmus

(57) **CLAIM**

The ornamental design for a front face of a vehicle wheel,  
as shown and described.

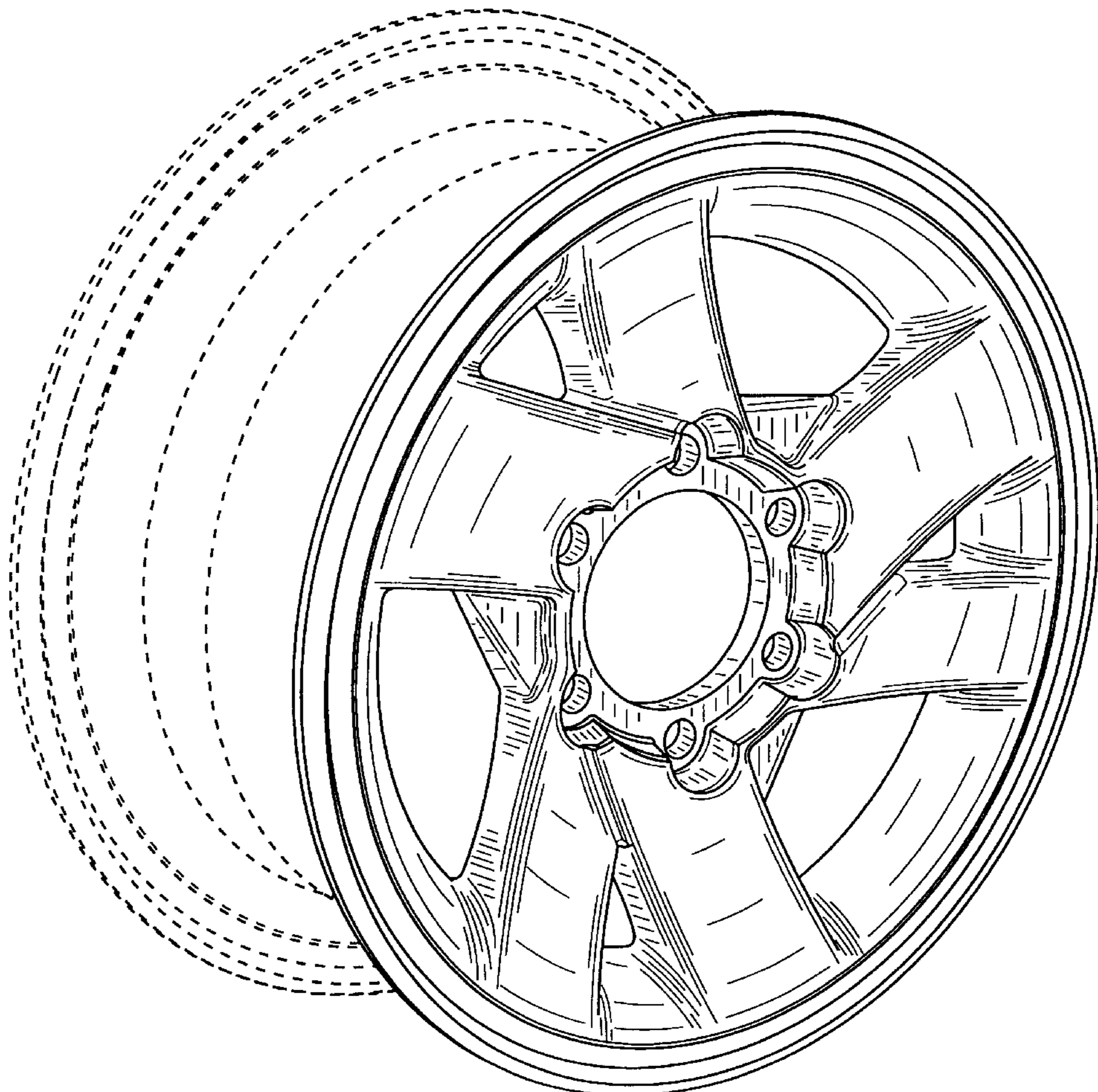
**DESCRIPTION**

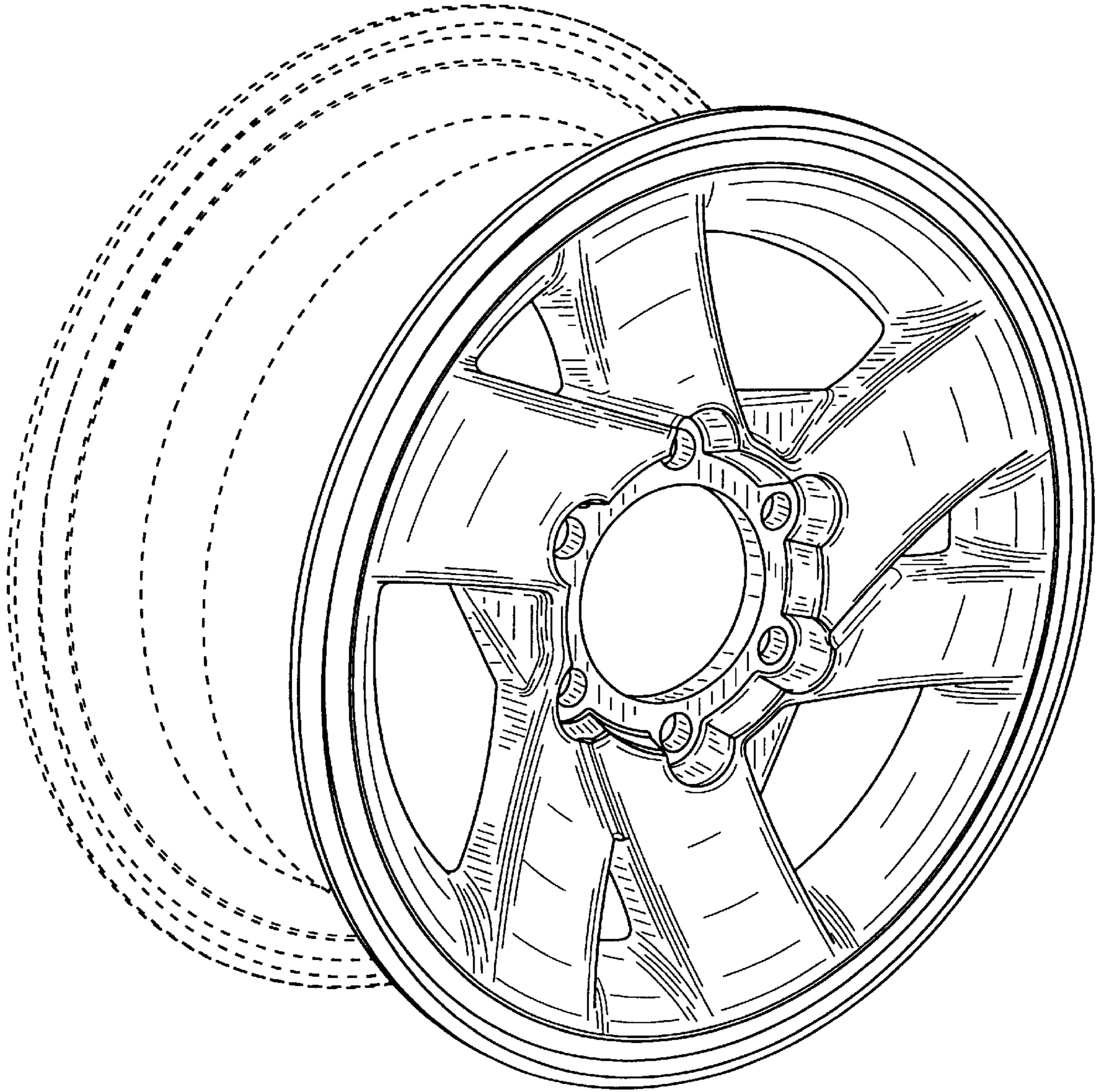
FIG. 1 is a front perspective view of a front face of a vehicle  
wheel showing my new design;  
FIG. 2 is a front view thereof; and,  
FIG. 3 is a left side view thereof.

The broken lines showing of environmental structure in  
FIGS. 1 and 3 are for illustrative purposes only and form no  
part of the claimed design.

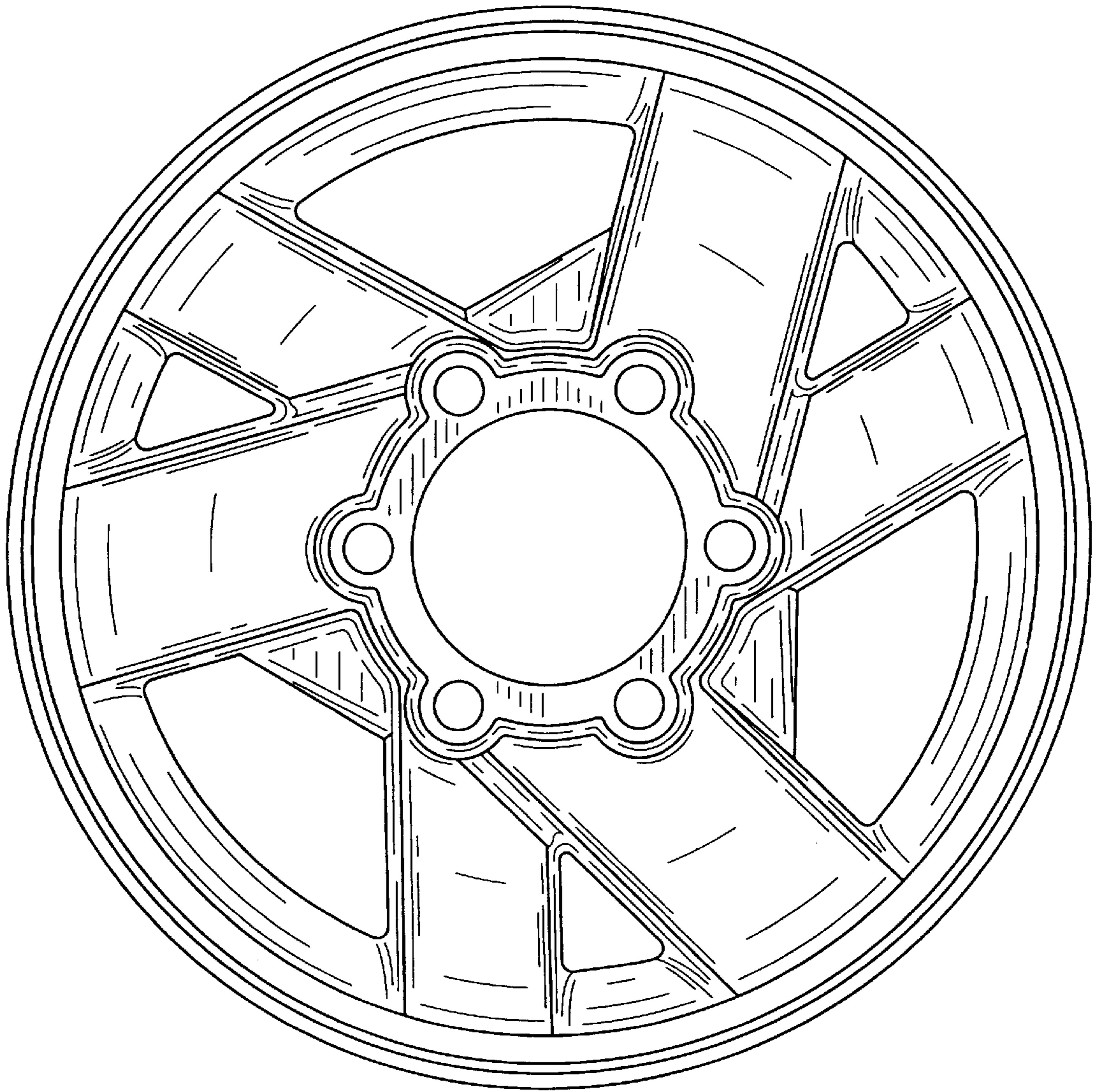
A right side view, a top view, and a bottom view have been  
omitted because these views are identical to the left side  
view shown in FIG. 3.

**1 Claim, 3 Drawing Sheets**

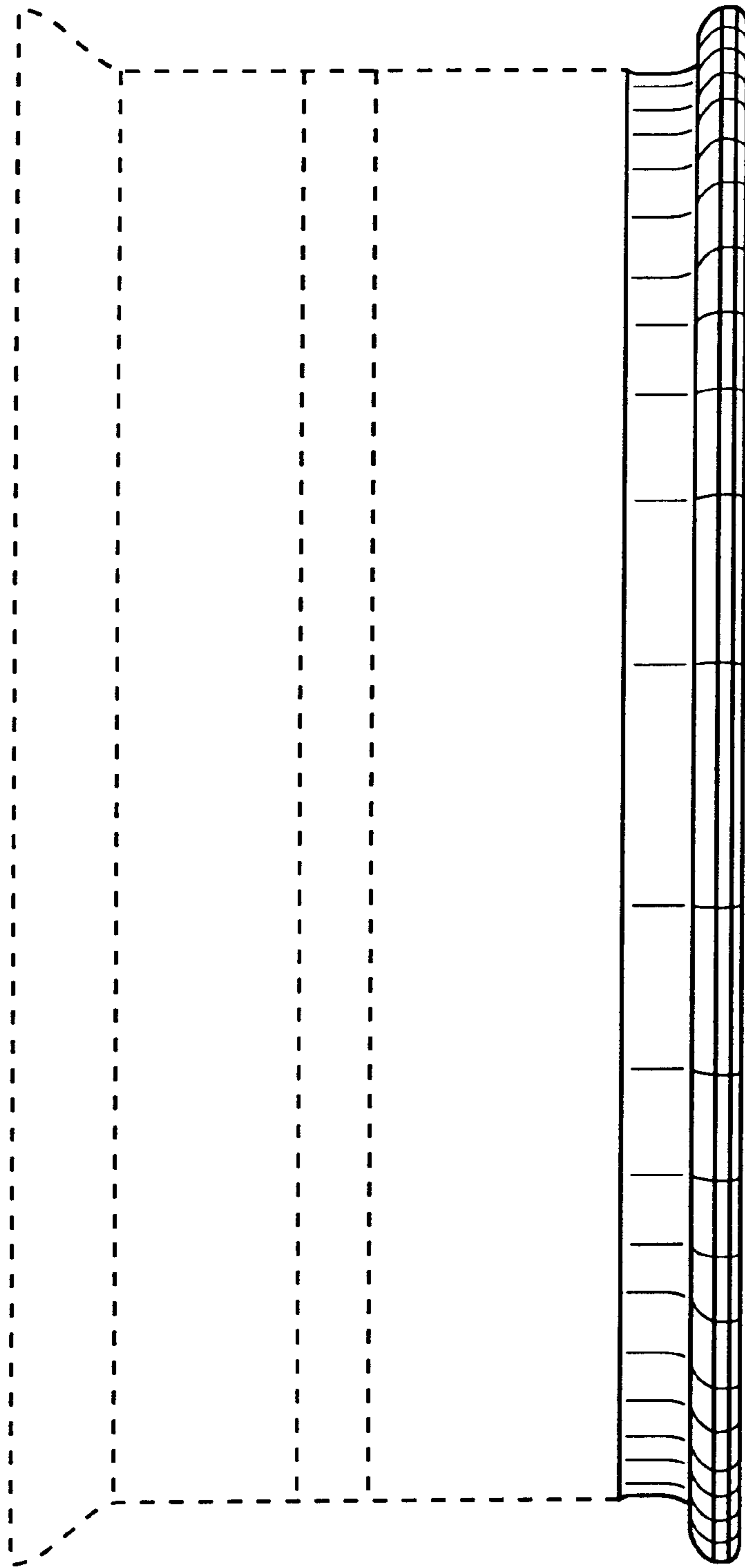




**FIG. 1**



**FIG. 2**



**FIG. 3**