



US00D437278S

(12) **United States Design Patent**
Sulahian

(10) **Patent No.:** **US D437,278 S**

(45) **Date of Patent:** **** Feb. 6, 2001**

(54) **WHEEL**

(76) Inventor: **Diko Sulahian**, 10242 S. Norwalk Blvd., Santa Fe Springs, CA (US) 90670

(**) Term: **14 Years**

(21) Appl. No.: **29/110,737**

(22) Filed: **Sep. 10, 1999**

(51) **LOC (7) Cl.** **12-16**

(52) **U.S. Cl.** **D12/211**

(58) **Field of Search** D12/204-211;
301/37.1, 64.1, 65

(56) **References Cited**

U.S. PATENT DOCUMENTS

D. 218,815	*	9/1970	Powell	D12/211
D. 235,252	*	6/1975	May et al.	D12/211
D. 235,253	*	6/1975	May et al.	D12/211
D. 416,531	*	11/1999	Gabath	D12/209
D. 416,533	*	11/1999	Sulahian	D12/211

OTHER PUBLICATIONS

Lowrider Magazine, p. 71, See Giovanna Wheel "Barletta", Aug. 1999.*

* cited by examiner

Primary Examiner—Stacia Cadmus

(74) *Attorney, Agent, or Firm*—Lyon & Lyon

(57) **CLAIM**

The ornamental design for a wheel, as shown and described.

DESCRIPTION

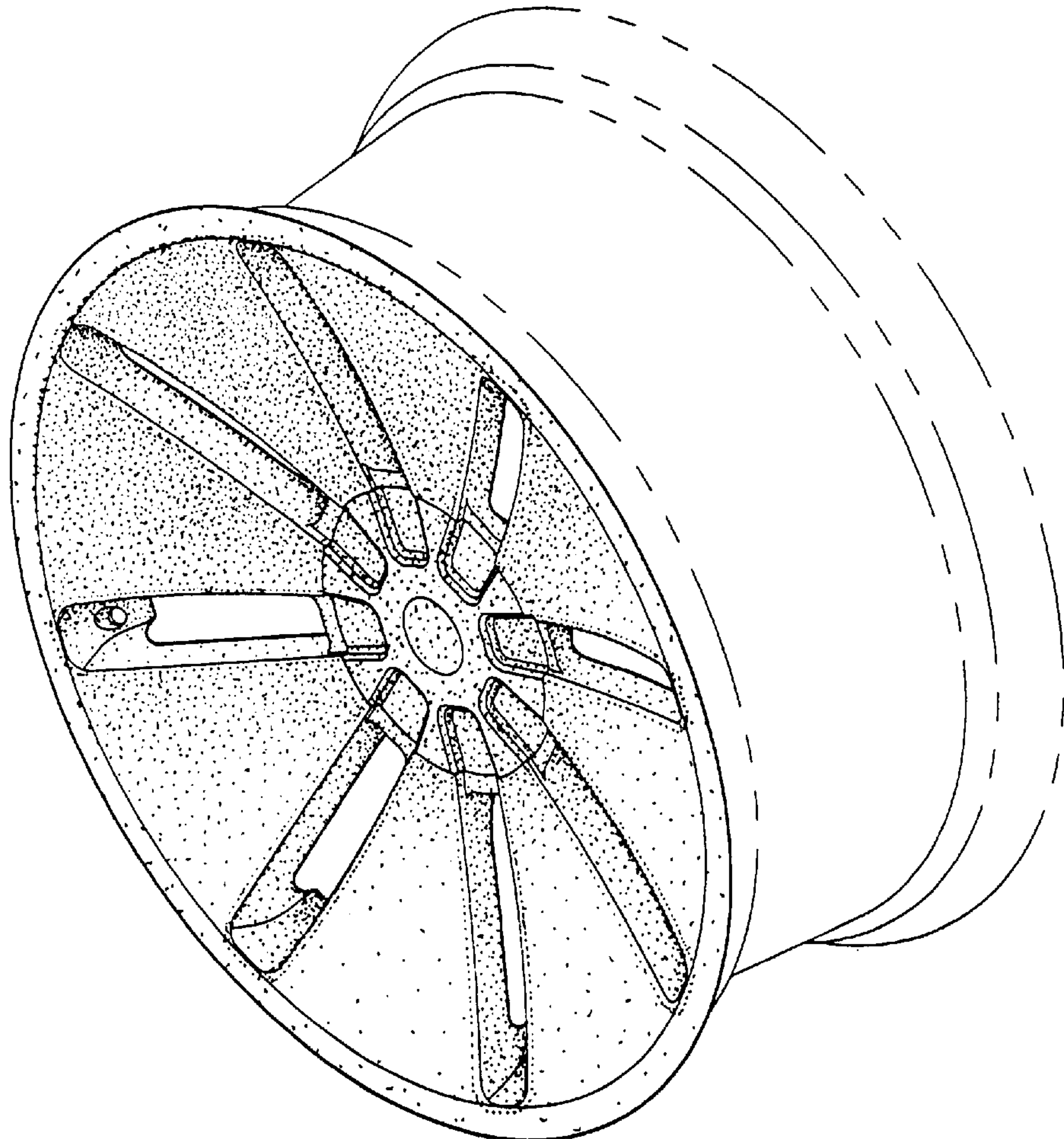
FIG. 1 is a front and side perspective view of a wheel showing my new design; and,

FIG. 2 is a front elevation view thereof.

The surfaces or portions of the wheel not shown in the drawings form no part of the claimed design.

The broken line showing of environment is for illustrative purposes only and forms no part of the claimed design.

1 Claim, 1 Drawing Sheet



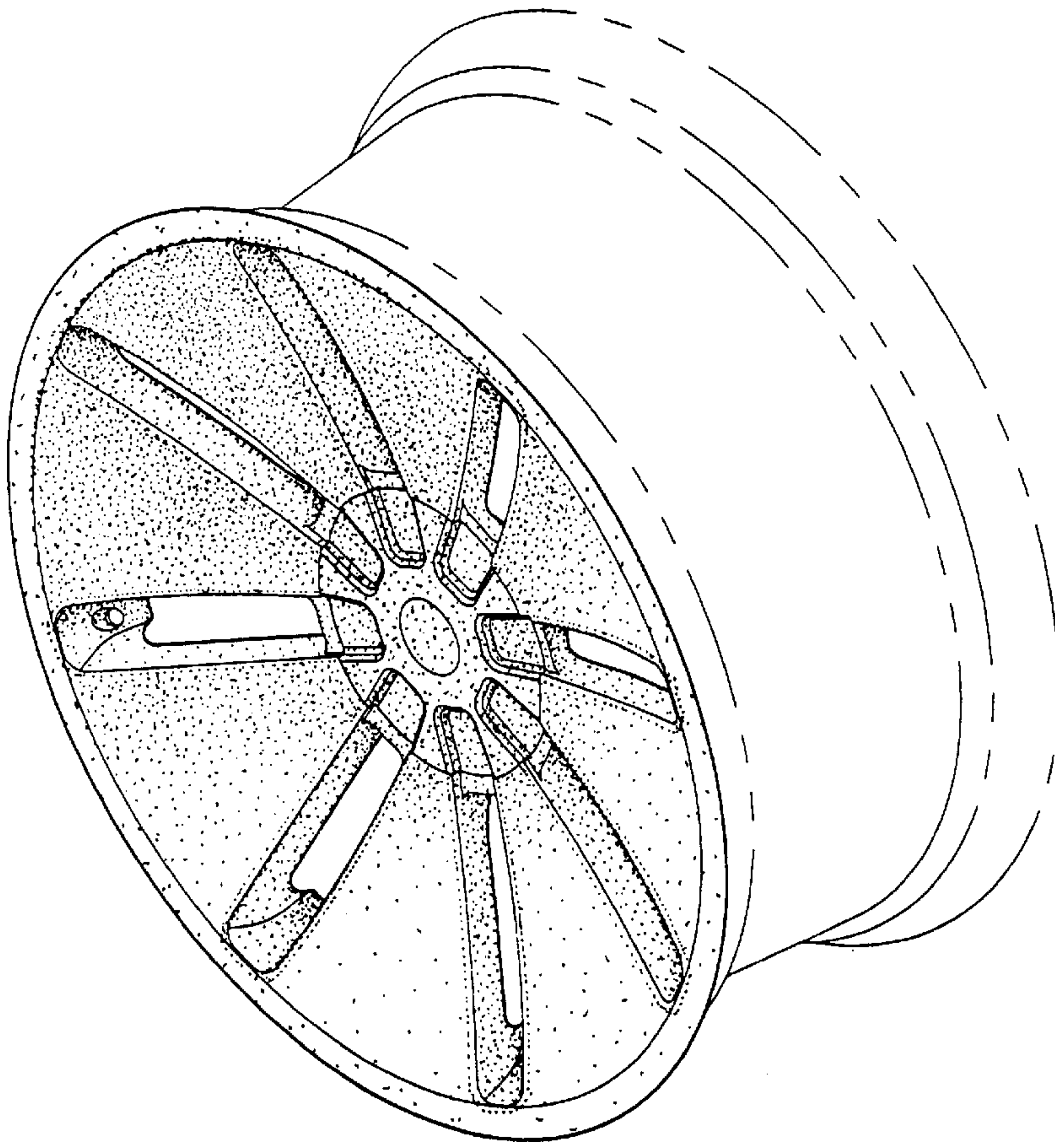


FIG. 1

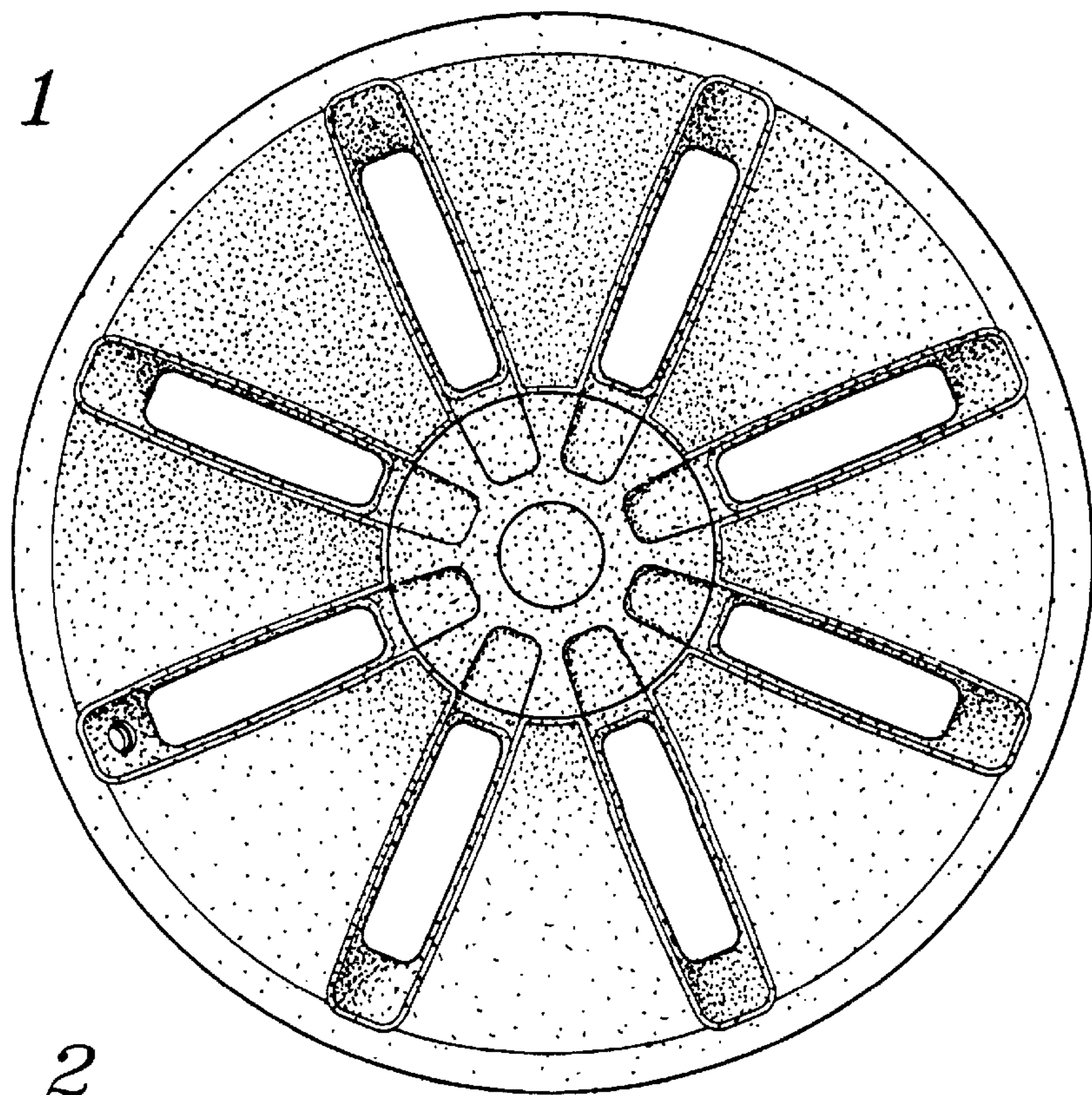


FIG. 2