



US00D437275S

(12) **United States Design Patent**
Dahl et al.

(10) **Patent No.:** **US D437,275 S**

(45) **Date of Patent:** **** Feb. 6, 2001**

(54) **DOOR FOR VEHICLE CAB**

P. 8 of the Bobcat Worksaver magazine, Summer of 1994
(Published Jun. 1994).

(75) Inventors: **Jeffrey A. Dahl**, Lisbon; **Thomas Tokach**, Mandan, both of ND (US)

* cited by examiner

(73) Assignee: **Clark Equipment Company**, Woodcliff Lake, NJ (US)

Primary Examiner—Melody N. Brown

(74) *Attorney, Agent, or Firm*—Westman, Champlin & Kelly, P.A.

(**) Term: **14 Years**

(21) Appl. No.: **29/104,128**

(57) **CLAIM**

(22) Filed: **Apr. 28, 1999**

The ornamental design for a door for vehicle cab, as shown.

(51) **LOC (7) Cl.** **12-16**

DESCRIPTION

(52) **U.S. Cl.** **D12/196**

(58) **Field of Search** D12/196, 96, 99,
D12/100; 296/27, 190; 180/89.12-89.14,
89.16

FIG. 1 is a front perspective view of a door for a vehicle cab embodying my new design;

FIG. 2 is a top plan view thereof;

FIG. 3 is a front elevational view thereof;

FIG. 4 is a side elevational view thereof as viewed from a first side;

FIG. 5 is a side elevational view from a side opposite that shown on FIG. 4;

FIG. 6 is a rear elevational view thereof; and,

FIG. 7 is a bottom plan view thereof, the broken line representation form no part of the design.

(56) **References Cited**

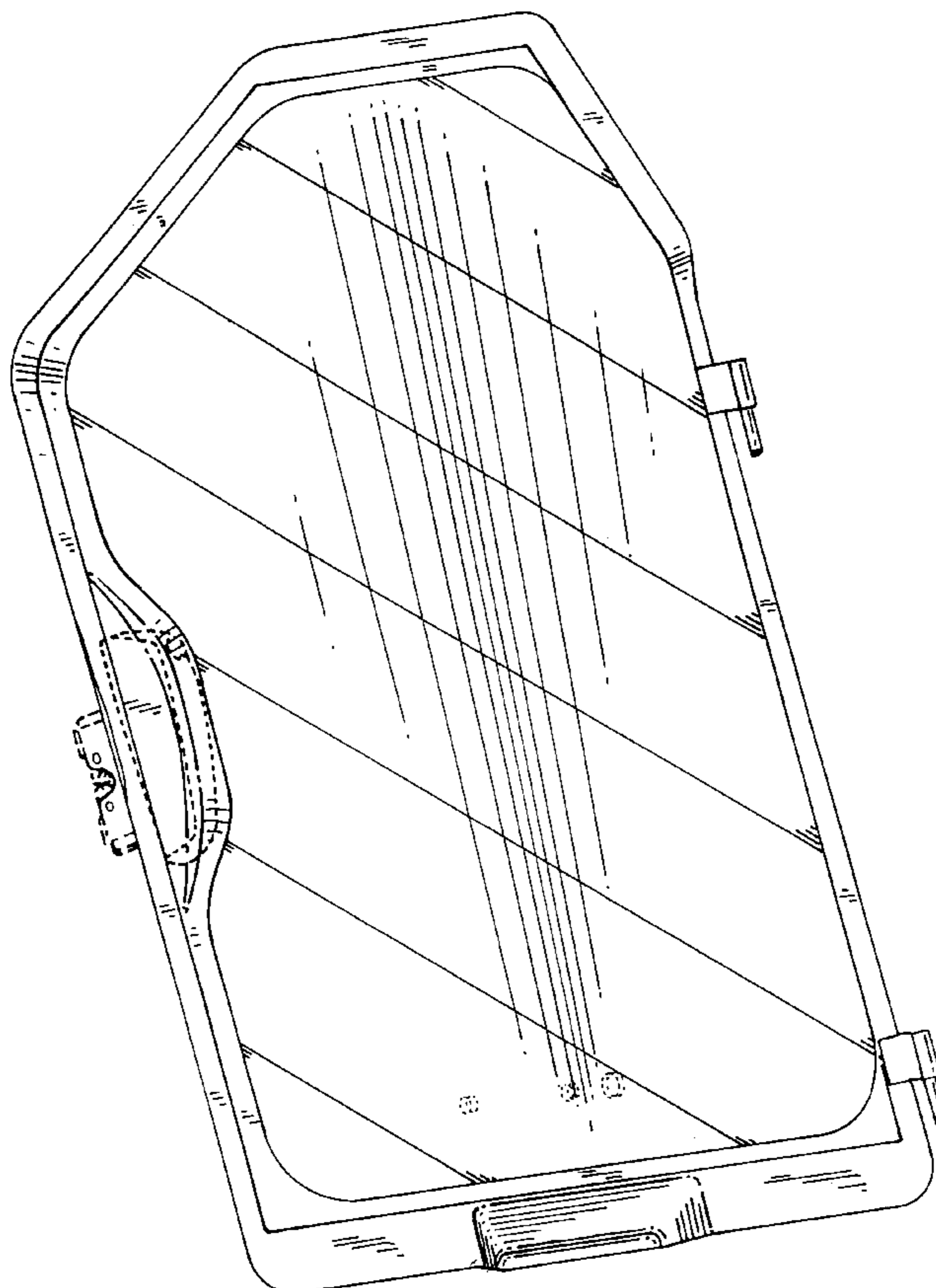
U.S. PATENT DOCUMENTS

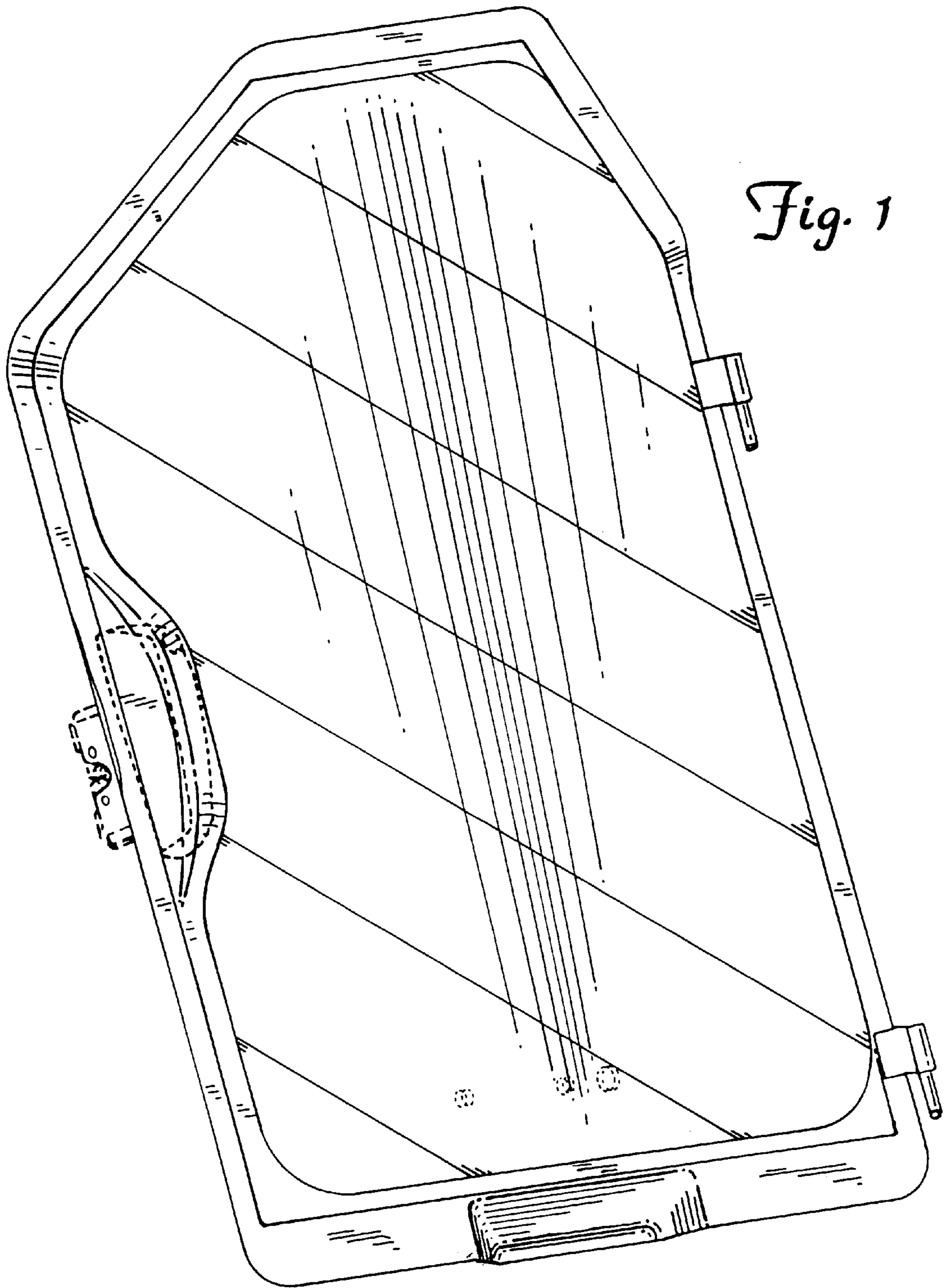
- D. 315,329 * 3/1991 Testen et al. D12/196
- D. 394,026 * 5/1998 Hellbake et al. D12/96
- D. 403,620 * 1/1999 Abalos et al. D12/96
- D. 416,221 * 11/1999 Sutton et al. D12/196

OTHER PUBLICATIONS

P. 94 of the Bobcat Parts and Accessories Catalog published Dec., 1996.

1 Claim, 6 Drawing Sheets





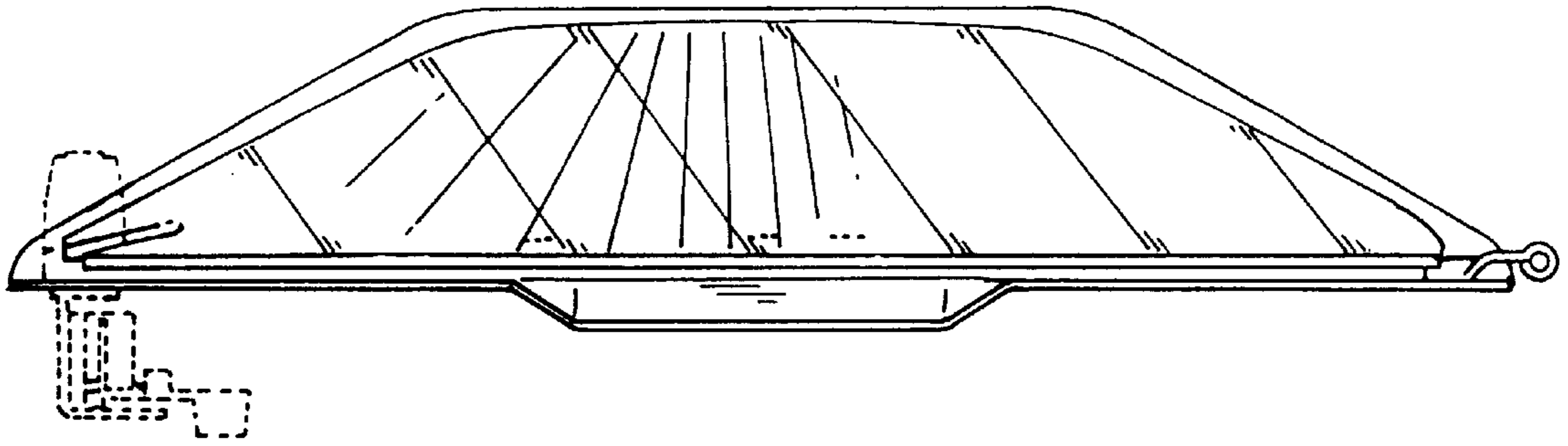


Fig 7

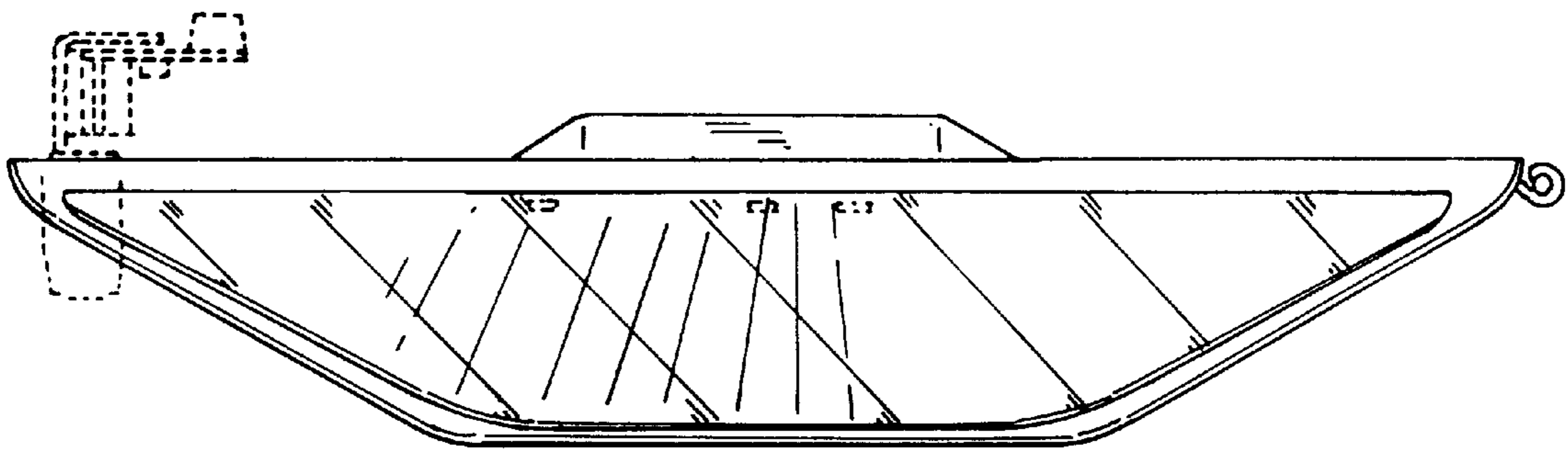


Fig. 2

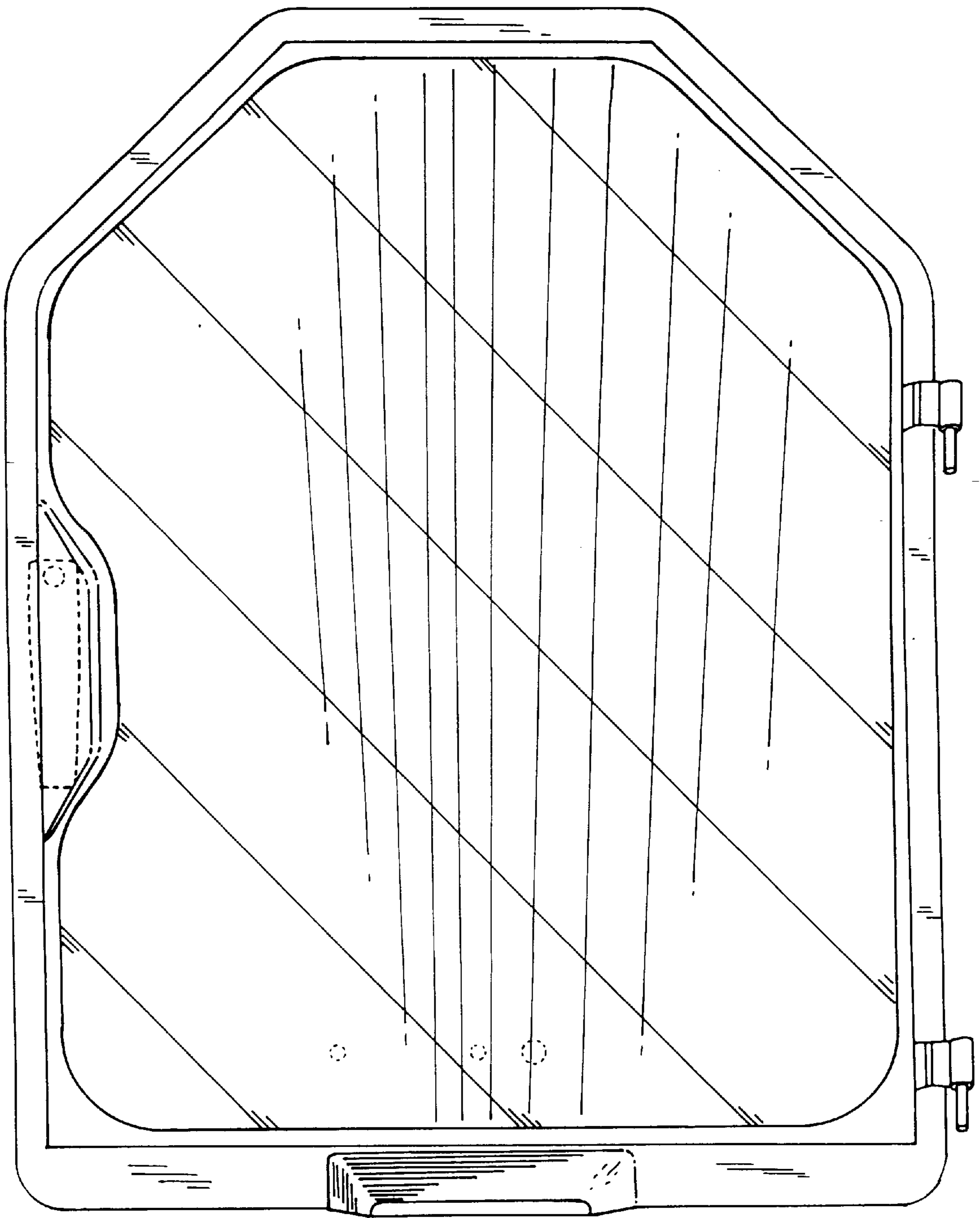


Fig. 3

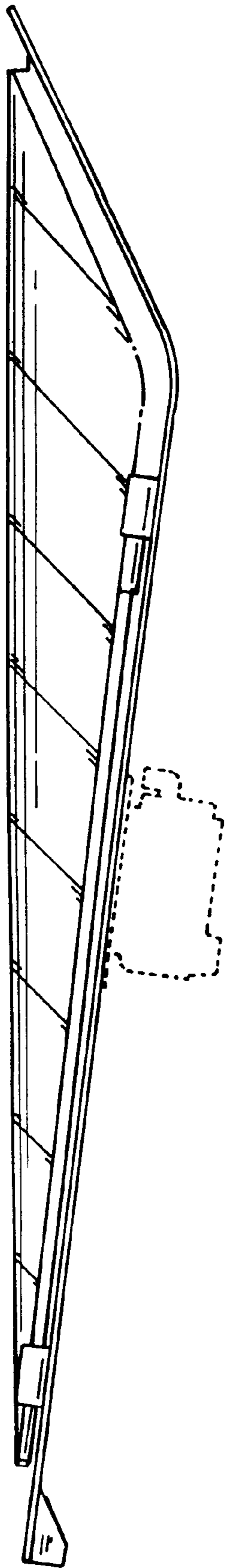


Fig. 4

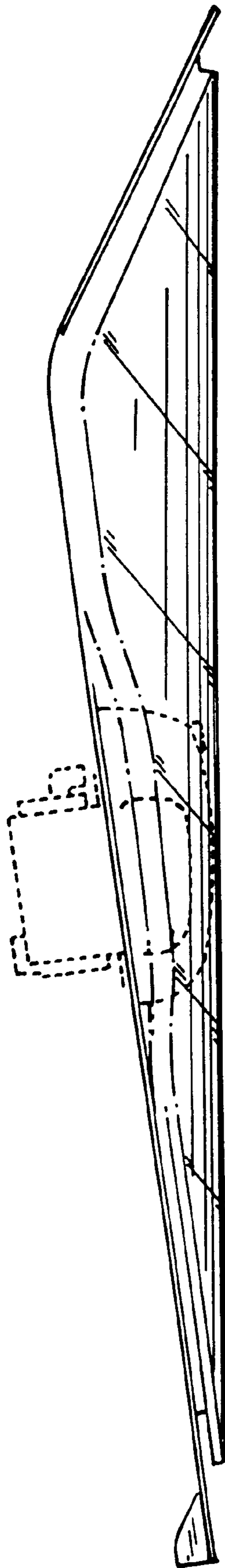


Fig. 5

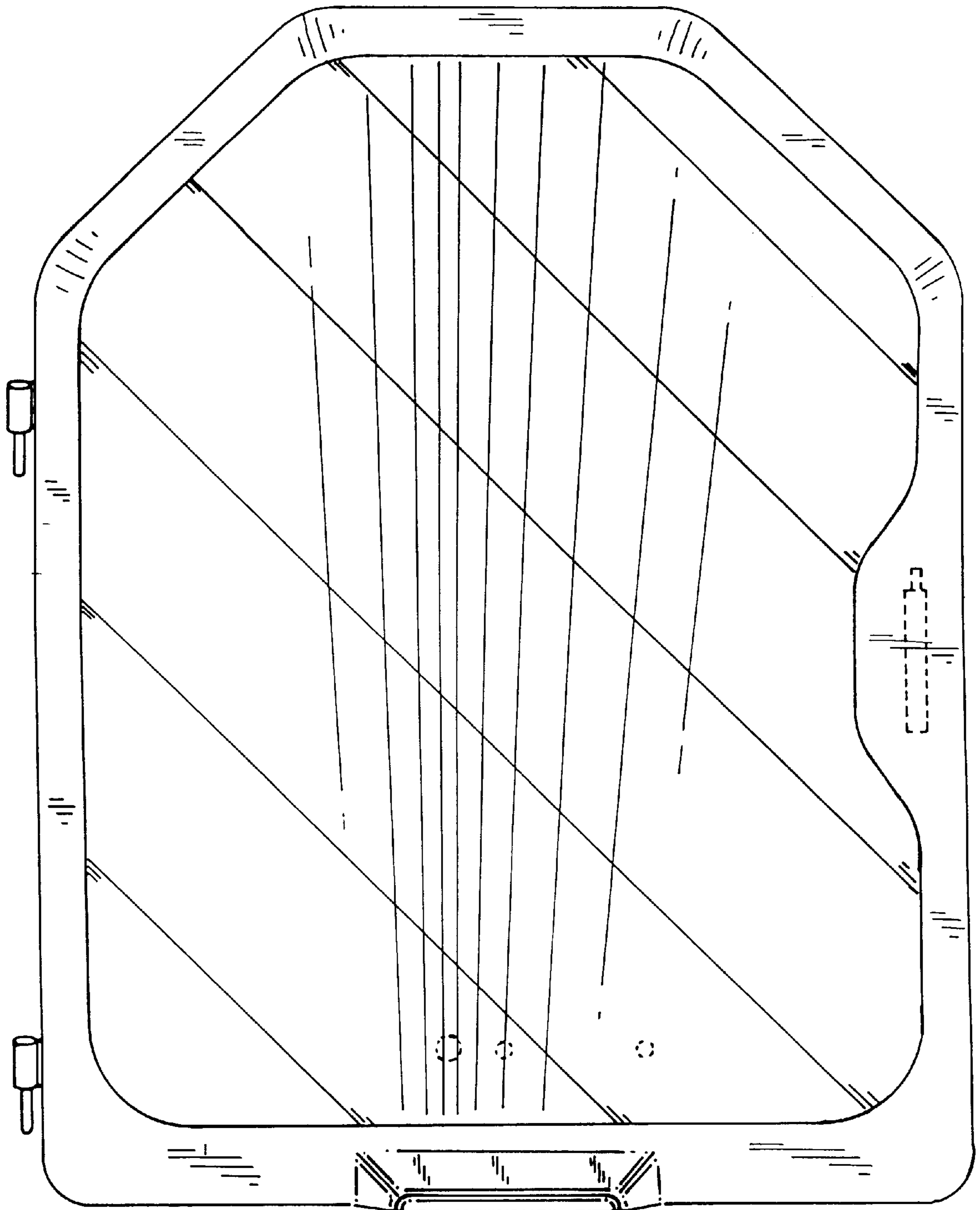


Fig. 6