



US00D437273S

(12) **United States Design Patent**
Chen

(10) **Patent No.:** **US D437,273 S**

(45) **Date of Patent:** **** Feb. 6, 2001**

(54) **VEHICLE STEERING WHEEL TABLE**

(76) Inventor: **Zhong Yu Chen**, 2018 Evans La., Appt.
No. 4, San Jose, CA (US) 95125

(**) Term: **14 Years**

(21) Appl. No.: **29/122,895**

(22) Filed: **May 5, 2000**

(51) **LOC (7) Cl.** **12-16**

(52) **U.S. Cl.** **D12/177**

(58) **Field of Search** D12/177, 175,
D12/176, 425; D6/406, 419; 74/558, 558.5;
224/276

(56) **References Cited**

U.S. PATENT DOCUMENTS

- D. 226,040 * 1/1973 Beerli D12/177
- D. 292,445 * 10/1987 Judge D12/177
- D. 374,203 * 10/1996 Martinez D12/177
- D. 394,625 * 5/1998 Holmes D12/177

- D. 401,544 * 11/1998 Consetto D12/177
- D. 409,961 * 5/1999 Demont D12/177

* cited by examiner

Primary Examiner—Melody N. Brown

(57) **CLAIM**

The ornamental design for a vehicle steering wheel table, as shown.

DESCRIPTION

FIG. 1 is a perspective view of a vehicle steering wheel table showing showing my new design;
 FIG. 2 is a front view.
 FIG. 3 is a left side view in conjunction with a motional view of the left side, the brokken lines indicating the folding position of the table;
 FIG. 4 is a top plan view.
 FIG. 5 is a rear view.
 FIG. 6 is a bottom plan view; and,
 FIG. 7 is a perspective view of the table in fold-up position.

1 Claim, 4 Drawing Sheets

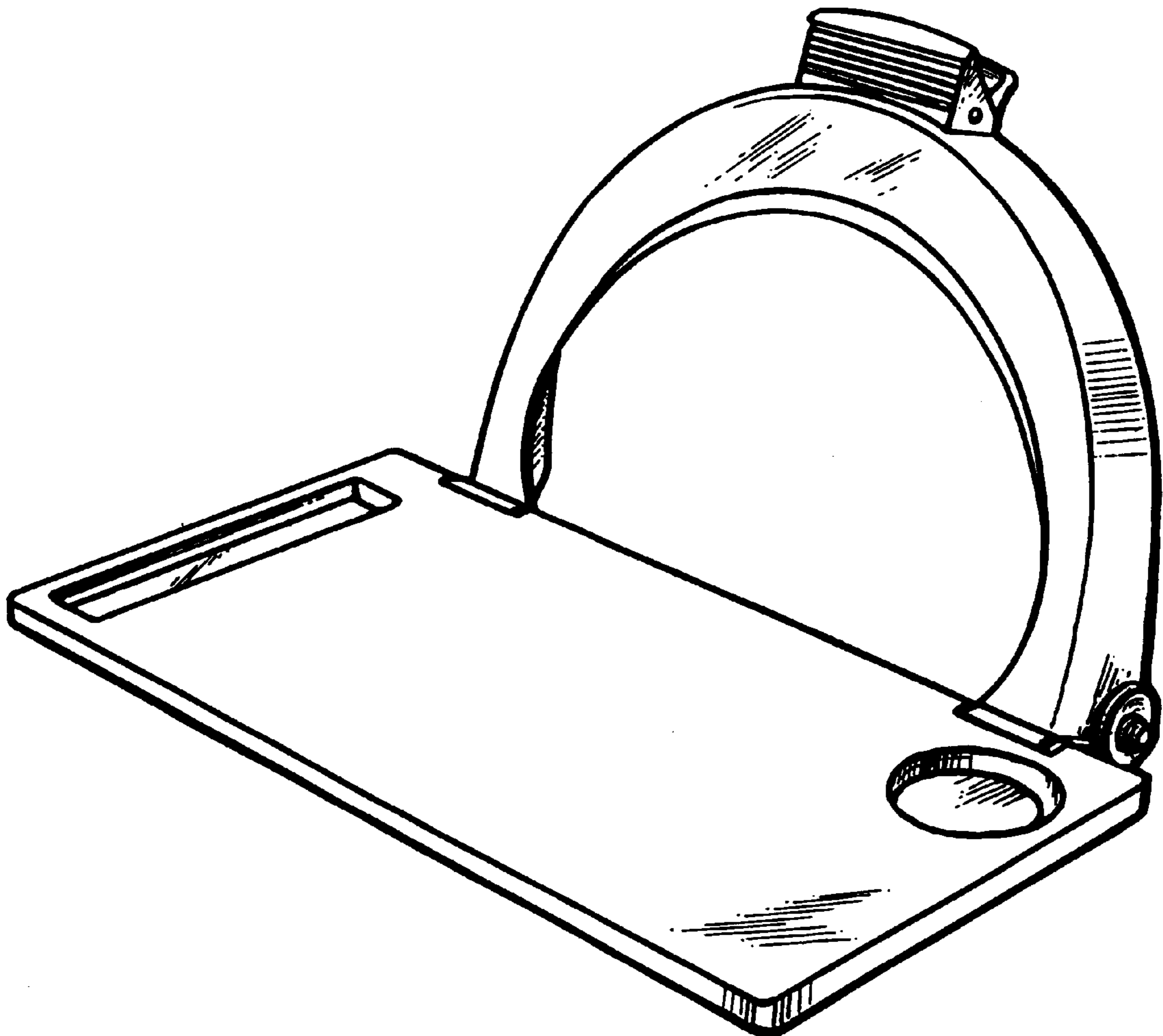


FIG 1

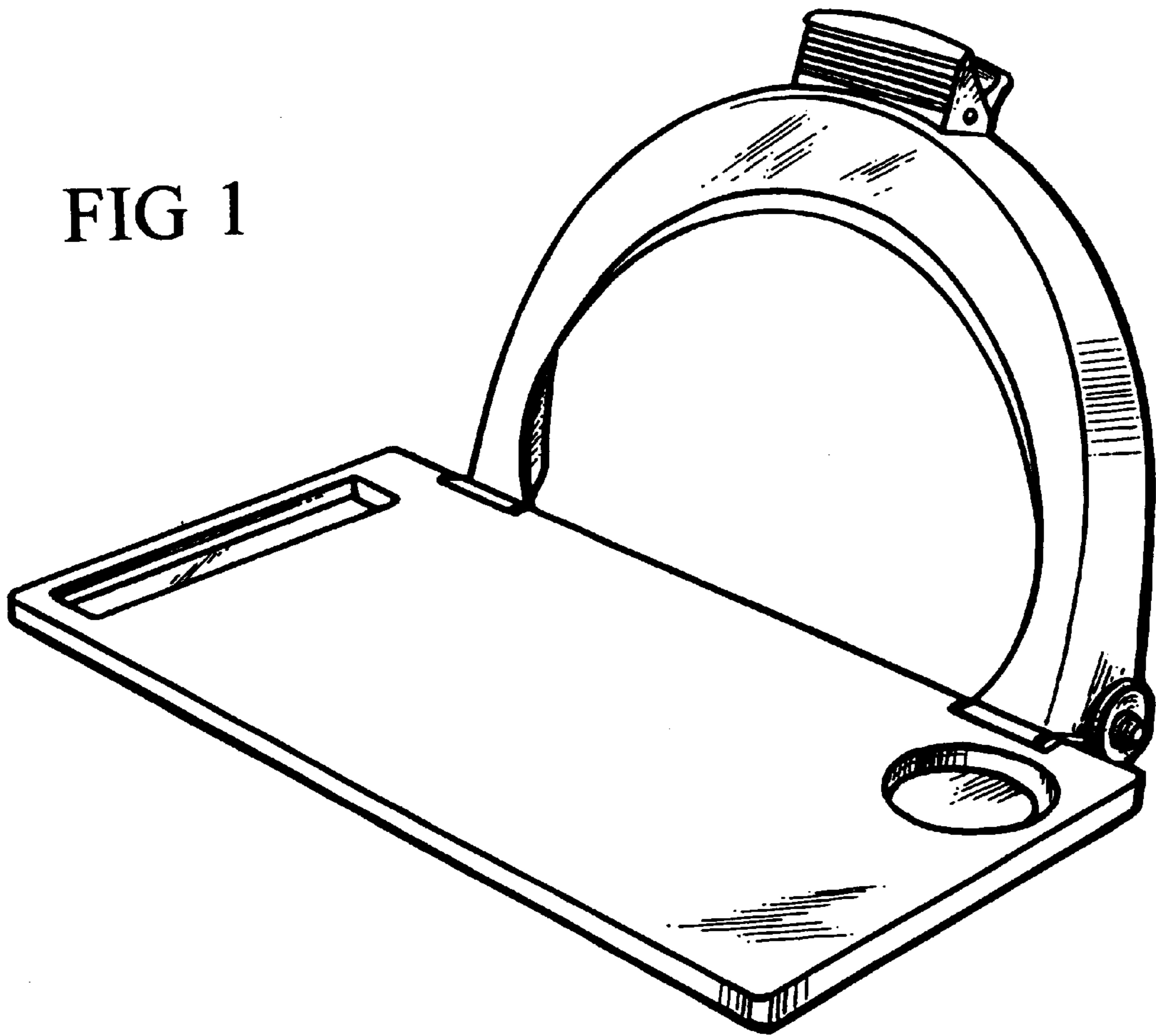


FIG 2

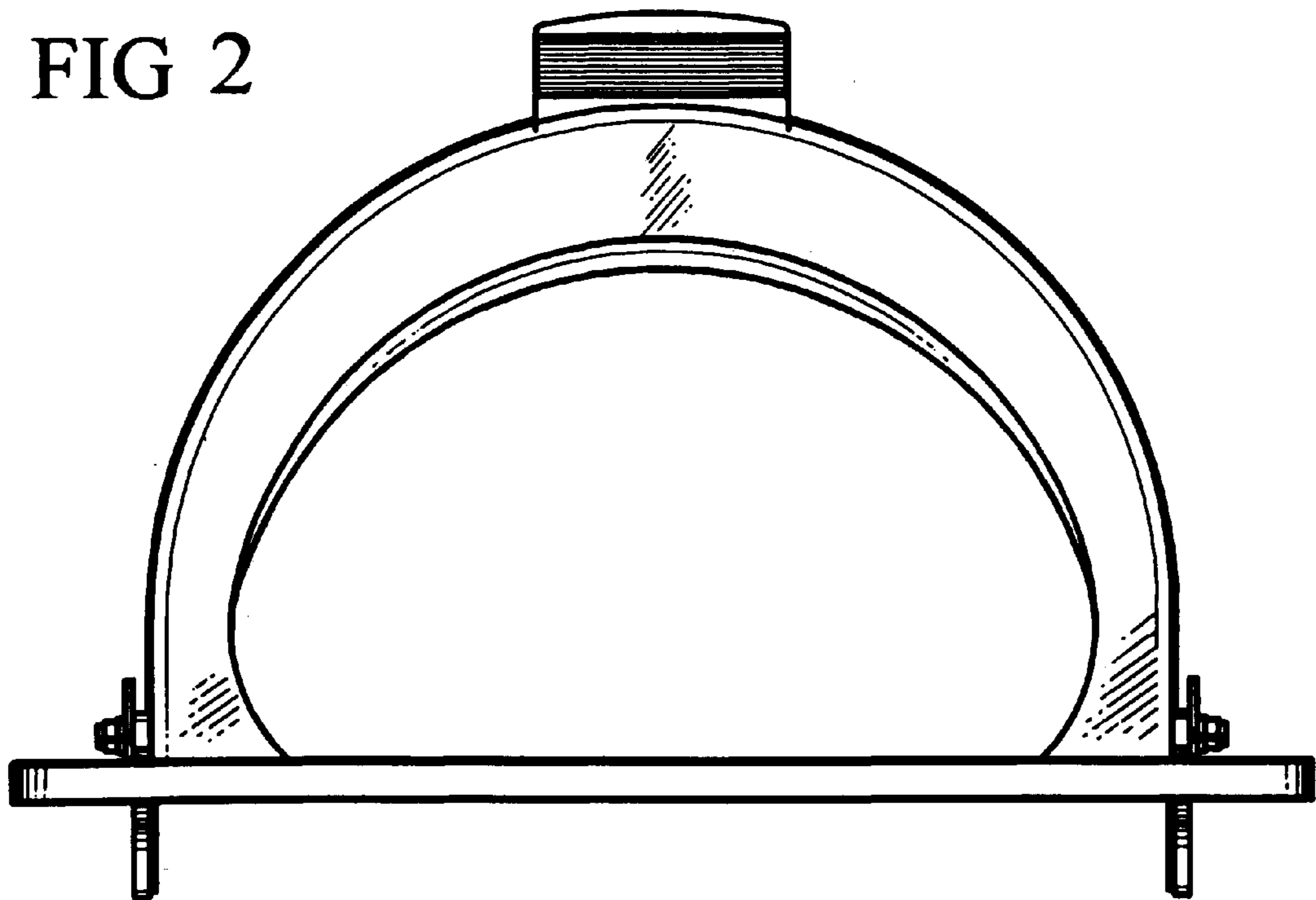


FIG 3

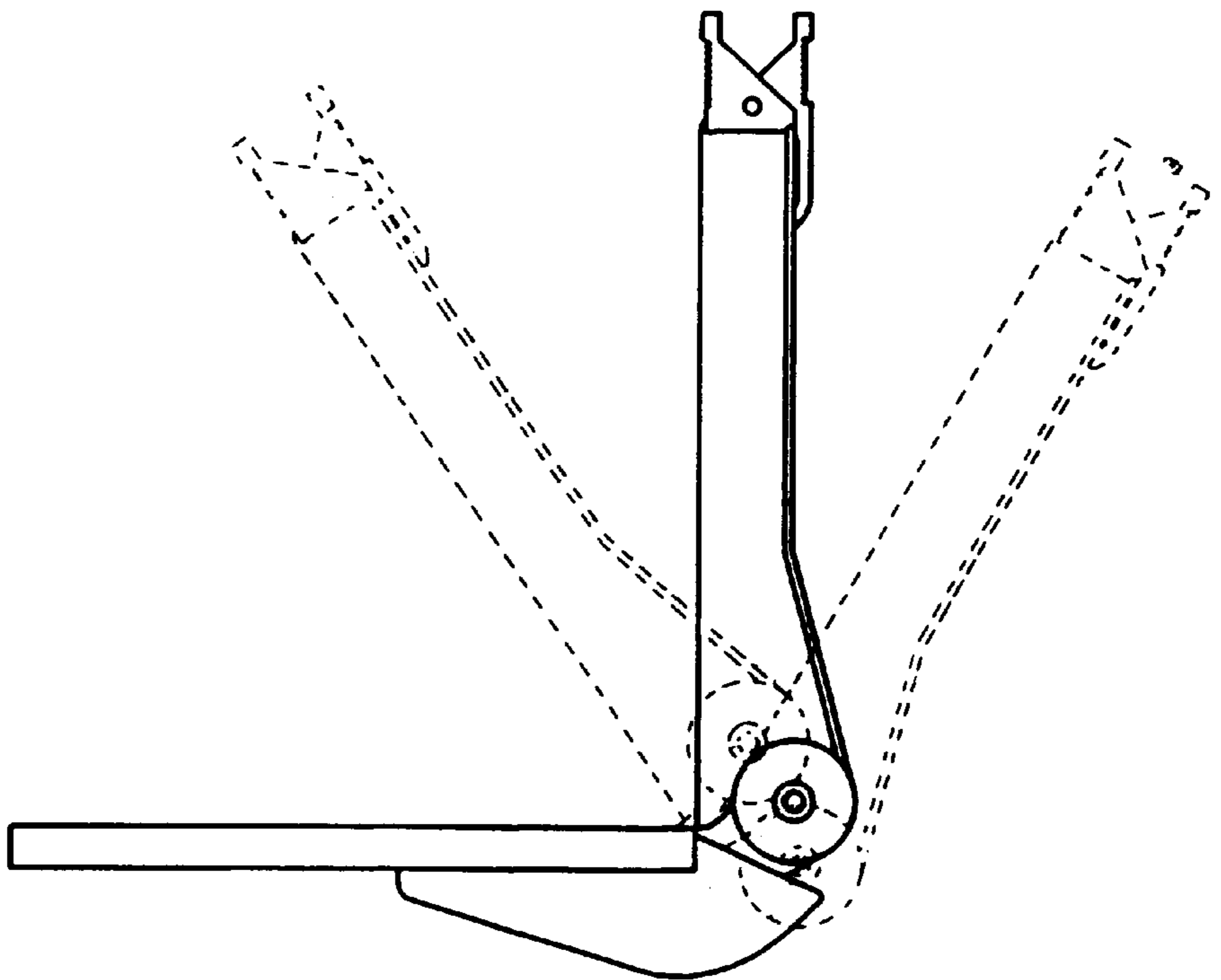
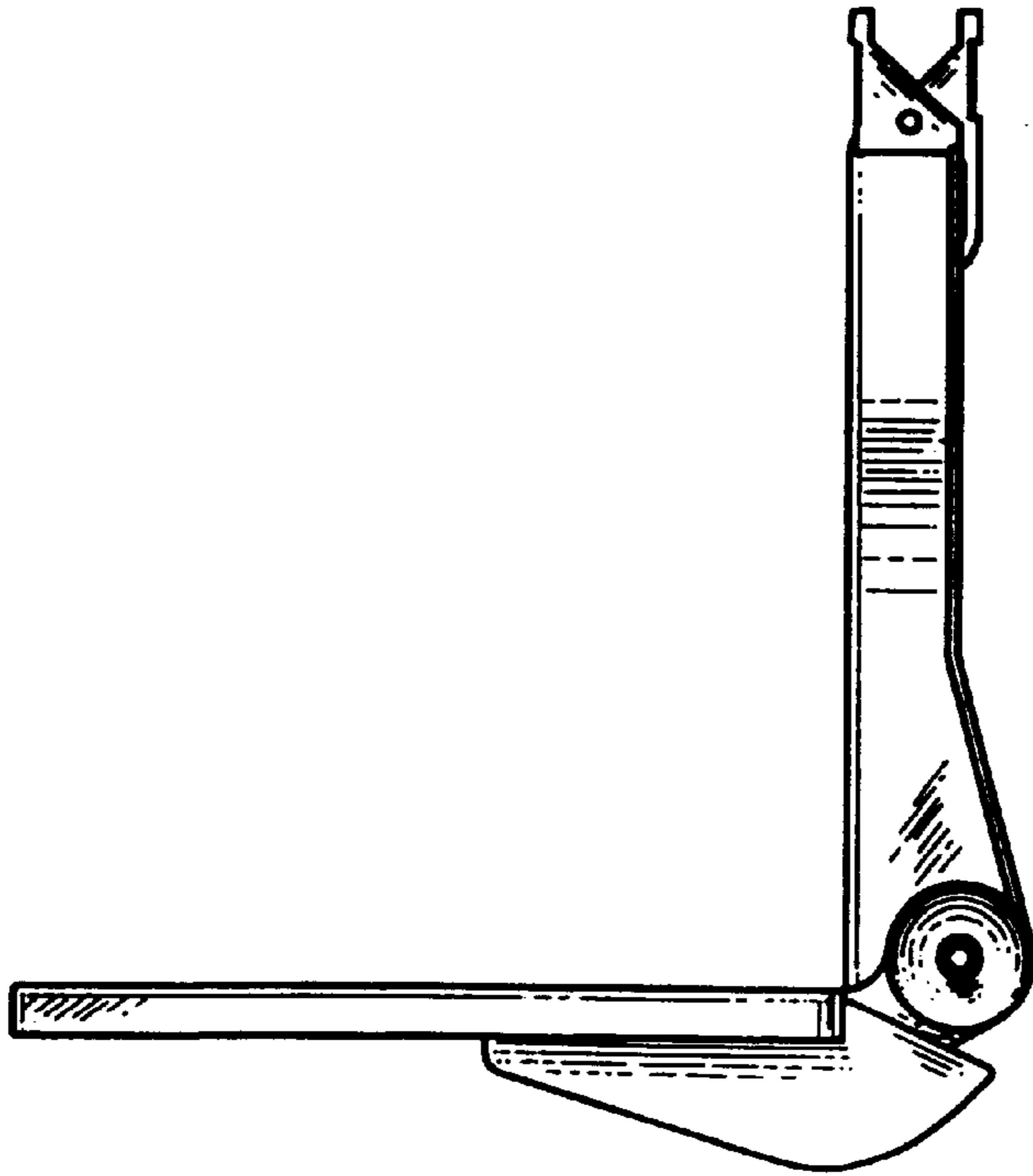


FIG 4

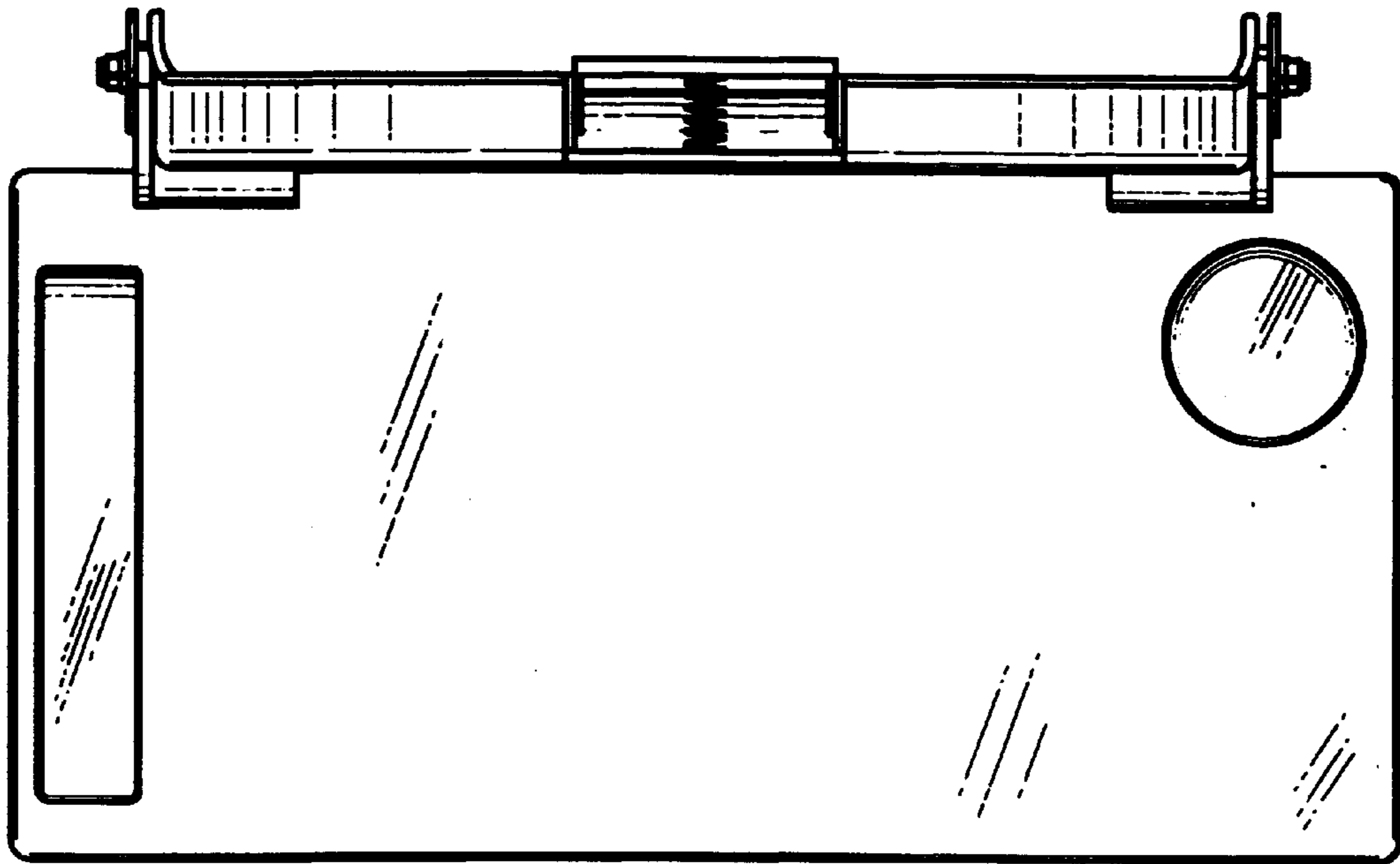


FIG 5

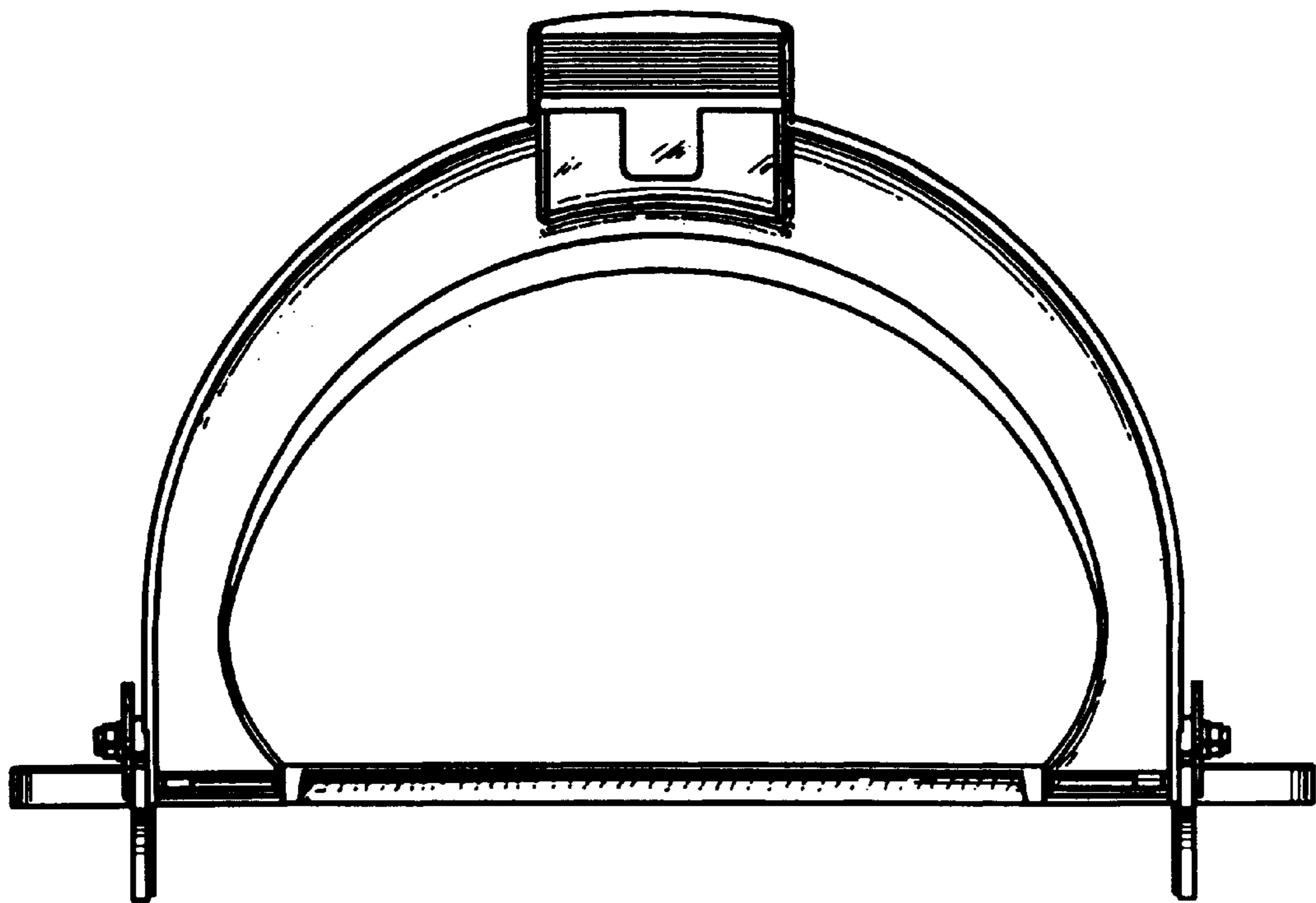


FIG 6

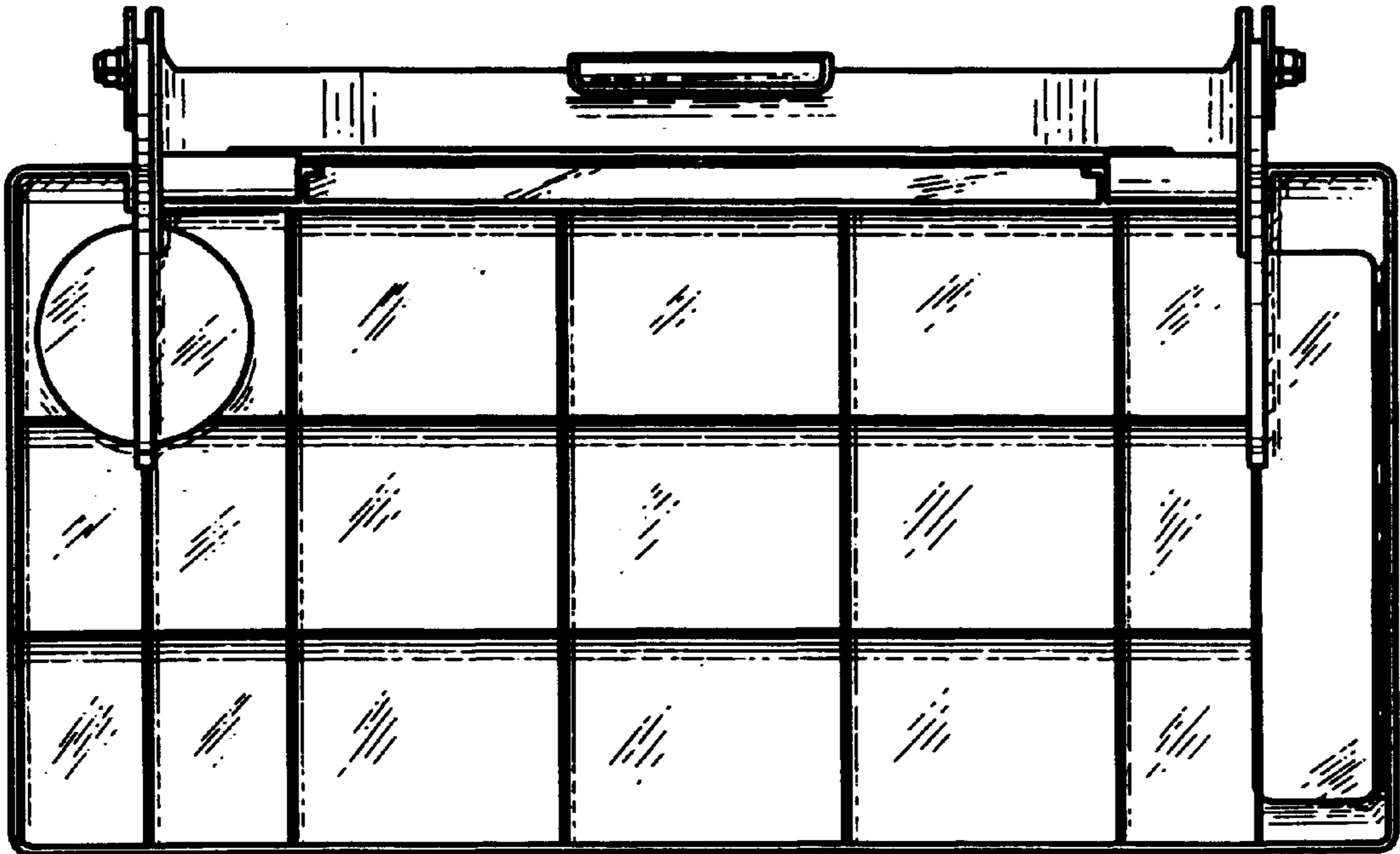


FIG 7

