



US00D437269S

(12) **United States Design Patent**
Slingluff

(10) **Patent No.:** **US D437,269 S**

(45) **Date of Patent:** **** Feb. 6, 2001**

(54) **TIRE TREAD**

(75) **Inventor:** **Mark David Slingluff**, North Canton, OH (US)

(73) **Assignee:** **The Goodyear Tire & Rubber Company**, Akron, OH (US)

(**) **Term:** **14 Years**

(21) **Appl. No.:** **29/117,230**

(22) **Filed:** **Jan. 19, 2000**

(51) **LOC (7) Cl.** **12-15**

(52) **U.S. Cl.** **D12/147**

(58) **Field of Search** D12/134-152;
152/209.1, 209.8, 209.9, 209.11, 209.12,
209.13, 209.28, 900, 901, 902, 903

(56) **References Cited**

U.S. PATENT DOCUMENTS

D. 283,499	4/1986	Hammond	D12/146
D. 307,120	4/1990	Ingley et al.	D12/146
D. 320,772	10/1991	Hasegawa	D12/147
D. 323,801	2/1992	Kajita	D12/147
D. 329,627	9/1992	Attinello et al.	D12/151
D. 332,073	12/1992	Hasegawa	D12/147
D. 334,364	3/1993	Maitre et al.	D12/147
D. 344,054	2/1994	Attinello et al.	D12/151
D. 350,507	9/1994	Helluin	D12/141
D. 362,220	9/1995	Van Emburg	D12/147
D. 379,338	5/1997	Guspodin et al.	D12/147
D. 383,717	9/1997	Freund et al.	D12/147
D. 388,039	* 12/1997	Ratliff, Jr.	D12/147
D. 402,940	12/1998	McKisson et al.	D12/147

D. 405,035	* 2/1999	Graas	D12/147
D. 409,123	5/1999	Heinen et al.	D12/151
D. 409,954	5/1999	Murata	D12/141
5,176,766	1/1993	Landers et al.	152/209 R
5,328,052	7/1994	Glover et al.	152/209 R
5,353,854	10/1994	Landers et al.	152/209 R
5,358,022	10/1994	Glover et al.	152/209 R
5,386,862	2/1995	Glover et al.	152/209 R

OTHER PUBLICATIONS

Sears Viper 'H' and Sears Pirelli HP Tires, 1998 Tread Design Guide, p. 64. 3/5 & 4/5, Jan. 1998.*

* cited by examiner

Primary Examiner—Robert M. Spear

(74) *Attorney, Agent, or Firm*—T P Lewandowski

(57) **CLAIM**

The ornamental Design for a tire tread, as shown and described.

DESCRIPTION

FIG. 1 is a perspective view of a tire tread showing our new design, it being understood that the pattern repeats uniformly throughout the circumference of the tread;

FIG. 2 is a front elevational view thereof;

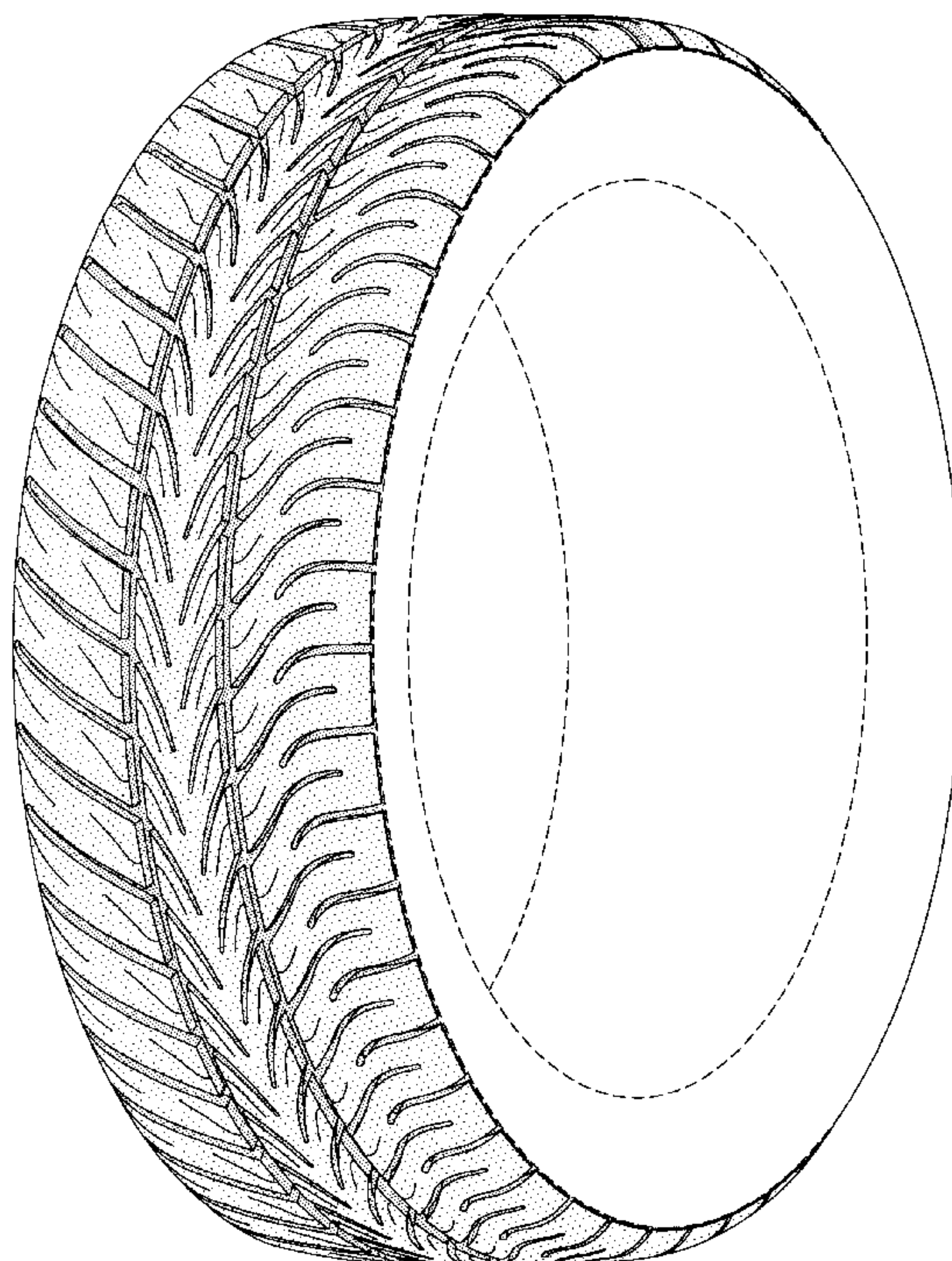
FIG. 3 is a side elevational view thereof;

FIG. 4 is the opposite side elevational view thereof; and,

FIG. 5 is an enlarged fragmentary perspective view.

In the drawings, the broken lines defining the inner bead of the sidewall and the peripheral boundary between the tire tread and the sidewall are for illustrative purposes only and form no part of the claimed design.

1 Claim, 5 Drawing Sheets



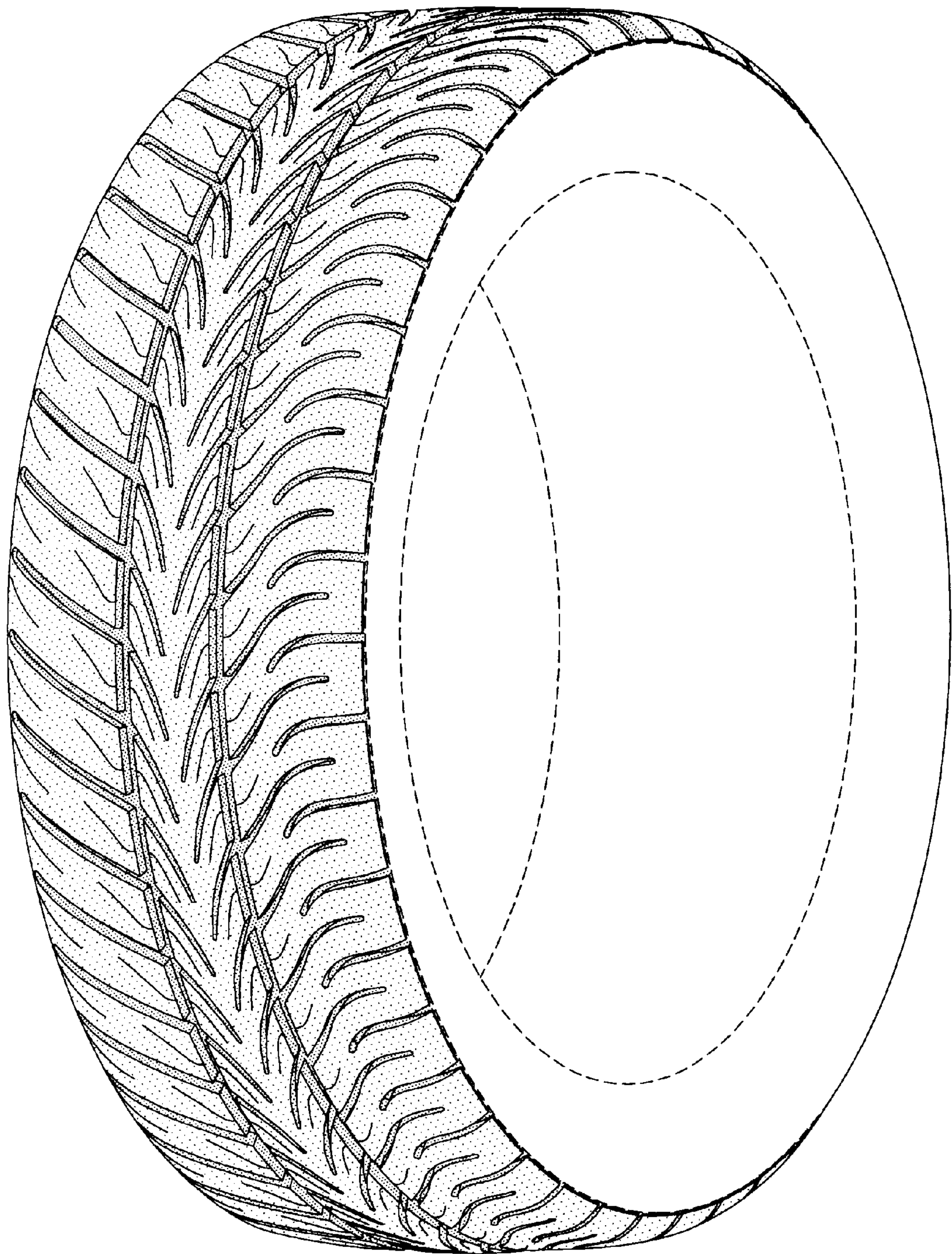


FIG-1

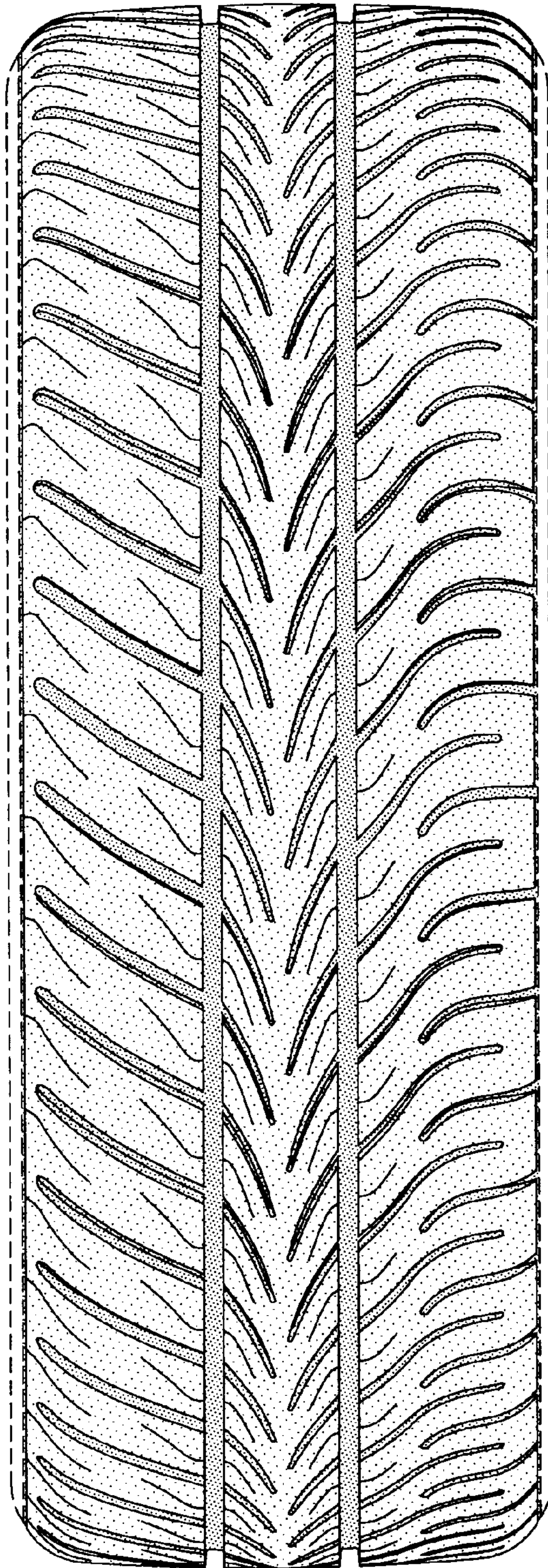


FIG-2

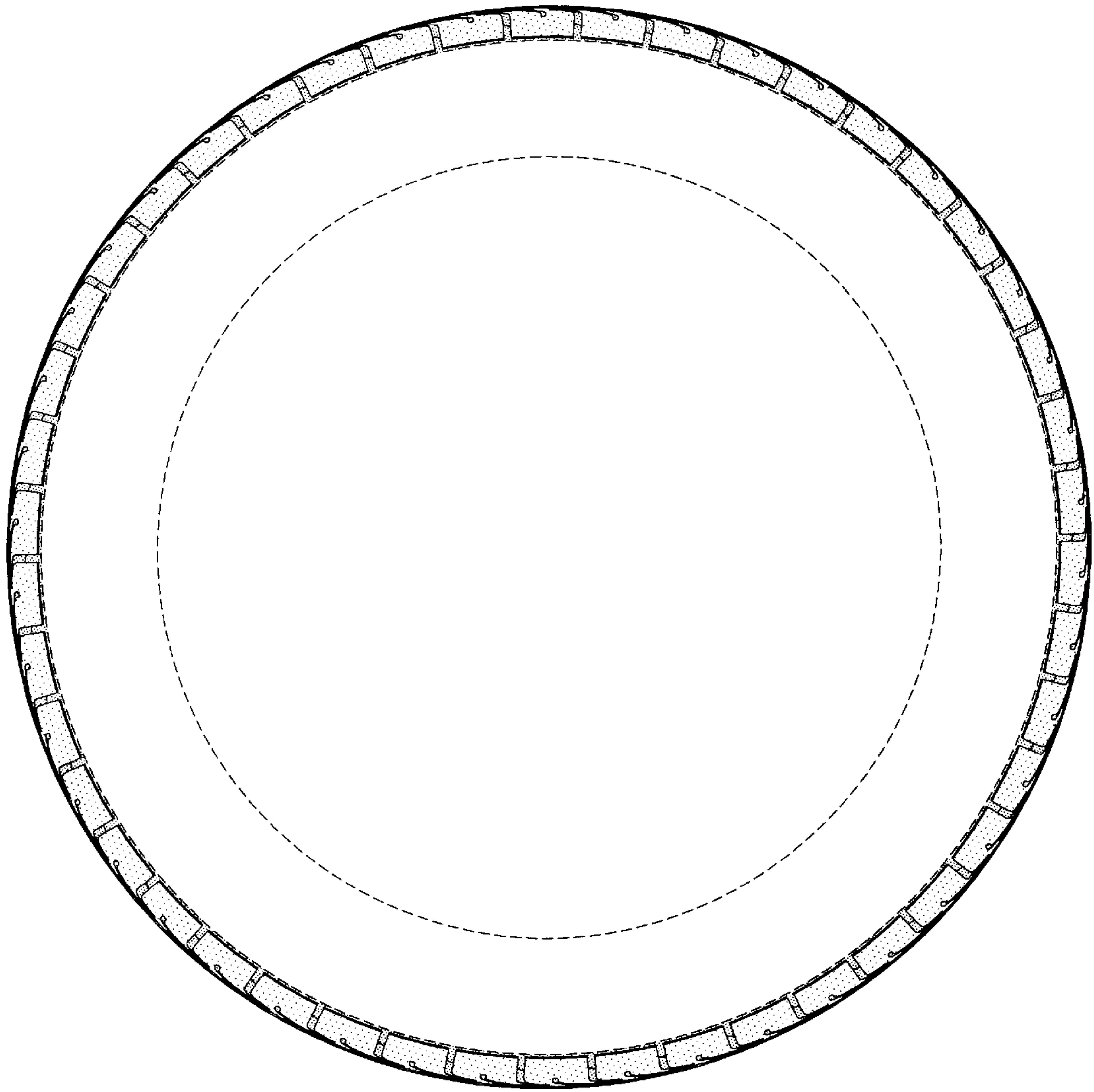


FIG-3

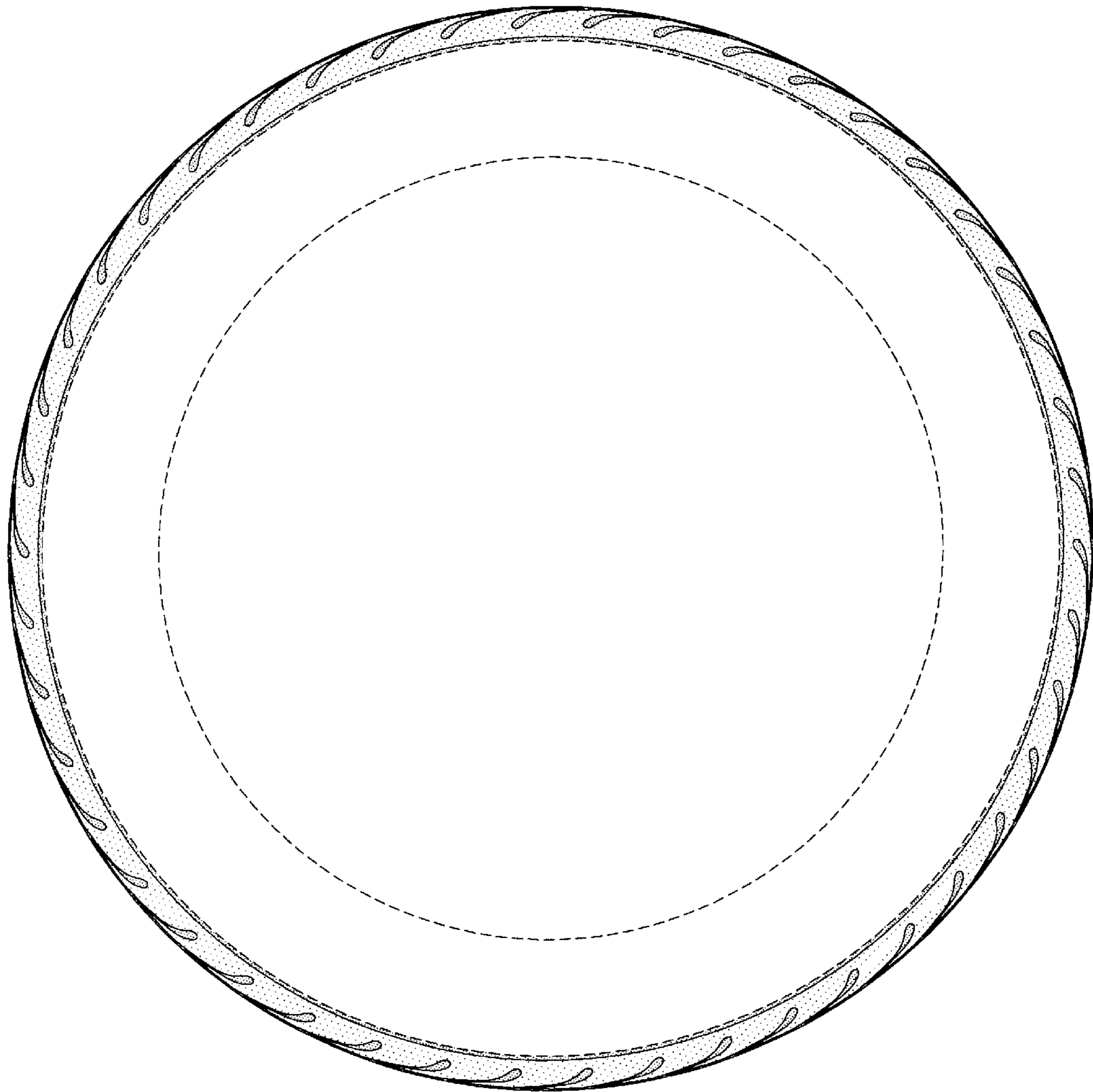


FIG-4

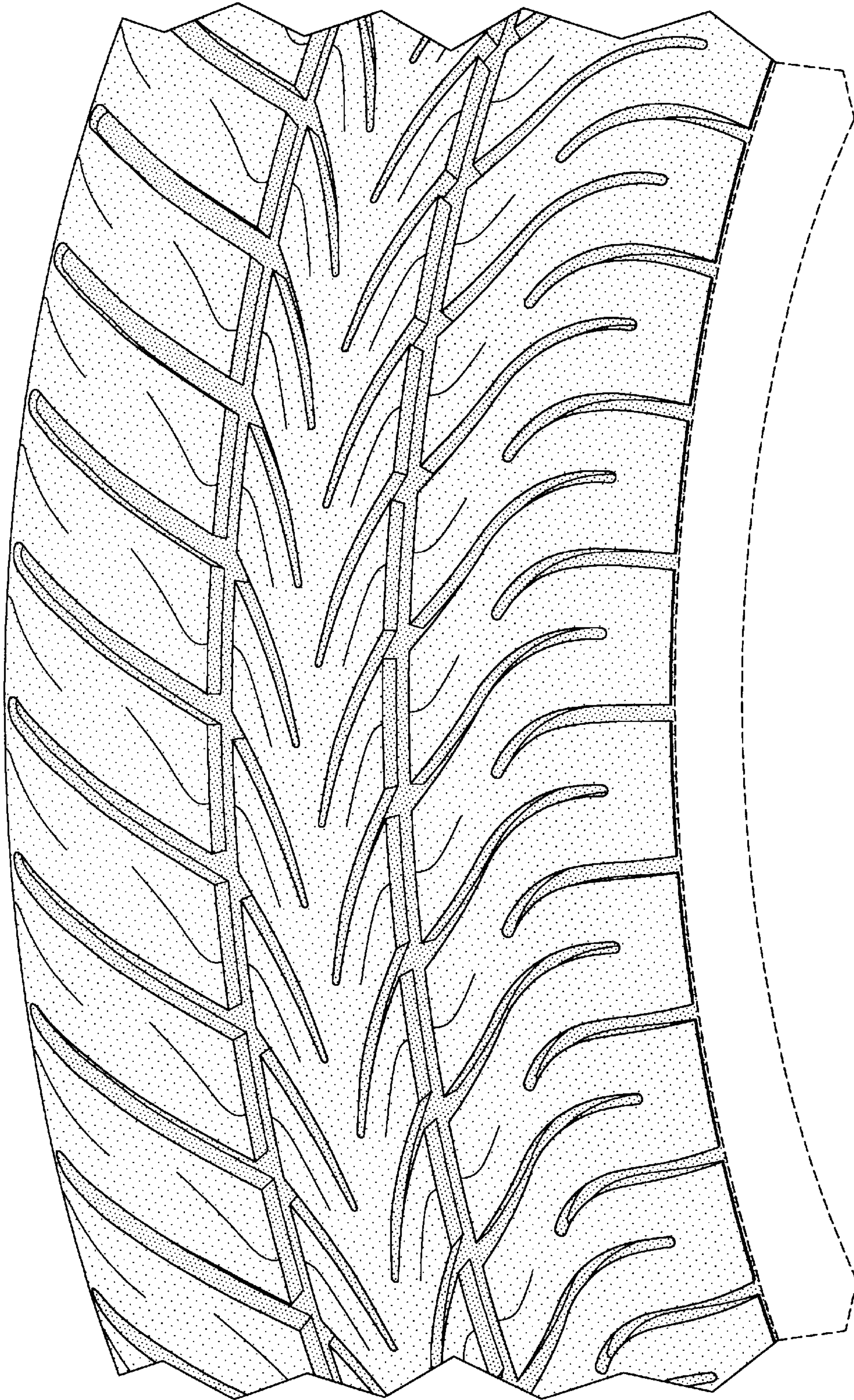


FIG-5