



US00D437263S

(12) **United States Design Patent**
Dahlberg et al.

(10) **Patent No.:** **US D437,263 S**

(45) **Date of Patent:** **** Feb. 6, 2001**

(54) **TRANSFER BELT**

(76) Inventors: **Angelika Dahlberg**, 1107 Lake Sylvan Drive S.E., Calgary, Alberta (CA), T2J 2P9; **Marian Chong**, 111 Sanderling Place N.W., Calgary, Alberta (CA), T3K 3A8

(**) Term: **14 Years**

(21) Appl. No.: **29/117,172**

(22) Filed: **Jan. 20, 2000**

(30) **Foreign Application Priority Data**

Nov. 26, 1999 (CA) 1999-2879

(51) **LOC (7) Cl.** **12-12**

(52) **U.S. Cl.** **D12/128; D34/28**

(58) **Field of Search** D34/28; D12/128, D12/129; 5/627, 424, 83.1, 87.1, 88.1, 89.1; D24/183, 184

(56) **References Cited**

U.S. PATENT DOCUMENTS

- D. 270,400 * 9/1983 Schultz D12/129 X
- D. 318,359 * 7/1991 Soyck D34/28 X
- D. 325,893 * 5/1992 Schuster D12/128
- D. 355,290 * 2/1995 Parker D34/28
- D. 371,333 * 7/1996 Fennell D12/128
- D. 397,643 * 9/1998 Nickolas D12/128
- D. 425,455 * 5/2000 Vann et al. D12/128

- 2,489,828 * 11/1949 Springer 5/83.1
- 4,124,908 * 11/1978 Burns et al. 5/82
- 4,739,526 * 4/1988 Hollick 5/83
- 5,150,487 * 9/1992 Hemphill 5/627
- 5,963,995 * 10/1999 Glass 5/81.1
- 6,079,062 * 6/2000 Mullin 5/89.1

* cited by examiner

Primary Examiner—Cynthia E Ramirez

(74) *Attorney, Agent, or Firm*—Thomas E. Malyszko

(57) **CLAIM**

The ornamental design for a transfer belt, as shown and described.

DESCRIPTION

FIG. 1 is a top perspective view of a transfer belt according to our design, showing flaps in a raised position on either side of a seat rest;

FIG. 2 is a side elevational view of the transfer belt;

FIG. 3 is a top plan view of the transfer belt;

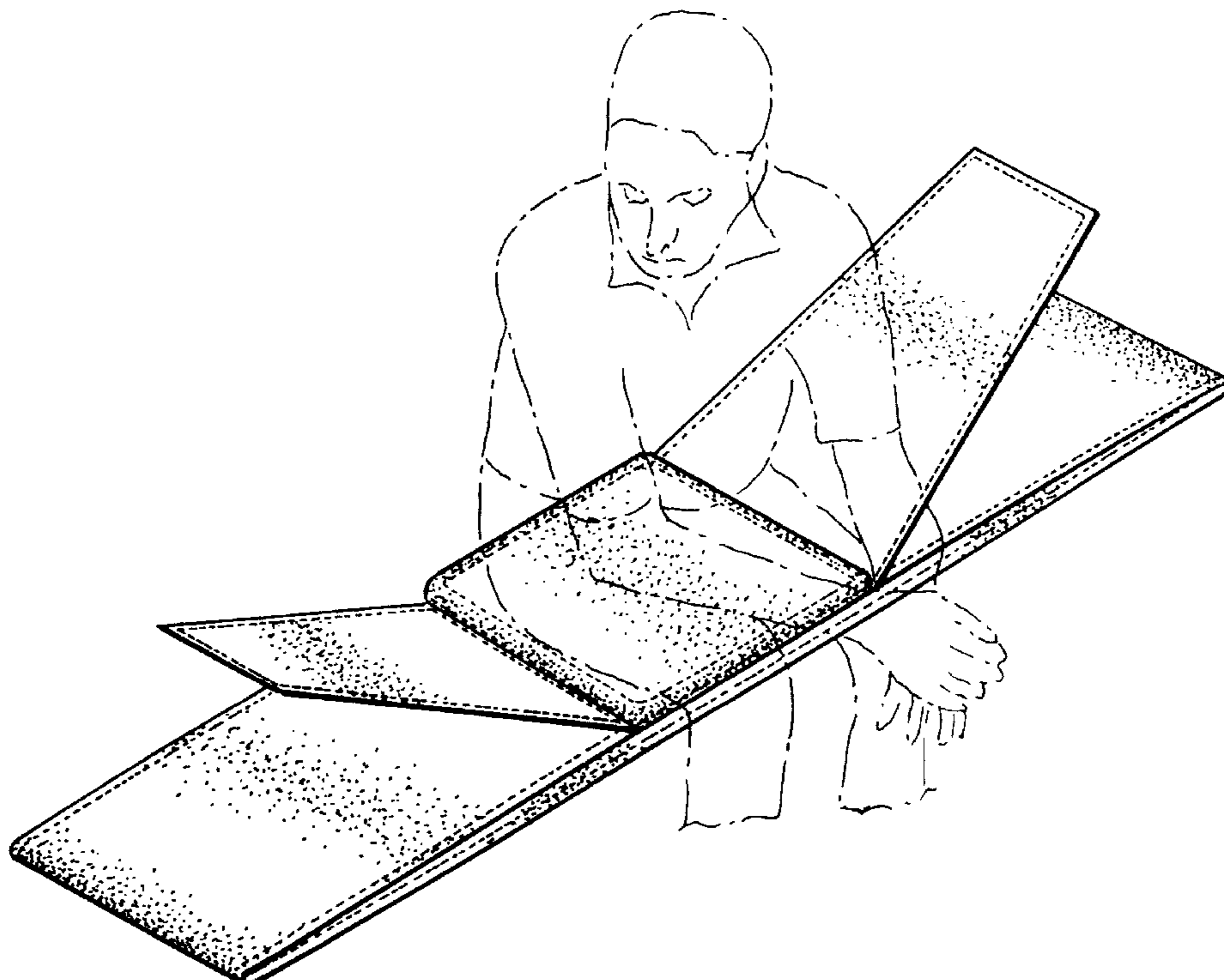
FIG. 4 is a bottom plan view of the transfer belt

FIG. 5 is an end elevational view taken from either the right or left side of FIG. 3; and,

FIG. 6 is a view similar to FIG. 1, showing a user in ghost outline seated on the transfer belt.

The broken line showing of a person in FIG. 6 is for illustrative purposes only and forms no part of the claimed design.

1 Claim, 3 Drawing Sheets



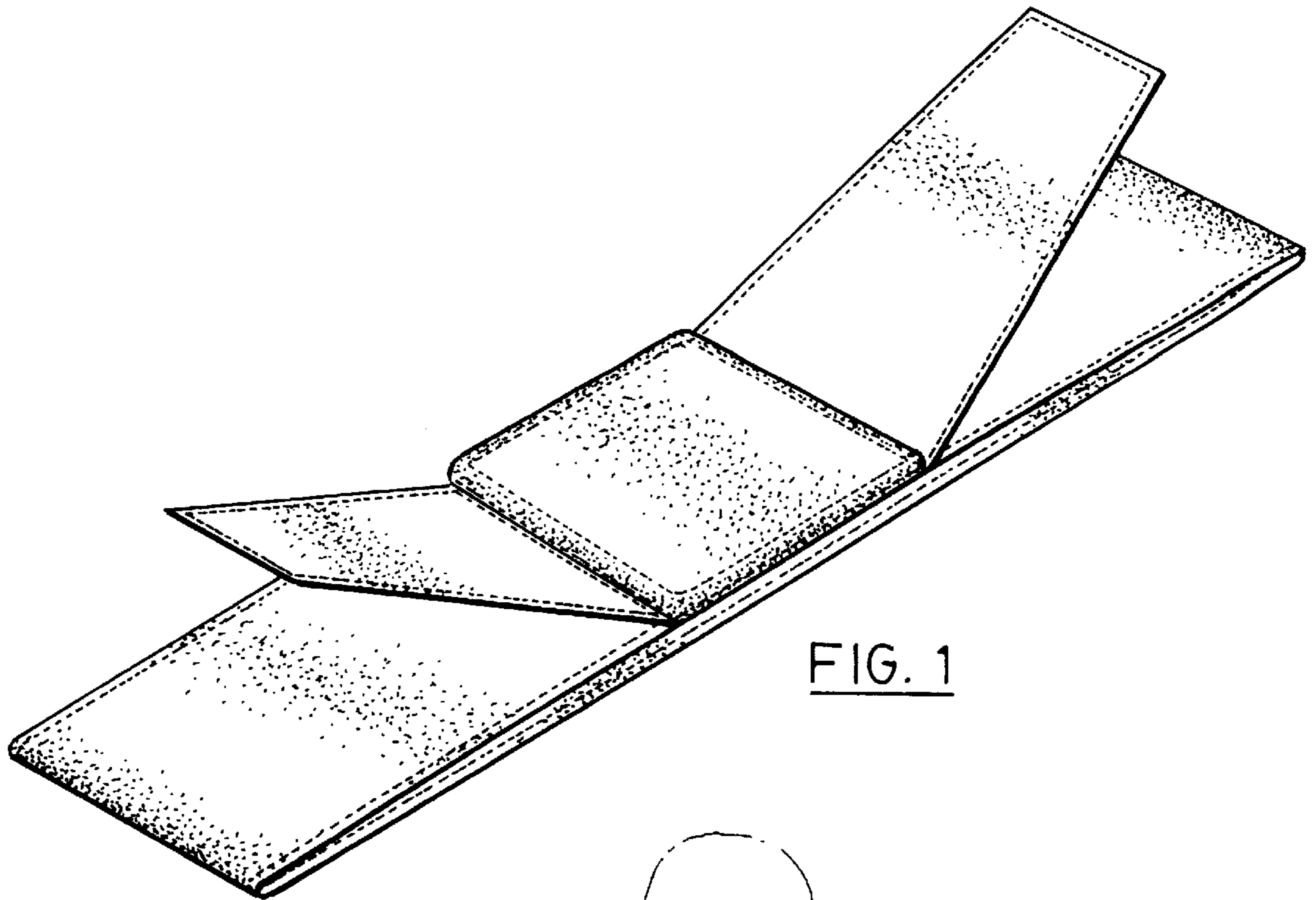


FIG. 1

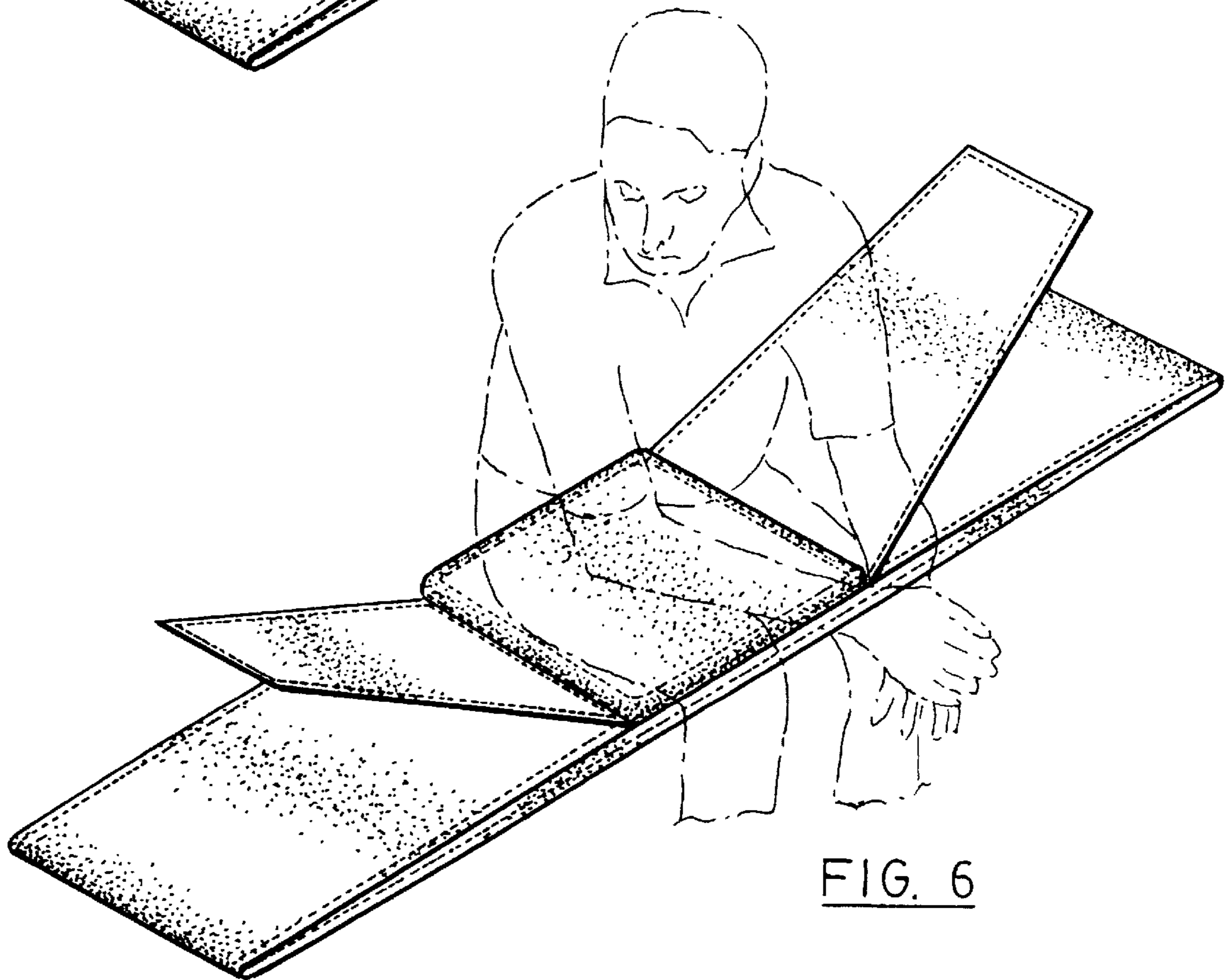


FIG. 6

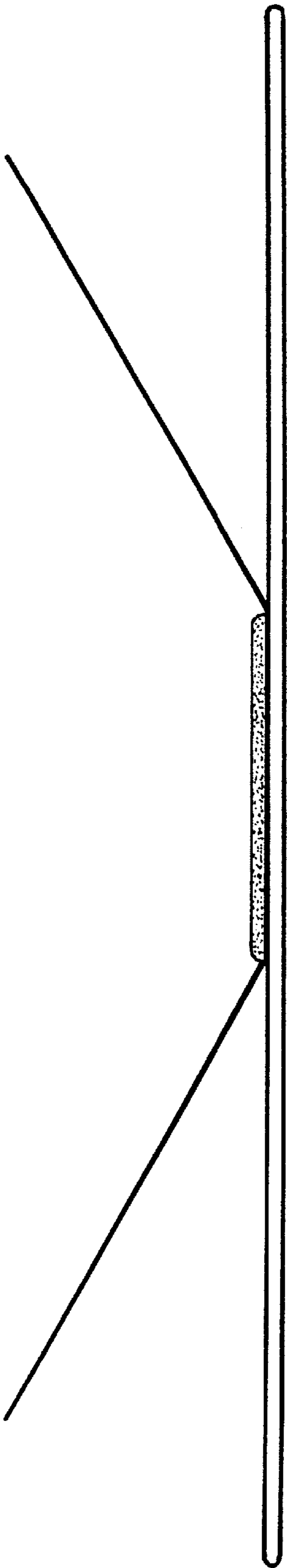


FIG. 2

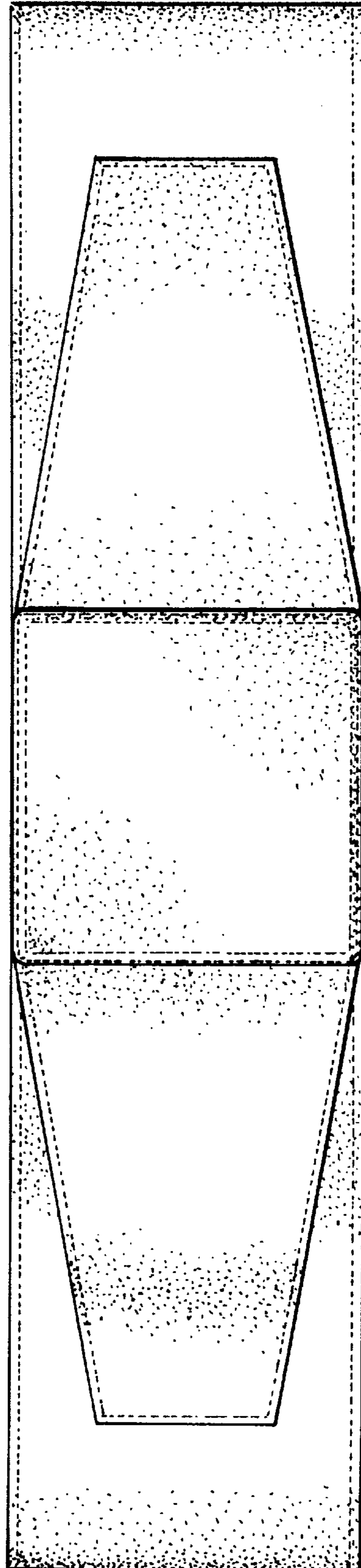


FIG. 3

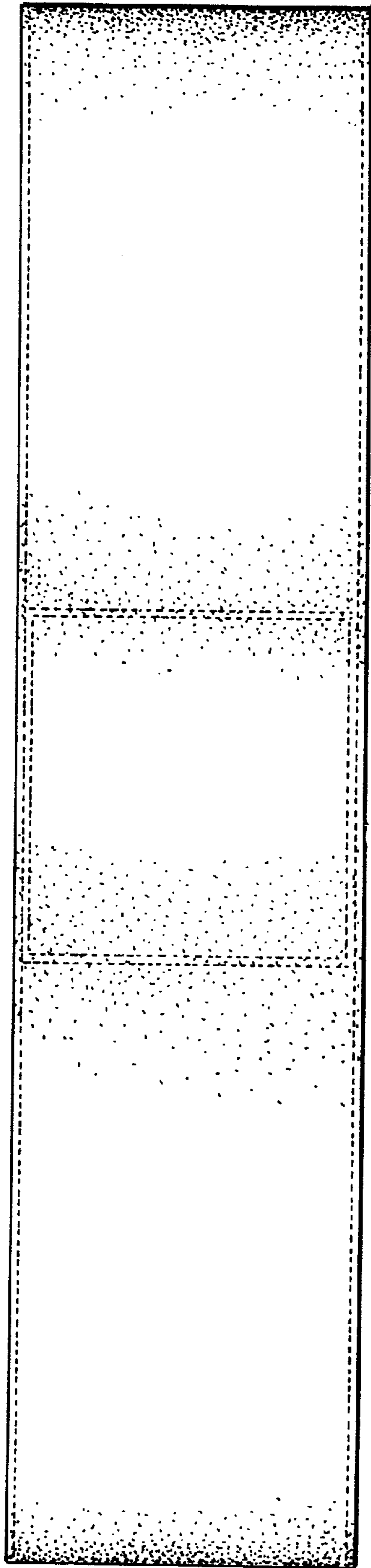


FIG. 4

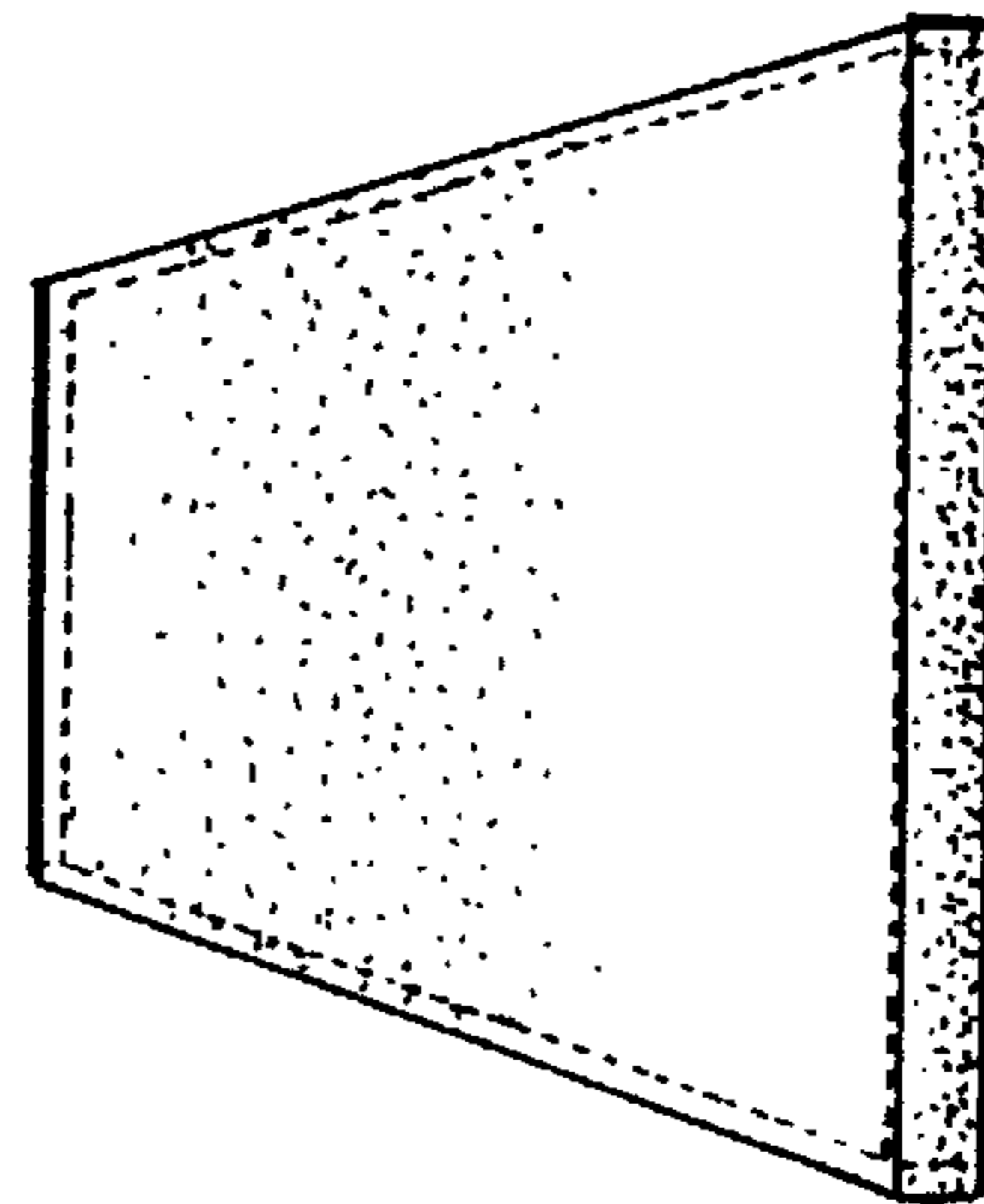


FIG. 5