



US00D437262S

(12) **United States Design Patent**
Robb et al.

(10) **Patent No.:** **US D437,262 S**

(45) **Date of Patent:** **** Feb. 6, 2001**

(54) **SURFACE CONFIGURATION OF A MOTORCYCLE AND TOY**

(75) Inventors: **David Irwin Robb**, München; **Edgar G. Heinrich**, Freising; **Johann Michael Sebastian Wilm**, München, all of (DE)

(73) Assignee: **Bayerische Motoren Werke Aktiengesellschaft**, Munich (DE)

(**) Term: **14 Years**

(21) Appl. No.: **29/117,600**

(22) Filed: **Jan. 24, 2000**

(30) **Foreign Application Priority Data**

Jul. 24, 1999 (DE) 499 07 075

(51) **LOC (7) Cl.** **12-11**

(52) **U.S. Cl.** **D12/110; D21/432; D21/538**

(58) **Field of Search** **D12/110; 180/219; D21/538, 432; 446/440**

(56) **References Cited**

U.S. PATENT DOCUMENTS

D. 380,989	*	7/1997	Abe et al.	D12/110
D. 382,835		8/1997	Abe et al.	D12/110
D. 400,605	*	11/1998	Rodriguez Ferre	D21/538
D. 406,801	*	3/1999	Robb et al.	D12/110

* cited by examiner

Primary Examiner—Alan P. Douglas

Assistant Examiner—Linda Brooks

(74) *Attorney, Agent, or Firm*—Evenson, McKeown, Edwards & Lenahan, P.L.L.C.

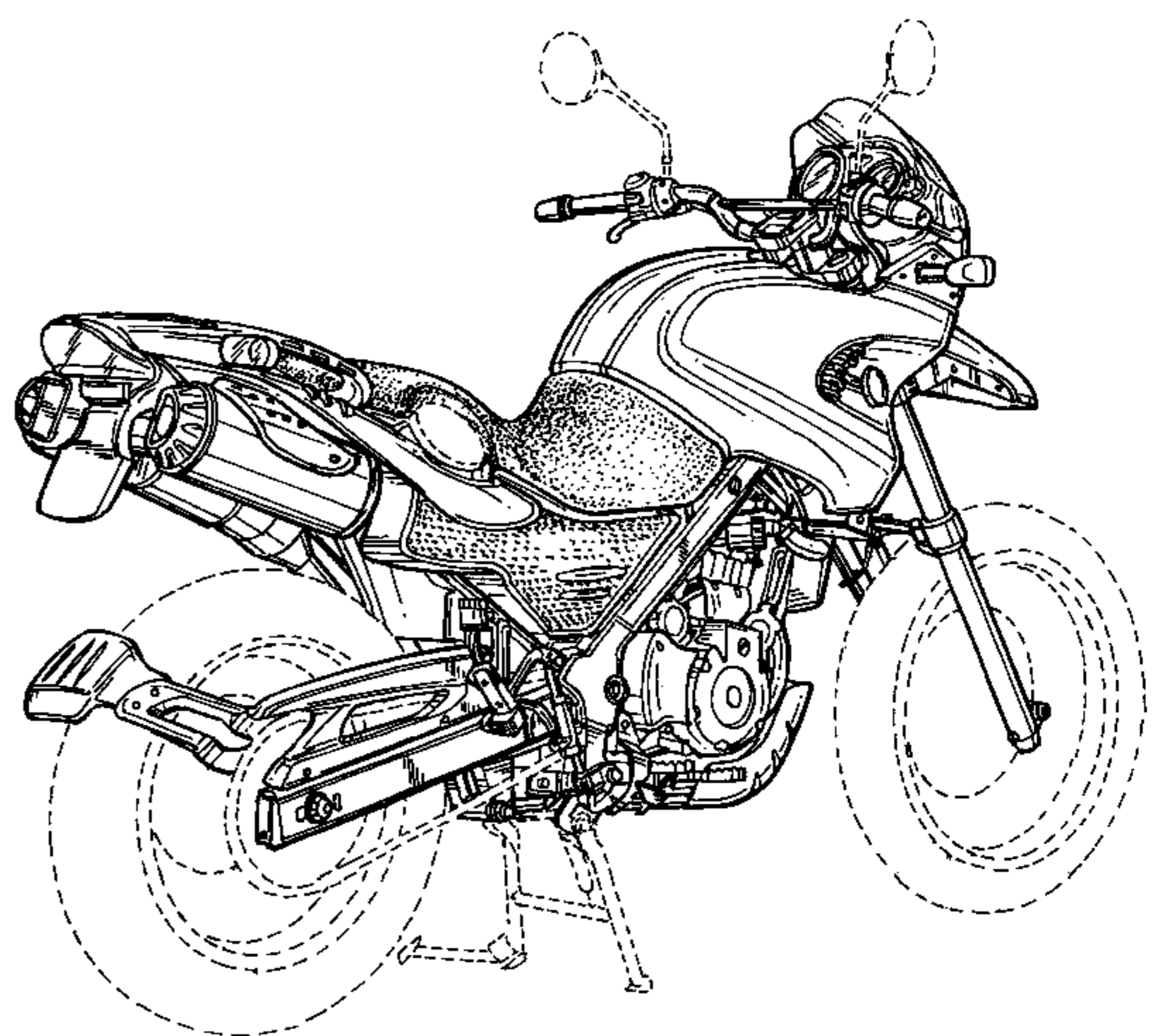
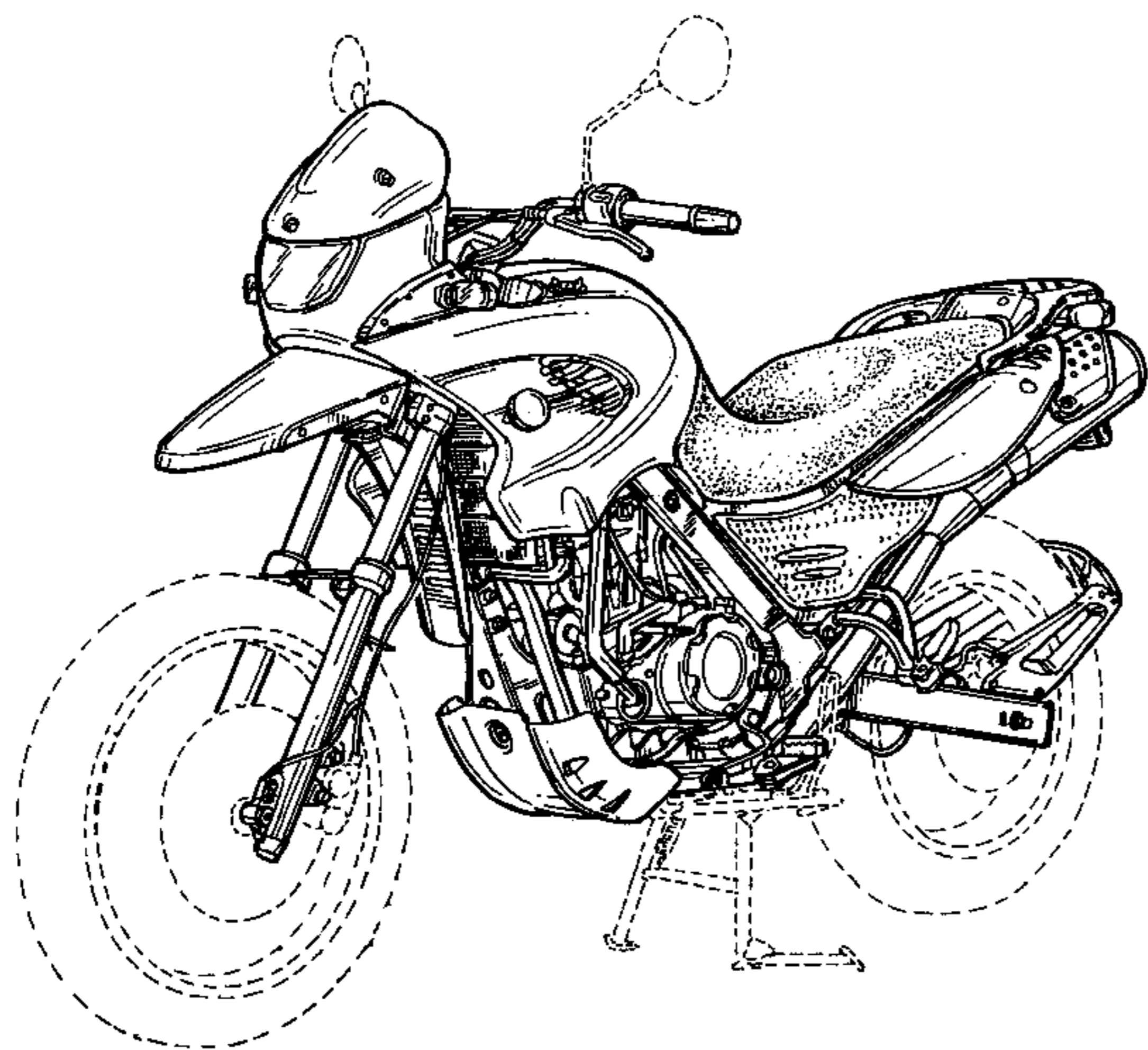
(57) **CLAIM**

The ornamental design for a surface configuration of a motorcycle and toy, as shown and described.

DESCRIPTION

FIG. 1 is a front, left perspective view of a surface configuration of a motorcycle and toy according to our novel design; FIG. 2 is a left side view of the surface configuration of a motorcycle and toy according to our novel design; FIG. 3 is a rear, left perspective view of the surface configuration of a motorcycle and toy according to our novel design; FIG. 4 is a front, right perspective view of the surface configuration of a motorcycle and toy according to our novel design; FIG. 5 is a right view of the surface configuration of a motorcycle and toy according to our novel design; FIG. 6 is a rear, right perspective view of the surface configuration of a motorcycle and toy according to our novel design; FIG. 7 is a front view of the surface configuration of a motorcycle and toy according to our novel design; FIG. 8 is a rear view of the surface configuration of a motorcycle and toy according to our novel design; and, FIG. 9 is a top view of the surface configuration of a motorcycle and toy according to our novel design. The dash lines included depict environment and are not part of the claimed design.

1 Claim, 8 Drawing Sheets



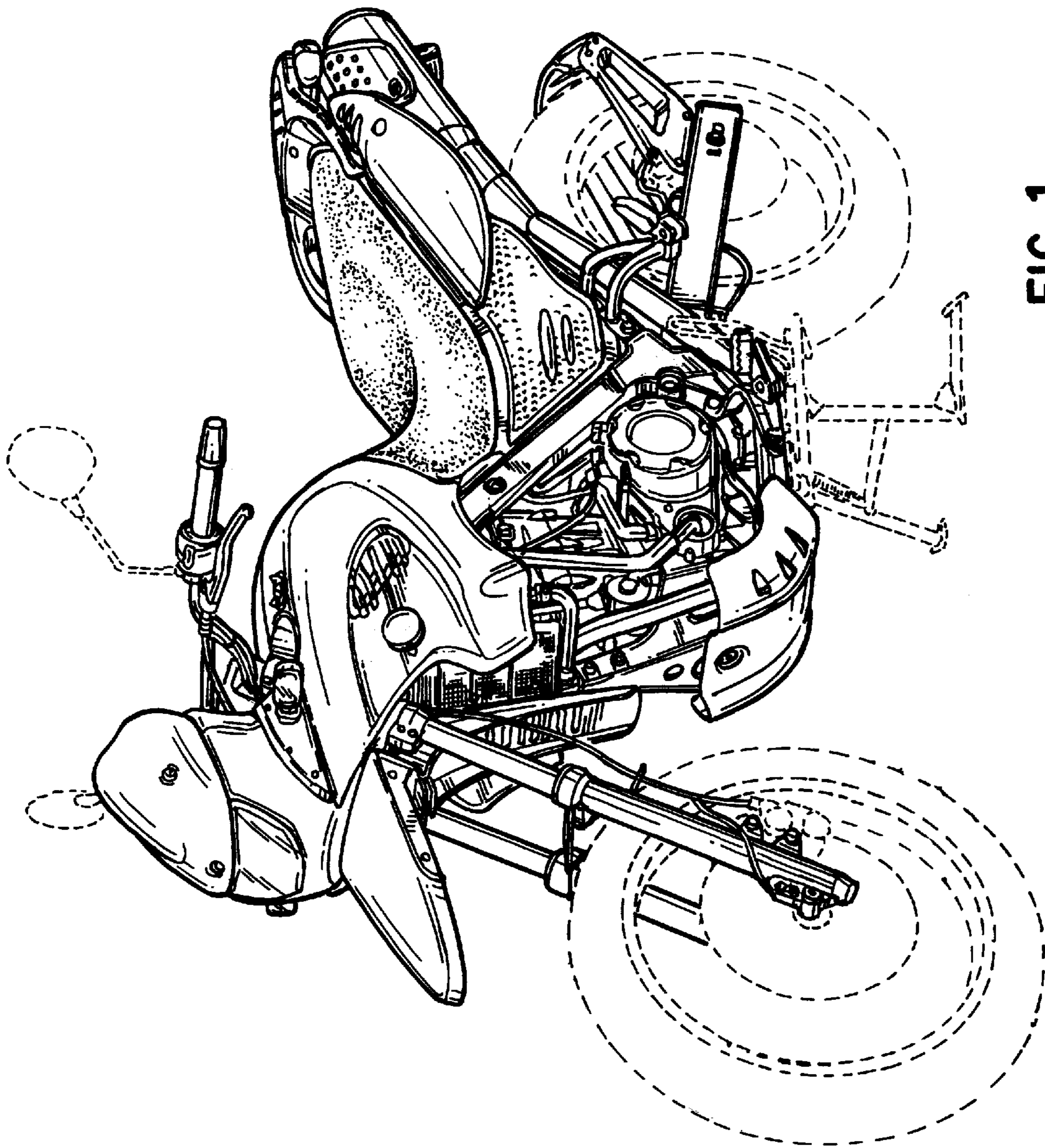


FIG. 1

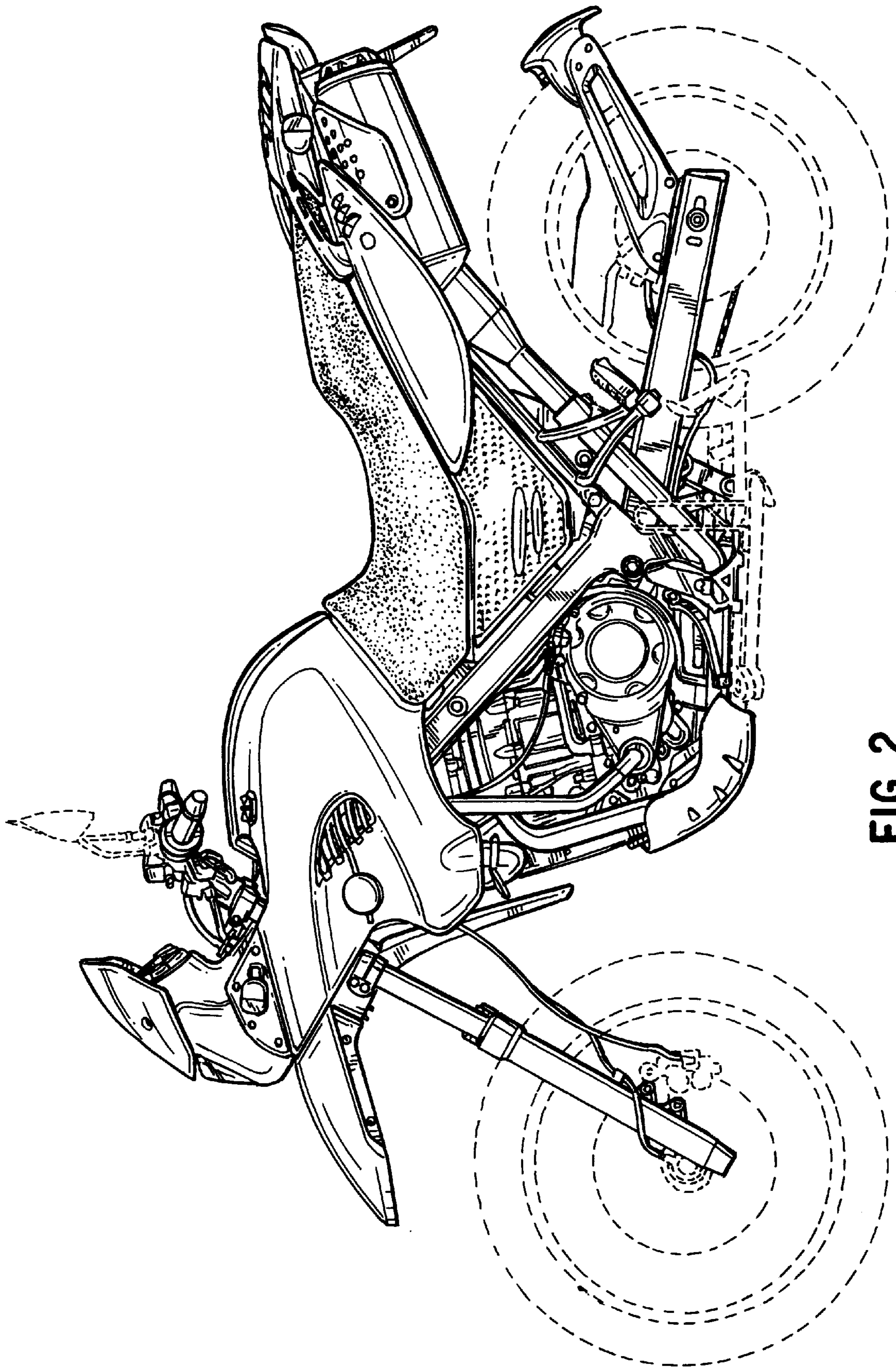


FIG. 2

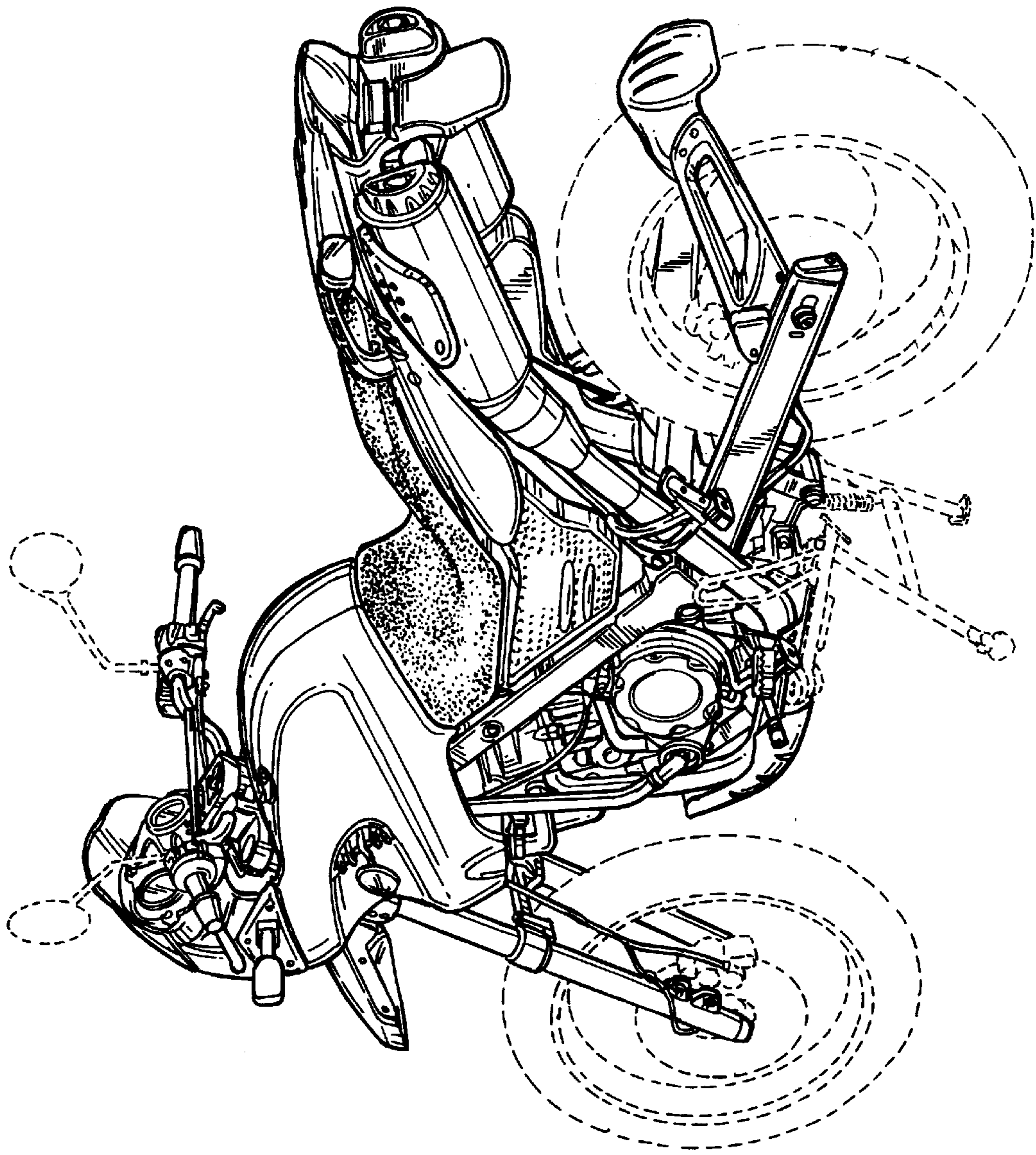


FIG. 3

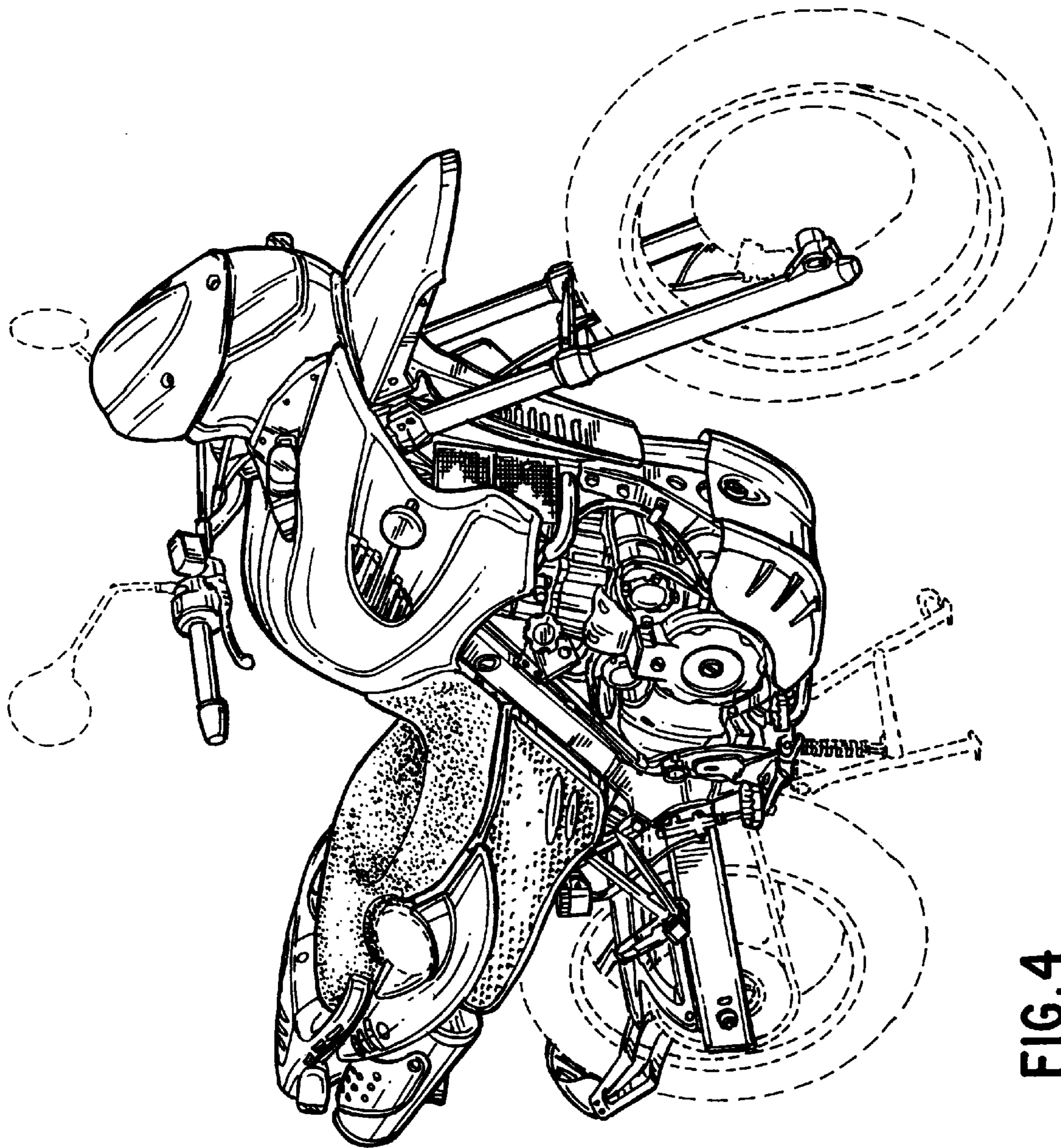


FIG. 4

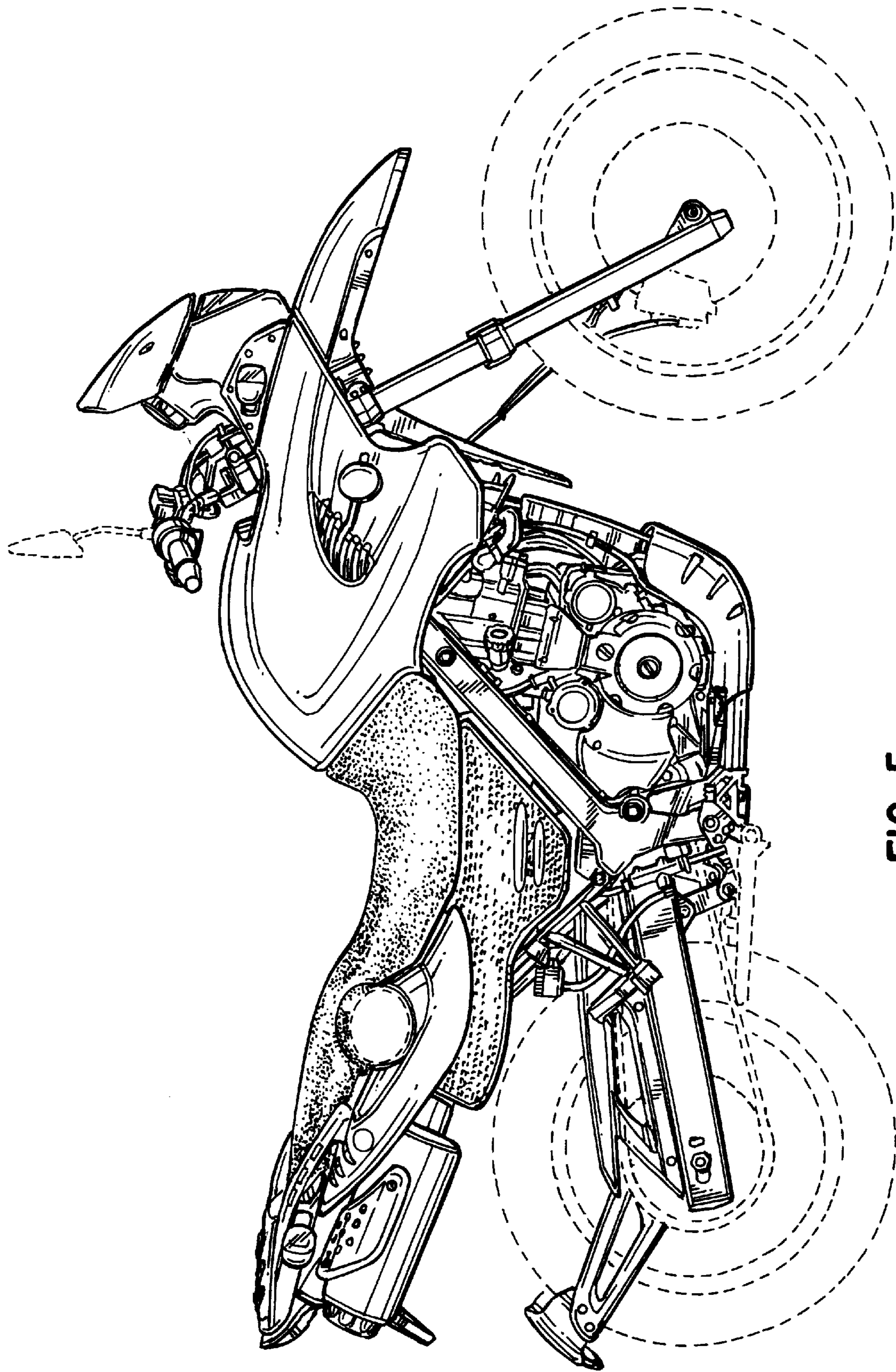


FIG. 5

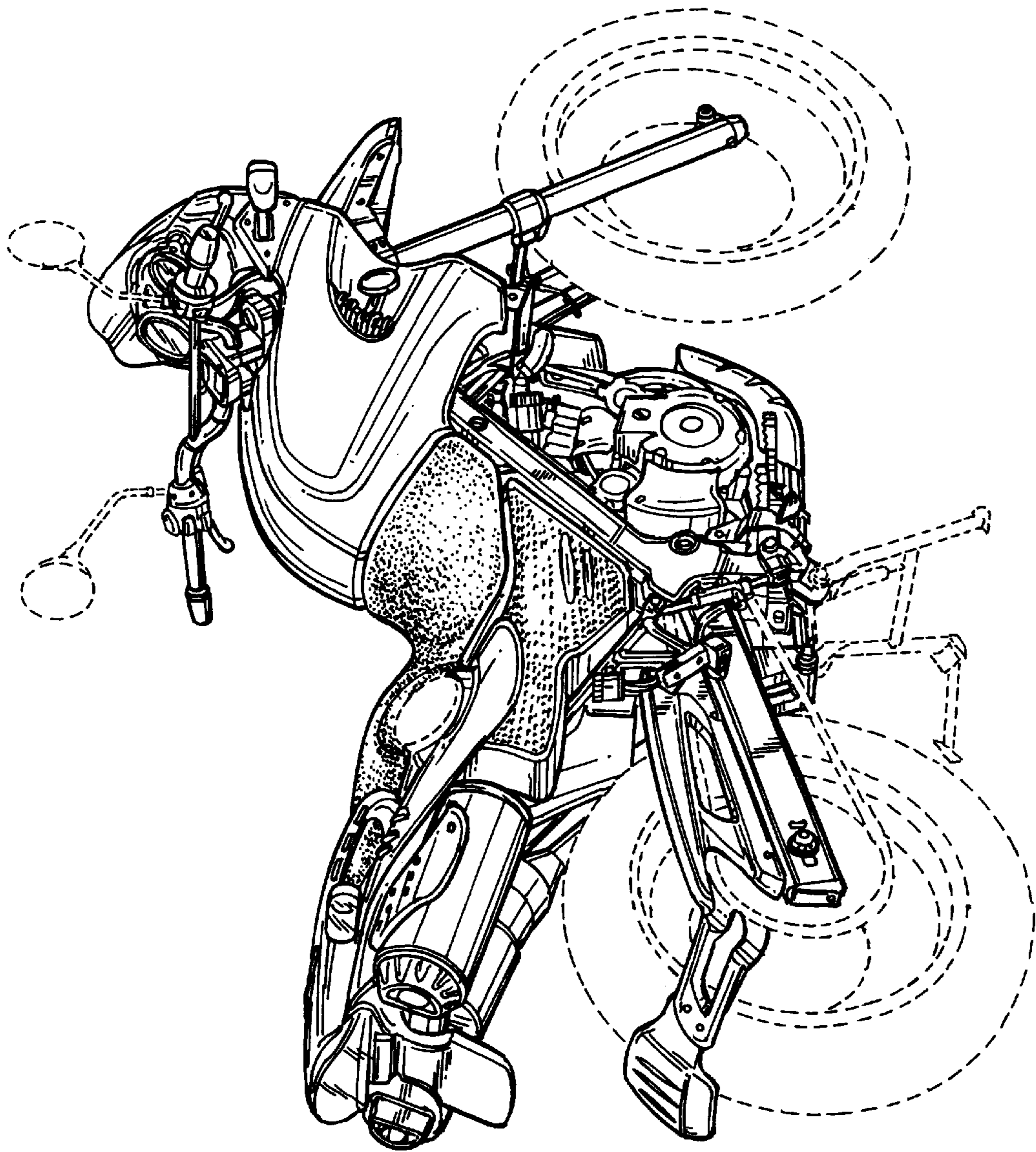
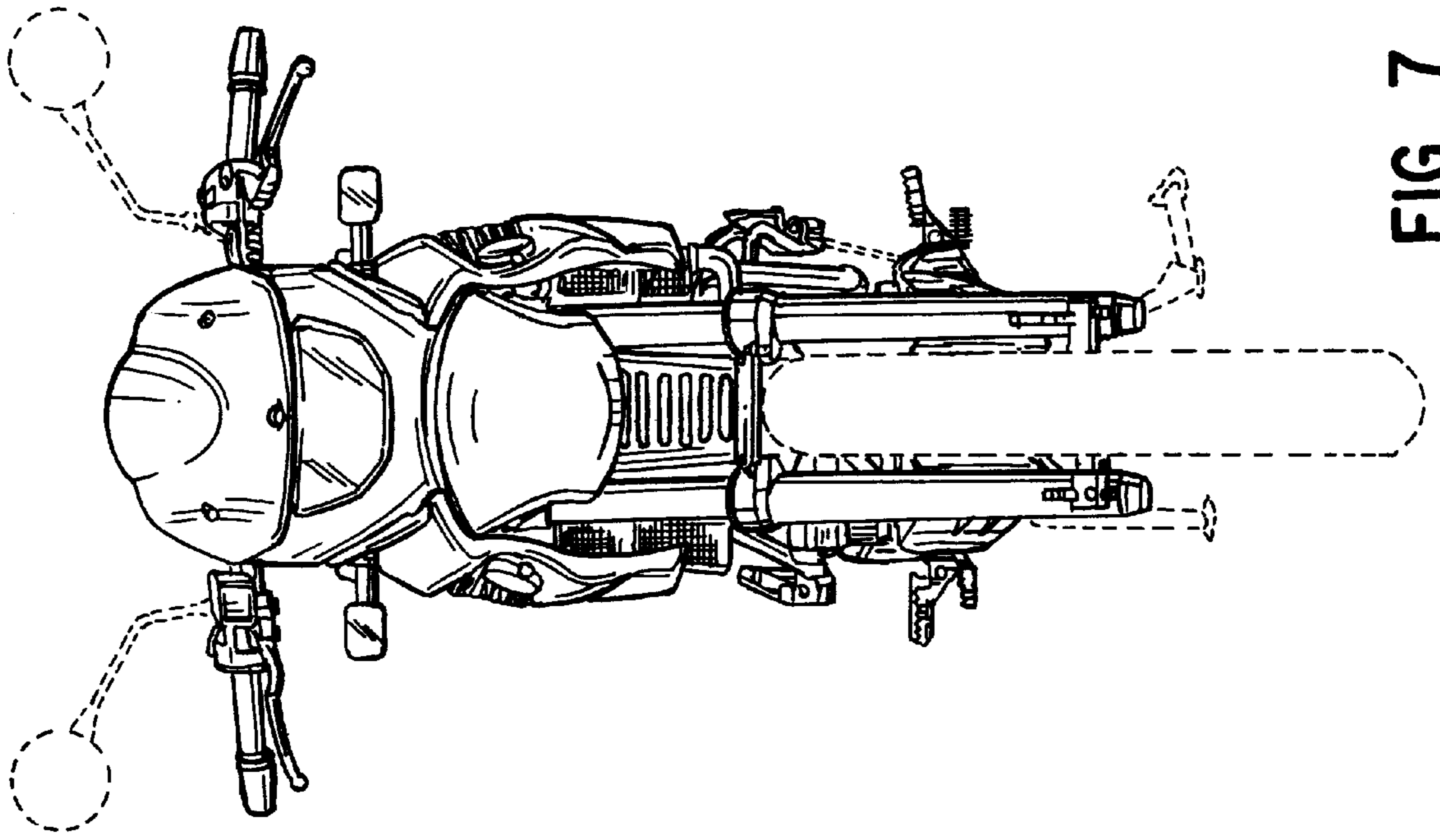
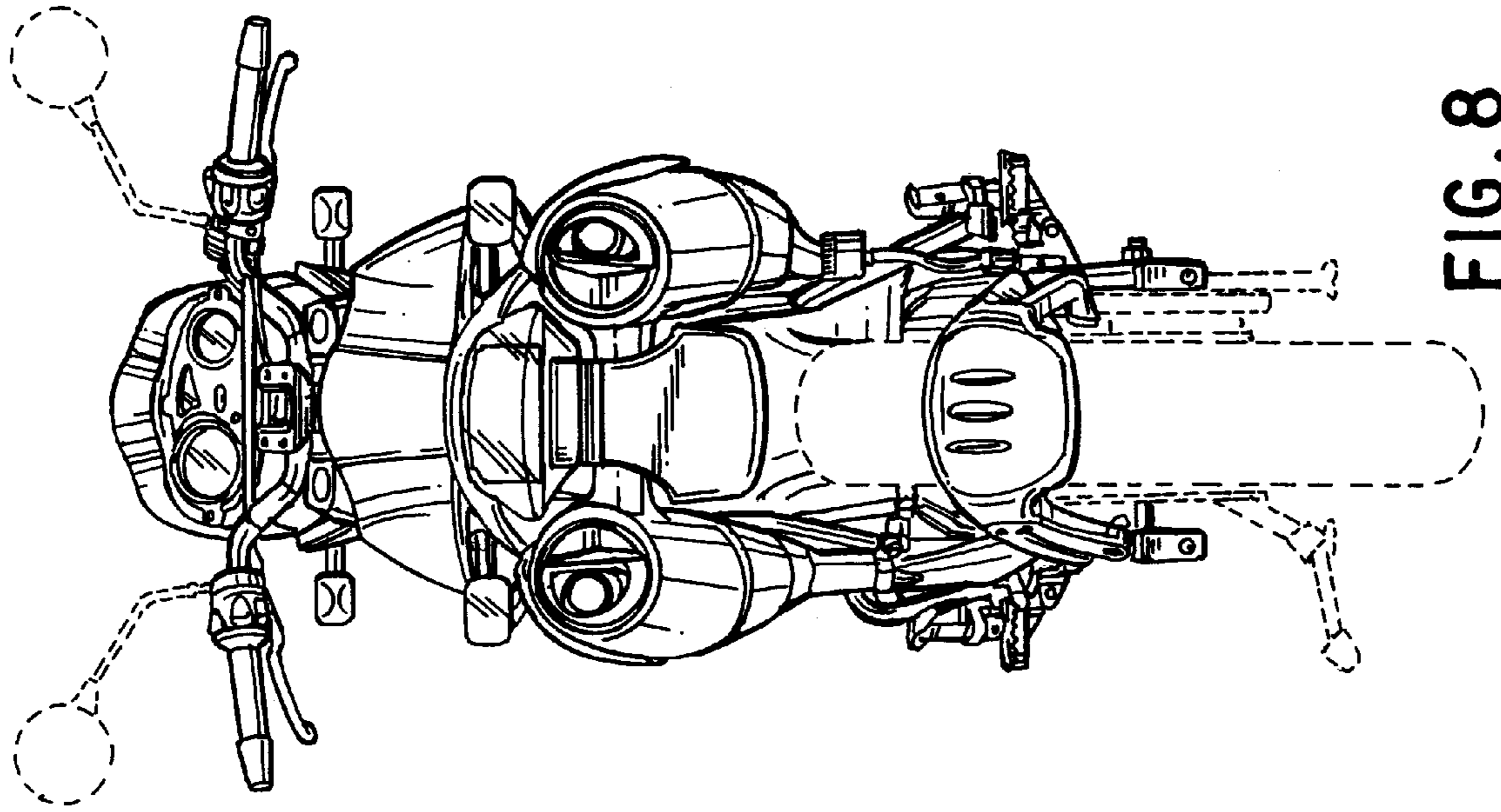


FIG. 6



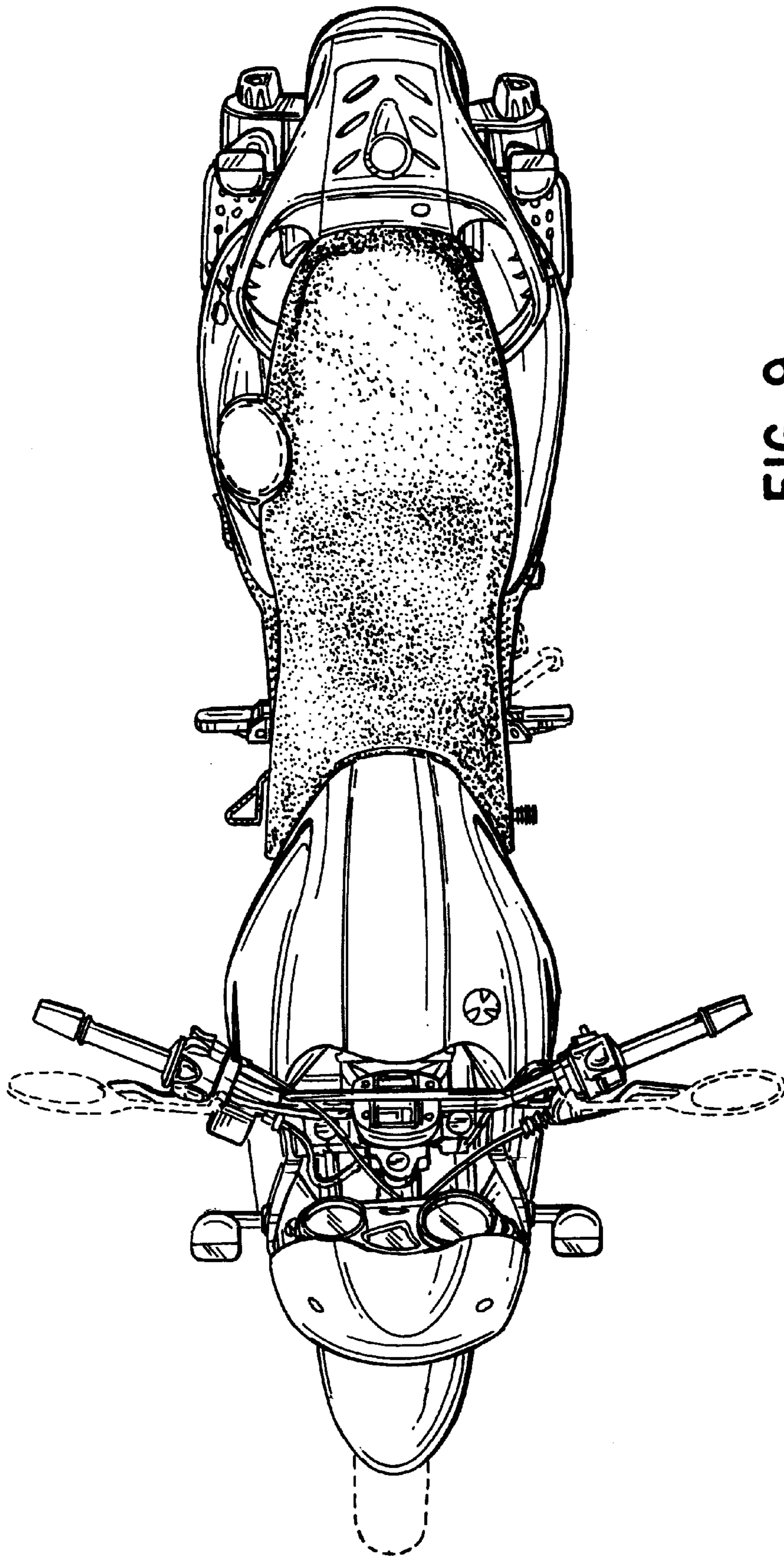


FIG. 9