



US00D437260S

(12) **United States Design Patent**
Edgeller et al.

(10) **Patent No.:** **US D437,260 S**

(45) **Date of Patent:** **** Feb. 6, 2001**

(54) **ENCLOSURE MODULE FOR A PORTABLE MACHINE**

(75) Inventors: **Peter Edgeller**, Southport; **Jamie R. Wilson**, Blackpool, both of (GB)

(73) Assignee: **Ingersoll-Rand Company**, Woodcliff Lake, NJ (US)

(**) Term: **14 Years**

(21) Appl. No.: **29/116,208**

(22) Filed: **Dec. 29, 1999**

Related U.S. Application Data

(63) Continuation-in-part of application No. 29/095,403, filed on Oct. 22, 1998, now abandoned.

(30) **Foreign Application Priority Data**

Jul. 24, 1998 (GB) 2076332

(51) **LOC (7) Cl.** **12-10**

(52) **U.S. Cl.** **D12/102**

(58) **Field of Search** D12/102, 101;
280/656, 789, 482, 63, 763.1; 296/173

(56) **References Cited**

U.S. PATENT DOCUMENTS

D. 58,917	9/1921	Labourdette .	
D. 58,918	9/1921	Labourdette .	
D. 91,938	4/1934	Goin et al. .	
D. 100,485	7/1936	Broomall .	
D. 144,748	5/1946	Weissberg	D14/3
D. 376,774	* 12/1996	Shikado et al.	D12/102
D. 389,439	1/1998	Friedrich	D12/102
D. 389,785	* 1/1998	Guzak	D12/102
D. 391,526	3/1998	Kass et al.	D12/102
D. 396,668	8/1998	Ewald	D12/101
D. 405,727	* 2/1999	Ewald	D12/101
2,033,731	2/1936	Nallinger	180/54
2,157,793	5/1939	Lang	280/153
2,197,503	4/1940	Martin	123/119
2,684,204	7/1954	Lamb	237/12.3
2,881,860	4/1959	Ternes	183/62

2,894,783	7/1959	Bird	296/23
2,964,349	12/1960	Pickering, Jr. et al.	296/16
3,143,373	8/1964	Fordyce	296/107
4,211,337	7/1980	Weavers et al.	220/341
4,216,990	8/1980	Musgrove et al.	296/213
4,372,568	2/1983	Campbell	280/63
4,396,208	8/1983	Koch	280/31
4,420,057	12/1983	Omote et al.	180/54 A
4,502,725	3/1985	Wiant	296/181

(List continued on next page.)

FOREIGN PATENT DOCUMENTS

0 155 874 A1	9/1985	(EP) .
1 088 454	10/1967	(GB) .
1 305 655	2/1973	(GB) .
2179 594	8/1987	(GB) .
WO 96/00667		
A1	1/1996	(WO) .
WO 98/12100		
A1	3/1998	(WO) .

Primary Examiner—Melody N. Brown

(74) *Attorney, Agent, or Firm*—Michael M. Gnibus

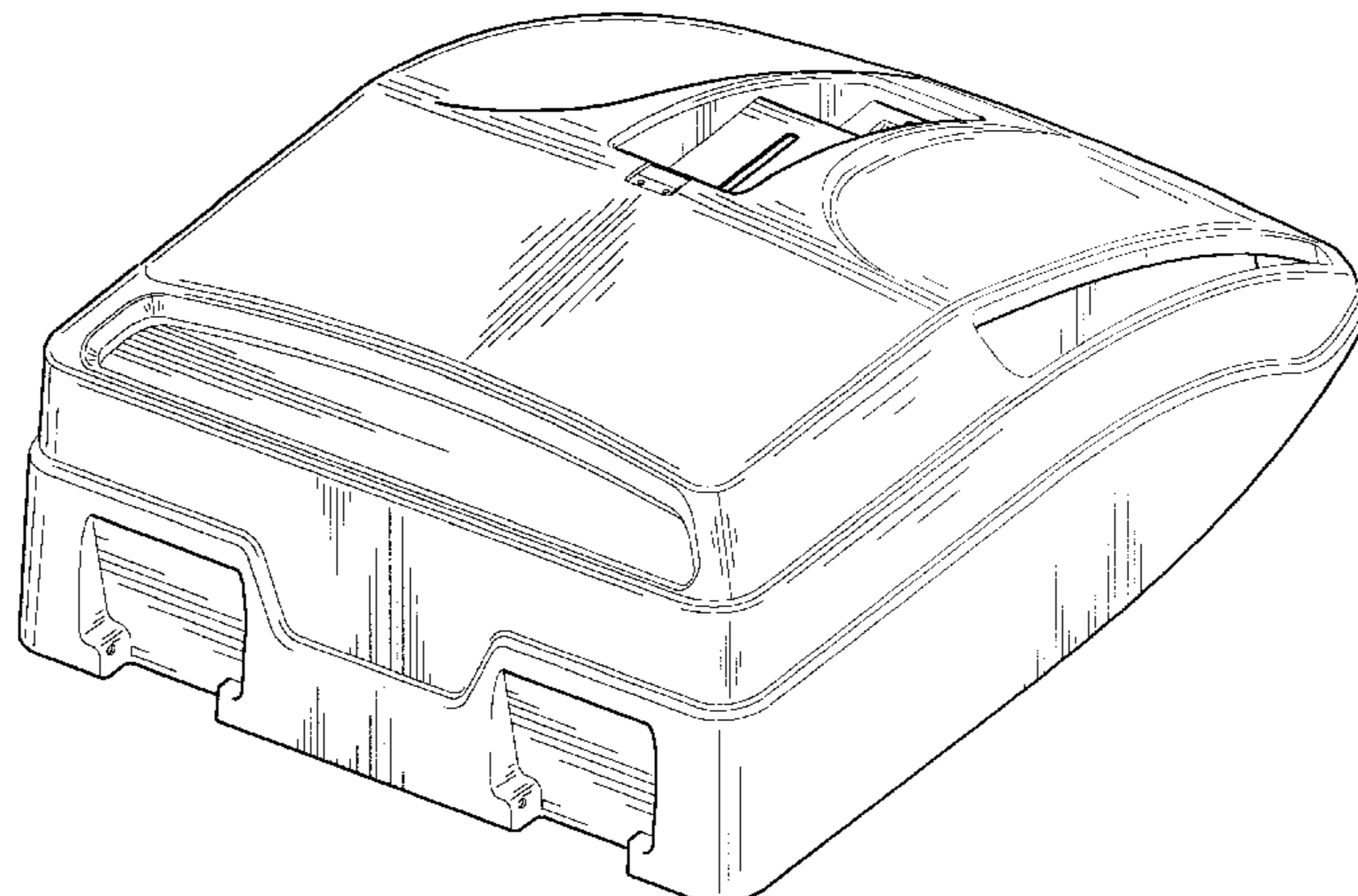
(57) **CLAIM**

The ornamental design for an enclosure module for a portable machine, as shown and described.

DESCRIPTION

FIG. 1 is a perspective view of an enclosure module for a portable machine according to the present invention; FIG. 2 is a top view of the enclosure module for a portable machine shown in FIG. 1, the bottom being unornamental; FIG. 3 is a left side view of the enclosure module for a portable machine shown in FIG. 1; FIG. 4 is a right side view of the enclosure module for a portable machine shown in FIG. 1; FIG. 5 is a front view of the enclosure module for a portable machine shown in FIG. 1; and, FIG. 6 is a rear view of the enclosure module for a portable machine shown in FIG. 1.

1 Claim, 2 Drawing Sheets



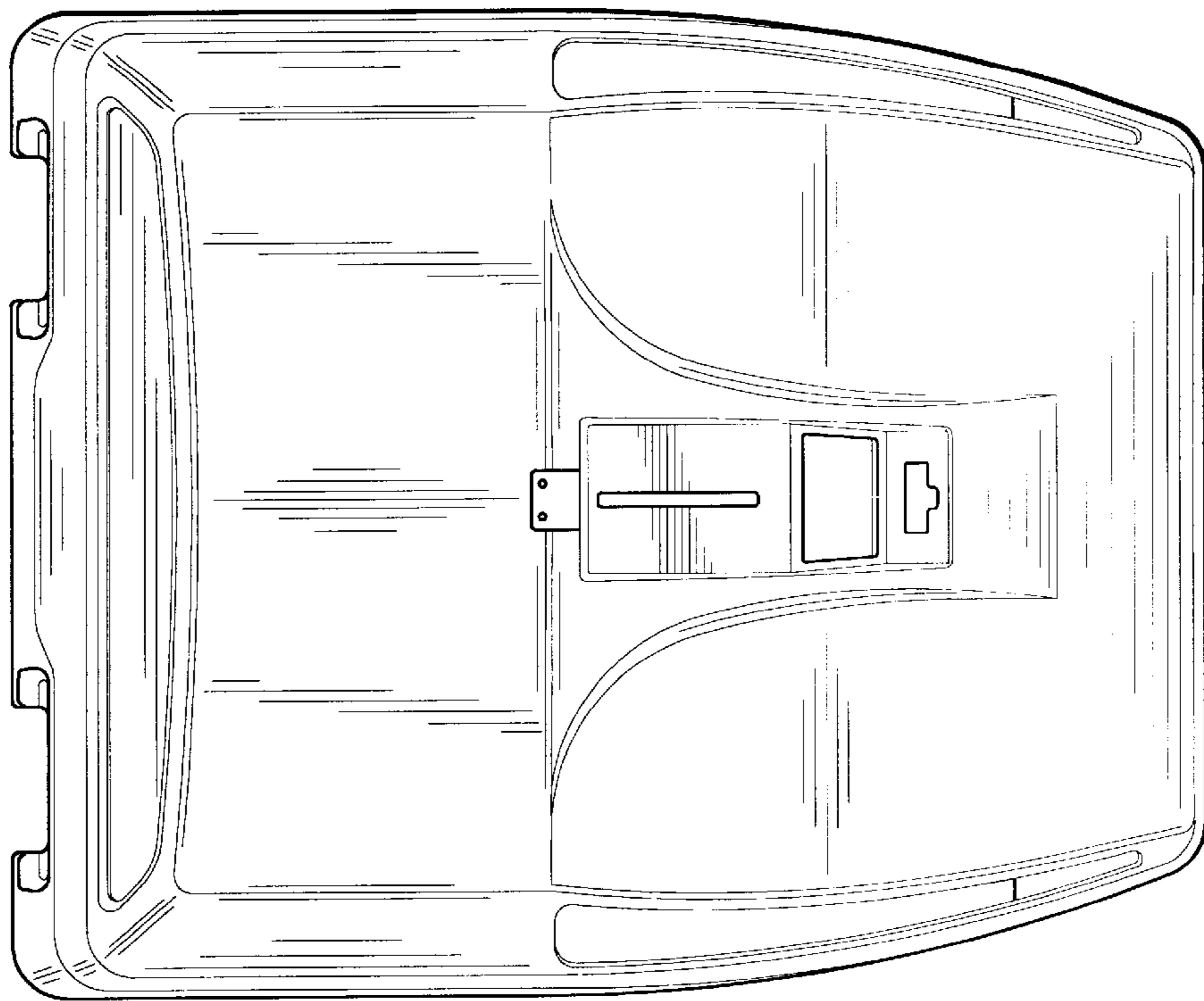
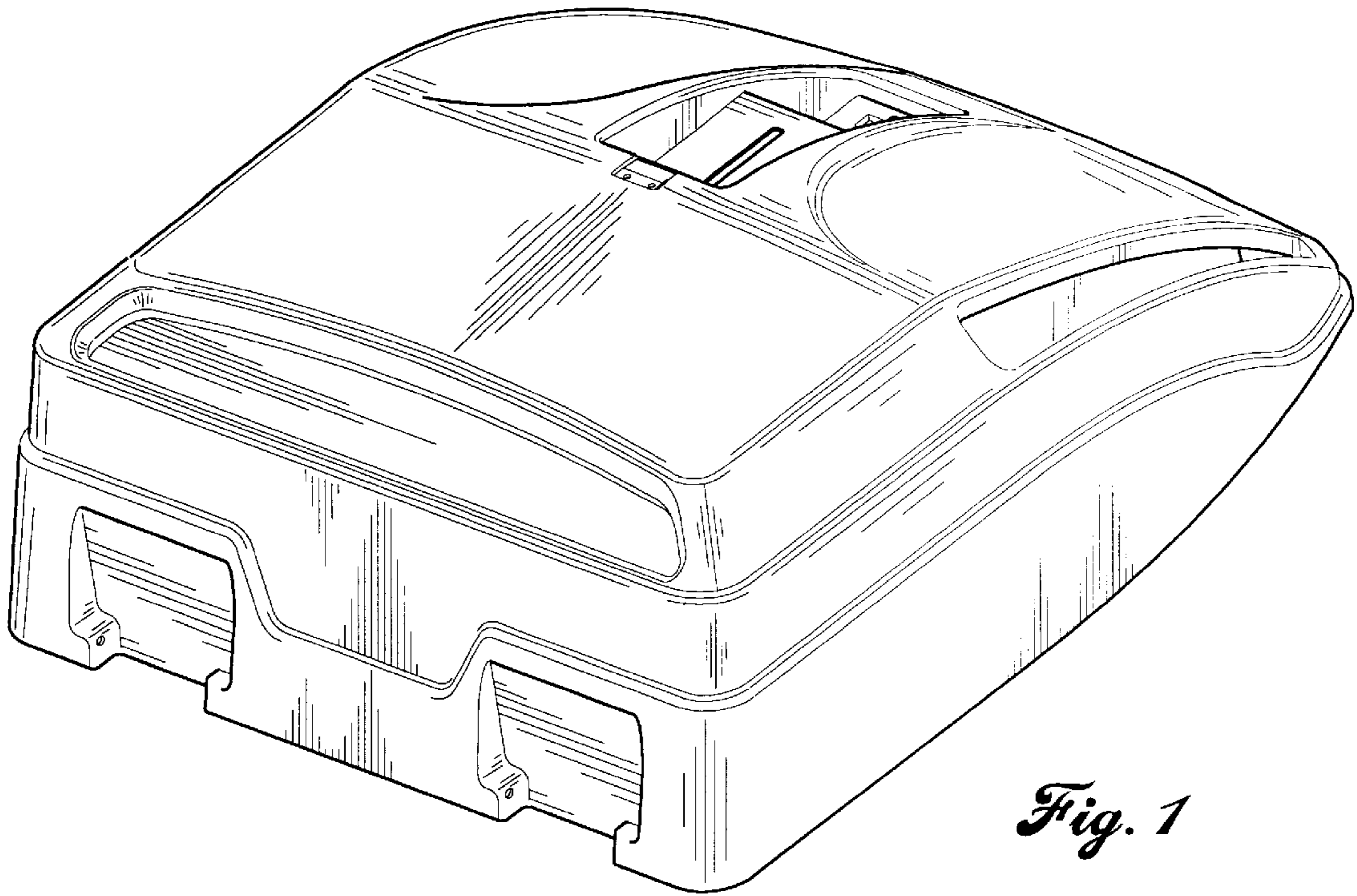
US D437,260 S

Page 2

U.S. PATENT DOCUMENTS

4,537,441	8/1985	McCleariy	296/181	5,417,465	5/1995	Koppenstein et al.	296/39.1
4,615,464	10/1986	Byrns	220/469	5,518,262	5/1996	Hutchinson	280/475
4,681,178	7/1987	Brown	180/68.3	5,527,081	6/1996	Rausch et al.	296/107
4,690,204	9/1987	Reichel et al.	165/44	5,632,522	5/1997	Gaitan et al.	296/100
4,828,132	5/1989	Francis, Jr. et al.	220/6	5,653,494	8/1997	Cleall et al.	296/182
4,932,490	6/1990	Dewey	180/68.3	5,673,956	10/1997	Emery	276/39.2
4,982,971	1/1991	Marin	280/30	5,681,074	10/1997	Christensen	296/181
5,088,616	2/1992	Susko et al.	220/343	5,725,272	3/1998	Jones	296/208
5,178,435	1/1993	Anderson	296/208	5,741,390	4/1998	Schmuck et al.	156/280

* cited by examiner



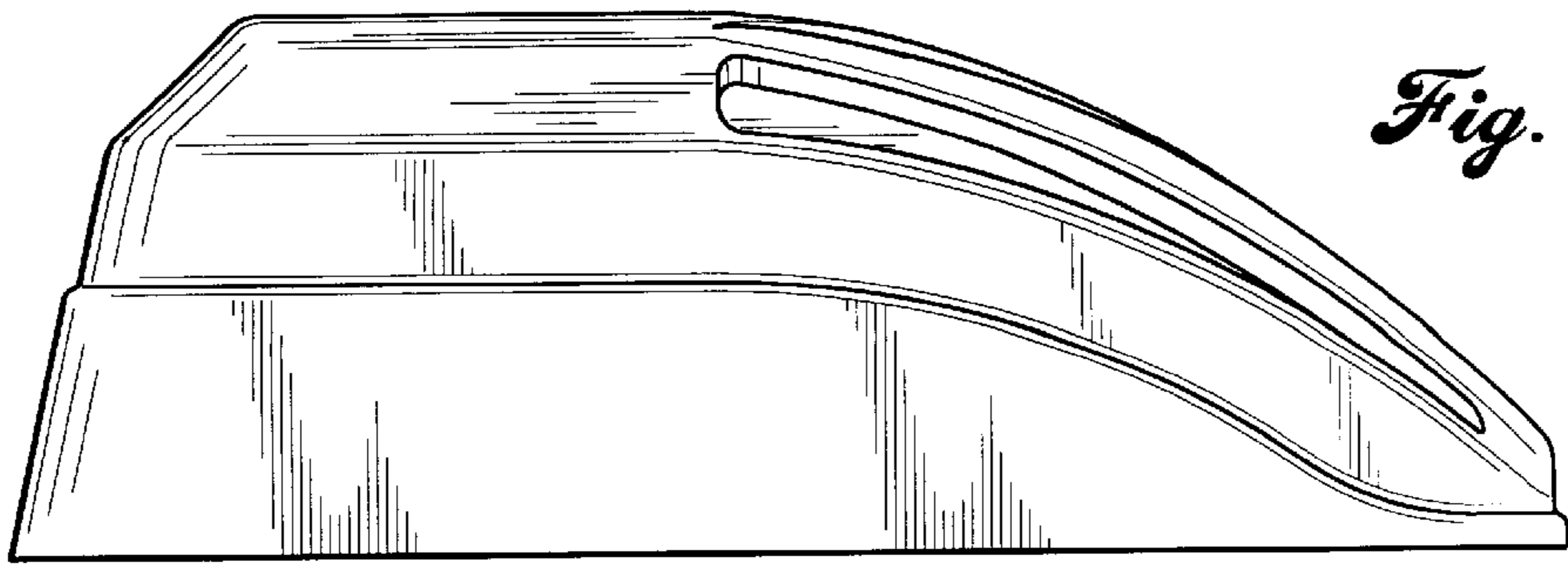


Fig. 3

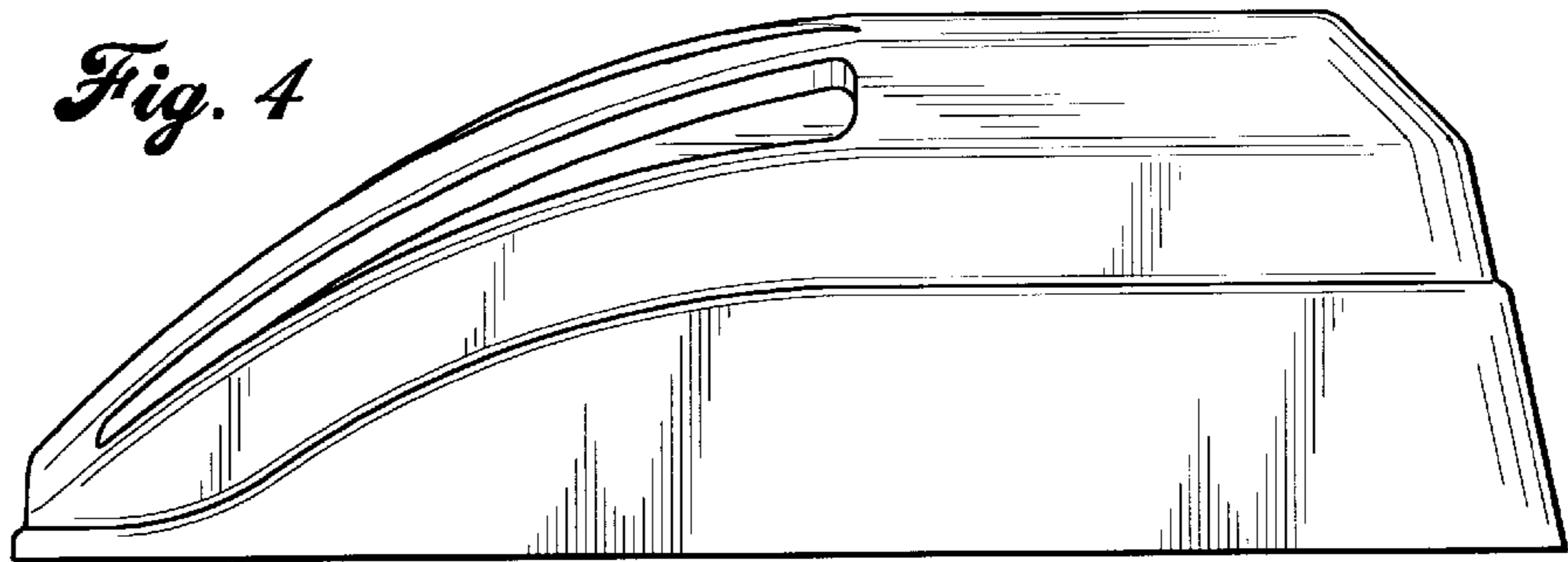


Fig. 4

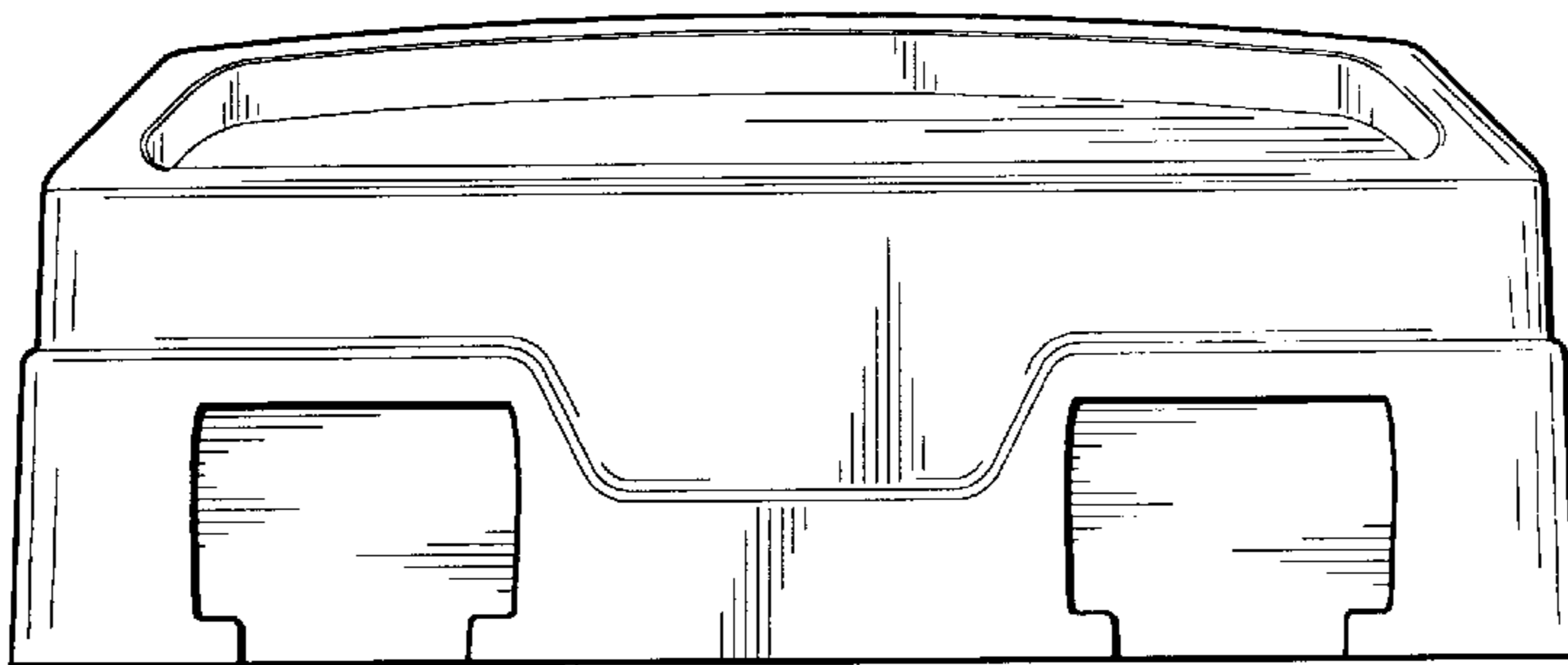


Fig. 5

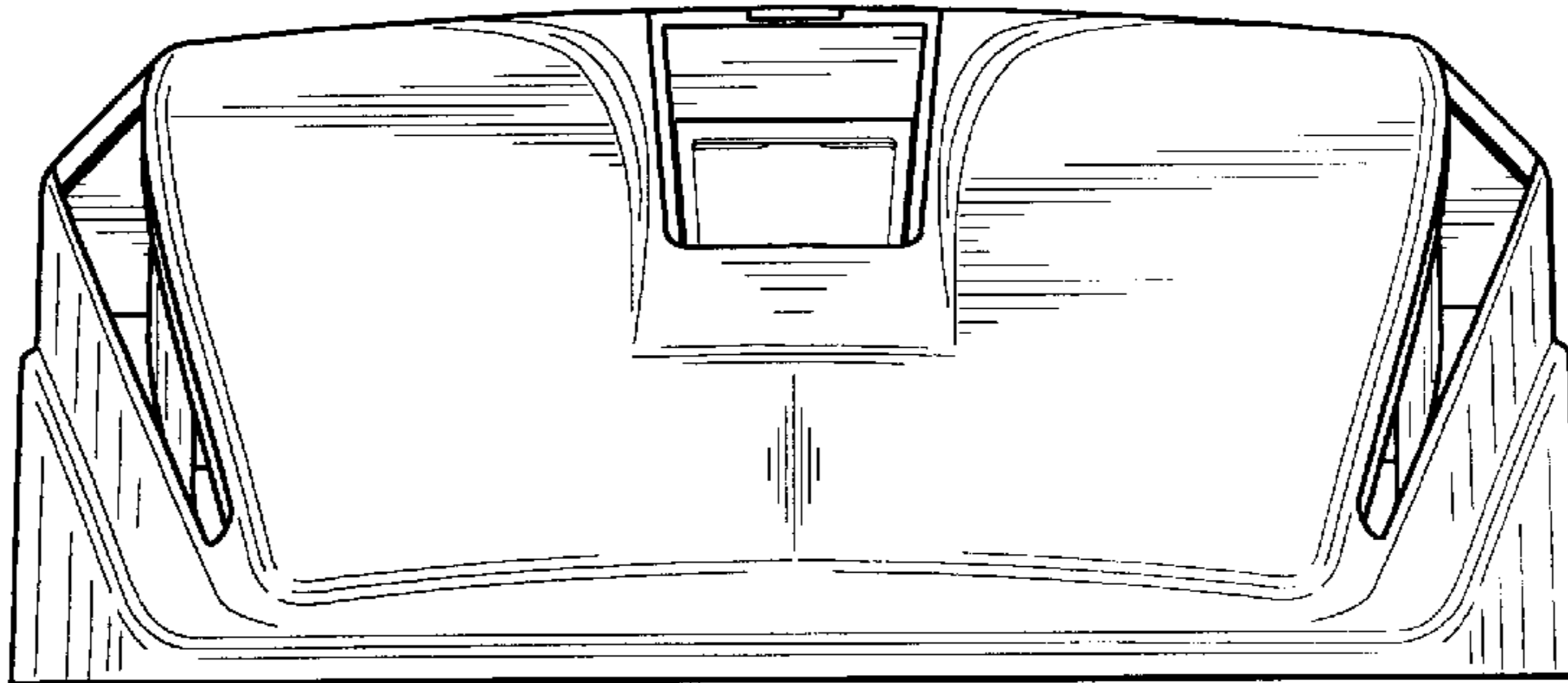


Fig. 6